



US00D790638S

(12) **United States Design Patent**
Kuo

(10) **Patent No.:** **US D790,638 S**

(45) **Date of Patent:** **** Jun. 27, 2017**

- (54) **TOY BRICK**
- (71) Applicant: **Mei-Tsu Lin**, New Taipei (TW)
- (72) Inventor: **Yu-Chin Kuo**, New Taipei (TW)
- (73) Assignee: **Mei-Tsu Lin**, New Taipei (TW)
- (**) Term: **15 Years**
- (21) Appl. No.: **29/546,880**
- (22) Filed: **Nov. 27, 2015**
- (51) **LOC (10) Cl.** **21-01**
- (52) **U.S. Cl.**
USPC **D21/504**
- (58) **Field of Classification Search**
USPC D21/478, 479, 484, 485-505; 446/69,
446/85, 102-128; 434/208, 259, 403;
273/153, 156, 160; 428/174
CPC A63H 33/00; A63H 33/04; A63H 33/06;
A63H 33/08; A63H 33/10; A63H 33/12;
A63H 33/14; A63F 9/0608; A63F 9/12;
G09B 1/36
See application file for complete search history.

- 4,792,319 A * 12/1988 Svagerko A63H 33/08
446/104
- 5,429,451 A * 7/1995 Pettee, Jr. E02B 3/14
404/41
- 5,527,201 A * 6/1996 Maddock A63H 33/10
446/104
- 5,653,621 A * 8/1997 Yao A63H 33/105
446/127
- D414,276 S * 9/1999 Bruno D21/488
- D437,423 S * 2/2001 Lin D25/114
- D456,462 S * 4/2002 Sorensen D21/488
- 6,676,474 B2 * 1/2004 Glickman A63H 33/101
446/120
- D588,208 S * 3/2009 Sinisi D21/502
- D759,765 S * 6/2016 Hardstaff D21/489

* cited by examiner

Primary Examiner — Cynthia M Chin

(74) *Attorney, Agent, or Firm* — Leong C. Lei

(57) **CLAIM**

The ornamental design for a toy brick, as shown and described.

DESCRIPTION

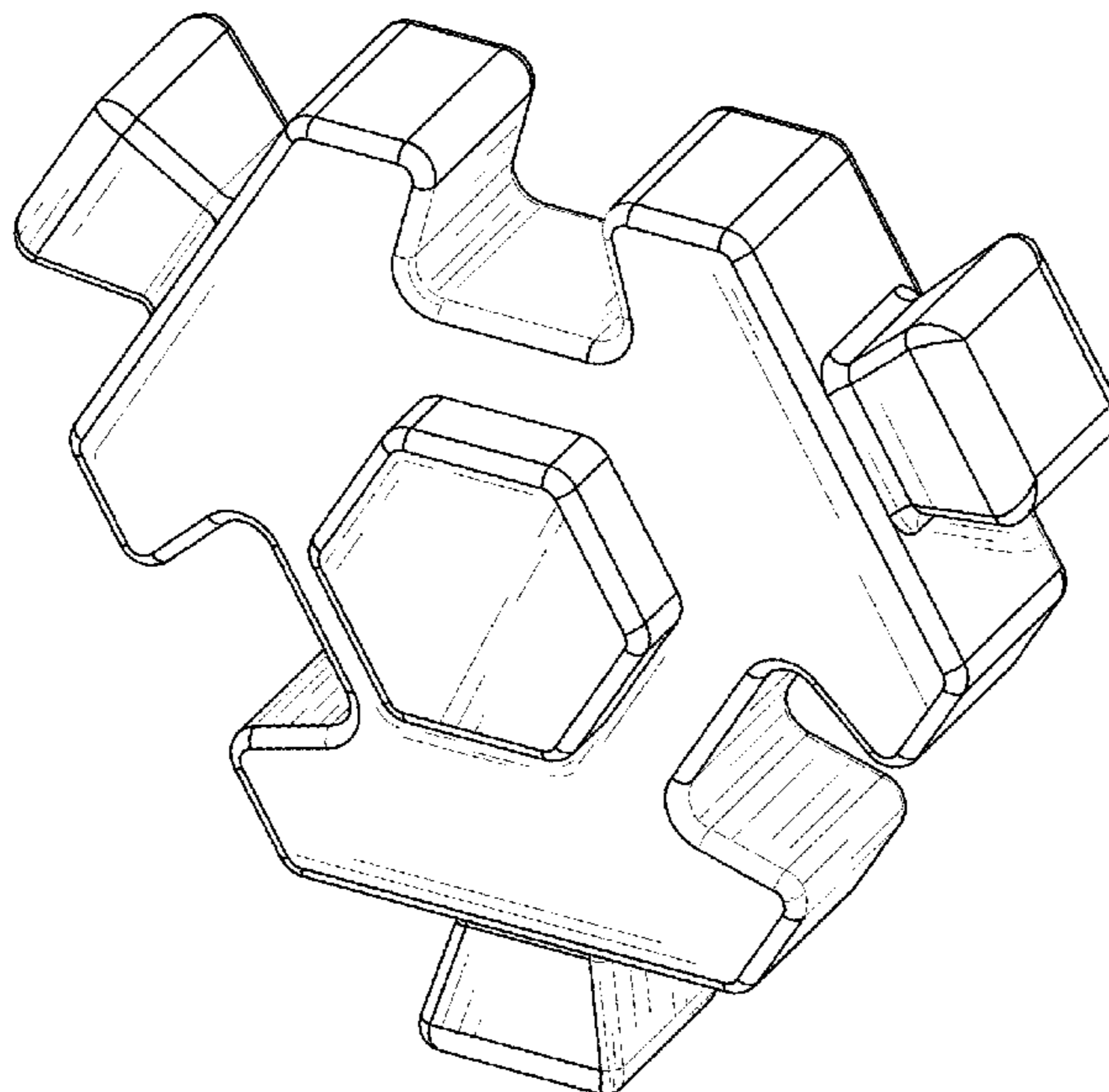
FIG. 1 is a front perspective view of a toy brick showing my new design;
 FIG. 2 is a front elevational view thereof;
 FIG. 3 is a rear elevational view thereof;
 FIG. 4 is a left side elevational view thereof;
 FIG. 5 is a right side elevational view thereof;
 FIG. 6 is a top plan view thereof; and,
 FIG. 7 is a bottom plan view thereof.
 The broken lines in FIG. 3 are for the purpose of illustrating portions of the article that form no part of the claim.

1 Claim, 7 Drawing Sheets

(56) **References Cited**

U.S. PATENT DOCUMENTS

- 2,633,662 A * 4/1953 Nelson A63H 33/06
446/114
- 3,310,906 A * 3/1967 Glukes A63H 33/065
446/95
- D285,463 S * 9/1986 Davis D21/502
- RE32,663 E * 5/1988 Atkinson E02B 3/14
446/124
- D297,303 S * 8/1988 Finklestein D21/489



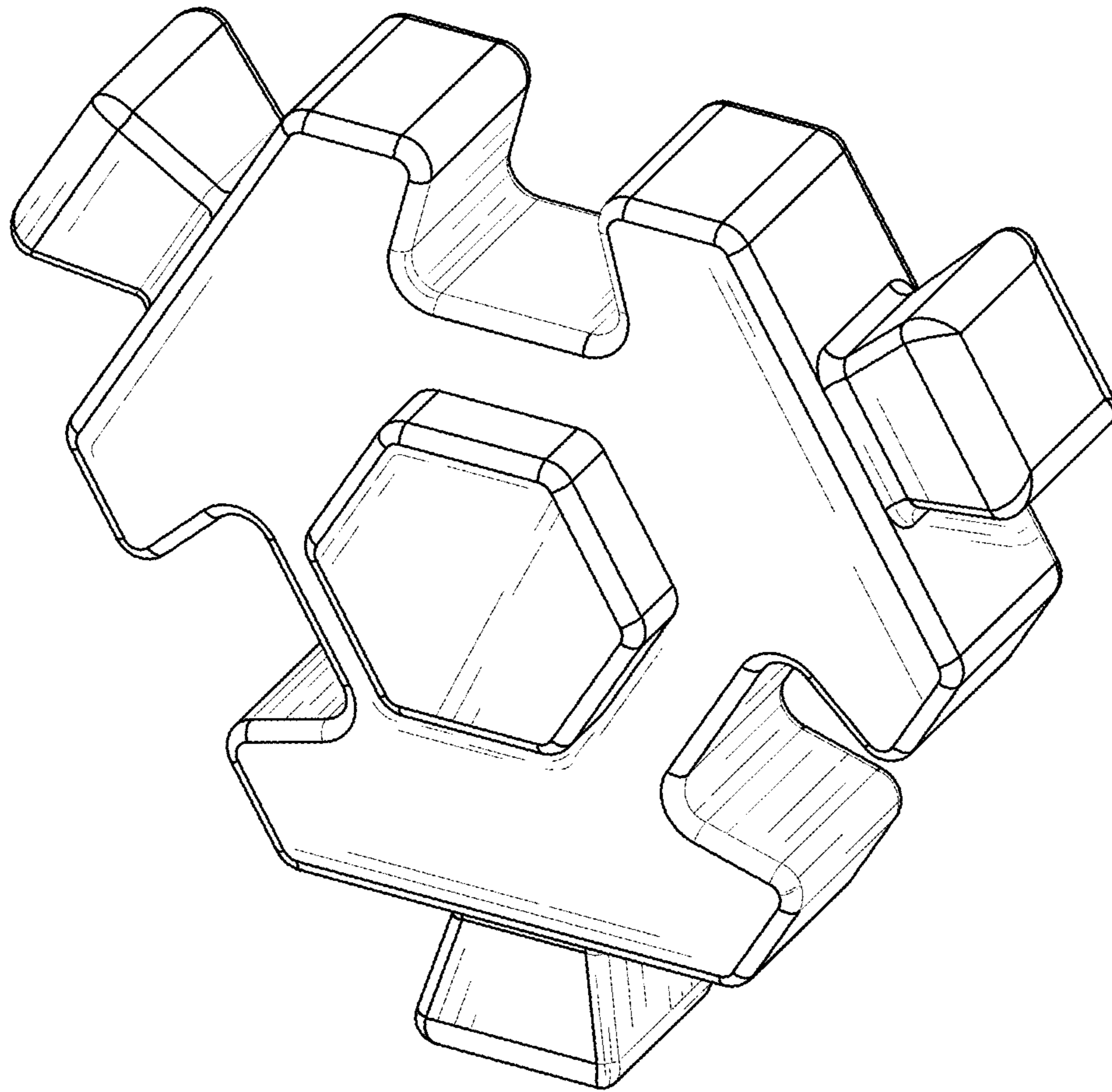


FIG. 1

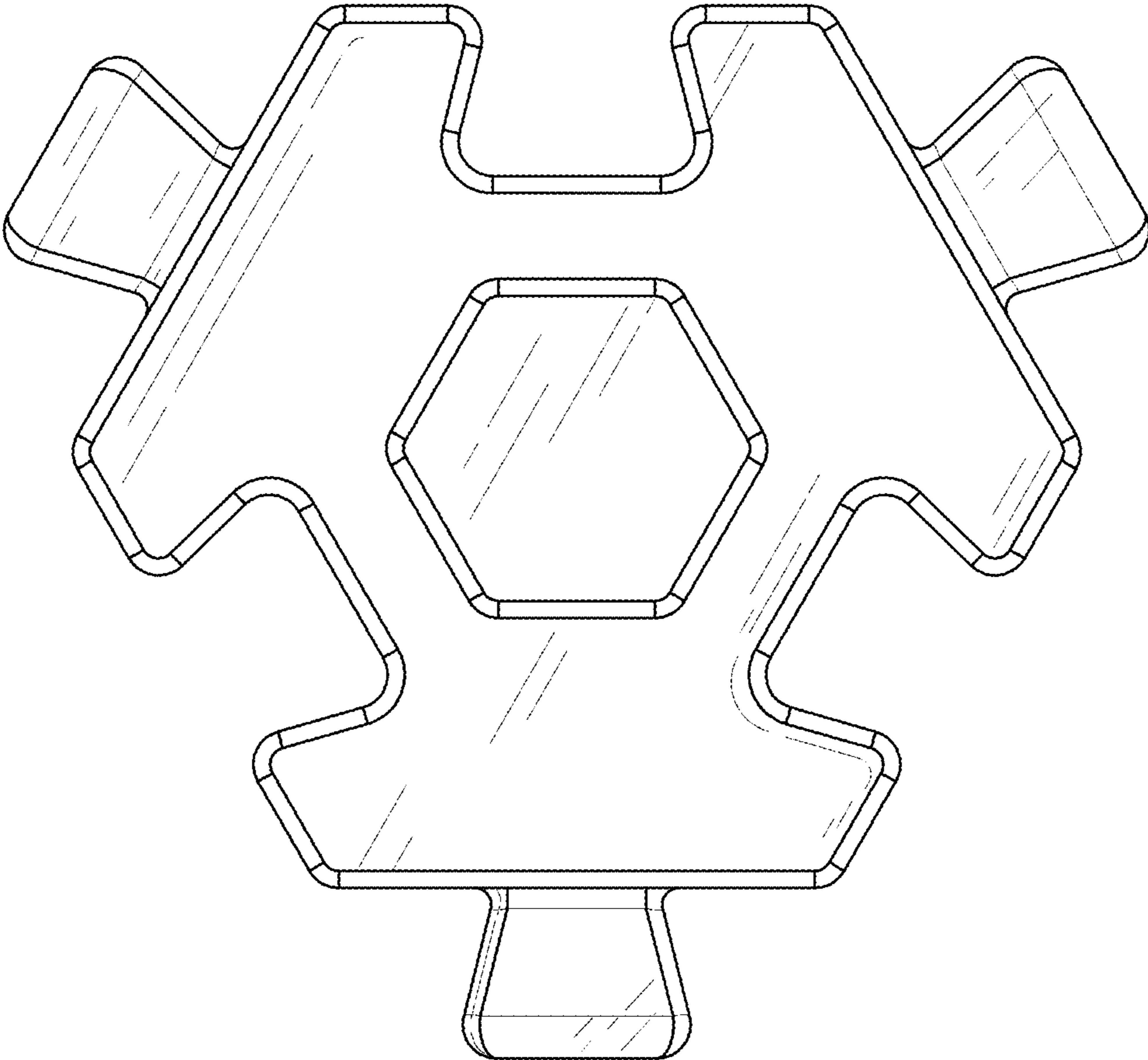


FIG. 2

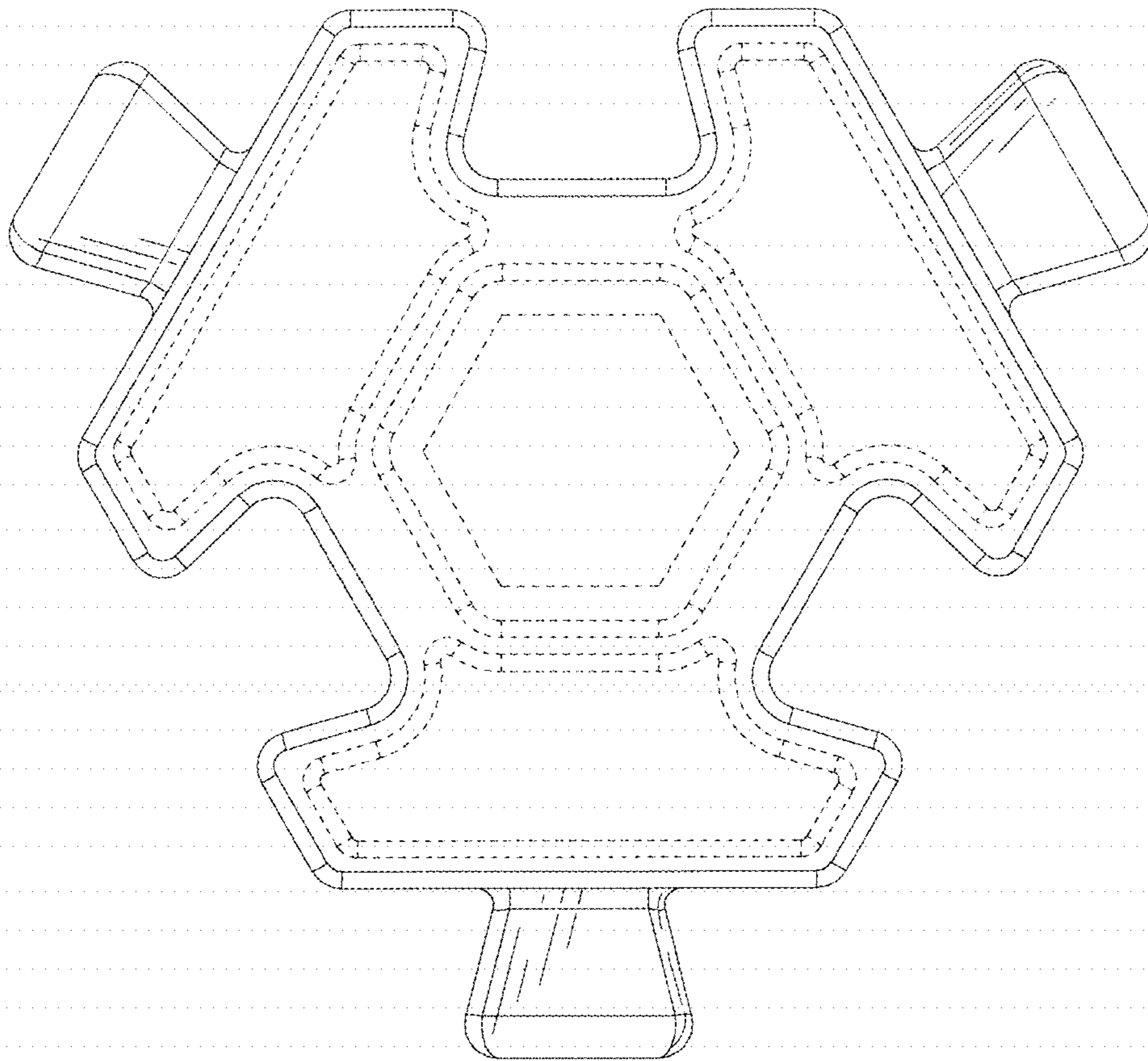


FIG 3

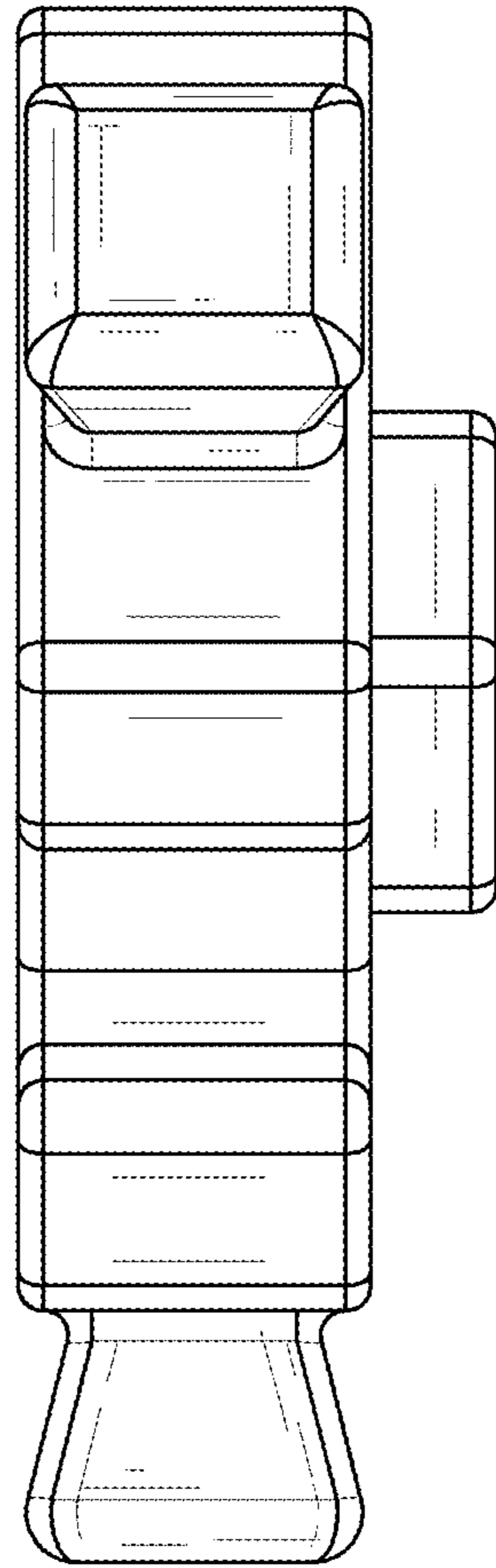


FIG. 4

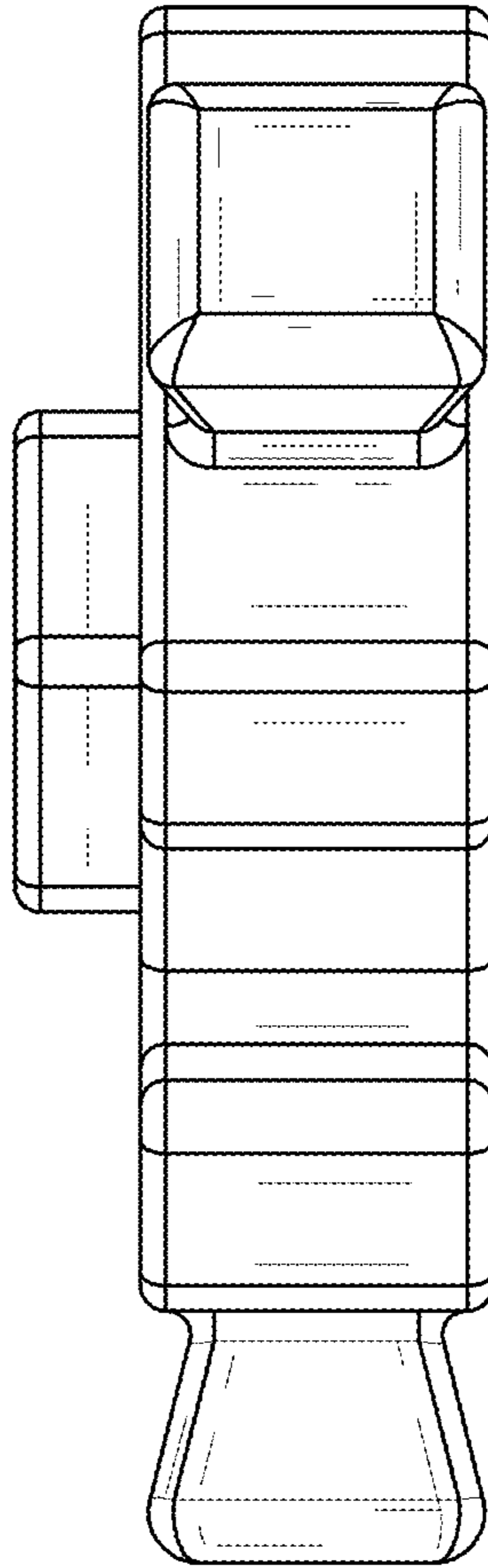


FIG. 5

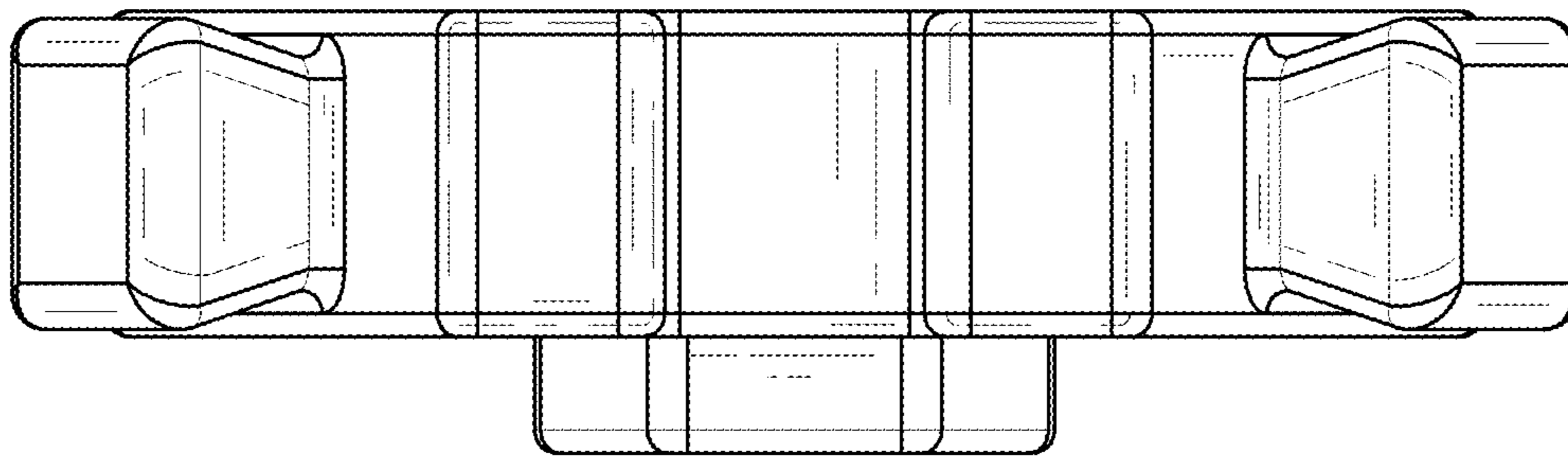


FIG. 6

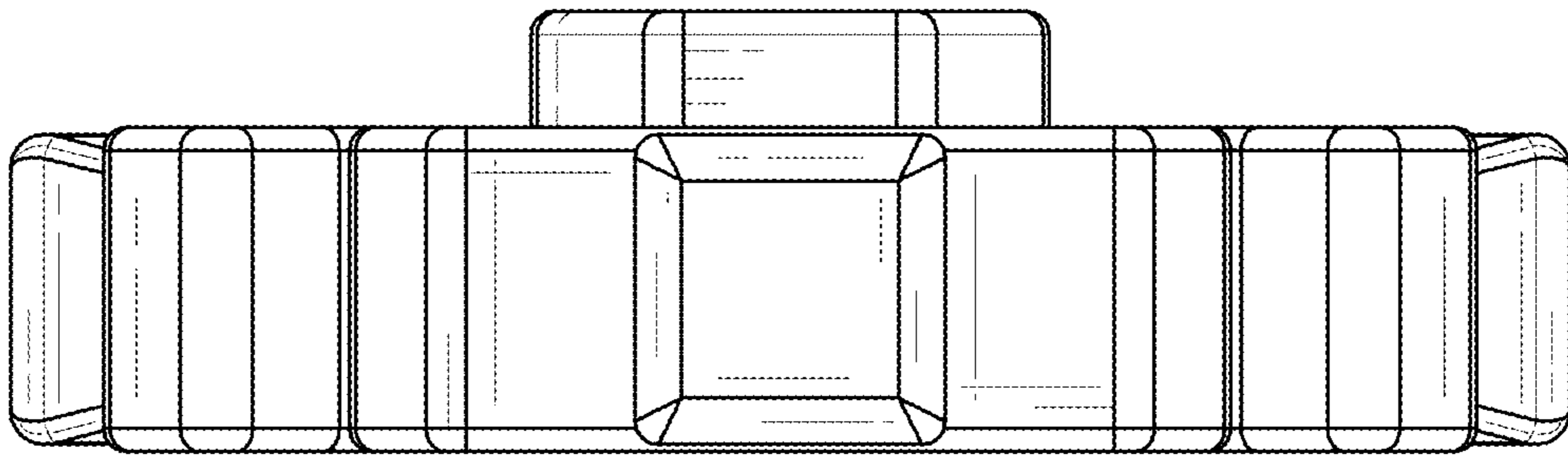


FIG. 7