



US00D790636S

(12) **United States Design Patent**  
**Horikoshi et al.**

(10) **Patent No.:** **US D790,636 S**  
(45) **Date of Patent:** **\*\* Jun. 27, 2017**

- (54) **LAUNCHING APPARATUS FOR SPINNING TOY TOP**
- (71) Applicant: **TOMY COMPANY, LTD.**, Tokyo (JP)
- (72) Inventors: **Kenji Horikoshi**, Tokyo (JP); **Makoto Muraki**, Tokyo (JP)
- (73) Assignee: **TOMY COMPANY, LTD.**, Tokyo (JP)
- (\*\*) Term: **15 Years**

D610,210	S	*	2/2010	Nishimoto	.....	D21/461
D610,211	S	*	2/2010	Nishimoto	.....	D21/461
D639,349	S	*	6/2011	Horikoshi	.....	D21/461
9,435,820	B1	*	9/2016	Muraki	.....	G01P 3/486
2009/0253504	A1	*	10/2009	Nishimoto	.....	A63F 9/16 463/31
2011/0256794	A1	*	10/2011	Horikoshi	.....	A63H 1/04 446/259
2013/0056929	A1	*	3/2013	Rehkemper	.....	A63H 33/003 273/129 R
2016/0310854	A1	*	10/2016	Kubo	.....	A63H 1/04
2016/0325190	A1	*	11/2016	Muraki	.....	A63H 1/02

- (21) Appl. No.: **29/539,878**
- (22) Filed: **Sep. 18, 2015**
- (30) **Foreign Application Priority Data**  
Mar. 20, 2015 (JP) ..... 2015-005962
- (51) **LOC (10) Cl.** ..... **21-01**
- (52) **U.S. Cl.**  
USPC ..... **D21/461**
- (58) **Field of Classification Search**  
USPC ..... D21/454, 455, 460, 461-463, 563, 566,  
D21/570; 446/39, 40, 236-266, 429, 430  
CPC ..... A63H 1/00-1/32; A63H 17/008; A63H  
27/14; A63H 29/20; A63H 29/24  
See application file for complete search history.

**FOREIGN PATENT DOCUMENTS**

CN	3315787	*	8/2003
CN	3671626	*	7/2007
CN	300742501	*	2/2008
CN	300748422	*	2/2008
CN	301457974	*	2/2011
CN	301877932	*	4/2012
CN	302606941	*	10/2013

(Continued)

*Primary Examiner* — Catherine Tuttle  
(74) *Attorney, Agent, or Firm* — Staas & Halsey LLP

(57) **CLAIM**

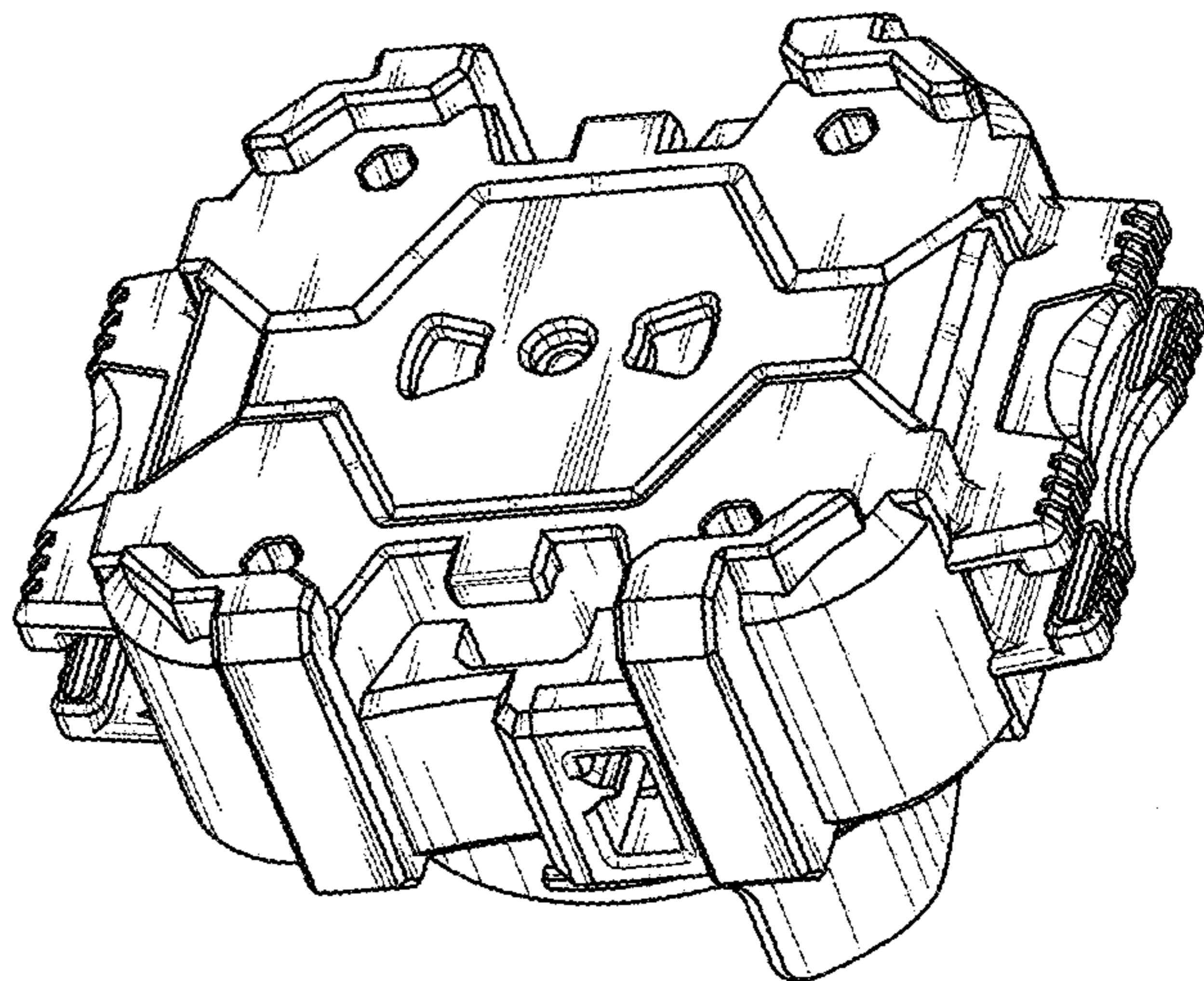
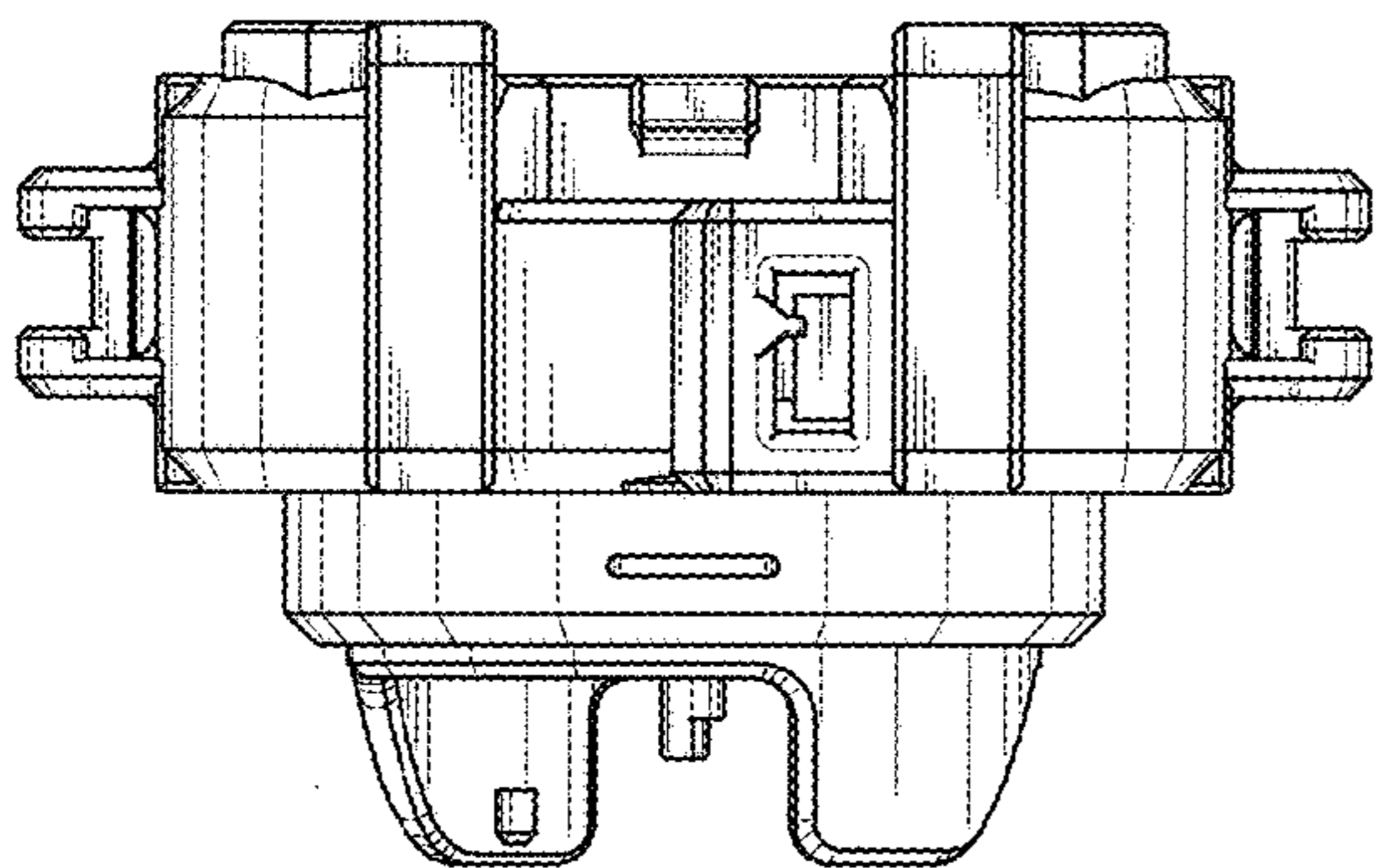
The ornamental design for a launching apparatus for spinning toy top, as shown.

**DESCRIPTION**

FIG. 1 is a bottom view of the launching apparatus for spinning toy top showing our design; FIG. 2 is a front view thereof; FIG. 3 is a left side view thereof; FIG. 4 is perspective view thereof; FIG. 5 is a rear view thereof; FIG. 6 is a right side view thereof; and, FIG. 7 is a top view thereof.

**1 Claim, 7 Drawing Sheets**

- (56) **References Cited**  
U.S. PATENT DOCUMENTS  
3,735,526 A \* 5/1973 Ensmann ..... A63H 29/24  
446/429  
4,690,654 A \* 9/1987 DeLaney ..... A63H 17/008  
124/16  
5,052,973 A \* 10/1991 Rudell ..... A63H 17/008  
124/17  
6,769,953 B1 \* 8/2004 Sutton ..... A63H 1/02  
446/256



(56)

**References Cited**

FOREIGN PATENT DOCUMENTS

JP	3142475	U	*	6/2008	.....	A63H 1/04
JP	3160157	U	*	6/2010	.....	A63H 1/04
JP	3164823	U	*	12/2010	.....	A63H 1/12
JP	D1531579		*	8/2015		

\* cited by examiner

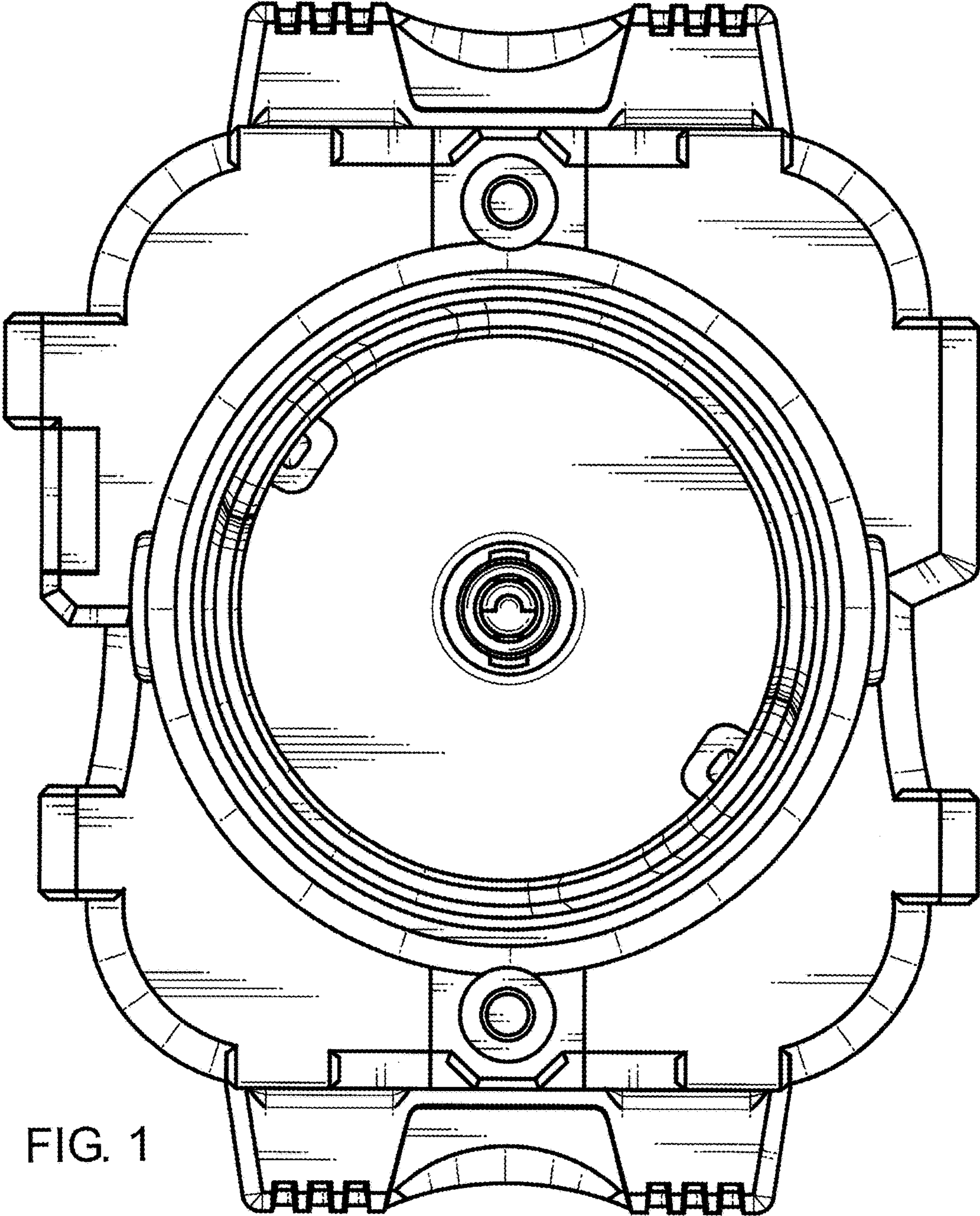
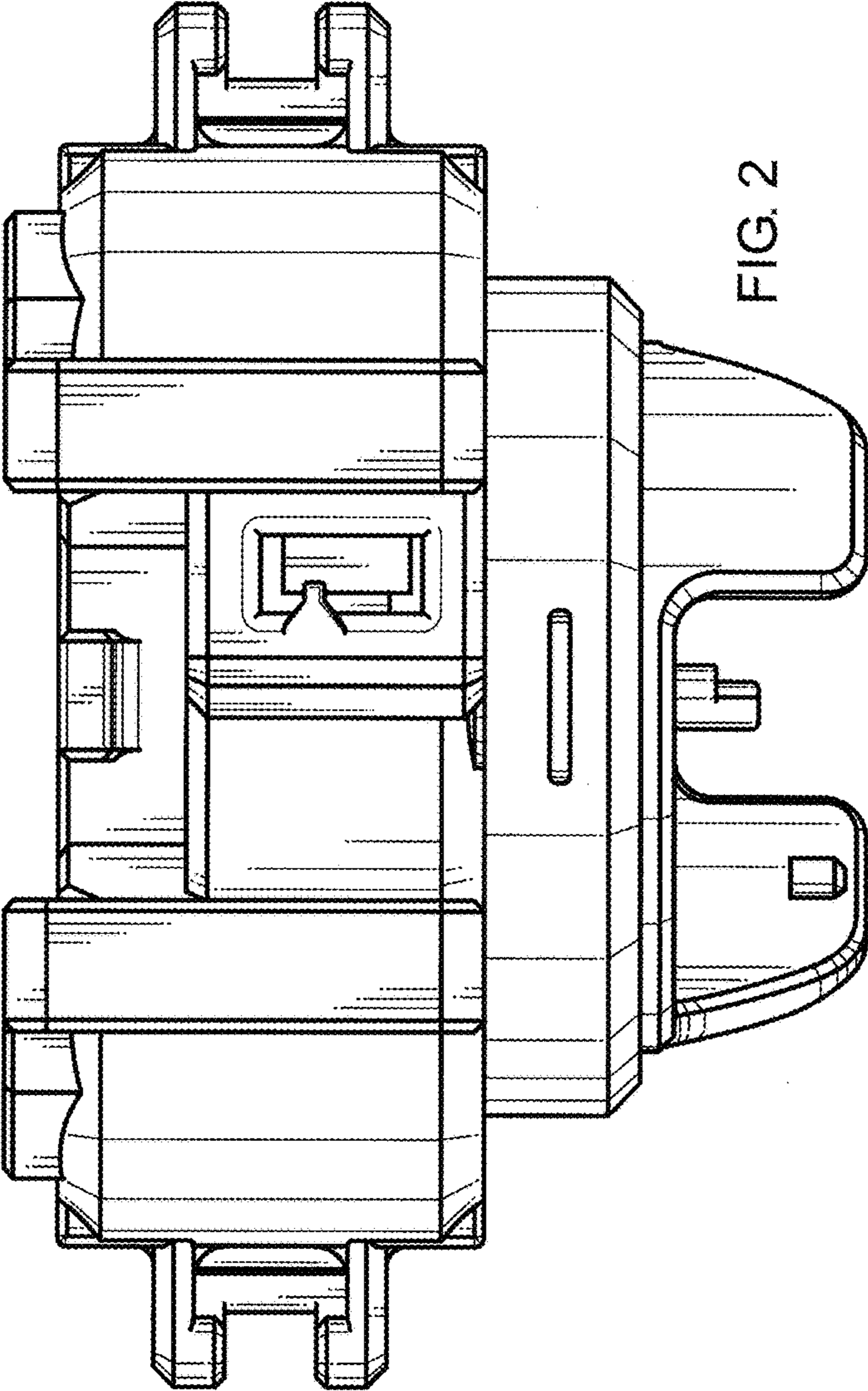
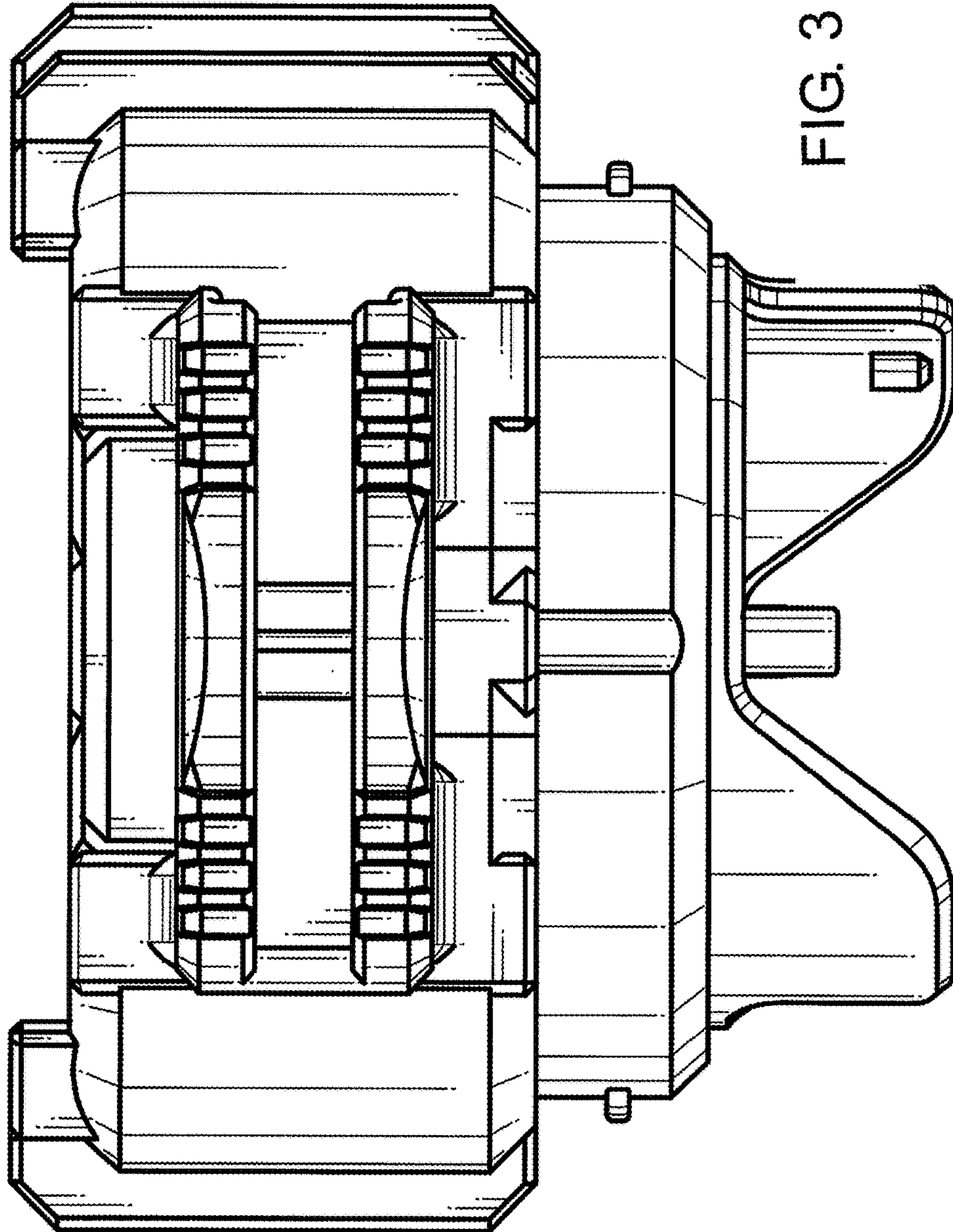


FIG. 1





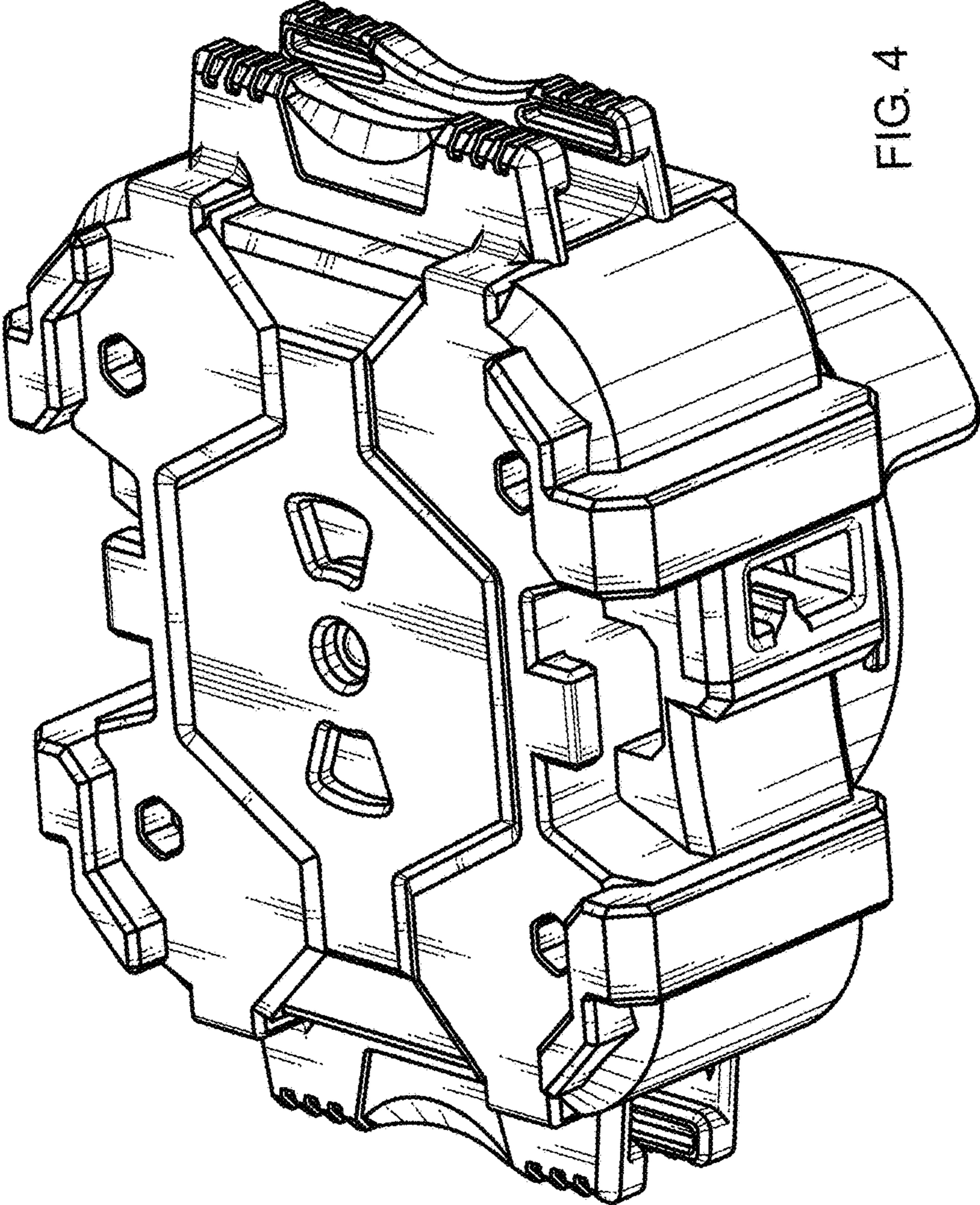


FIG. 4

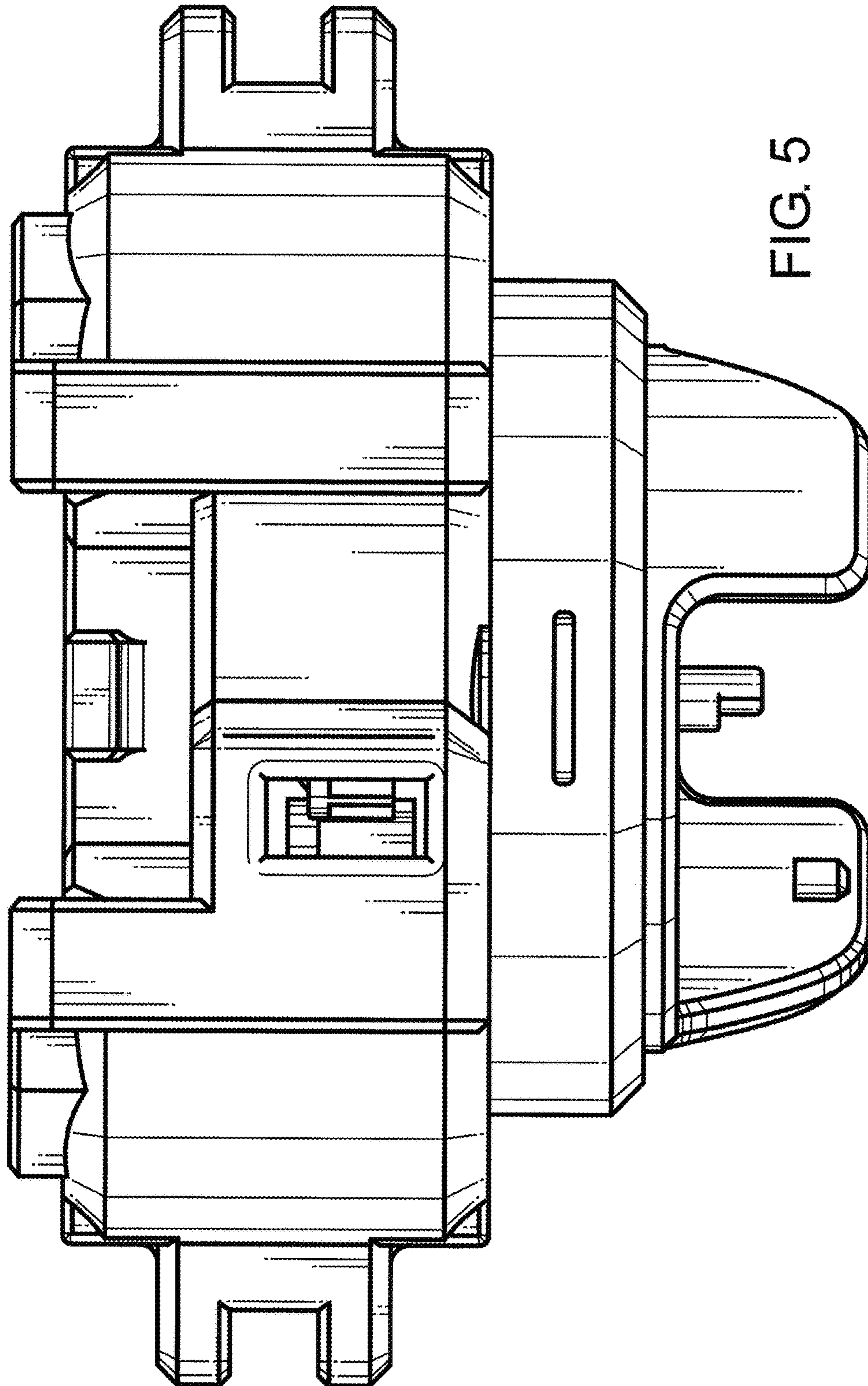


FIG. 5

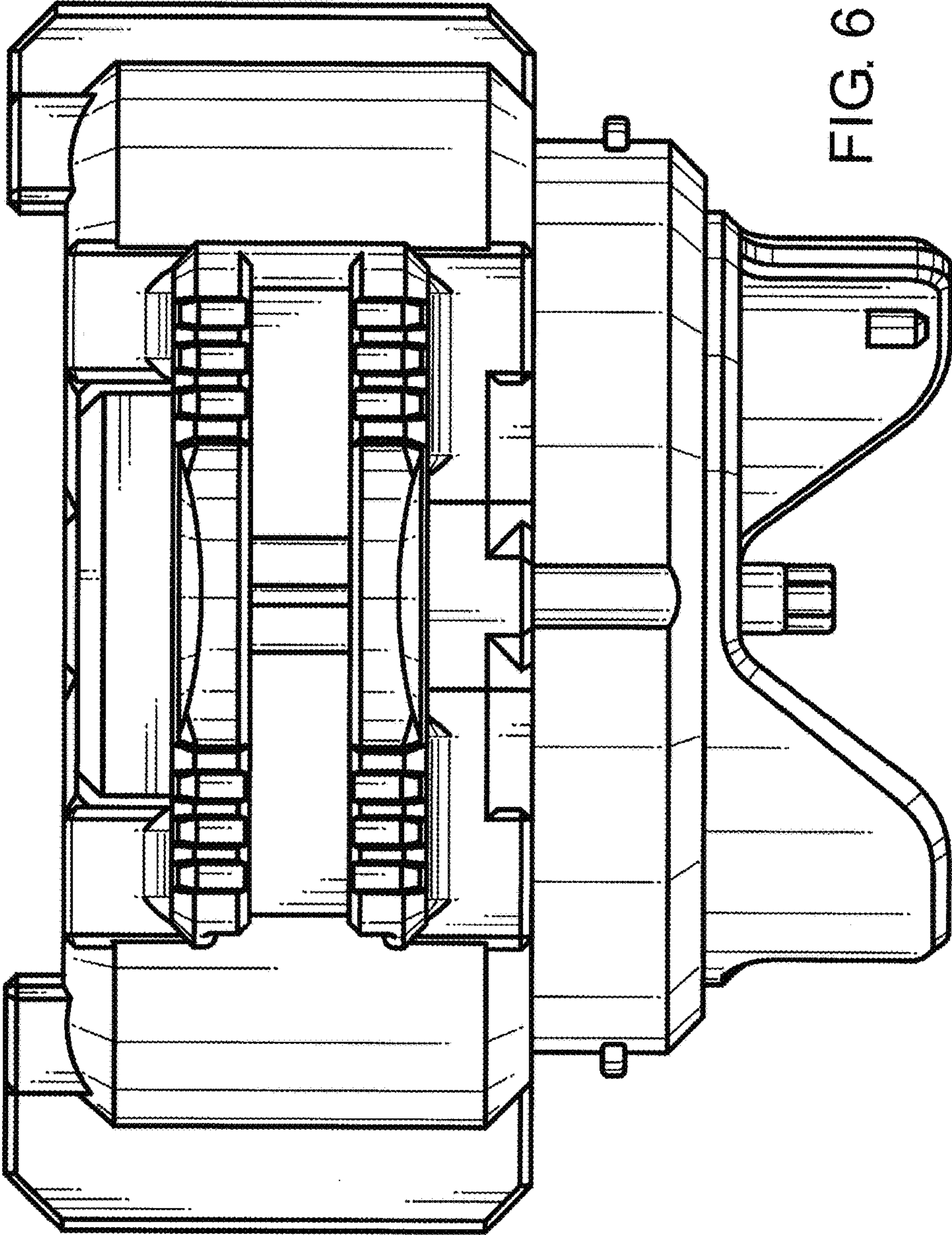


FIG. 6



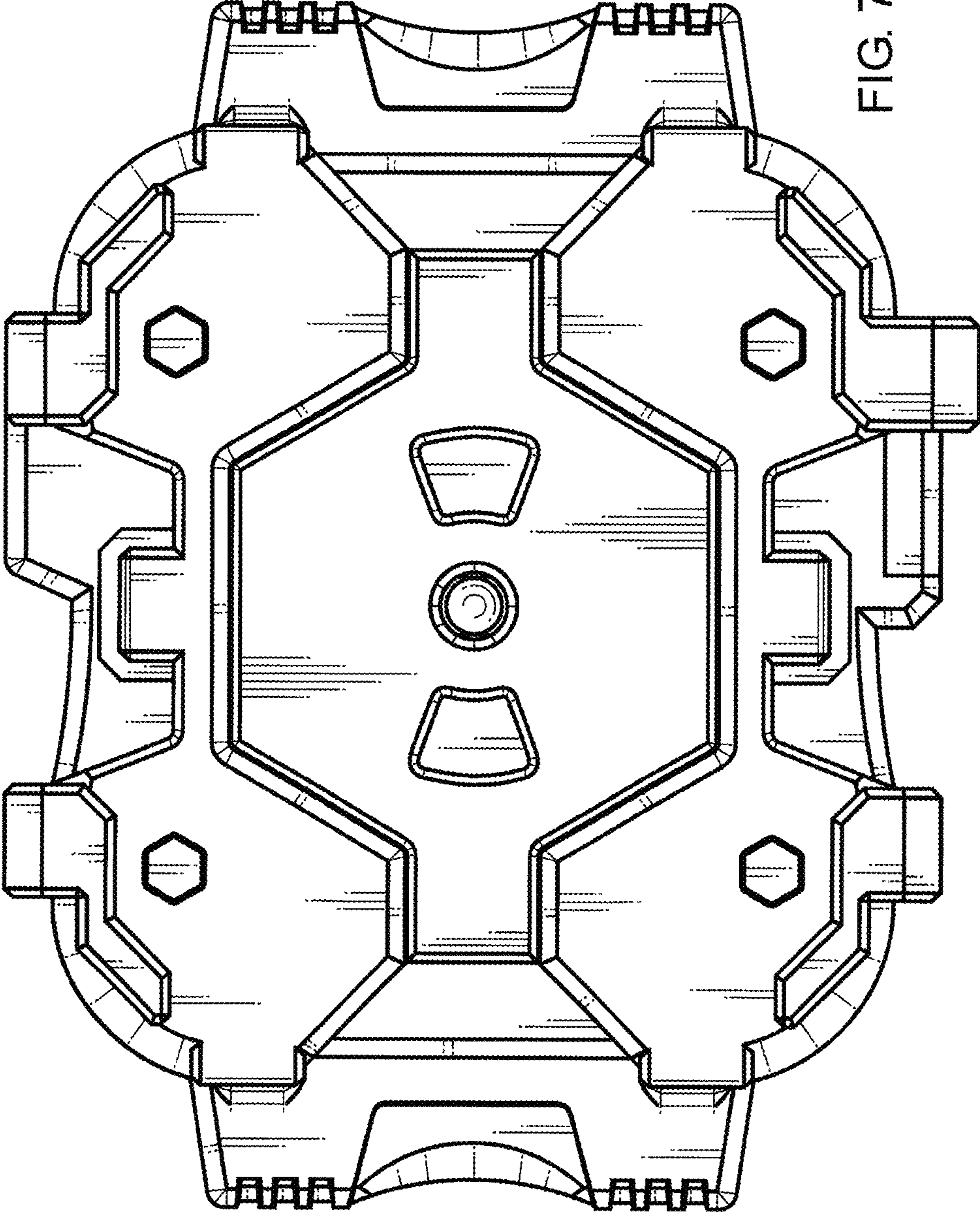


FIG. 7