



US00D790635S

(12) **United States Design Patent**
Horikoshi et al.

(10) **Patent No.:** **US D790,635 S**
(45) **Date of Patent:** **** Jun. 27, 2017**

(54) **LAUNCHING APPARATUS FOR SPINNING TOY TOP**

(71) Applicant: **TOMY COMPANY, LTD.**, Tokyo (JP)

(72) Inventors: **Kenji Horikoshi**, Tokyo (JP); **Makoto Muraki**, Tokyo (JP)

(73) Assignee: **TOMY COMPANY, LTD.**, Tokyo (JP)

(**) Term: **15 Years**

(21) Appl. No.: **29/539,876**

(22) Filed: **Sep. 18, 2015**

(30) **Foreign Application Priority Data**

Mar. 20, 2015 (JP) 2015-005967

(51) **LOC (10) Cl.** **21-01**

(52) **U.S. Cl.**
USPC **D21/461**

(58) **Field of Classification Search**

USPC D21/454, 455, 460, 461-463, 563, 566,
D21/570; 446/39, 40, 236-266, 429, 430

CPC A63H 1/00-1/32; A63H 17/008; A63H
27/14; A63H 29/20; A63H 29/24

See application file for complete search history.

(56) **References Cited**

U.S. PATENT DOCUMENTS

3,735,526 A * 5/1973 Ensmann A63H 29/24
446/429
4,690,654 A * 9/1987 DeLaney A63H 17/008
124/16
5,052,973 A * 10/1991 Rudell A63H 17/008
124/17
6,769,953 B1 * 8/2004 Sutton A63H 1/02
446/256

D610,210 S * 2/2010 Nishimoto D21/461
D610,211 S * 2/2010 Nishimoto D21/461
D639,349 S * 6/2011 Horikoshi D21/461
9,435,820 B1 * 9/2016 Muraki G01P 3/486
2009/0253504 A1 * 10/2009 Nishimoto A63F 9/16
463/31
2011/0256794 A1 * 10/2011 Horikoshi A63H 1/04
446/259
2013/0056929 A1 * 3/2013 Rehkemper A63H 33/003
273/129 R
2016/0310854 A1 * 10/2016 Kubo A63H 1/04
2016/0325190 A1 * 11/2016 Muraki A63H 1/02

FOREIGN PATENT DOCUMENTS

CN 3315787 * 8/2003
CN 3671626 * 7/2007
CN 300742501 * 2/2008
CN 300748422 * 2/2008
CN 301457974 * 2/2011
CN 302606941 * 10/2013
JP 3142475 U * 6/2008

(Continued)

Primary Examiner — Catherine Tuttle

(74) *Attorney, Agent, or Firm* — Staas & Halsey LLP

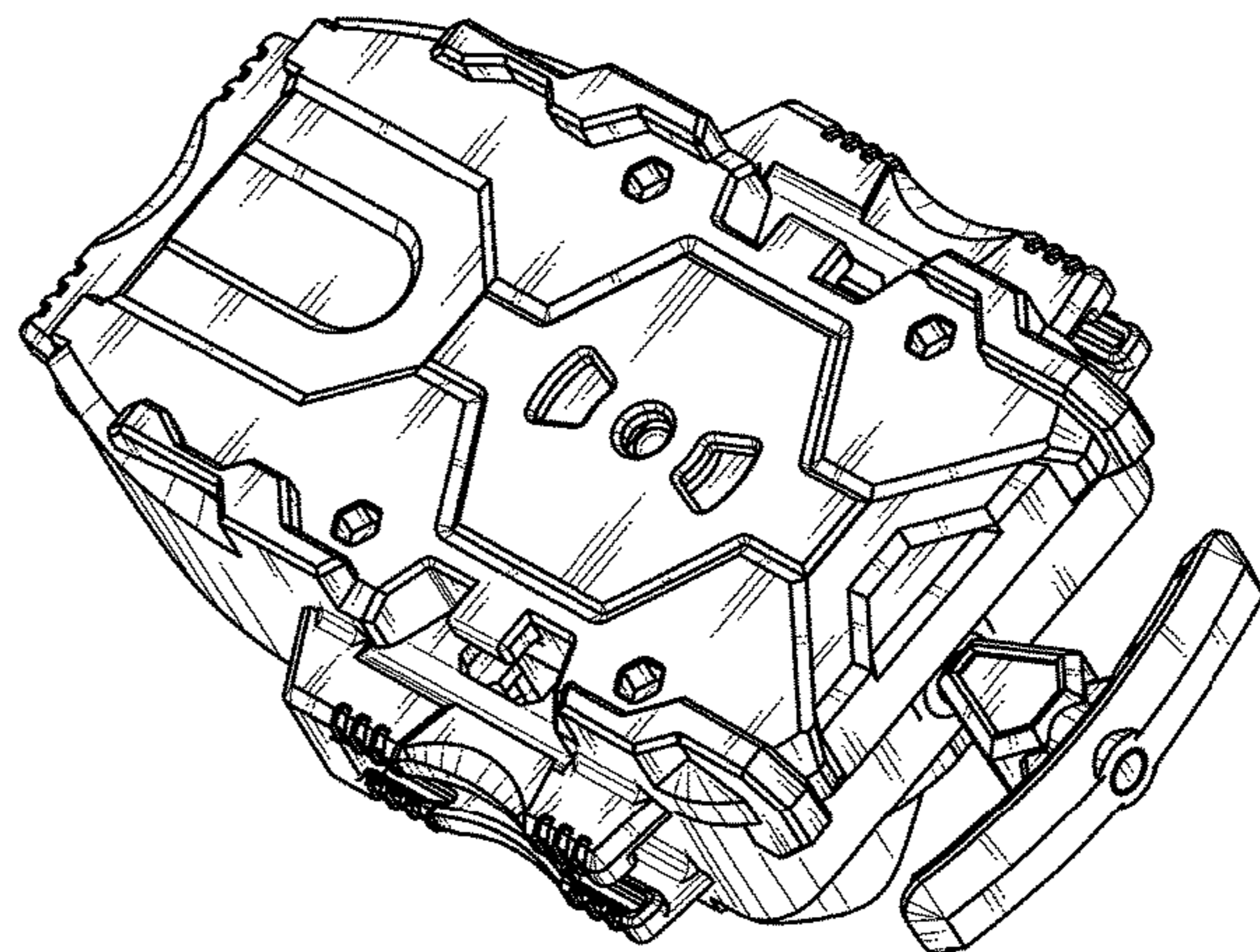
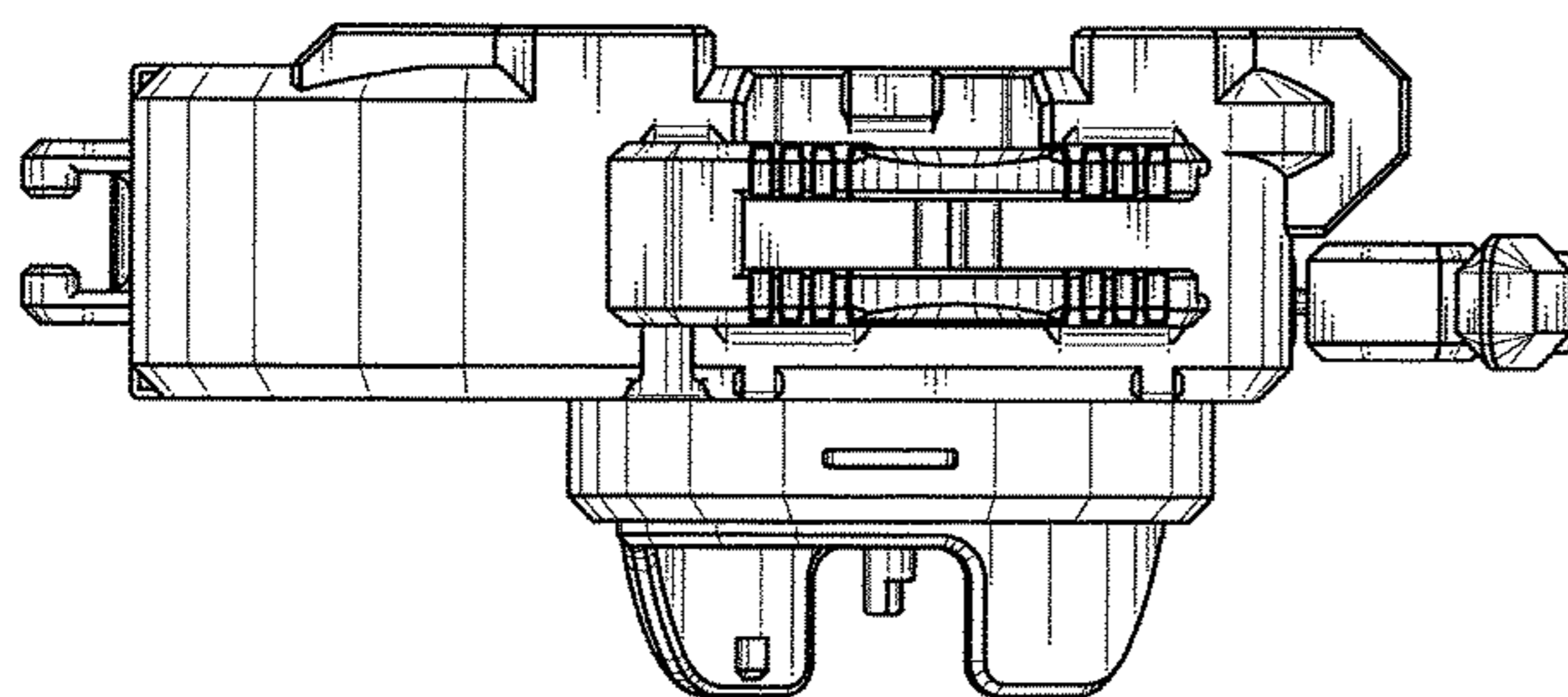
(57) **CLAIM**

The ornamental design for a launching apparatus for spinning toy top, as shown.

DESCRIPTION

FIG. 1 is a bottom view of the launching apparatus for spinning toy top showing our design;
FIG. 2 is a front view thereof;
FIG. 3 is a left side view thereof;
FIG. 4 is perspective view thereof;
FIG. 5 is a rear view thereof;
FIG. 6 is a right side view thereof; and,
FIG. 7 is a top view thereof.

1 Claim, 7 Drawing Sheets



(56)

References Cited

FOREIGN PATENT DOCUMENTS

JP 3160157 U * 6/2010
JP 3164823 U * 12/2010
JP D1531584 * 8/2015

* cited by examiner

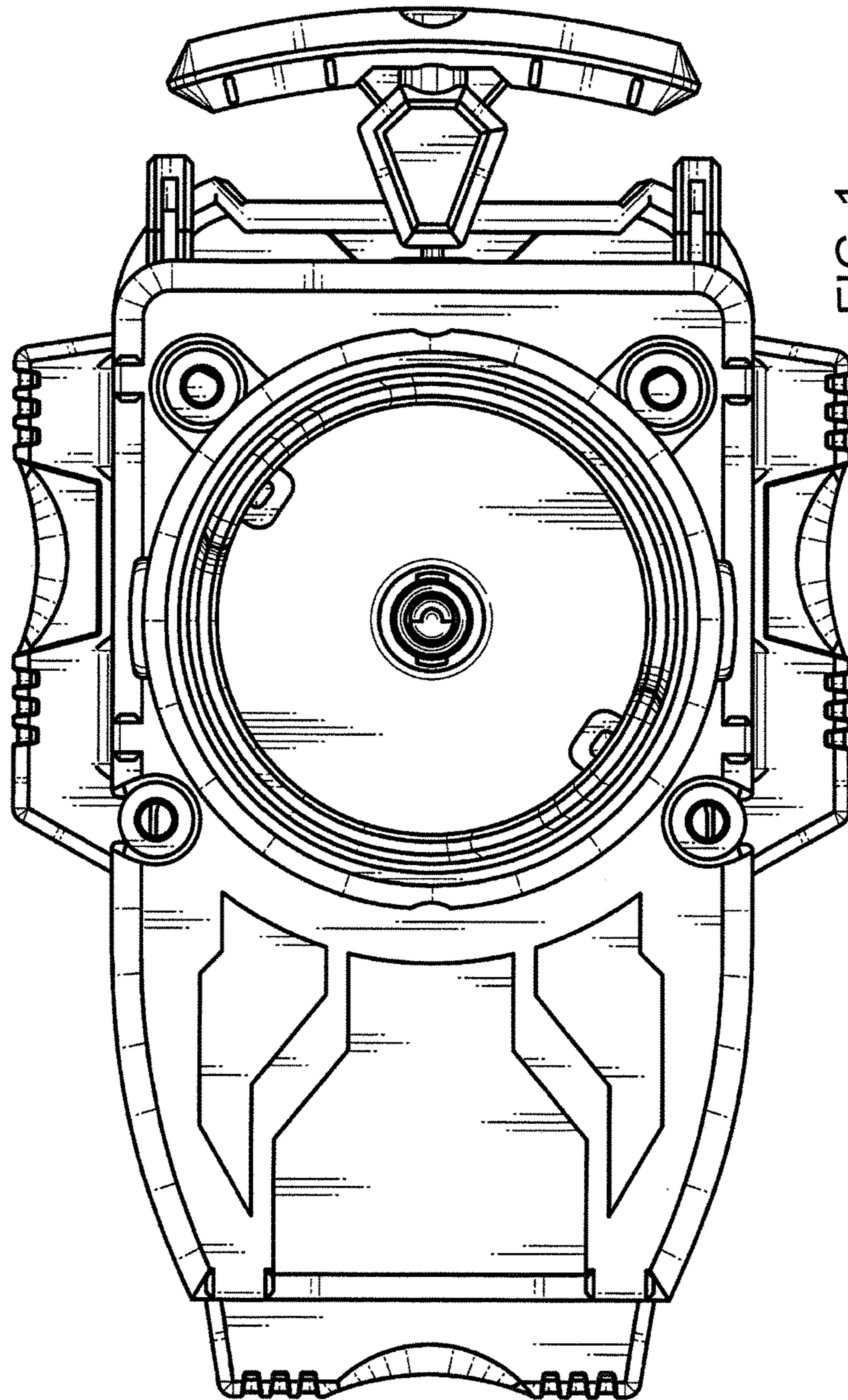
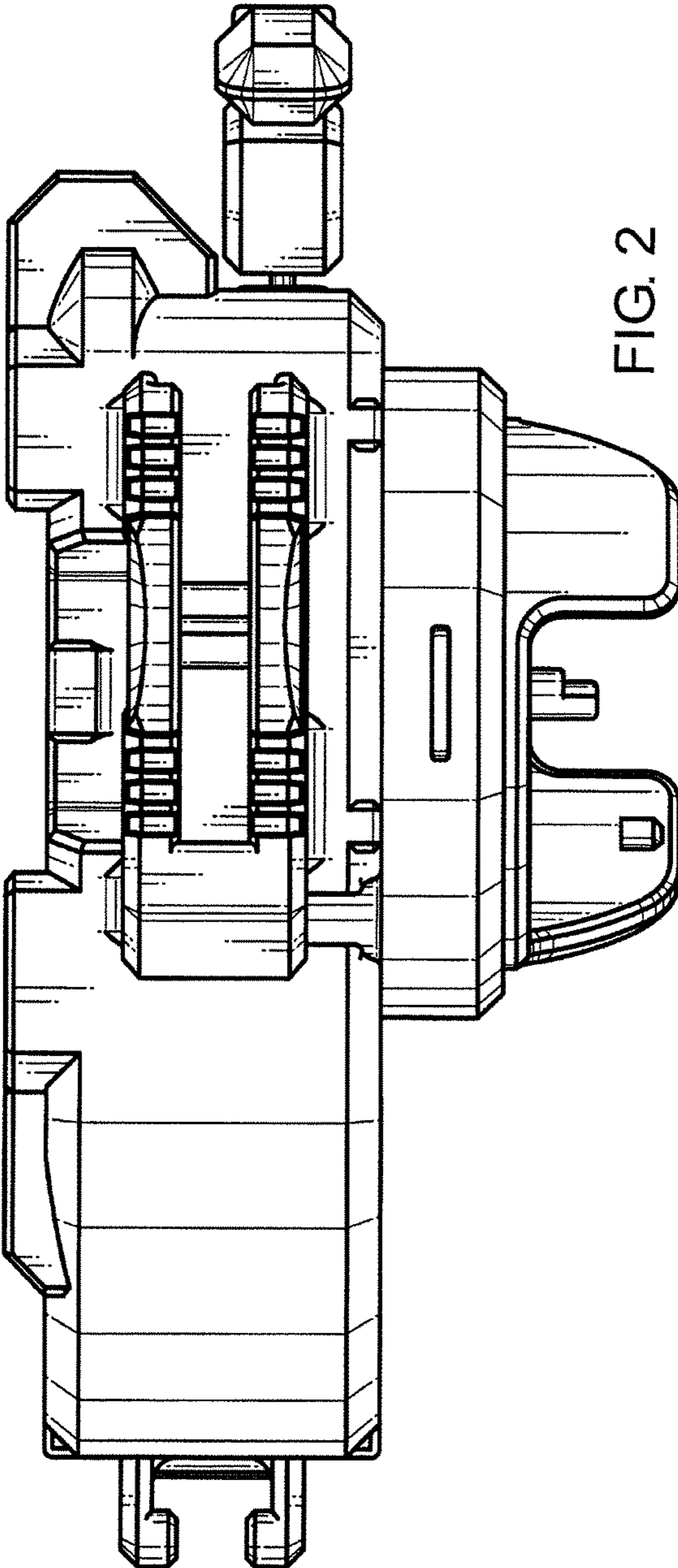


FIG. 1



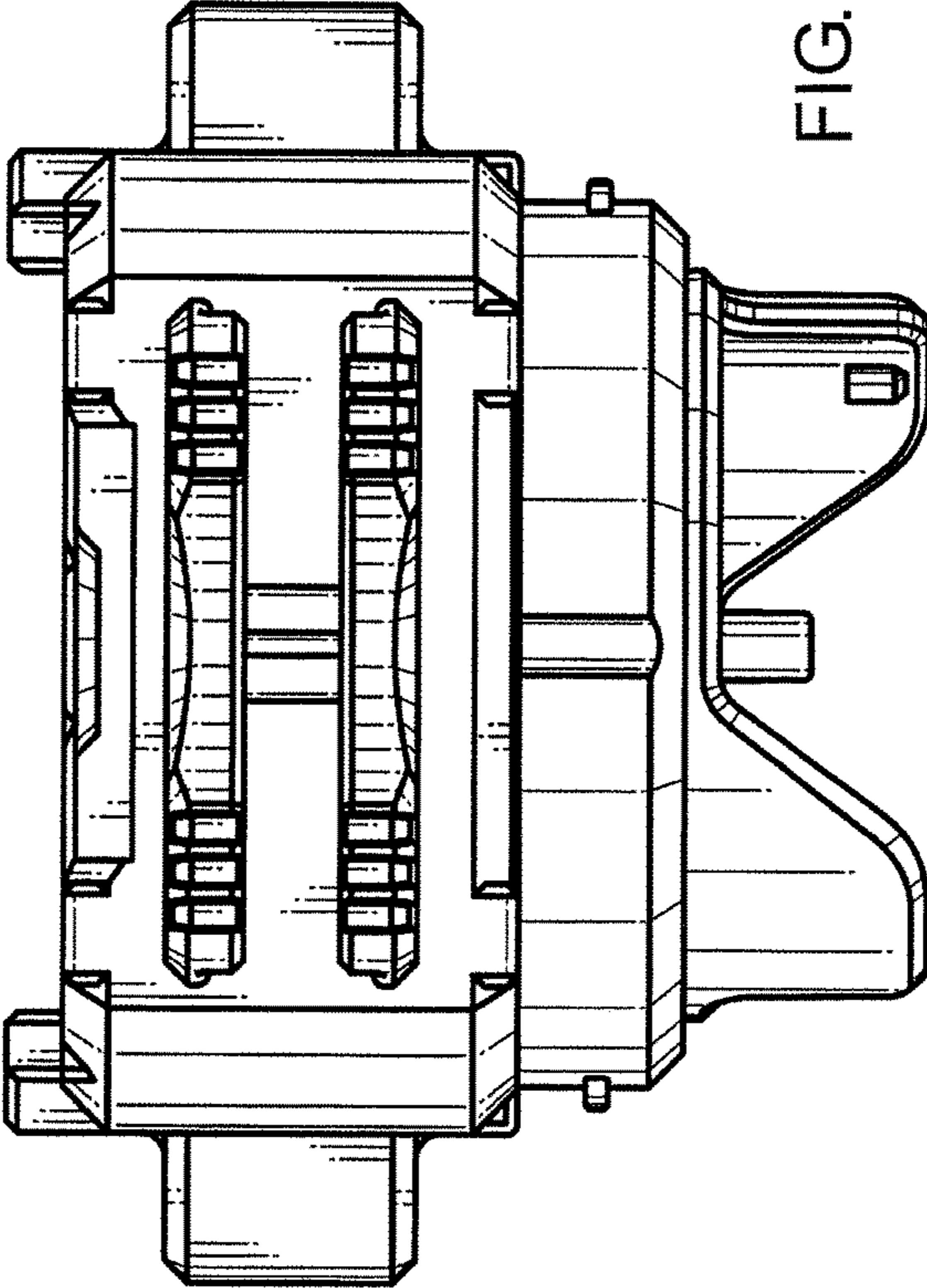


FIG. 3

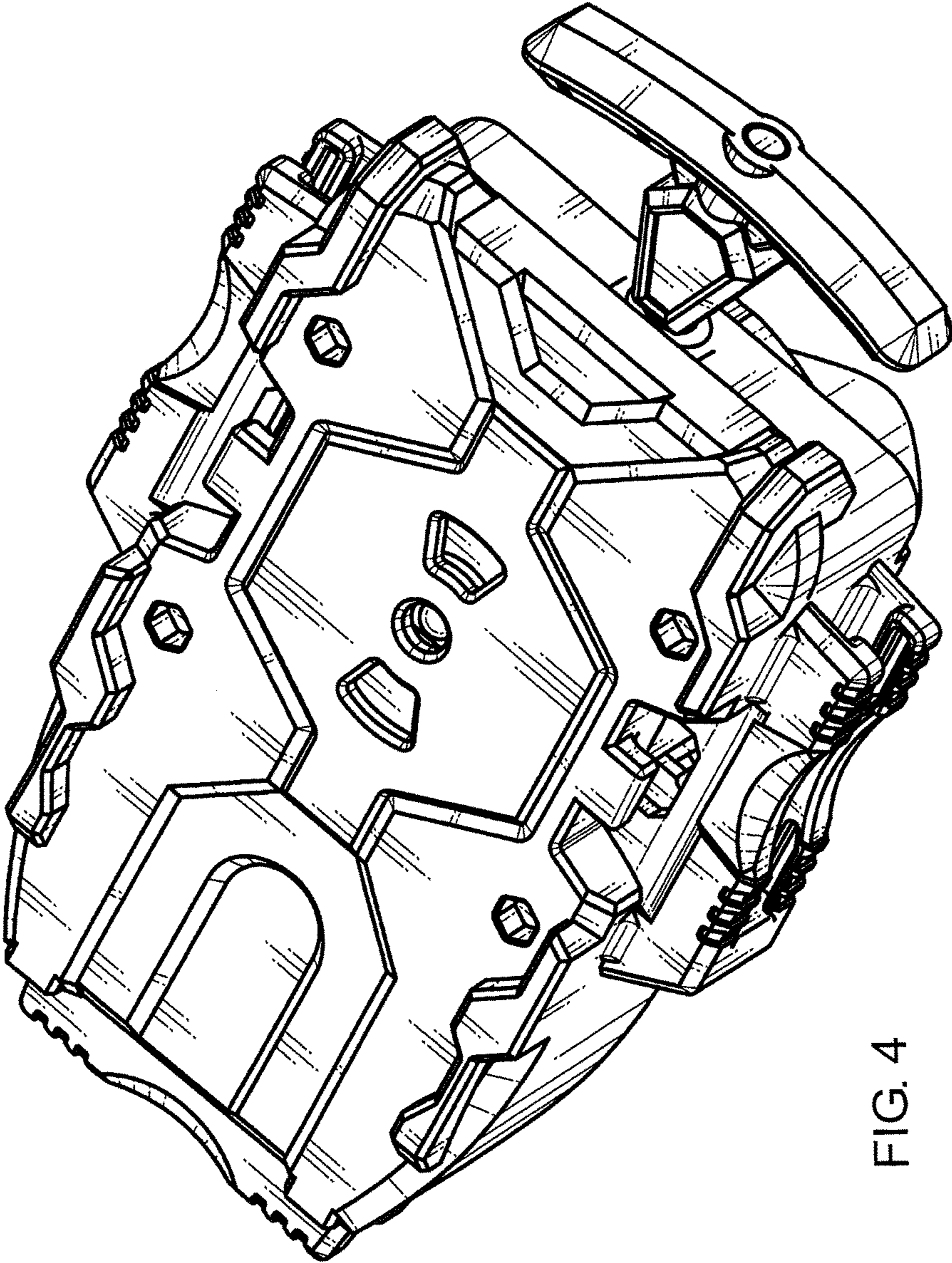


FIG. 4

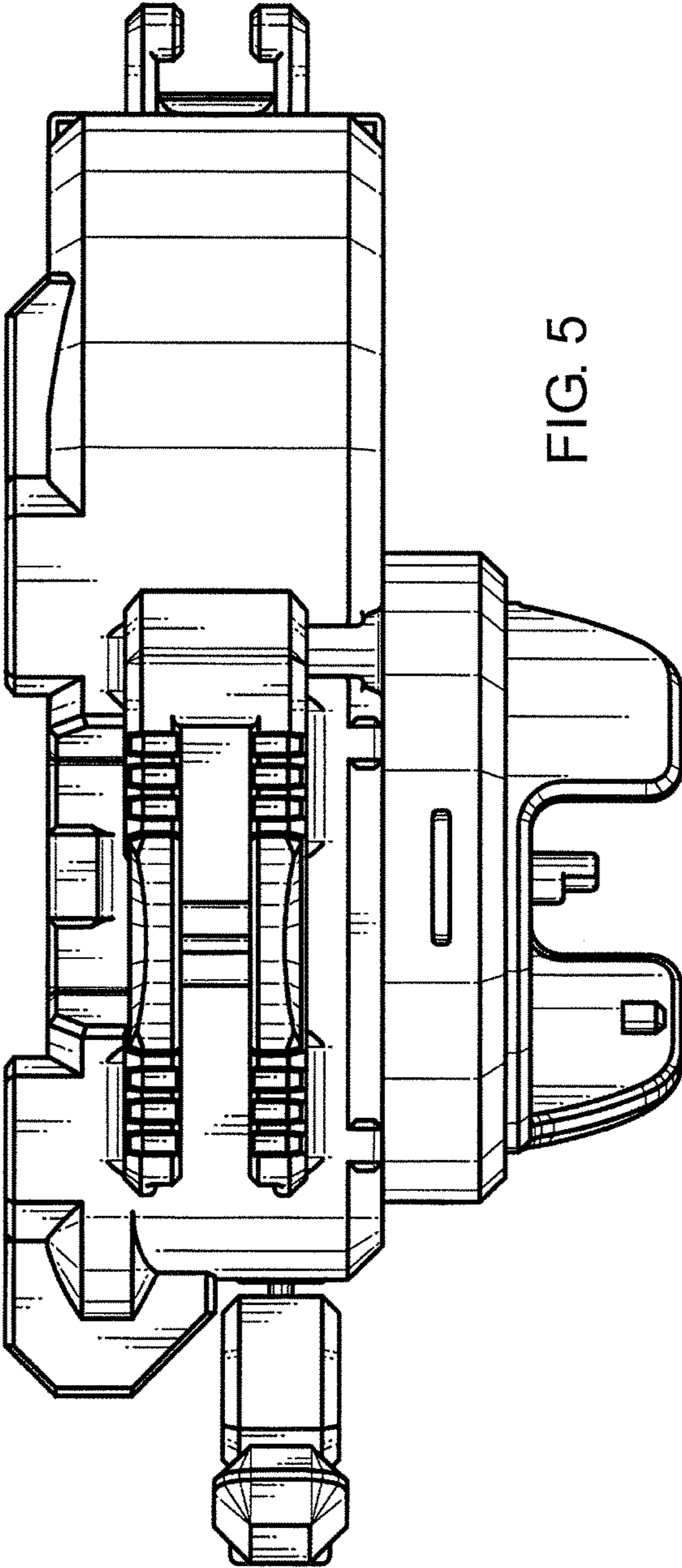


FIG. 5

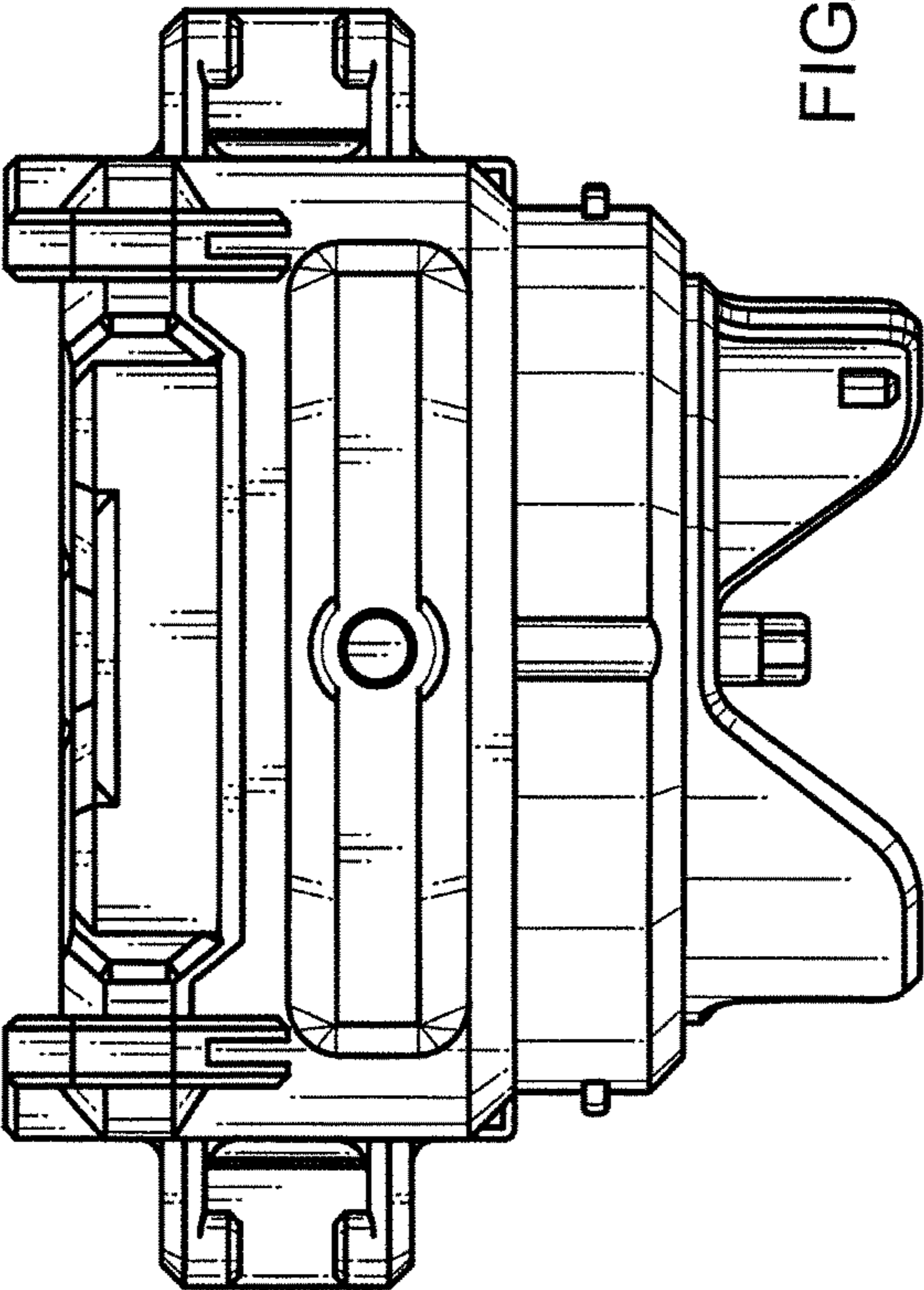


FIG. 6

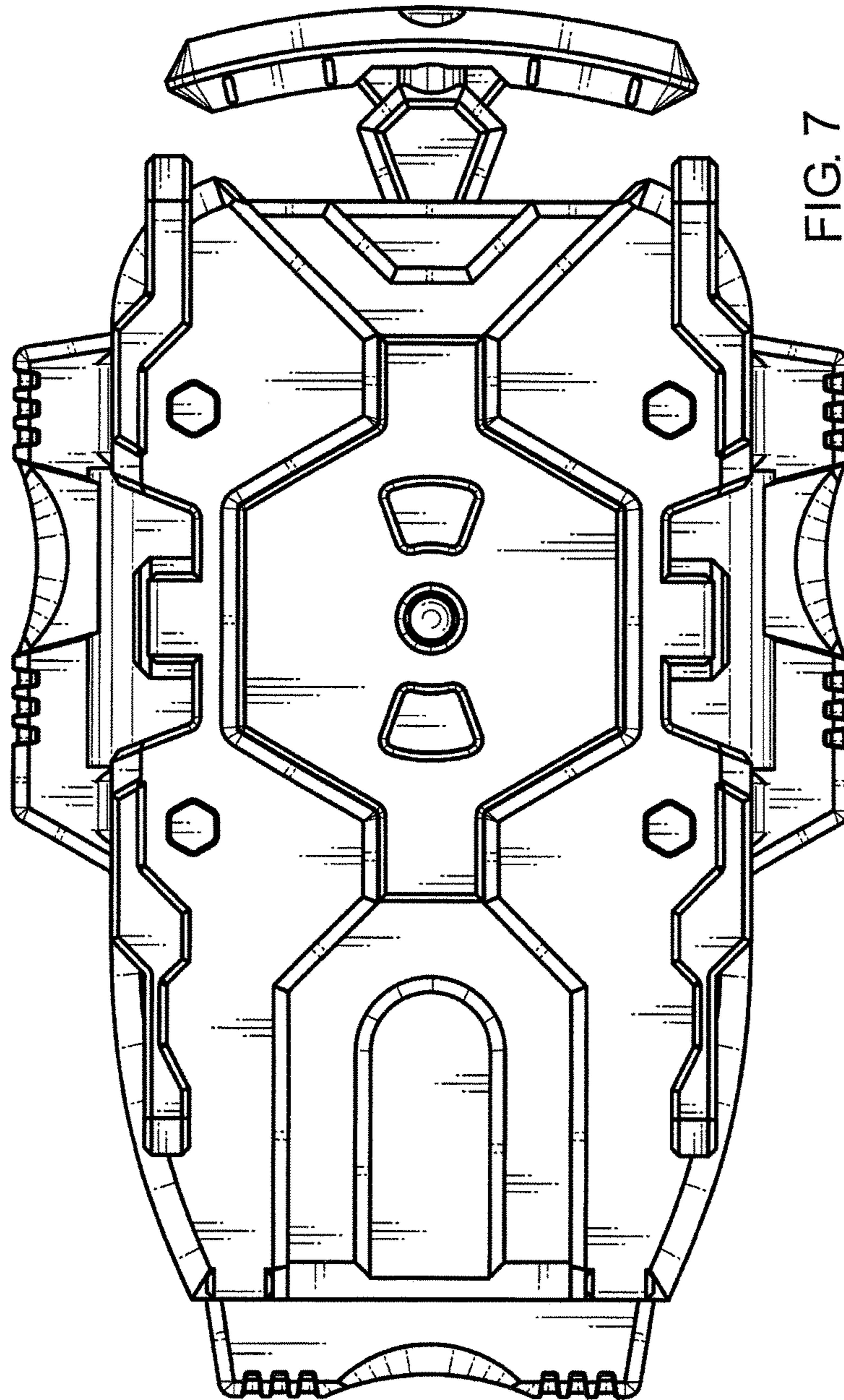


FIG. 7