



US00D790634S

(12) **United States Design Patent**
Fisch

(10) **Patent No.:** **US D790,634 S**

(45) **Date of Patent:** **** Jun. 27, 2017**

(54) **TOY GUITAR**

(71) Applicant: **Joseph Fisch**, Brooklyn, NY (US)

(72) Inventor: **Joseph Fisch**, Brooklyn, NY (US)

(**) Term: **15 Years**

(21) Appl. No.: **29/571,586**

(22) Filed: **Jul. 20, 2016**

(51) **LOC (10) Cl.** **21-01**

(52) **U.S. Cl.**

USPC **D21/405**; D17/1; D17/14

(58) **Field of Classification Search**

USPC D21/405, 409, 324, 331, 333, 468, 475,
D21/483, 516; D17/1, 2, 14, 17, 18, 20,
D17/99; D19/59, 60; D14/400, 401,
D14/478, 480.2, 480.3, 496, 498, 508,
D14/143, 144, 168, 172, 178, 189, 200,
D14/203.2, 207; D9/665; D11/44, 48,
D11/81, 157; D3/208, 211, 271.1;
446/143, 397, 404, 408, 484; 84/267,
84/291; 984/106, 116, 200, 201, 209,
984/345, 346

CPC A63H 5/00; G10H 1/342; G10H 2220/135;
A63F 13/814; A63F 2300/8047

See application file for complete search history.

(56) **References Cited**

U.S. PATENT DOCUMENTS

2,045,265 A * 6/1936 Dopyera G10D 3/02
84/267
3,153,364 A * 10/1964 Ryan G10D 17/00
446/408
3,340,343 A * 9/1967 Woll G10H 1/02
327/117
D220,650 S * 5/1971 Poznanovich D17/1
D258,363 S * 2/1981 Weindel D17/1
4,467,692 A * 8/1984 Egan G10D 3/02
84/291
D276,722 S * 12/1984 Festa D14/143

D300,154 S * 3/1989 Chen D17/14
D440,487 S * 4/2001 Leach D9/665
D456,856 S * 5/2002 Kane D21/405
D483,794 S * 12/2003 Kwon D17/14
D496,958 S * 10/2004 Amiya D17/14
6,933,428 B1 * 8/2005 Pedgley G10C 3/06
84/267
D524,788 S * 7/2006 Beard D14/138 R
D526,305 S * 8/2006 Beard D14/138 R
D625,354 S * 10/2010 Helsley D17/14
8,278,538 B1 * 10/2012 D'Anda G10D 3/02
84/267
D723,098 S * 2/2015 Roebke D17/14
2014/0260923 A1 * 9/2014 Roebke G10H 3/18
84/733

FOREIGN PATENT DOCUMENTS

AU WO 2009111815 A1 * 9/2009 G10H 1/0066
WO WO 9729480 A1 * 8/1997 G10H 1/0008

* cited by examiner

Primary Examiner — Catherine Tuttle

(74) *Attorney, Agent, or Firm* — Michael J. Feigin, Esq.;
Feigin and Fridman

(57) **CLAIM**

The ornamental design for the toy guitar, as shown and described.

DESCRIPTION

FIG. 1 shows a top perspective view of a toy guitar.

FIG. 2 shows a front elevation view thereof.

FIG. 3 shows a rear elevation view thereof.

FIG. 4 shows a left side elevation view thereof.

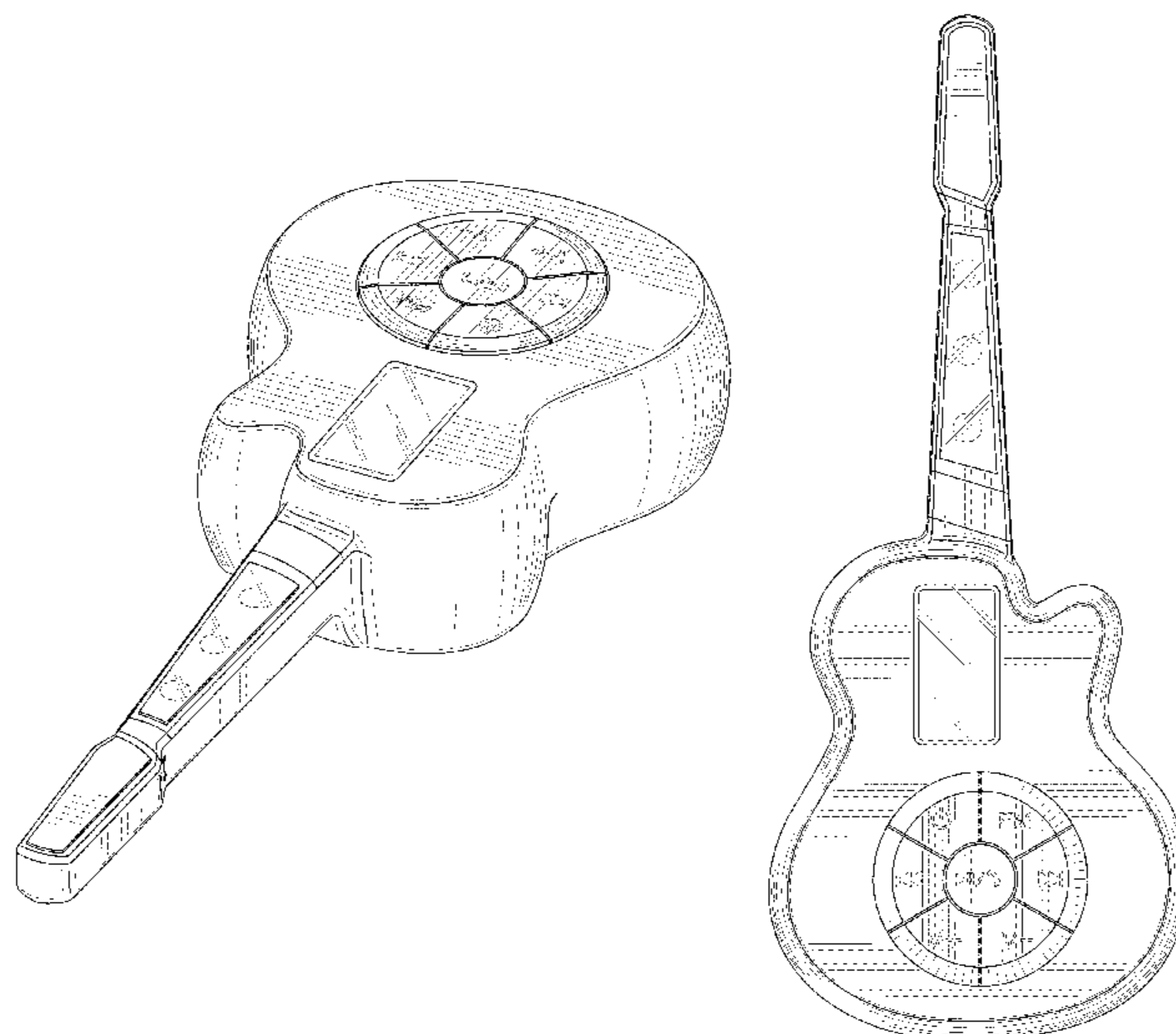
FIG. 5 shows a right side elevation view thereof.

FIG. 6 shows a top plan view thereof; and,

FIG. 7 shows a bottom plan view thereof.

The broken lines shown in FIGS. 1-3 are included for the purpose of illustrating elements of the toy guitar that form no part of the claimed design.

1 Claim, 5 Drawing Sheets



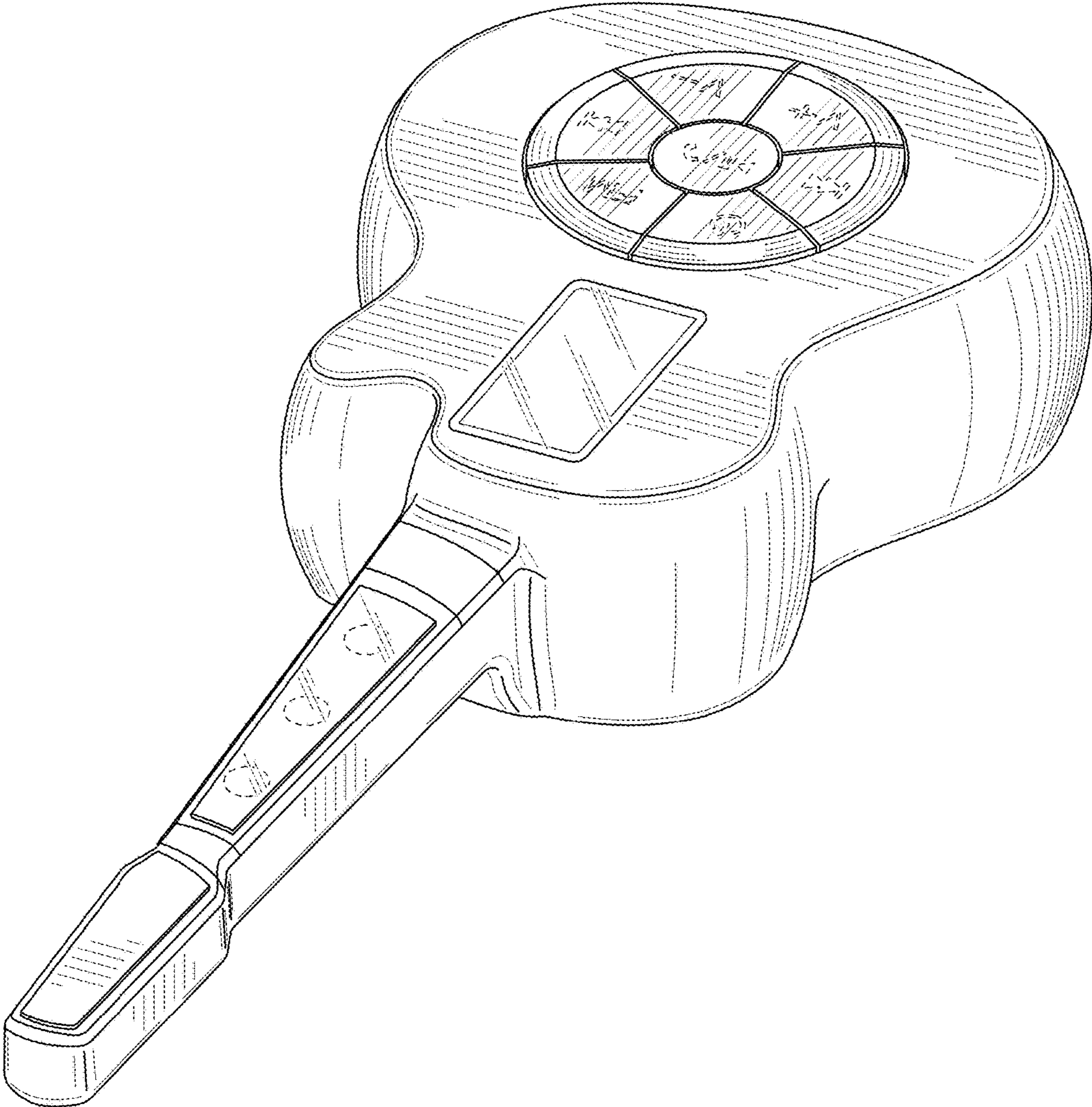


FIG. 1

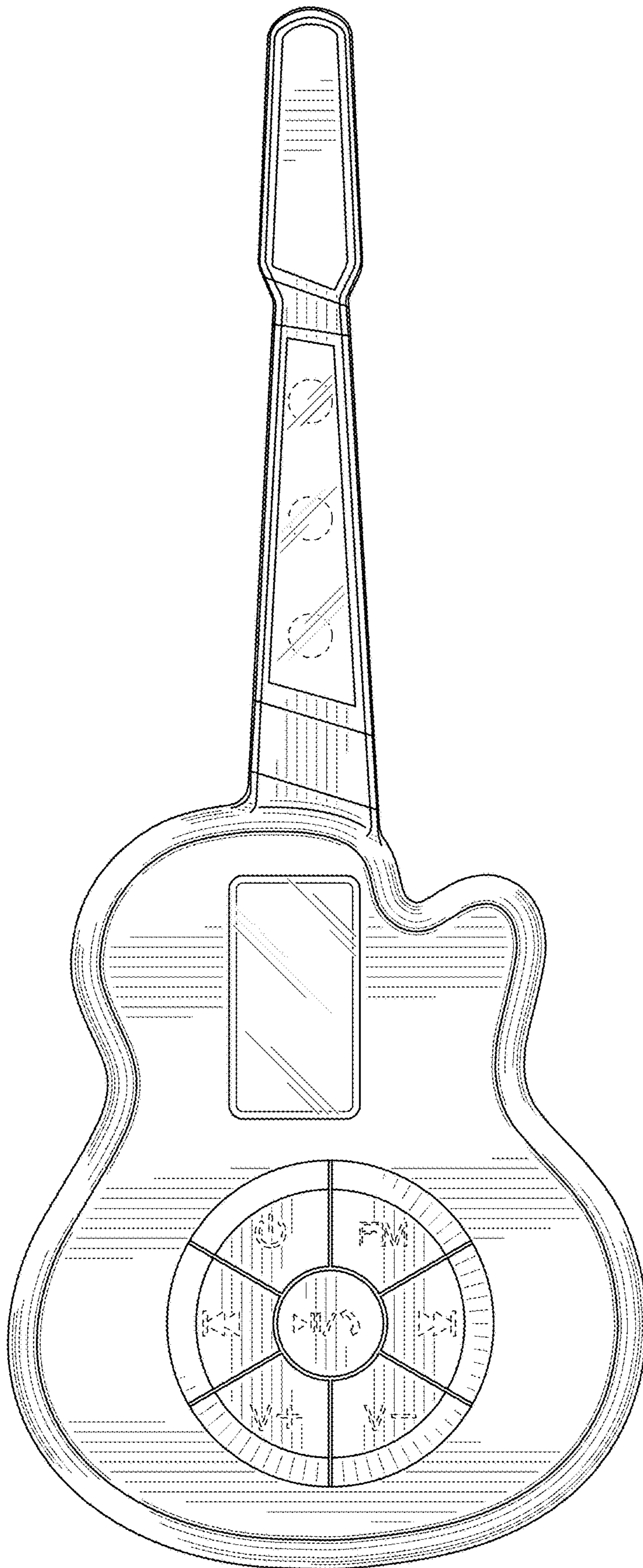


FIG. 2

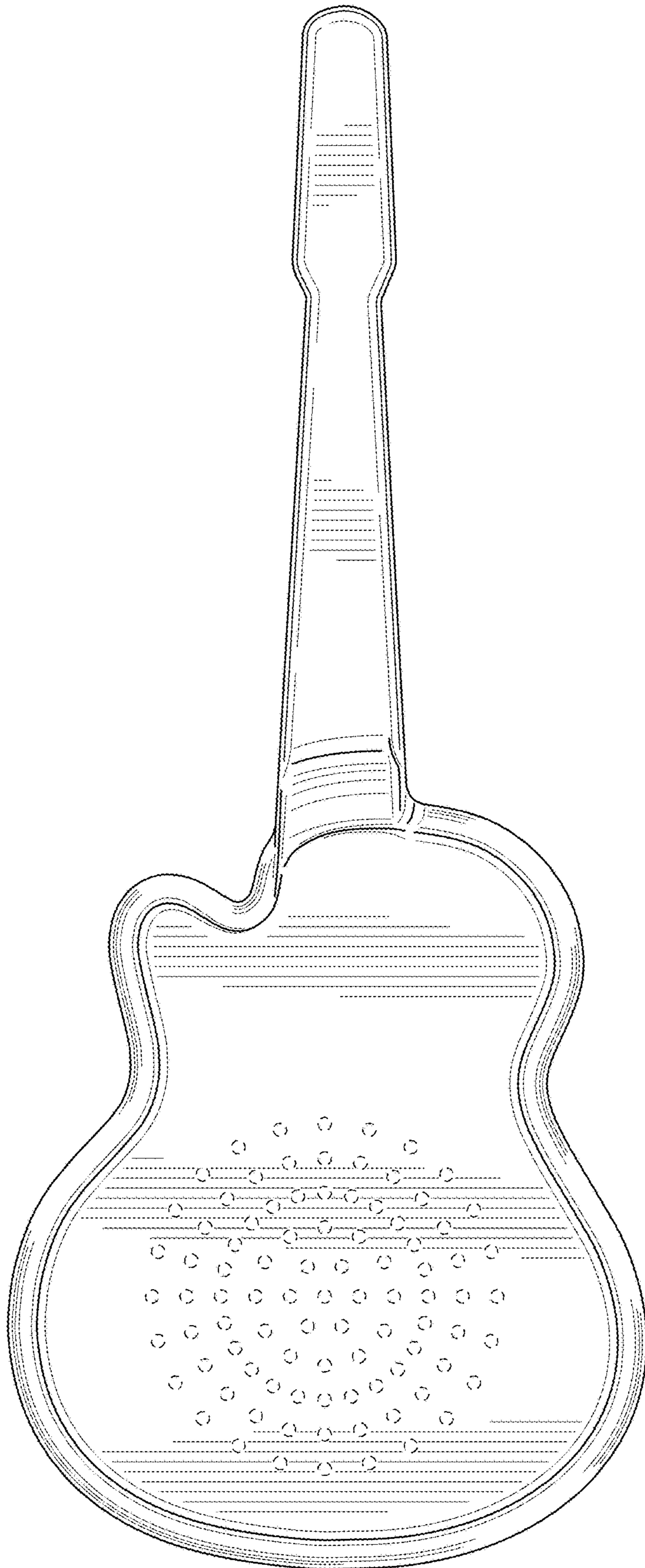


FIG. 3

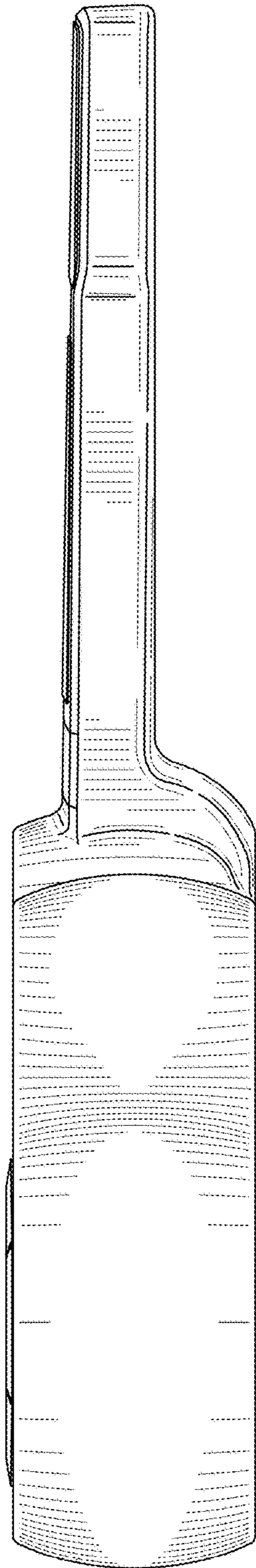


FIG. 4

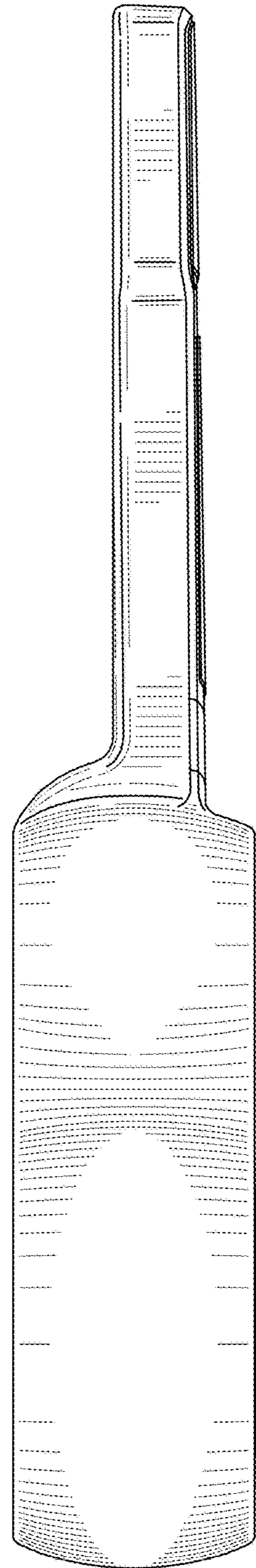


FIG. 5

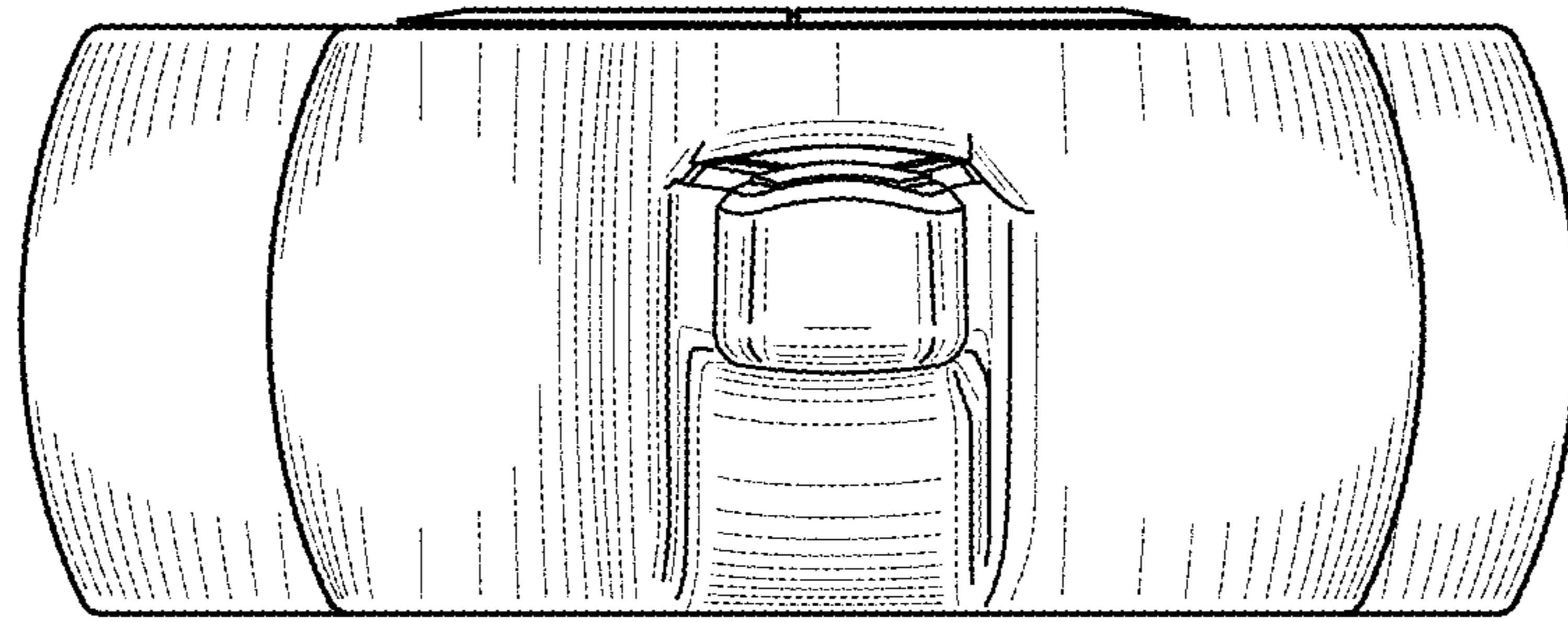


FIG. 6

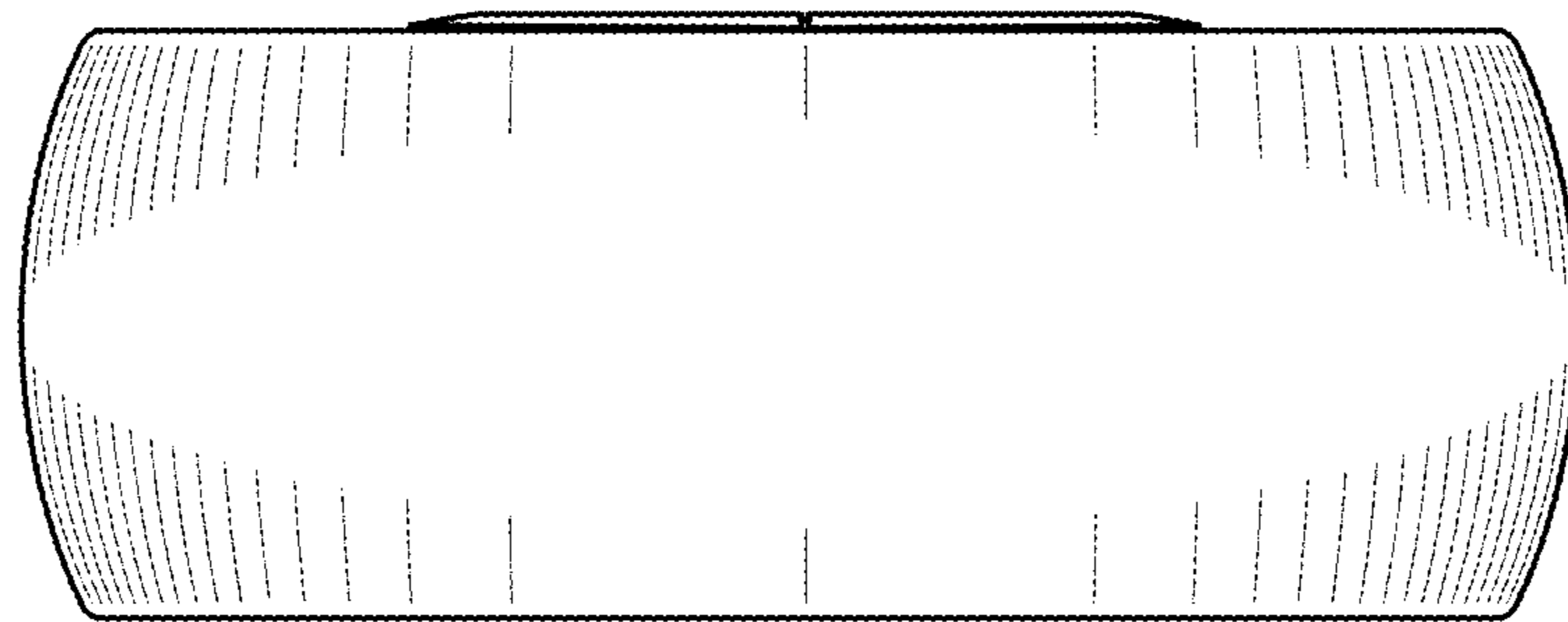


FIG. 7