



US00D790633S

(12) **United States Design Patent** (10) **Patent No.:** **US D790,633 S**  
**Stambler** (45) **Date of Patent:** **\*\* Jun. 27, 2017**

(54) **SLOT MACHINE CARD HOLDER**

(71) Applicant: **Kenneth Stambler**, Oklahoma City, OK (US)

(72) Inventor: **Kenneth Stambler**, Oklahoma City, OK (US)

(\*\*) Term: **15 Years**

(21) Appl. No.: **29/575,527**

(22) Filed: **Aug. 25, 2016**

(51) **LOC (10) Cl.** ..... **21-01**

(52) **U.S. Cl.**  
 USPC ..... **D21/392**

(58) **Field of Classification Search**  
 USPC ..... D21/369, 370, 374, 375, 385, 392-396;  
 D3/207-208, 211, 215, 247-249, 270,  
 D3/318-319, 328; D11/79, 81, 201,  
 D11/215-218, 238  
 CPC ..... A44C 11/00; A44C 5/00; A45C 11/182  
 See application file for complete search history.

5,560,603 A	10/1996	Seelig	
5,590,880 A	1/1997	Flam	
D464,998 S	10/2002	Brookins	
D486,531 S	2/2004	Brookins	
D512,106 S	11/2005	Brookins	
D536,741 S	2/2007	Brookins	
D570,420 S	6/2008	Brookins	
D592,939 S	5/2009	Kelleghan	
D595,119 S	6/2009	Kelleghan	
D626,184 S	10/2010	Stambler	
D636,823 S	4/2011	Stambler	
D665,854 S	8/2012	Brookins	
D665,855 S	8/2012	Brookins	
D692,063 S	10/2013	Stambler	
D734,208 S *	7/2015	Matos .....	D11/216
D738,959 S	9/2015	Cubbage	
D770,570 S	11/2016	Stambler	

\* cited by examiner

*Primary Examiner* — George D Kirschbaum  
*Assistant Examiner* — Joseph Kukella  
 (74) *Attorney, Agent, or Firm* — Eric Kelly

(57) **CLAIM**

An ornamental design for a slot machine card holder, as shown and described.

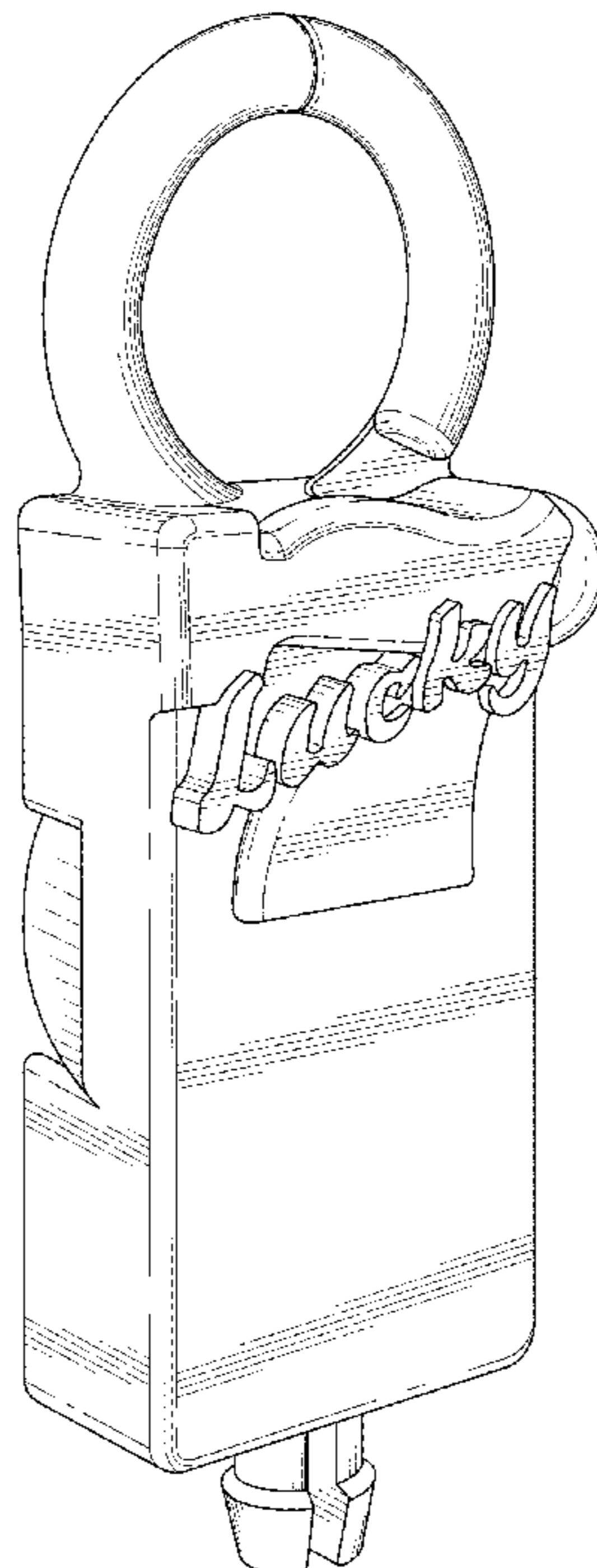
(56) **References Cited**  
 U.S. PATENT DOCUMENTS

D132,764 S	6/1942	La Verde	
4,079,607 A *	3/1978	Spruyt .....	A44B 15/00 70/456 R
D258,850 S *	4/1981	Brentini .....	D3/207
D271,443 S *	11/1983	MacDonald .....	D3/207
D307,213 S *	4/1990	Scungio .....	D3/207
D308,601 S *	6/1990	McDonald .....	D3/207
D310,753 S *	9/1990	Stillwagon .....	D3/207
D361,516 S	8/1995	Peersmann	
D366,359 S	1/1996	Riedl	

**DESCRIPTION**

FIG. 1 illustrates a front and left-side perspective view of an ornamental slot machine card holder;  
 FIG. 2 illustrates a front view thereof;  
 FIG. 3 illustrates a back view thereof;  
 FIG. 4 illustrates a left-side view thereof;  
 FIG. 5 illustrates a right-side view thereof;  
 FIG. 6 illustrates a top view thereof; and,  
 FIG. 7 illustrates a bottom view thereof.

**1 Claim, 5 Drawing Sheets**



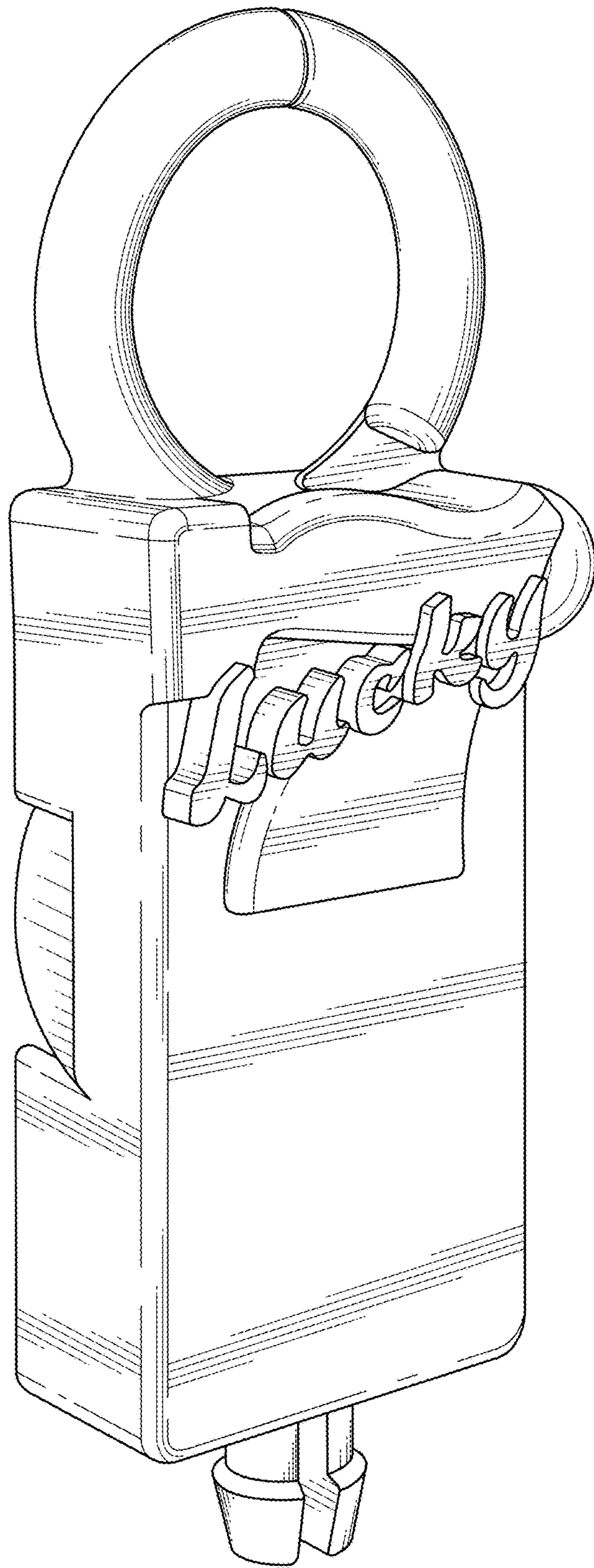


FIG. 1

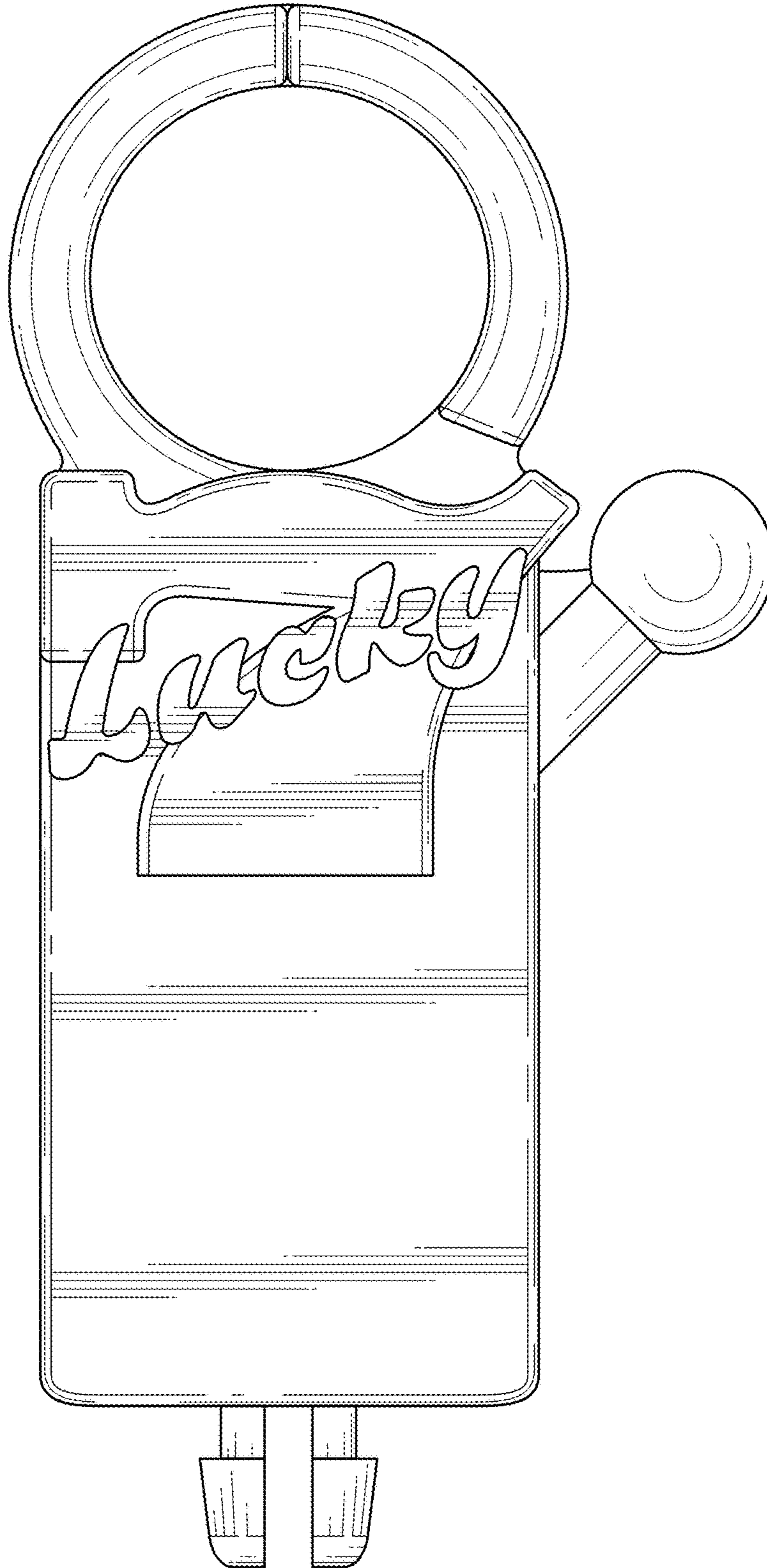


FIG. 2

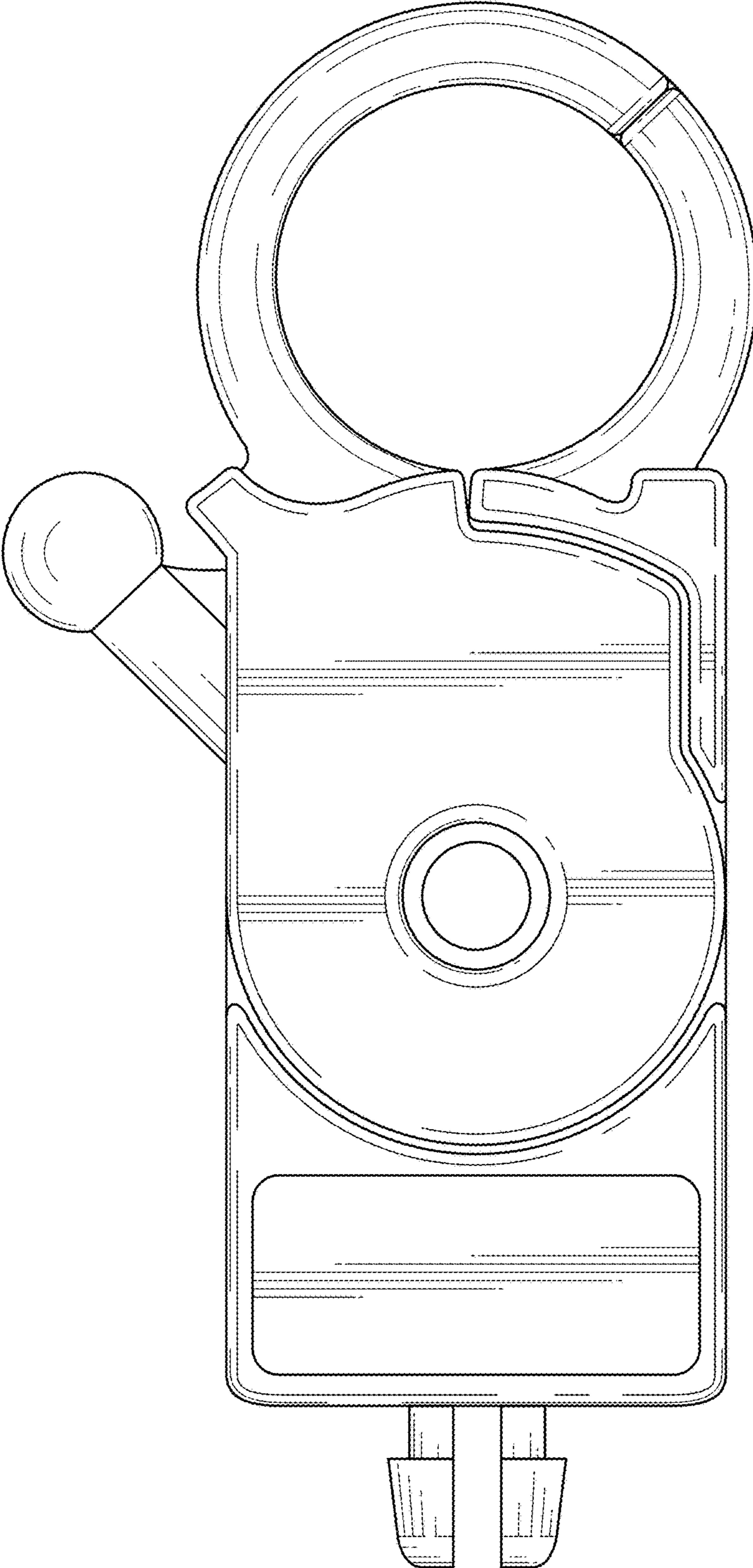


FIG. 3

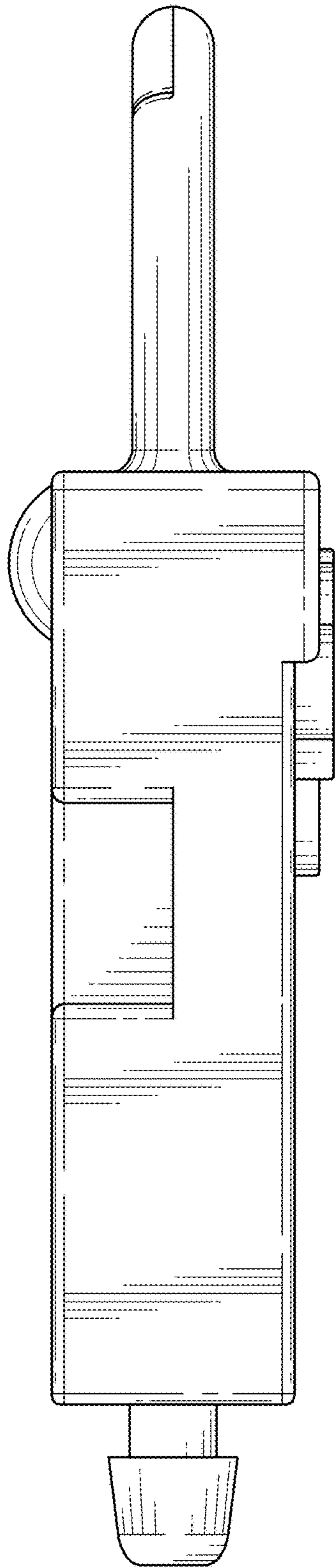


FIG. 4

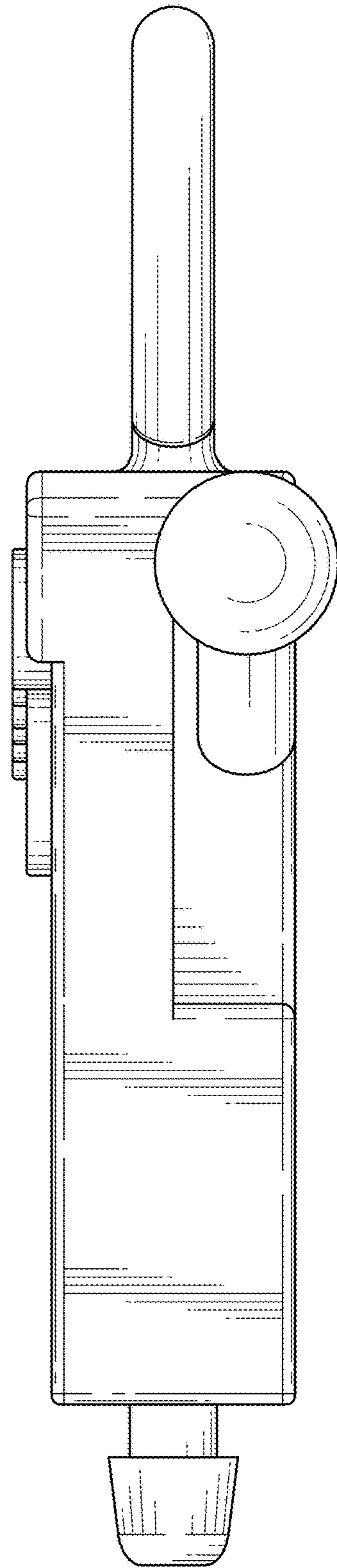


FIG. 5

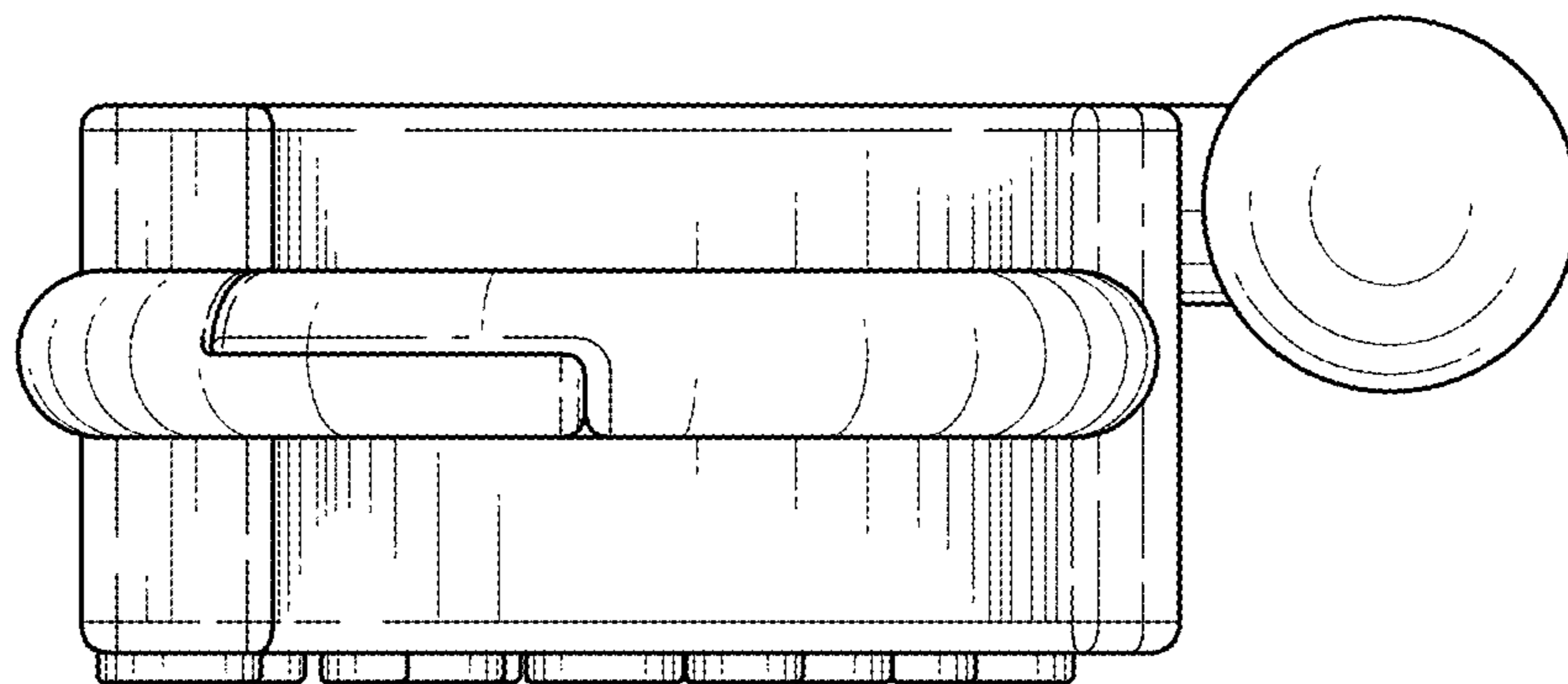


FIG. 6

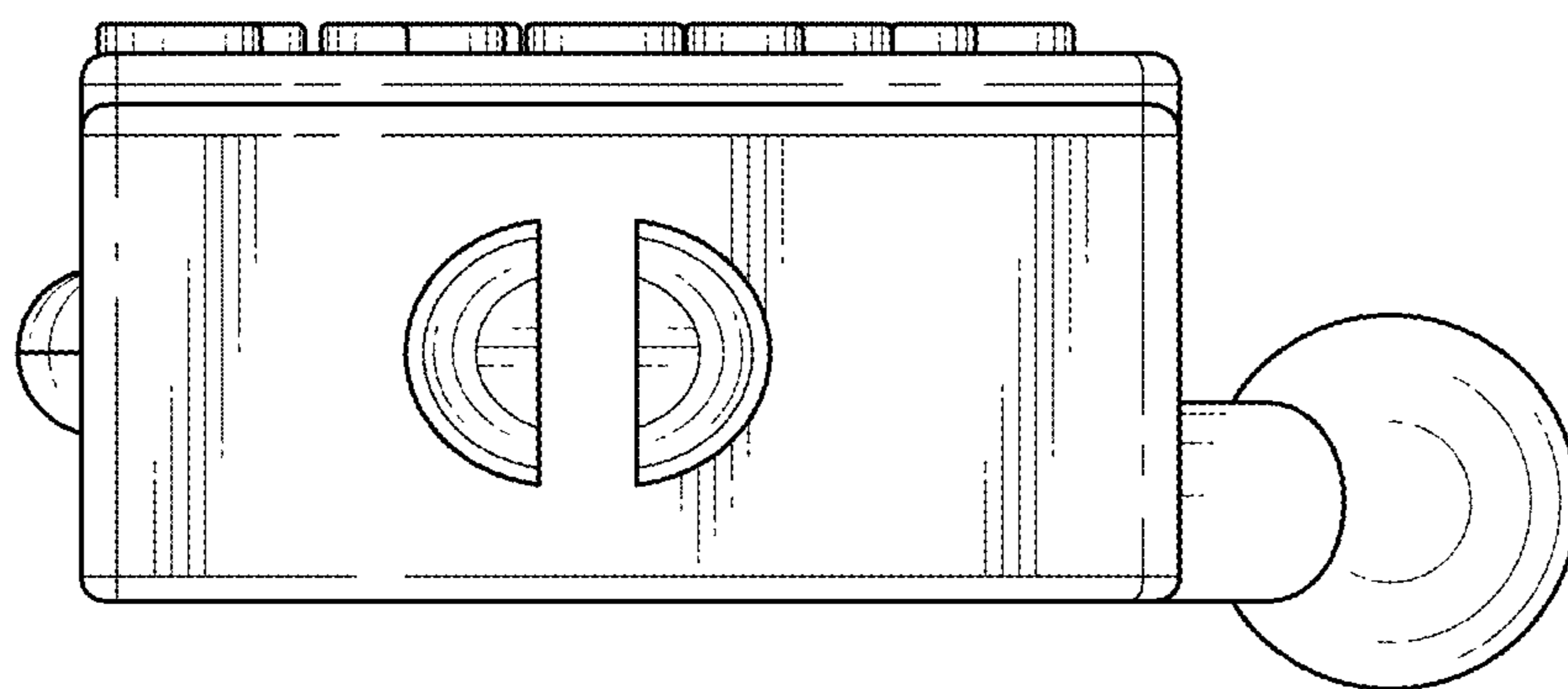


FIG. 7