



US00D790630S

(12) **United States Design Patent** (10) **Patent No.:** **US D790,630 S**
Mueller et al. (45) **Date of Patent:** **** Jun. 27, 2017**

(54) **TAPE DISPENSER**
(71) Applicant: **3M INNOVATIVE PROPERTIES COMPANY**, St. Paul, MN (US)
(72) Inventors: **Gerald E. Mueller**, Eagan, MN (US); **Traxton J. Turner**, Maplewood, MN (US); **Yin C. Quintero**, St. Paul, MN (US); **Alonso M. Hernandez**, St. Paul, MN (US); **Andrew C. Hyde**, St. Paul, MN (US)
(73) Assignee: **3M INNOVATIVE PROPERTIES COMPANY**, St. Paul, MN (US)

D248,561 S * 7/1978 Deering, Jr. D19/69
D289,180 S * 4/1987 Crawford D19/69
D310,104 S * 8/1990 Uchida D19/67
D318,690 S * 7/1991 Huang D19/67
D331,071 S * 11/1992 Dotterman D19/67
D359,511 S * 6/1995 Nash D19/67
D430,213 S * 8/2000 Huang D19/67
6,311,923 B1 * 11/2001 Tsai B65H 35/0026
242/588.6
6,533,153 B2 * 3/2003 Huang B65H 35/0026
225/47
D486,521 S 2/2004 Crawford
D504,155 S 4/2005 Crawford
D541,865 S * 5/2007 Kent D19/69
D541,866 S * 5/2007 Kent D19/69
D553,686 S * 10/2007 Chen D19/69

(Continued)

(**) Term: **15 Years**

(21) Appl. No.: **29/547,800**
(22) Filed: **Dec. 8, 2015**
(51) **LOC (10) Cl.** **19-02**
(52) **U.S. Cl.**
USPC **D19/69**
(58) **Field of Classification Search**
USPC D19/67, 68, 69
CPC ... A61F 15/002; B65H 35/002; B65H 35/008;
B65H 35/0026; B65H 35/0033; B65H
35/0066; B65H 2515/30; C09J 7/04; C09J
7/045; C09J 7/048
See application file for complete search history.

(56) **References Cited**
U.S. PATENT DOCUMENTS
2,102,431 A * 12/1937 McNamara B41J 29/15
281/6
D186,483 S * 10/1959 Reinecke D19/68
D190,781 S * 6/1961 Reinecke D19/69
D226,358 S * 2/1973 Macowski D19/69
3,743,151 A * 7/1973 Malcolm B65H 35/002
225/47
D230,637 S * 3/1974 Clement D18/99

OTHER PUBLICATIONS

Elle Deco, Jan. 10, 2012, No. 1, vol. 21, P114.

Primary Examiner — Elizabeth Albert

(74) *Attorney, Agent, or Firm* — Irina Hass

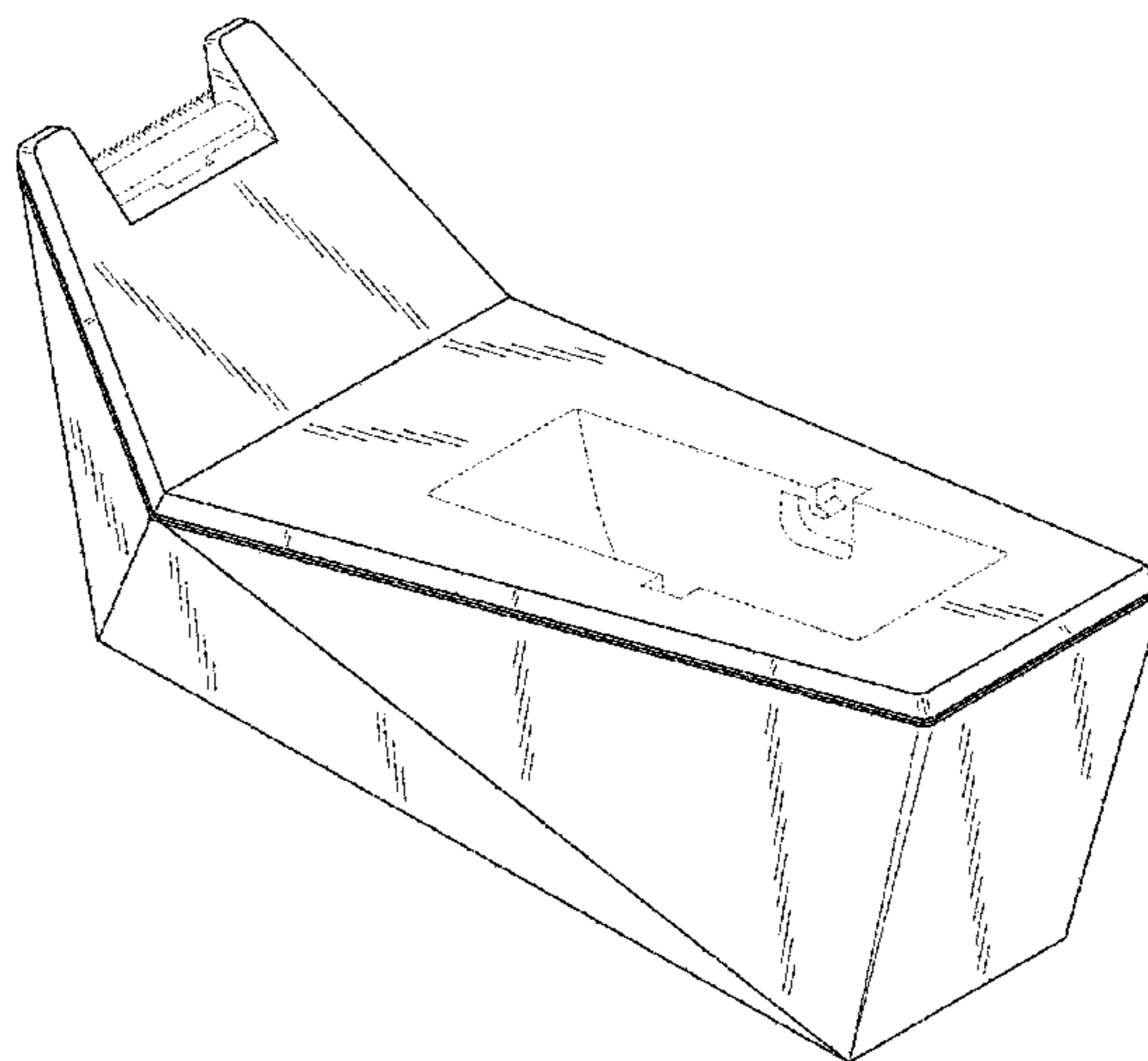
(57) **CLAIM**

The ornamental design for a tape dispenser, as shown and described.

DESCRIPTION

FIG. 1 is a perspective view showing a new design for a tape dispenser;
FIG. 2 is a left side view thereof;
FIG. 3 is a top view thereof;
FIG. 4 is a front view thereof, a rear view being a mirror image thereof;
FIG. 5 is a bottom view thereof; and,
FIG. 6 is a right side view thereof.
The portions of the tape dispenser in FIGS. 1-6 shown in broken lines are included to show features that form no part of the claimed design.

1 Claim, 3 Drawing Sheets



(56)

References Cited

U.S. PATENT DOCUMENTS

7,347,396 B1 * 3/2008 Yu Chen B65H 35/0026
225/47
D568,399 S * 5/2008 Yu Chen D19/69
D619,173 S * 7/2010 Chiu D19/69
D630,252 S * 1/2011 Abulaf D19/69
7,918,262 B2 * 4/2011 Chiu B65H 35/0026
156/510
D647,566 S * 10/2011 Yuan D19/69
D710,939 S * 8/2014 Wu D19/69
2003/0146339 A1 * 8/2003 Liu B65H 16/005
242/596.4
2004/0084496 A1 * 5/2004 Yu Chen B65H 35/0026
225/25

* cited by examiner

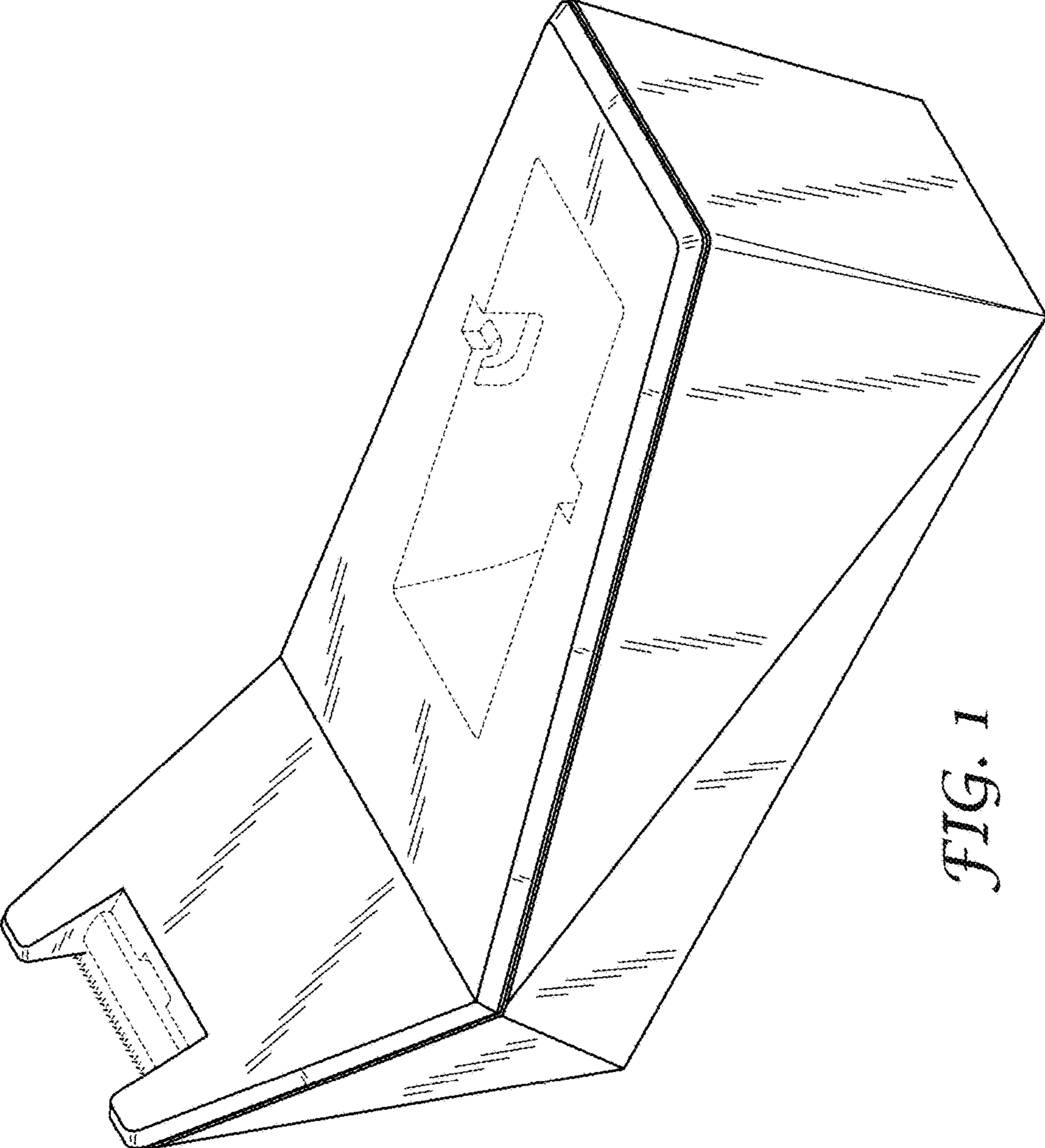


FIG. 1

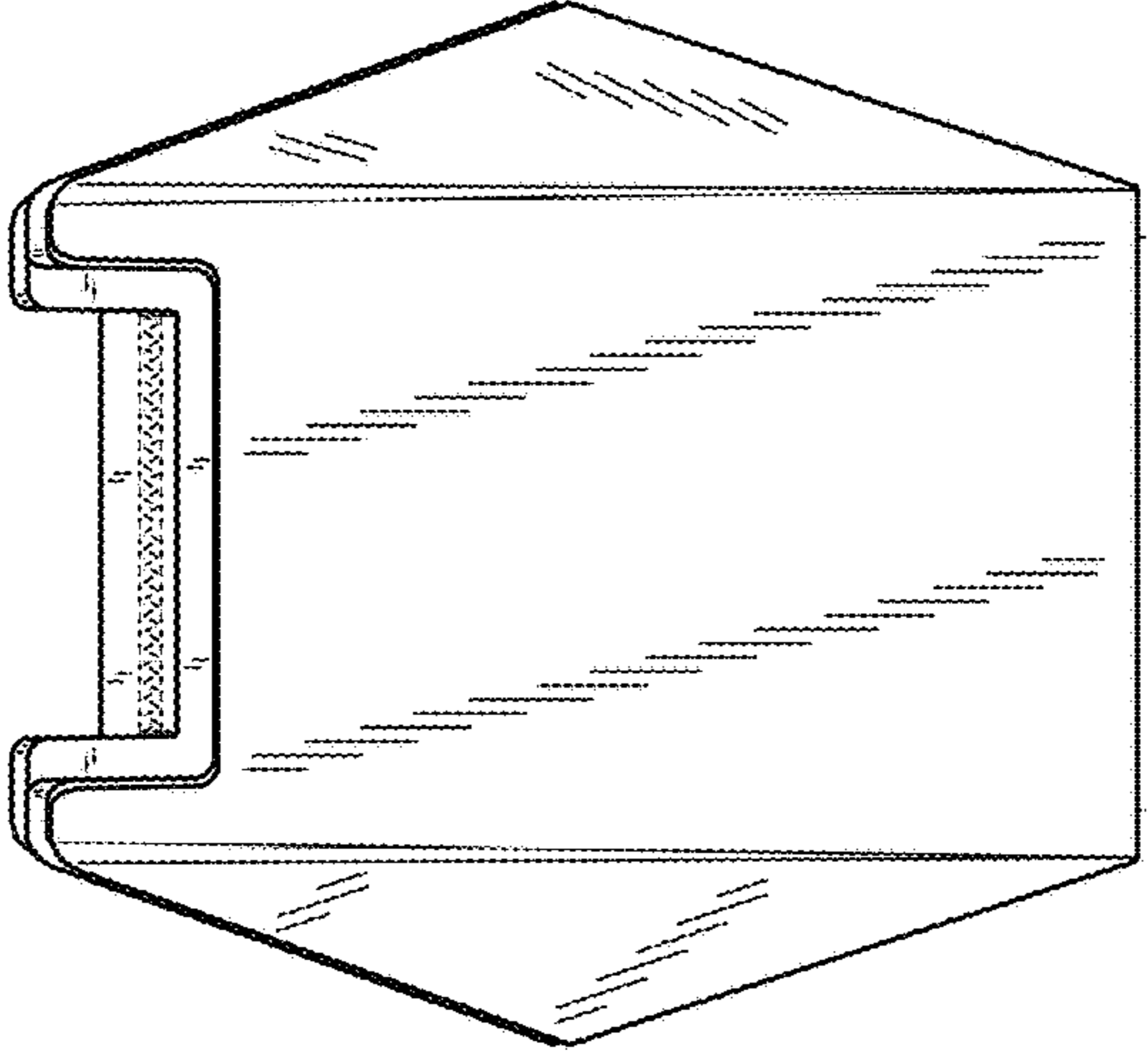


FIG. 2

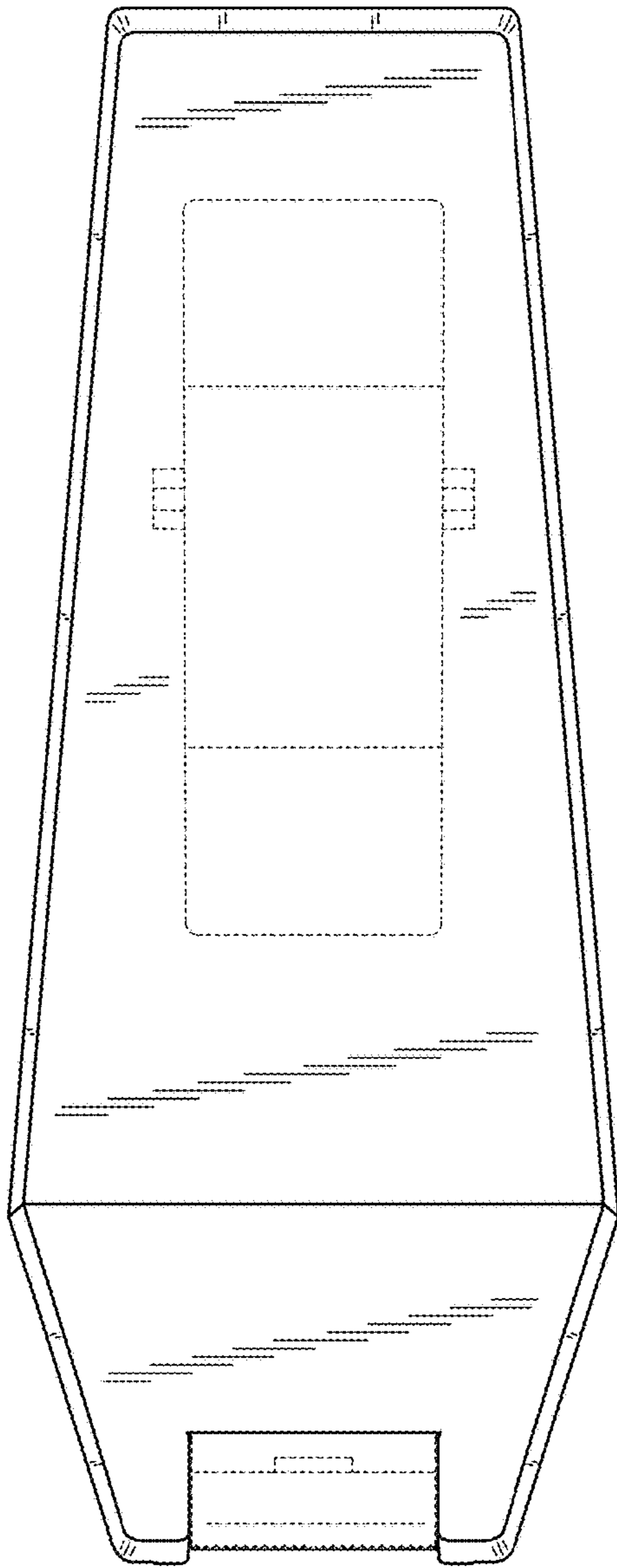


FIG. 3

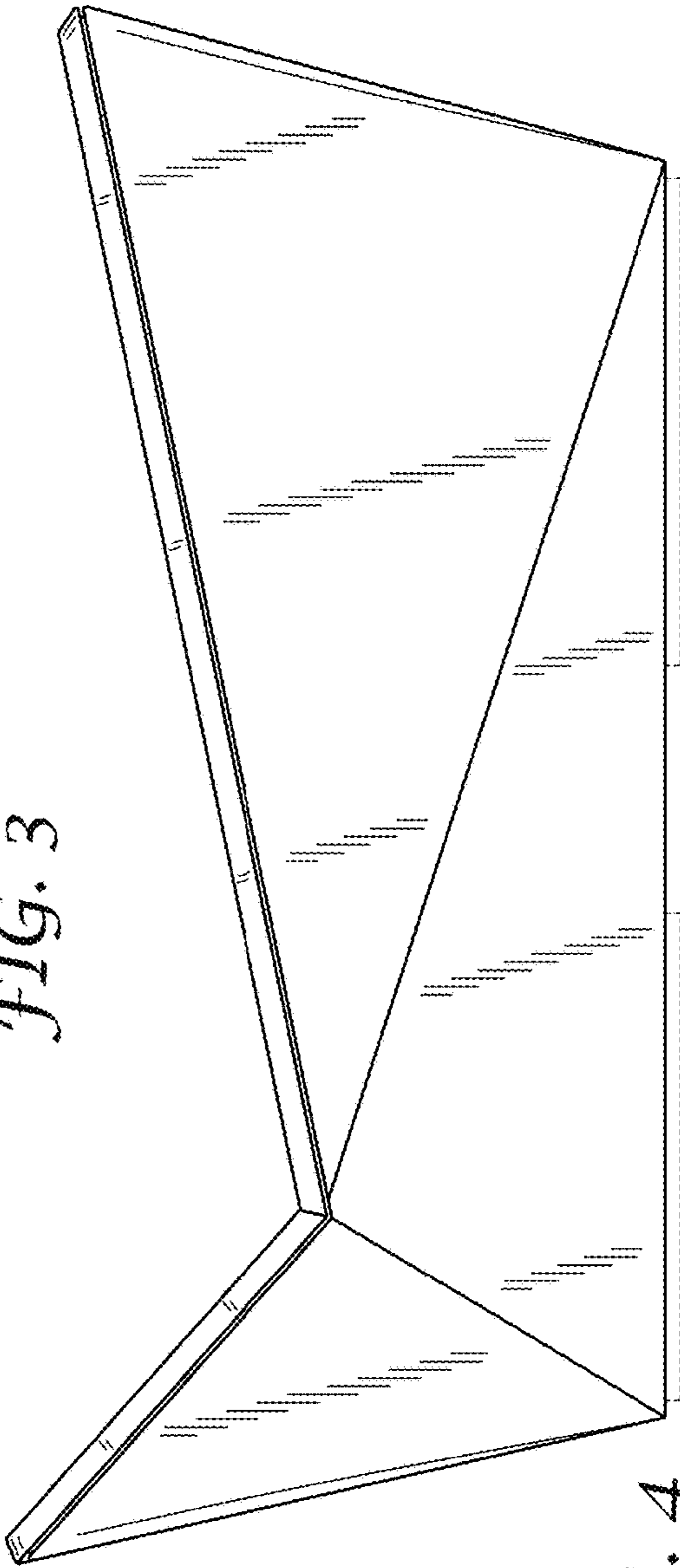


FIG. 4

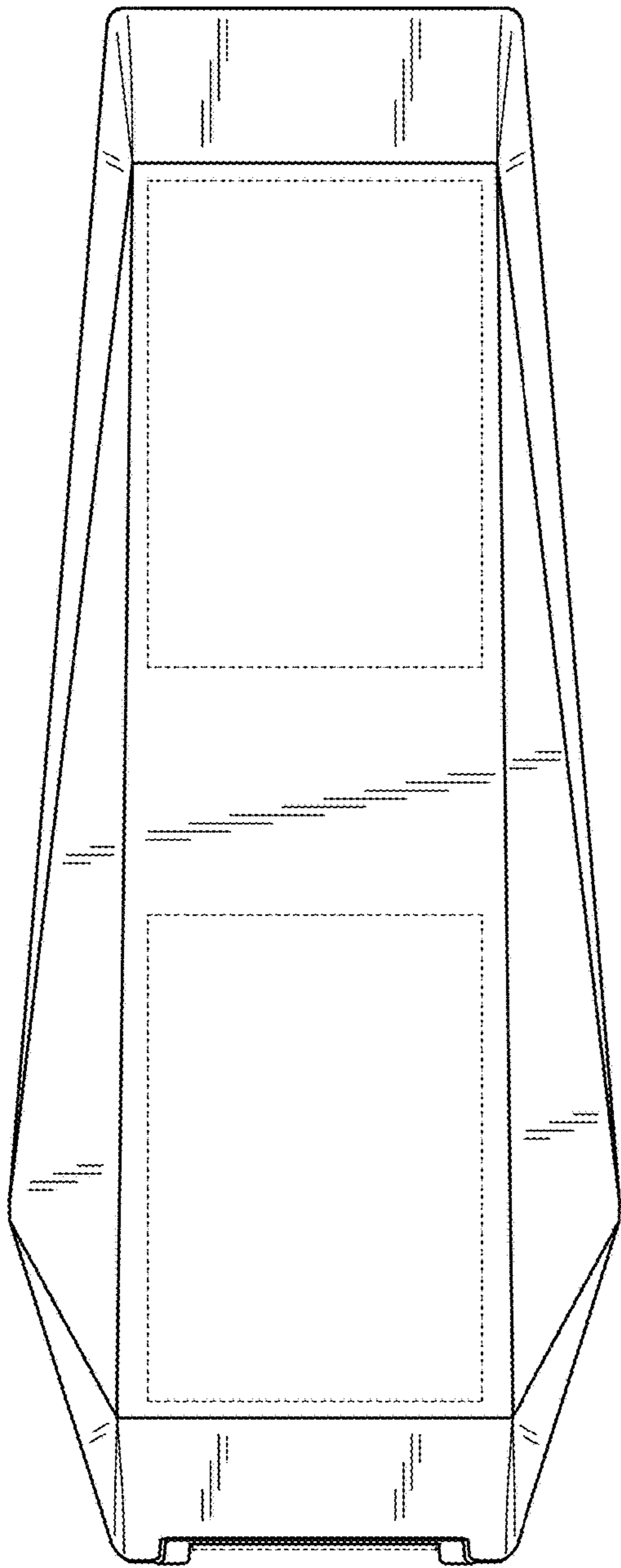


FIG. 5

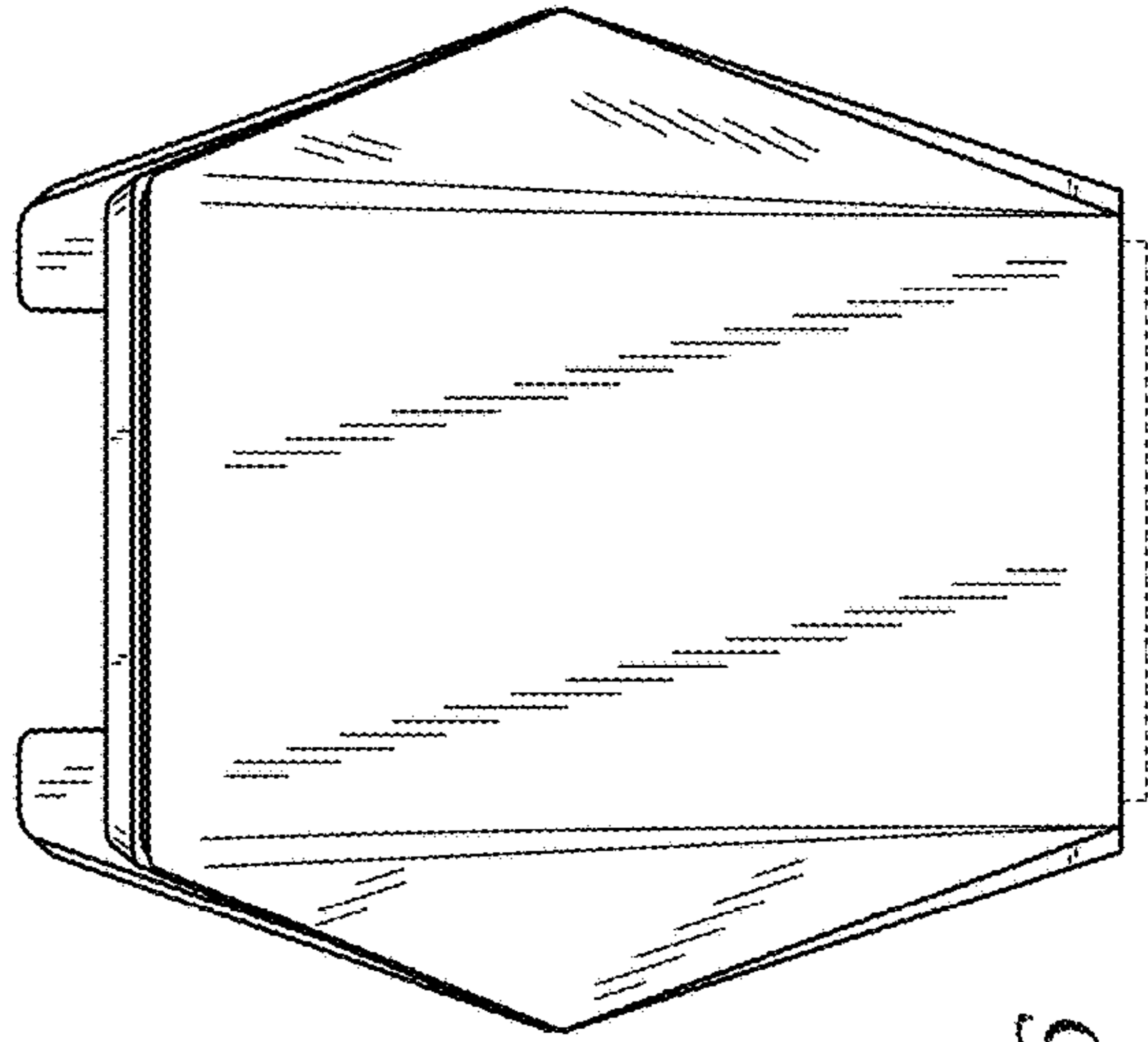


FIG. 6