



US00D790626S

(12) **United States Design Patent** (10) **Patent No.:** **US D790,626 S**
Inada (45) **Date of Patent:** **** Jun. 27, 2017**

(54) **PRINTER**

(71) Applicant: **BROTHER INDUSTRIES, LTD.**,
Nagoya-shi, Aichi-ken (JP)

(72) Inventor: **Toshiya Inada**, Nagoya (JP)

(73) Assignee: **BROTHER INDUSTRIES, LTD.**,
Nagoya (JP)

(**) Term: **15 Years**

(21) Appl. No.: **29/566,266**

(22) Filed: **May 27, 2016**

(30) **Foreign Application Priority Data**

Dec. 3, 2015 (JP) 2015-27077

(51) **LOC (10) Cl.** **18-02**

(52) **U.S. Cl.**
USPC **D18/56**

(58) **Field of Classification Search**

USPC D18/4.5, 12, 14, 18, 34.5, 40, 56, 34.9,
D18/99, 36, 37, 38, 39, 41, 44, 45, 46,
D18/49, 50, 51, 52, 53, 54, 55; D14/483,
D14/432, 434, 345, 346, 425, 462, 463,
D14/464, 465, 466, 467, 468, 469, 470,
D14/471, 301, 307, 129, 130, 299;
399/1-7, 16, 75, 81, 107, 130, 361, 355,
399/381-383, 388; 101/113; 358/1.1;
355/18, 23, 97; 400/613; 271/278, 226,
271/8.1, 3.14; D15/122, 138, 199;
347/7, 86

CPC B41J 29/13; B41J 15/04; B41J 2/17553

See application file for complete search history.

(56) **References Cited**

U.S. PATENT DOCUMENTS

D549,772 S *	8/2007	Mase	D18/55
D723,615 S *	3/2015	Sato	D18/50
D725,185 S *	3/2015	Kim	D18/55
D750,164 S *	2/2016	So	D18/50
D769,967 S *	10/2016	Kim	D18/55
D778,984 S *	2/2017	Kim	D18/56

FOREIGN PATENT DOCUMENTS

JP D1504659 S 8/2014

* cited by examiner

Primary Examiner — Susan E Krakower

Assistant Examiner — Michael Maharajh

(74) *Attorney, Agent, or Firm* — Oliff PLC

(57) **CLAIM**

The ornamental design for a printer, as shown and described.

DESCRIPTION

FIG. 1 is a perspective view of a printer, showing my new design;

FIG. 2 is a front elevational view thereof;

FIG. 3 is a top plan view thereof;

FIG. 4 is a right-side elevation view thereof;

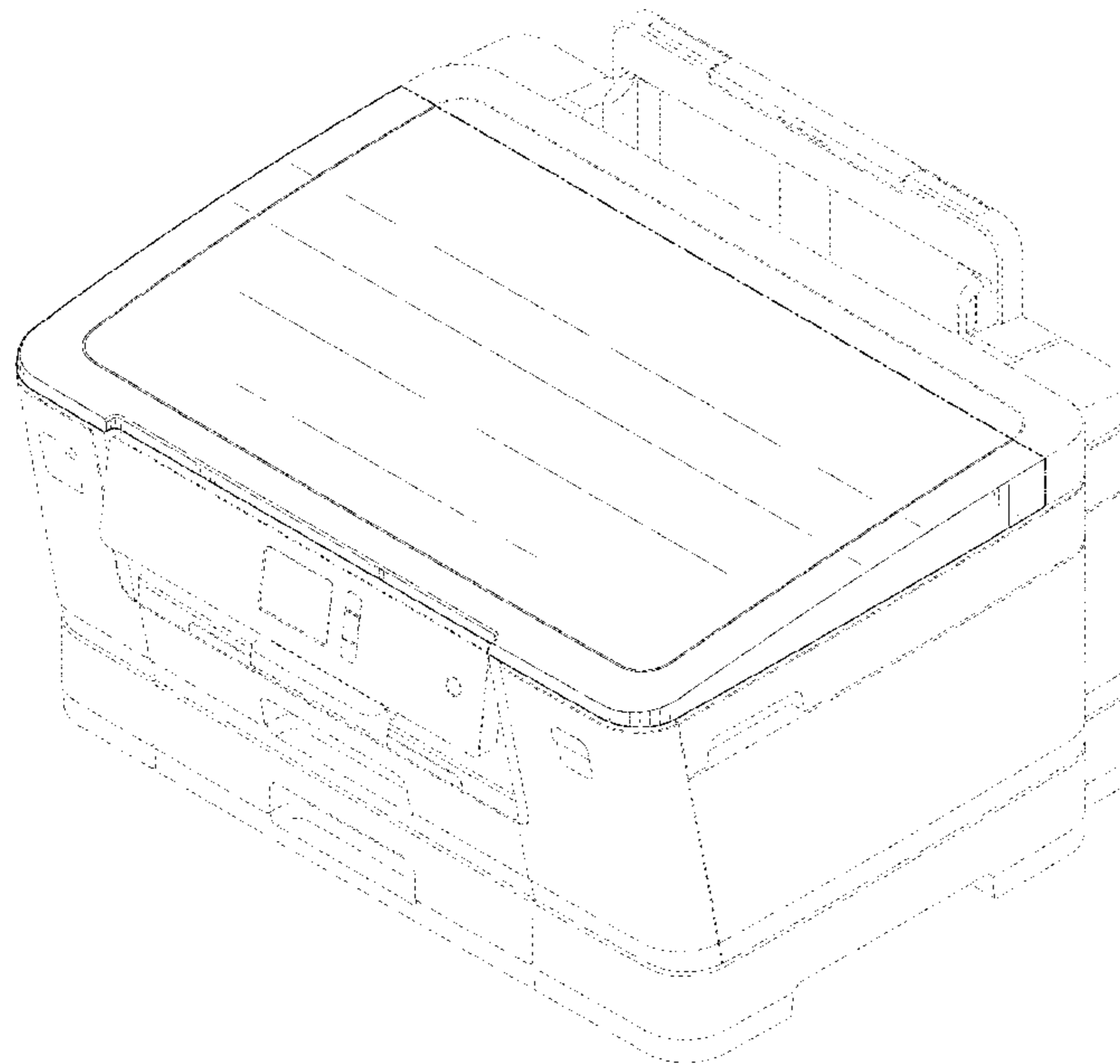
FIG. 5 is a left-side elevation view thereof;

FIG. 6 is a rear elevation view thereof; and,

FIG. 7 is bottom plan view thereof.

The broken lines depict environmental subject matter only and form no part of the claimed design. The dot-dash lines represent a boundary between claimed and unclaimed subject matter, and form no part of the claimed design.

1 Claim, 7 Drawing Sheets



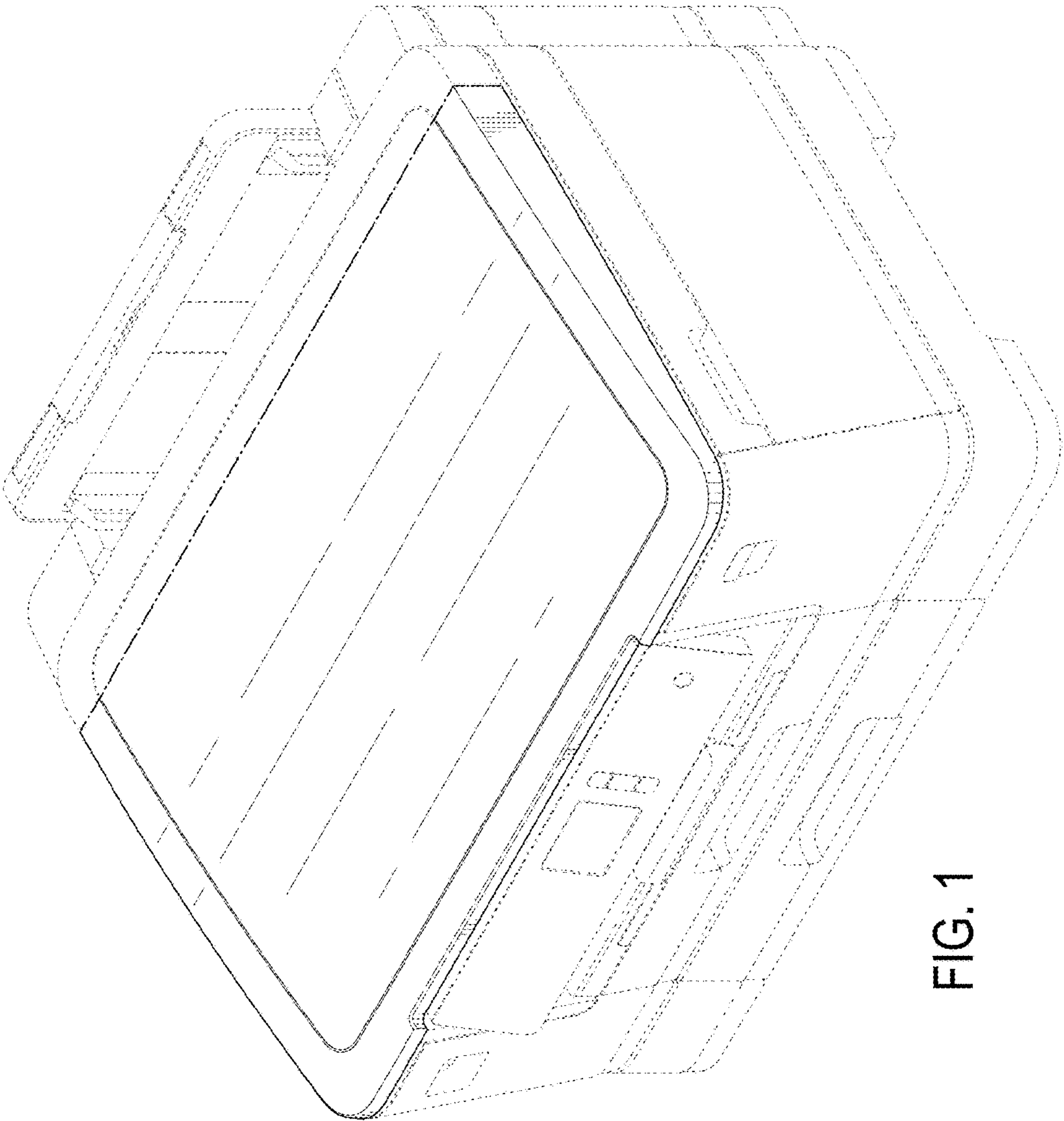


FIG. 1

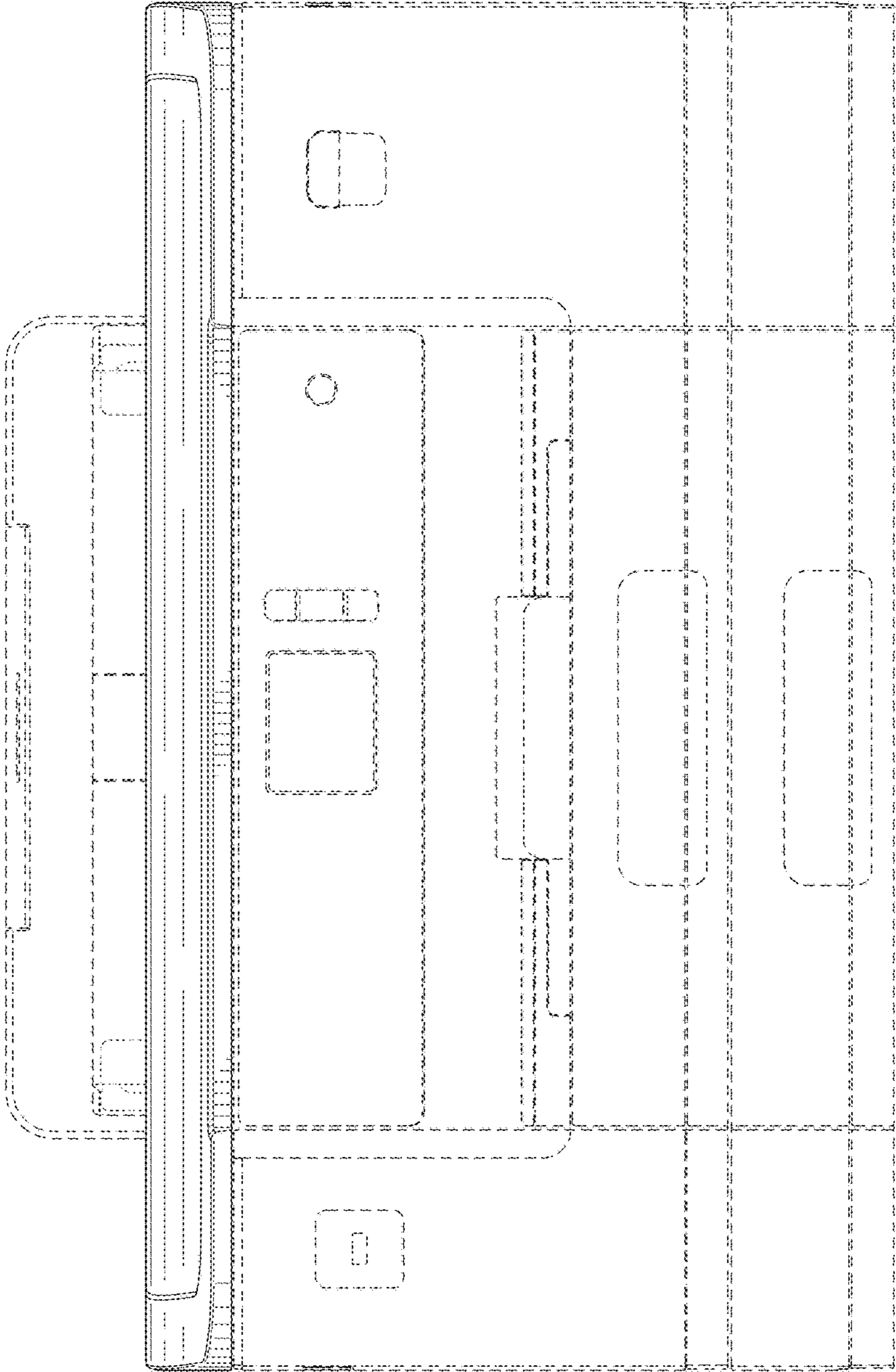


FIG. 2

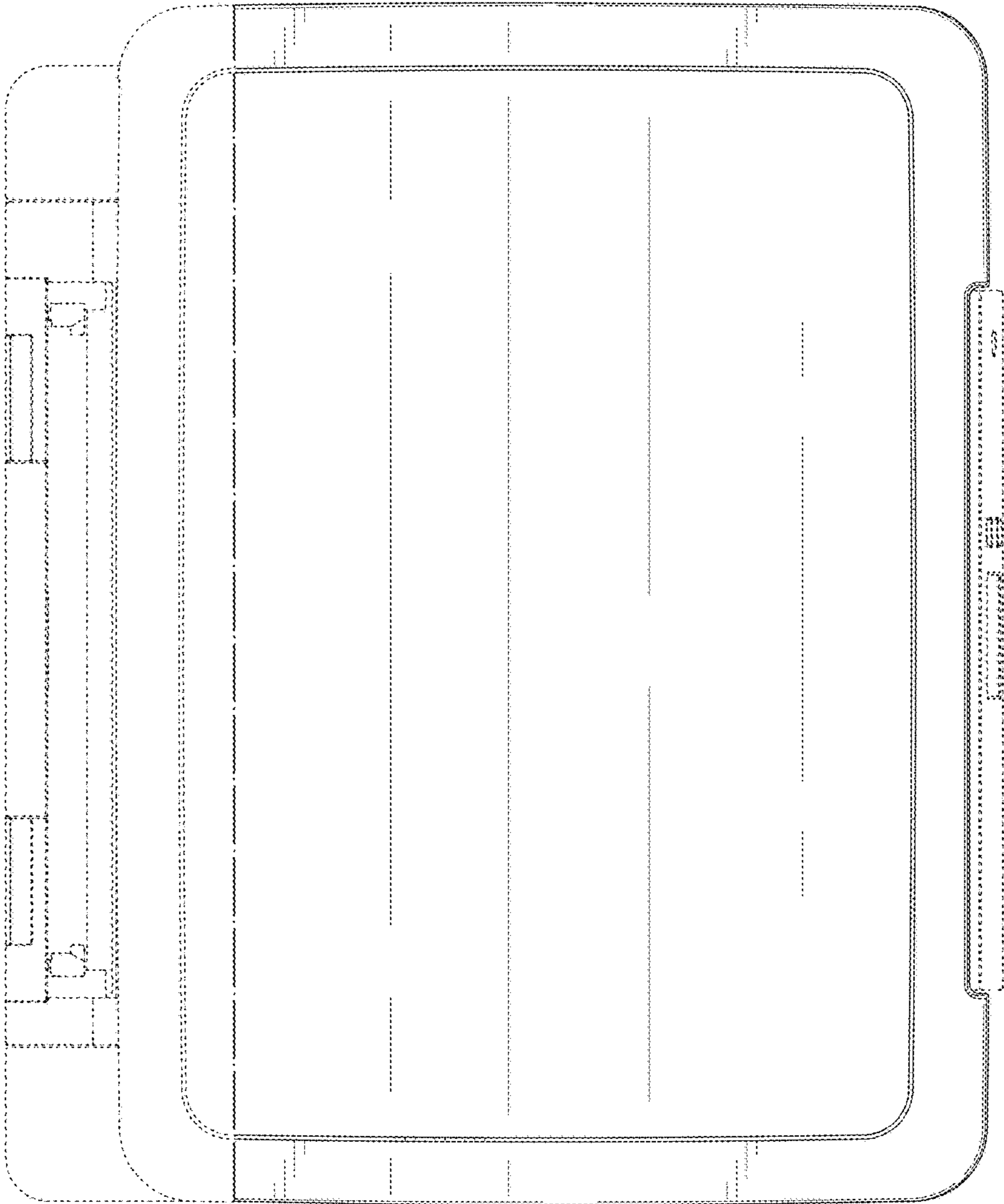


FIG. 3

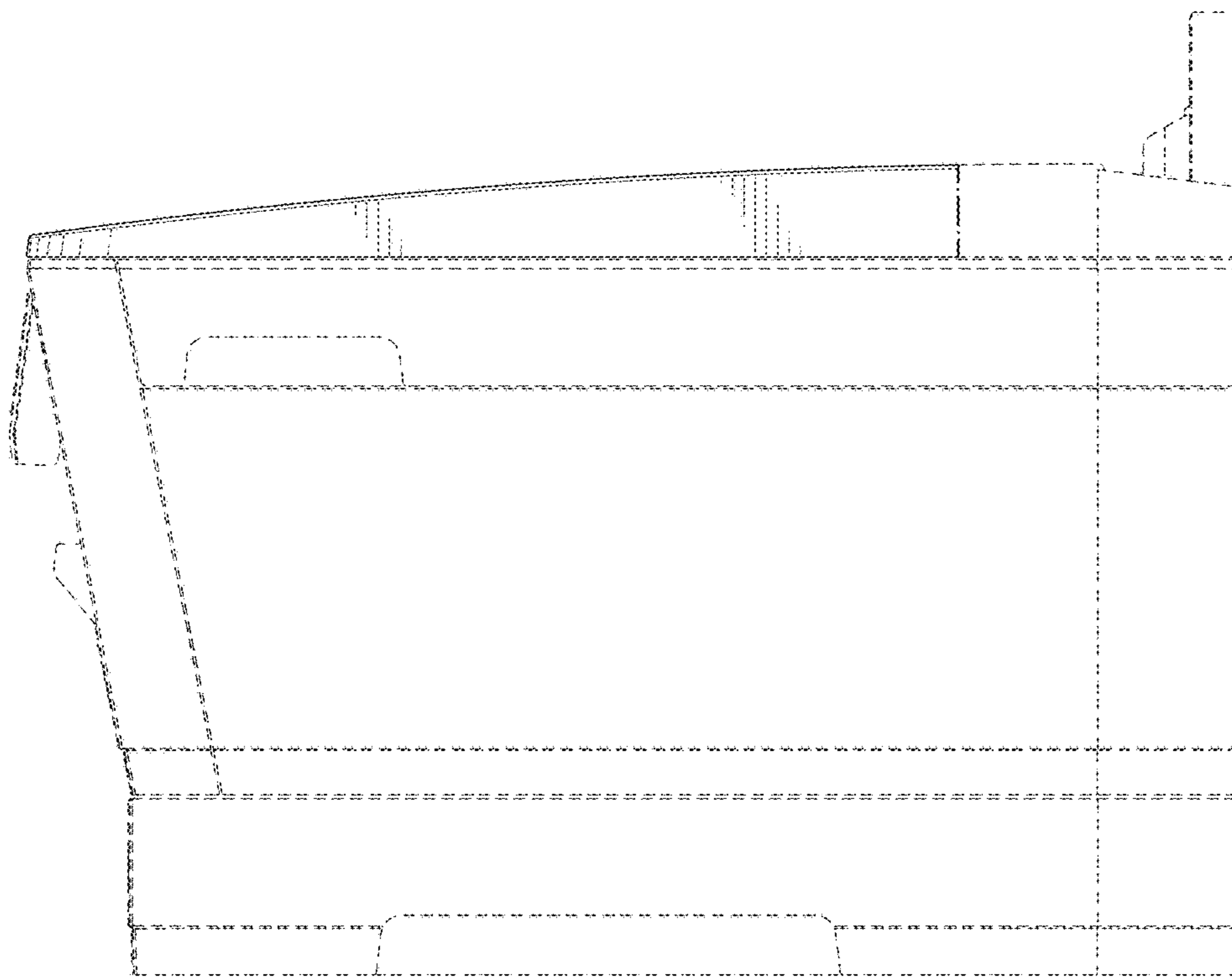


FIG. 4

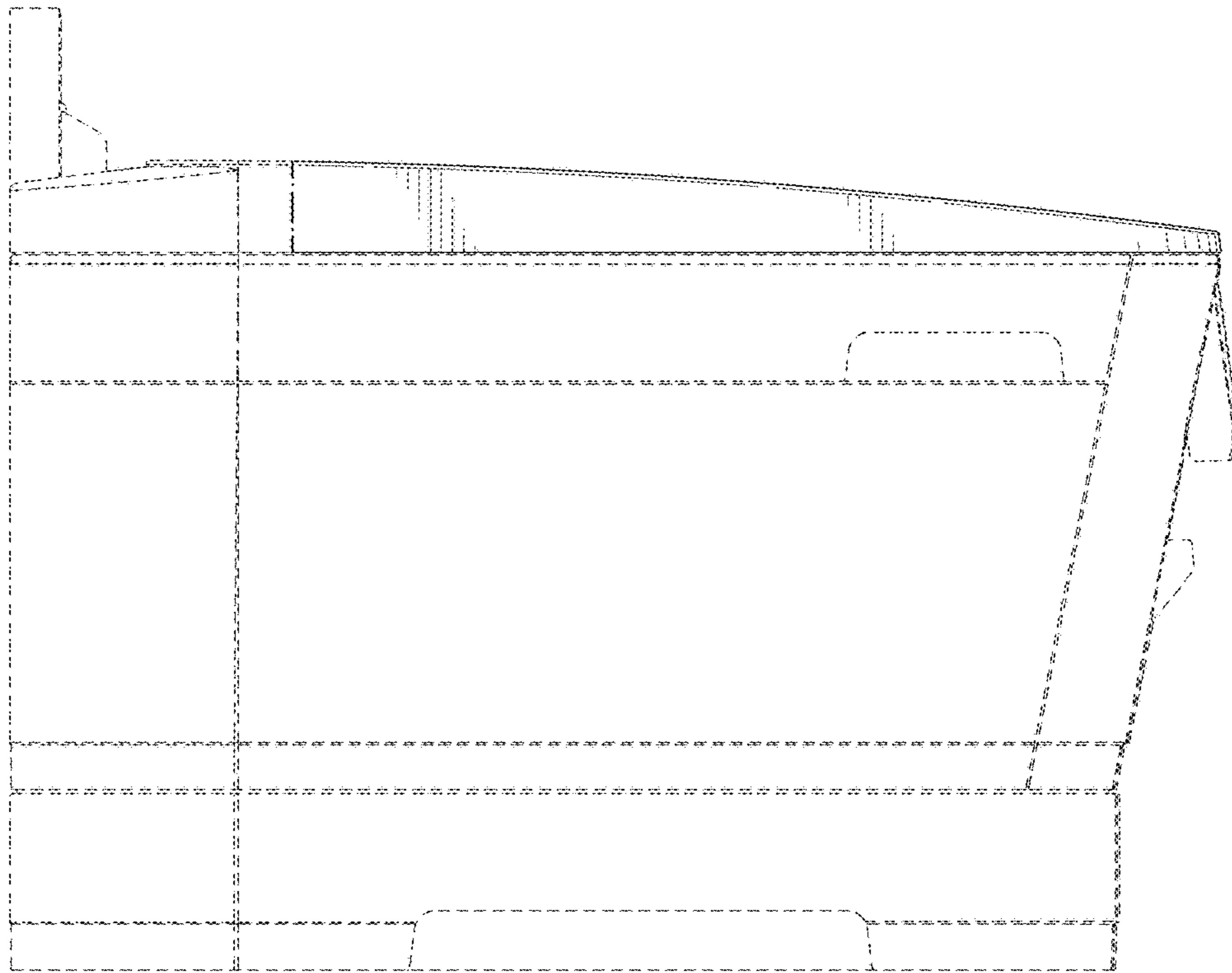


FIG. 5

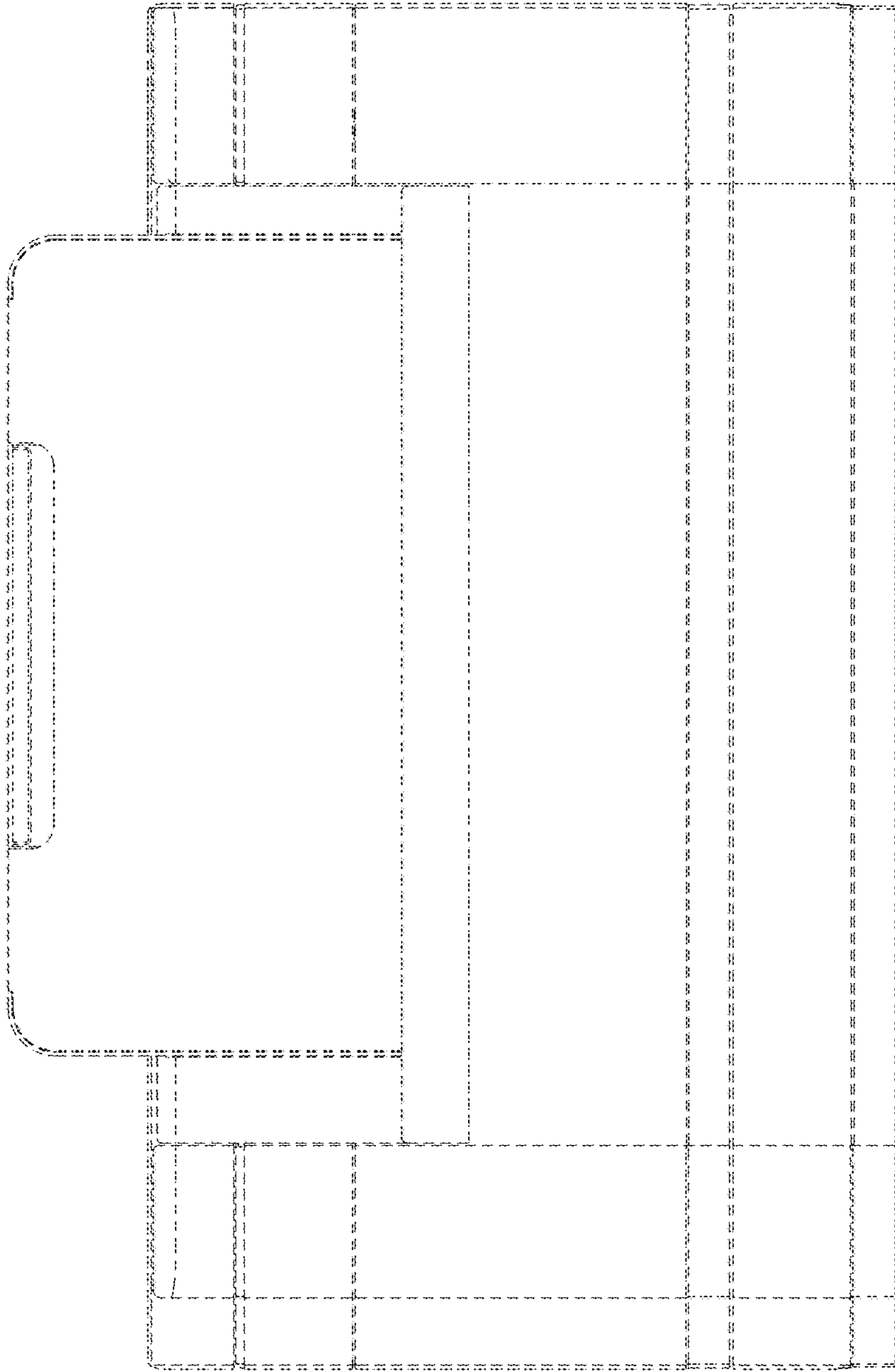


FIG. 6

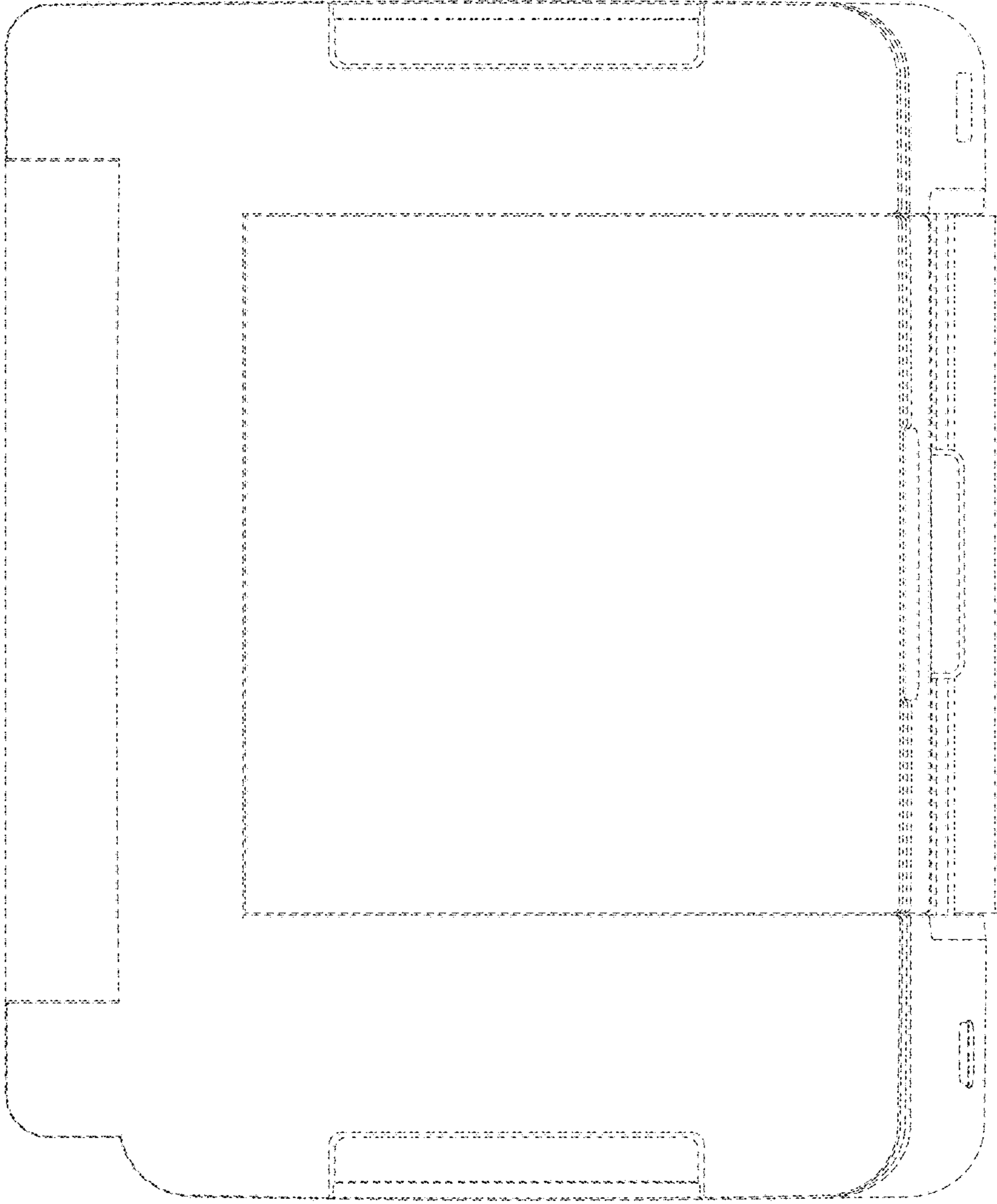


FIG. 7