



US00D790625S

(12) **United States Design Patent** (10) **Patent No.:** **US D790,625 S**  
**Peng** (45) **Date of Patent:** **\*\* Jun. 27, 2017**

(54) **MULTI-FUNCTION PRINTER**  
 (71) Applicant: **AVISION INC.**, Hsinchu (TW)  
 (72) Inventor: **Chao-Yu Peng**, Hsinchu (TW)  
 (73) Assignee: **AVISION INC.**, Hsinchu (TW)  
 (\*\*) Term: **15 Years**  
 (21) Appl. No.: **29/566,141**

(22) Filed: **May 27, 2016**  
 (51) **LOC (10) Cl.** ..... **18-02**  
 (52) **U.S. Cl.**  
 USPC ..... **D18/56**  
 (58) **Field of Classification Search**  
 USPC ..... D18/36, 37, 39, 40, 41, 44, 45, 46, 47,  
 D18/49, 50, 51, 52, 53, 54, 55, 56, 4.5,  
 D18/12, 14, 18, 34.5, 34.9, 99; D14/462,  
 D14/463, 464, 465, 466, 467, 468, 469,  
 D14/470, 471, 301, 307, 129, 130, 483,  
 D14/432, 434, 345, 346, 425, 356, 441;  
 399/1-7, 16, 75, 81, 107, 130, 361, 365,  
 399/381-383, 388; 101/113; 358/1.1;  
 355/18, 23, 97; 400/613; 271/278, 226,  
 271/8.1, 3.14; D15/138, 199  
 CPC ..... B33Y 30/00; B33Y 50/02; B33Y 50/00;  
 B41J 29/393; G06F 3/1204; G06F  
 3/1237; G06F 3/1243; G06F 3/1258;  
 G06F 17/212; G06F 3/1294  
 See application file for complete search history.

(56) **References Cited**  
 U.S. PATENT DOCUMENTS  
 D537,109 S \* 2/2007 Mizusugi ..... D18/39  
 D537,866 S \* 3/2007 Matsuda ..... D18/39  
 D570,837 S \* 6/2008 Sakamoto ..... D14/301  
 D576,666 S \* 9/2008 Isogai ..... D18/40  
 D583,813 S \* 12/2008 Maier ..... D14/356  
 D624,957 S \* 10/2010 Park ..... D18/39

D665,012 S \* 8/2012 Saito ..... D18/39  
 D694,760 S \* 12/2013 Besterman ..... D14/301  
 D695,522 S \* 12/2013 McCallister ..... D3/300  
 D697,513 S \* 1/2014 Morooka ..... D13/184  
 D697,964 S \* 1/2014 Fukasawa ..... D18/55  
 D727,413 S \* 4/2015 Katsuyama ..... D18/53  
 D727,414 S \* 4/2015 Katsuyama ..... D18/53  
 D727,415 S \* 4/2015 Takeda ..... D18/53  
 D744,031 S \* 11/2015 Tanaka ..... D18/50  
 D749,168 S \* 2/2016 Nakagawa ..... D18/50  
 D758,485 S \* 6/2016 Nakagawa ..... D18/55  
 D761,905 S \* 7/2016 Tanaka ..... D18/56  
 D763,958 S \* 8/2016 Kim ..... D18/53  
 D767,676 S \* 9/2016 So ..... D18/56

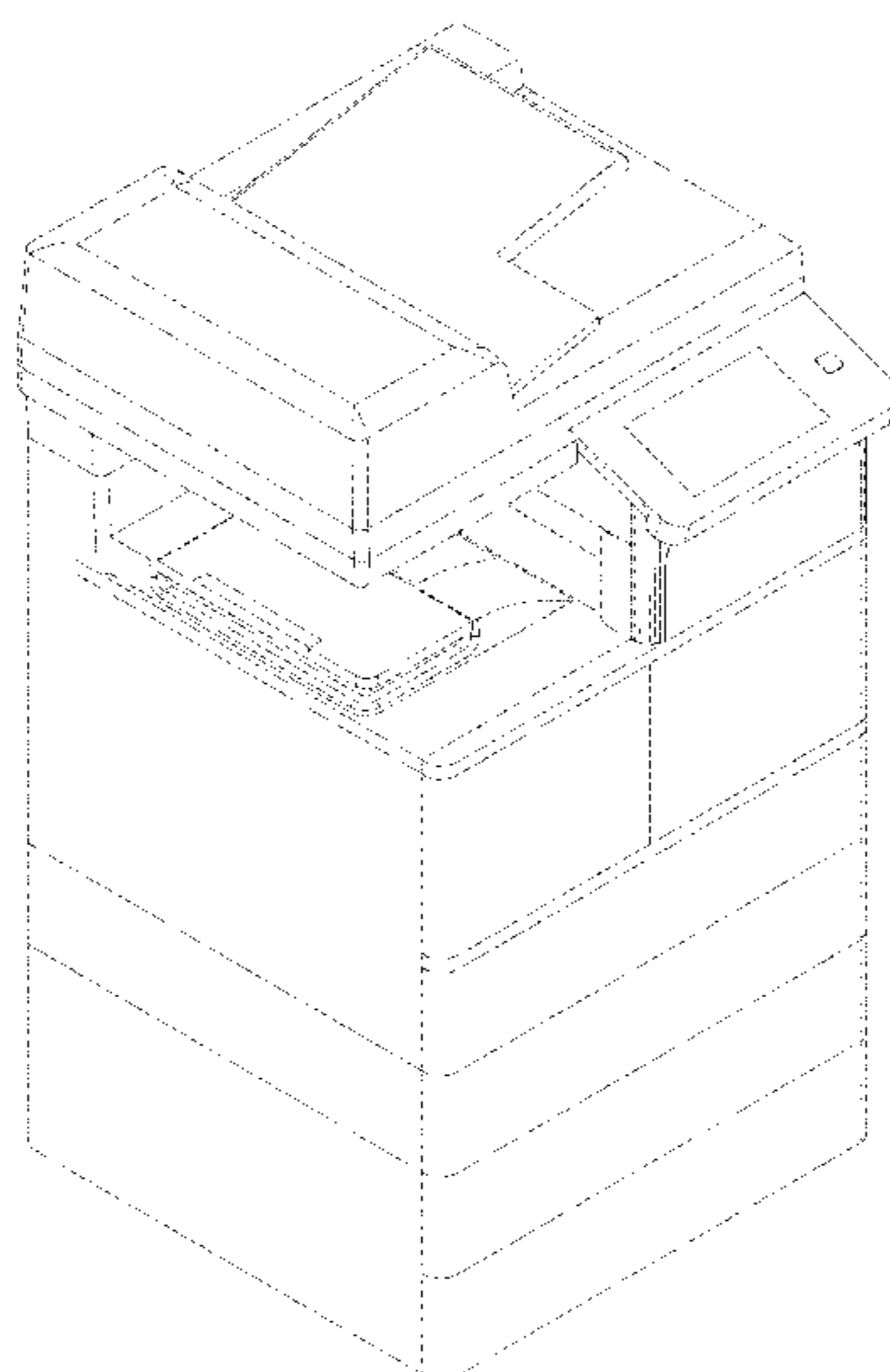
(Continued)

*Primary Examiner* — Cynthia Ramirez  
*Assistant Examiner* — Michael Maharajh  
 (74) *Attorney, Agent, or Firm* — WPAT, PC

(57) **CLAIM**  
 The ornamental design for a multi-function printer, as shown and described.

**DESCRIPTION**  
 FIG. 1 is a first perspective view of a multi-function printer showing my new design;  
 FIG. 2 is a second perspective view thereof;  
 FIG. 3 is a front elevational view thereof;  
 FIG. 4 is a rear elevational view thereof;  
 FIG. 5 is a left-side elevational view thereof;  
 FIG. 6 is a right-side elevational view thereof;  
 FIG. 7 is a top plan view thereof;  
 FIG. 8 is a bottom plan view thereof;  
 FIG. 9 is an enlarged view of an encircled portion in FIG. 5; and,  
 FIG. 10 is an enlarged view of an encircled portion in FIG. 6.  
 The broken lines shown in the figures are for the purpose of illustrating portions of the multi-function printer and form no part of the claimed design.

**1 Claim, 10 Drawing Sheets**



(56)

**References Cited**

U.S. PATENT DOCUMENTS

D767,677 S \* 9/2016 Kim ..... D18/56  
9,456,100 B2 \* 9/2016 Sakakibara ..... H04N 1/0057  
D769,968 S \* 10/2016 So ..... D18/56

\* cited by examiner

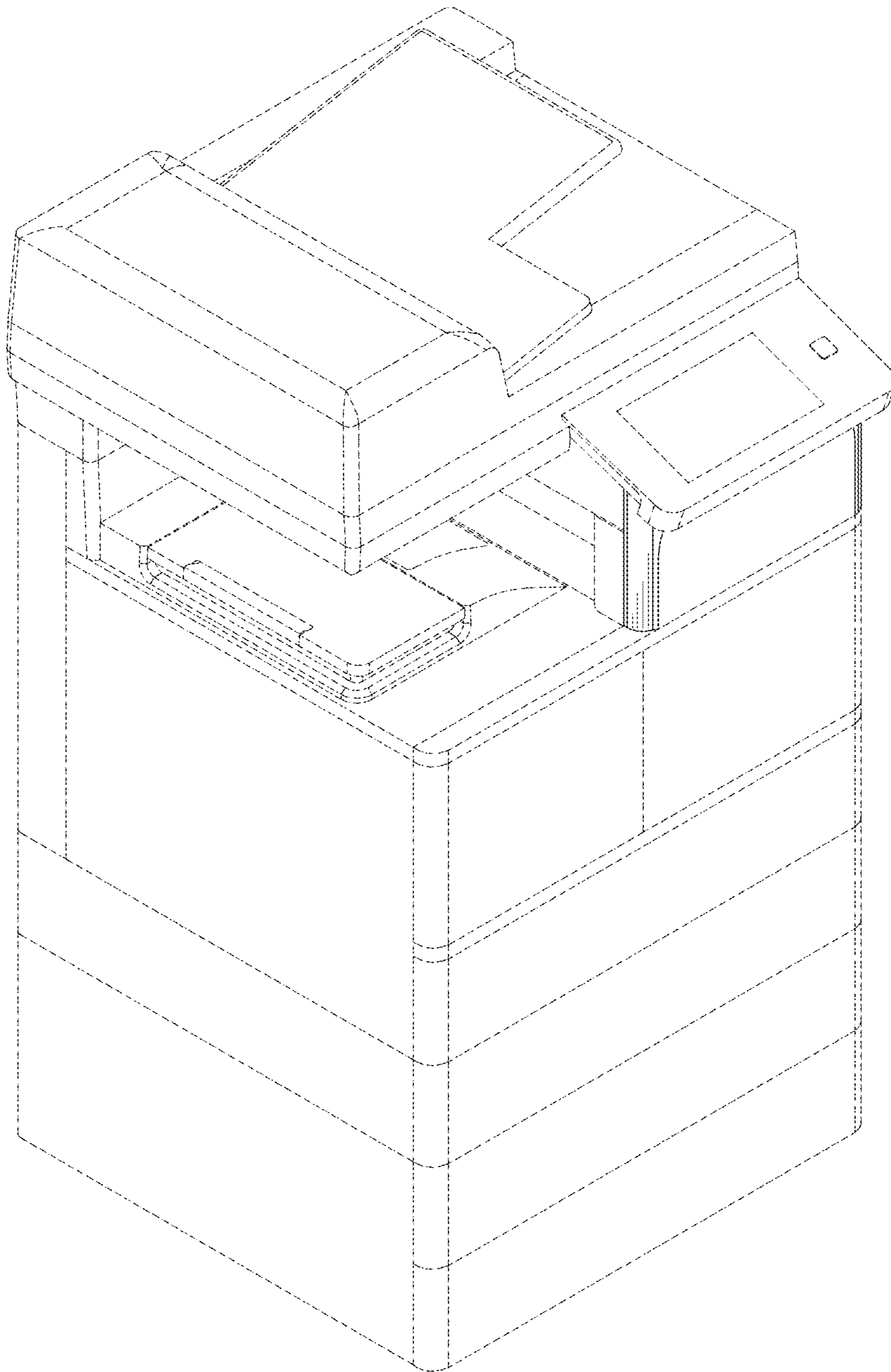


FIG. 1

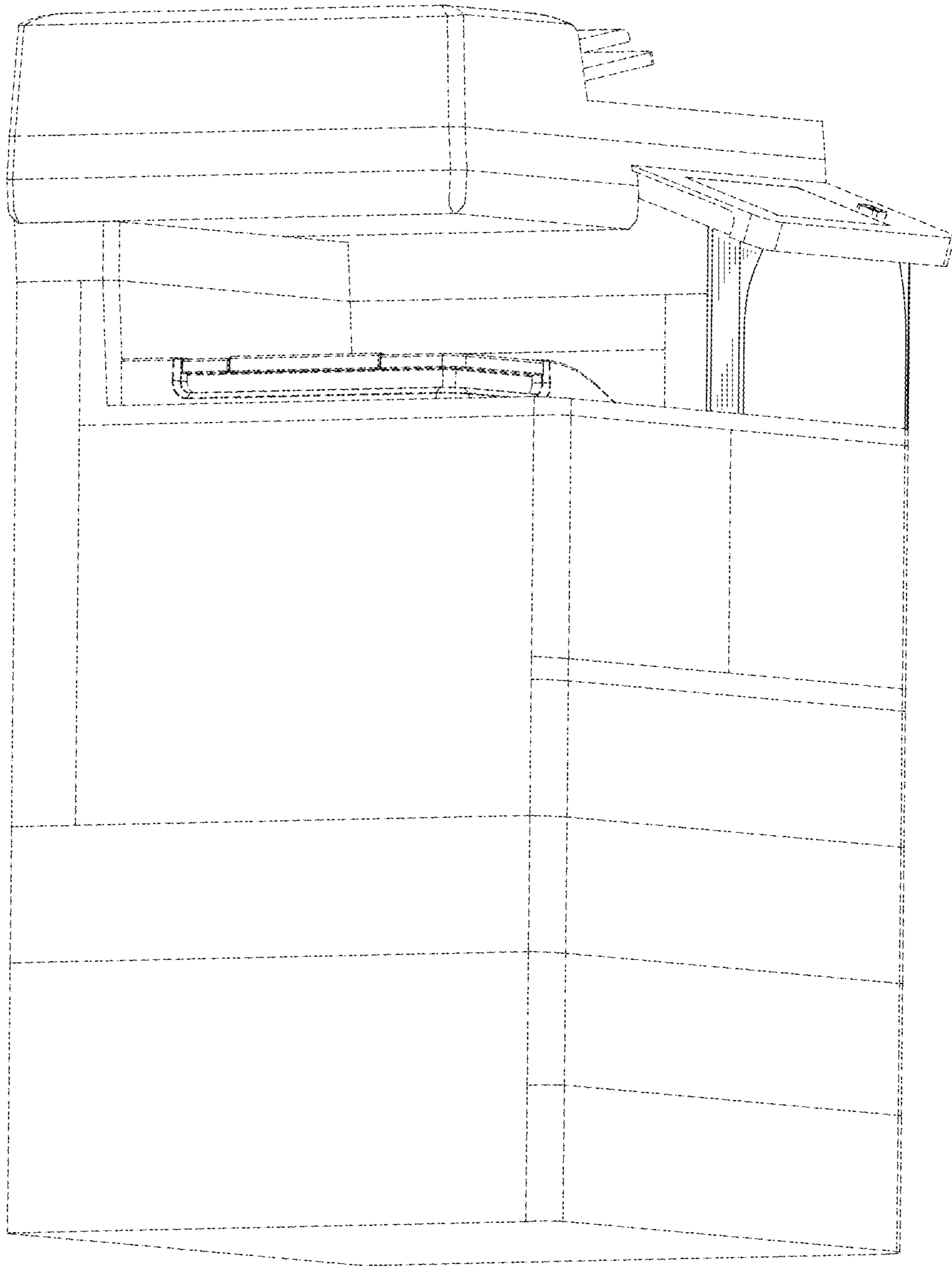


FIG. 2

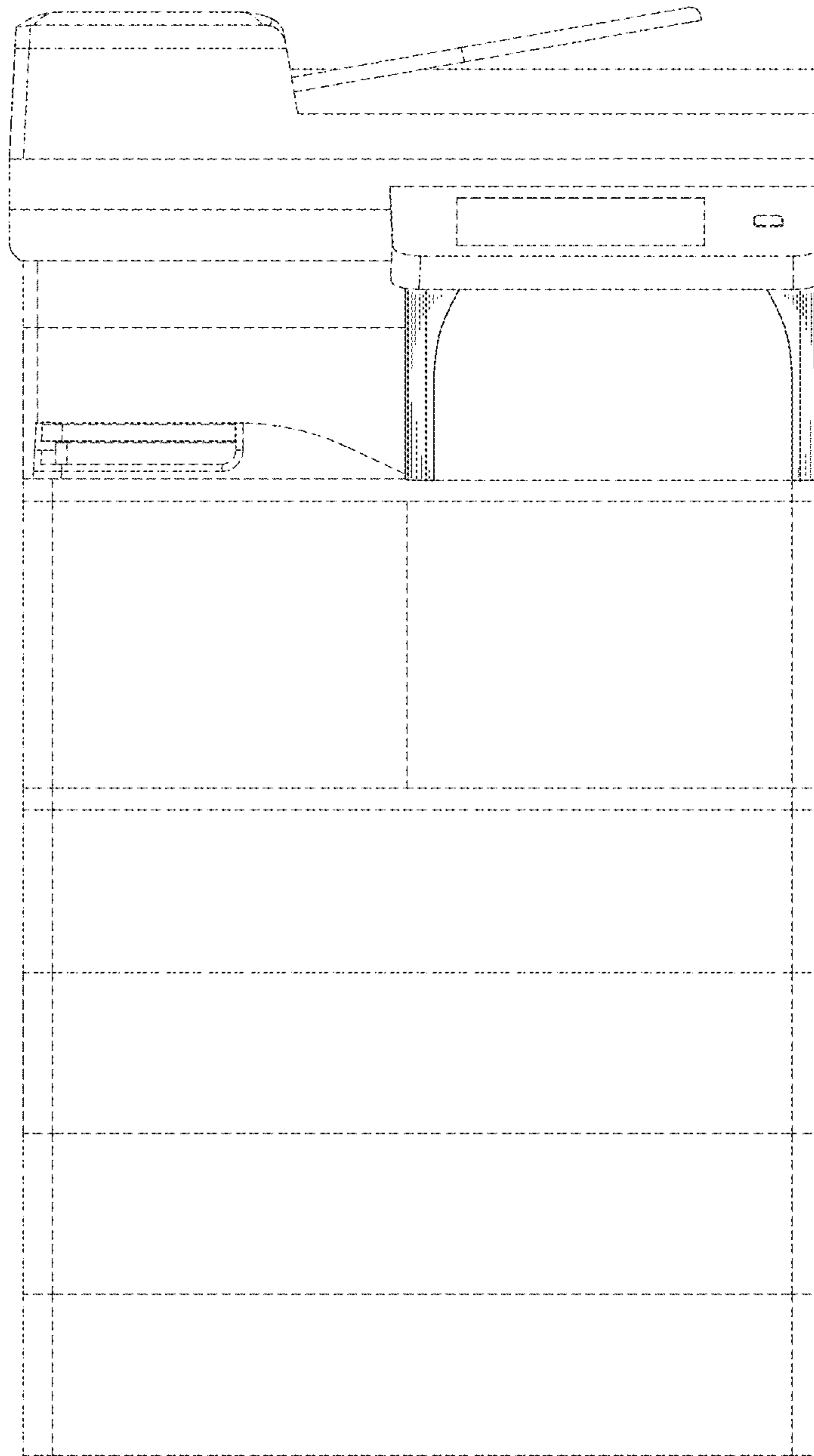


FIG. 3

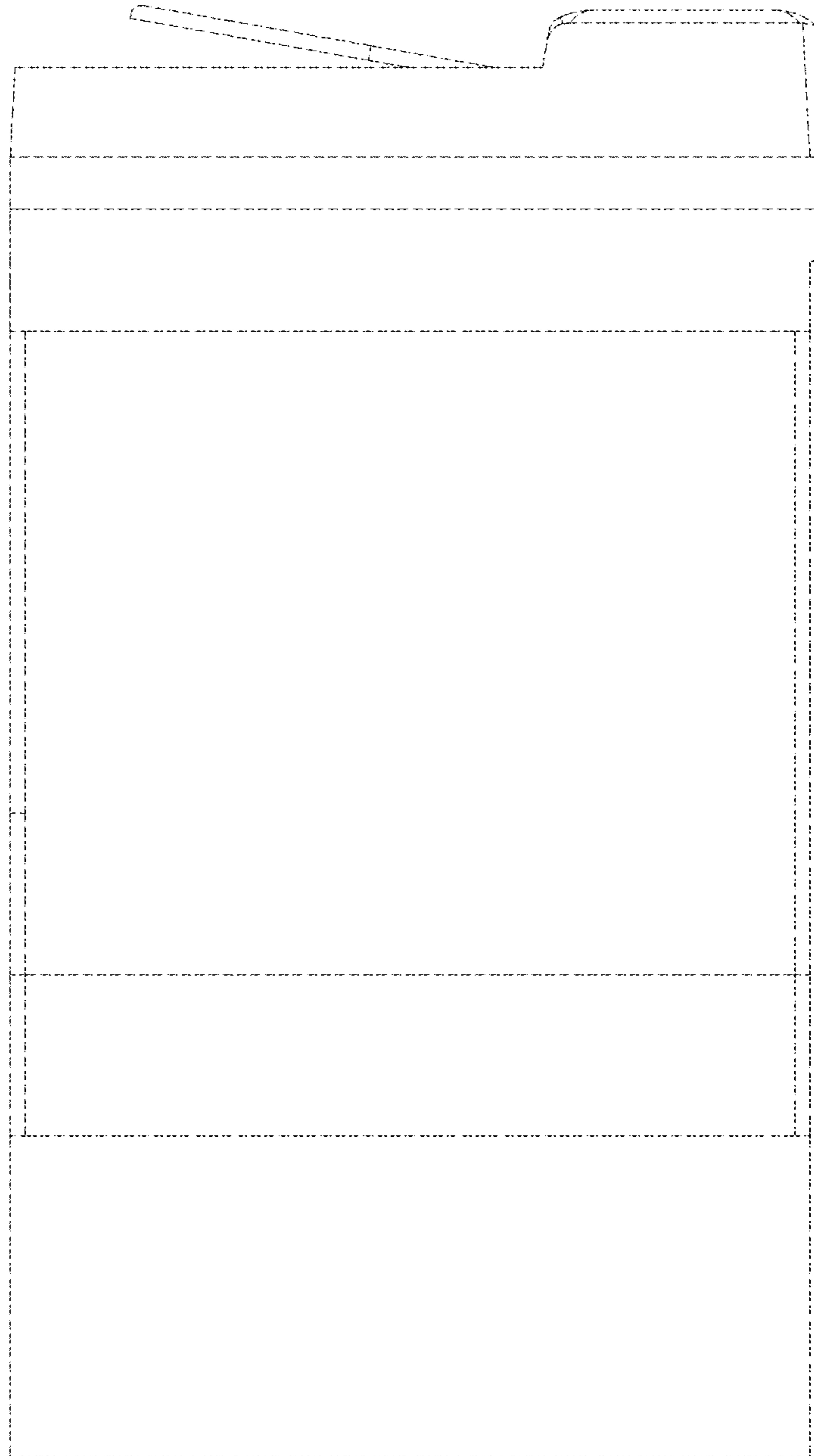


FIG. 4

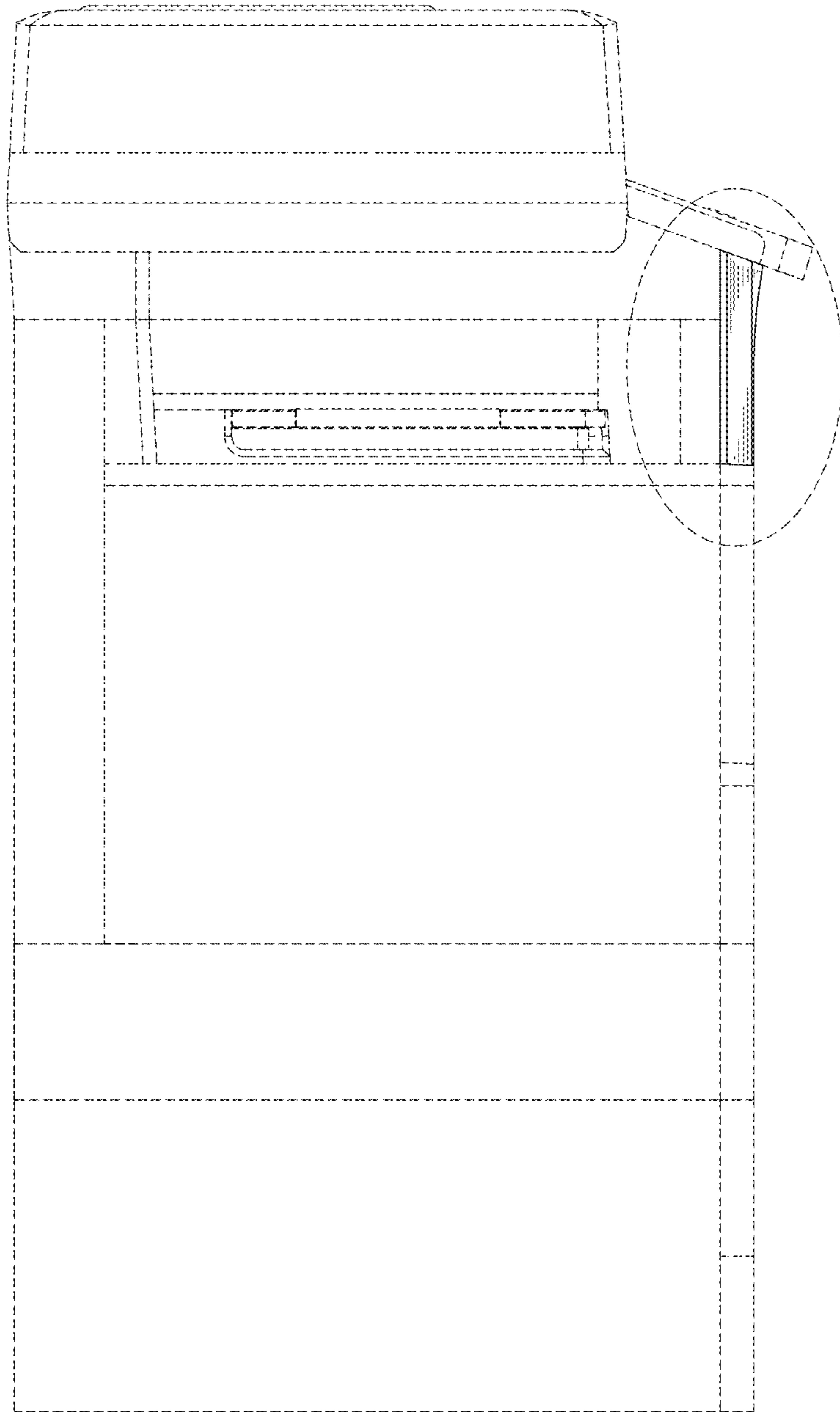


FIG. 5

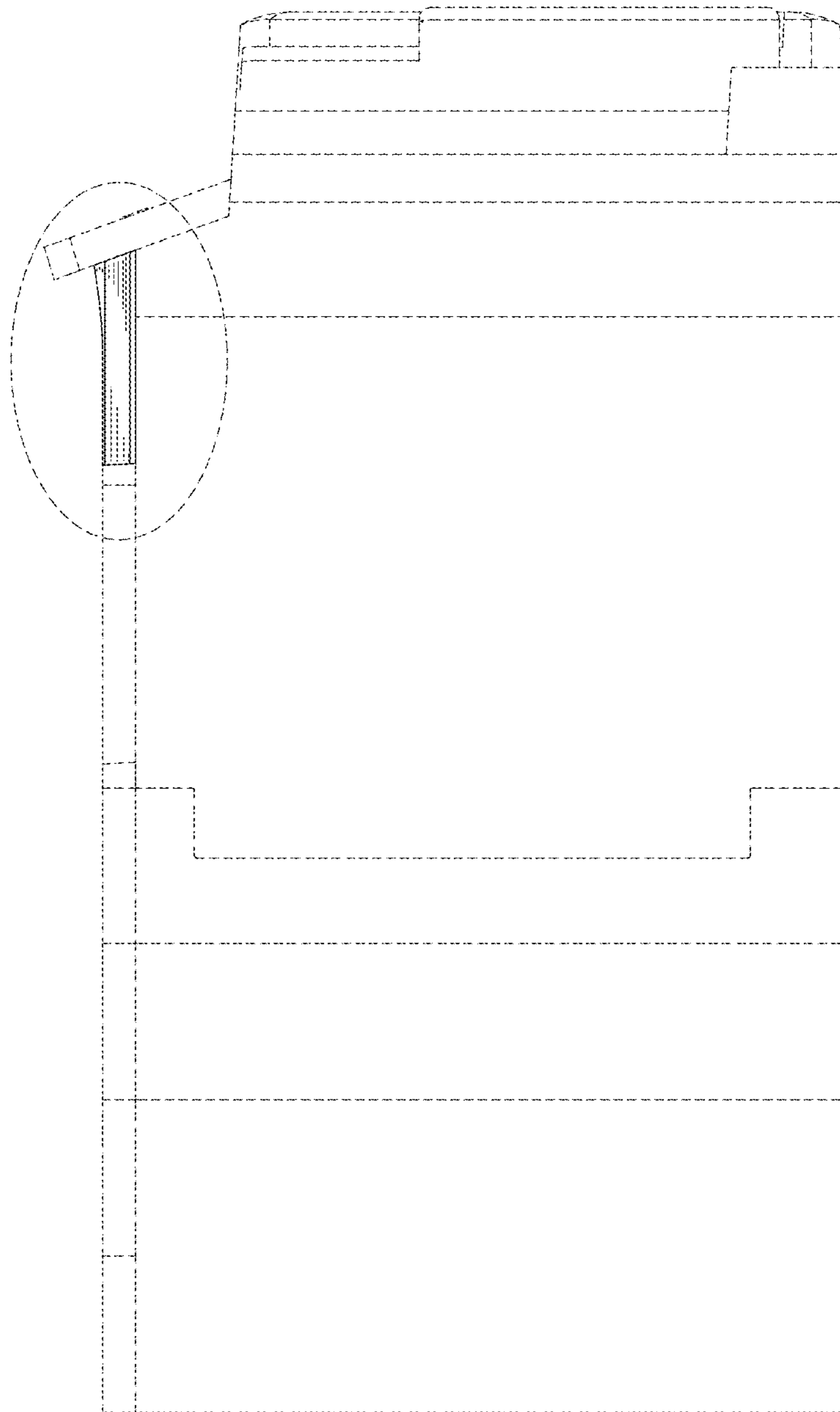


FIG. 6



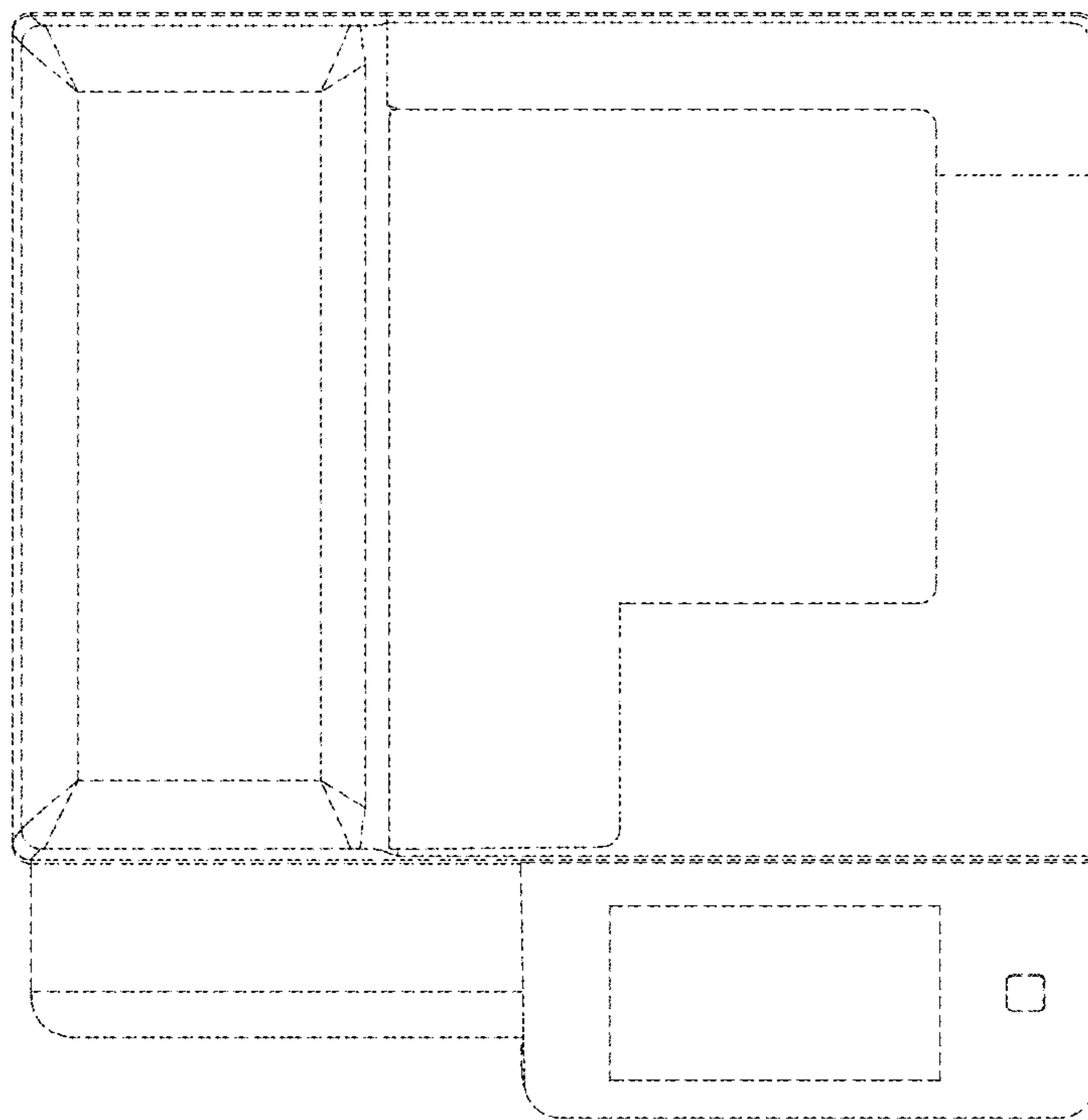


FIG. 7

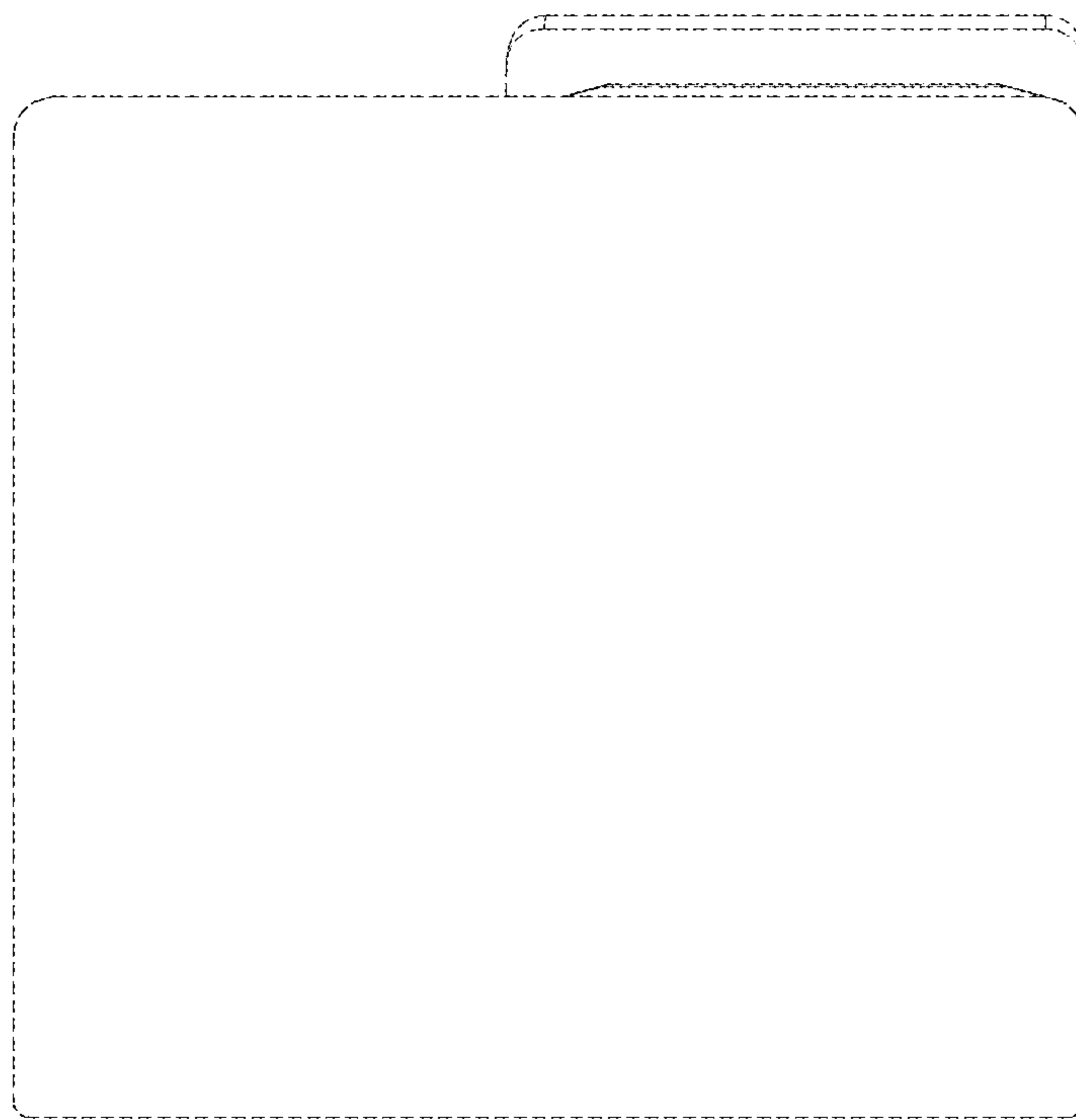


FIG. 8

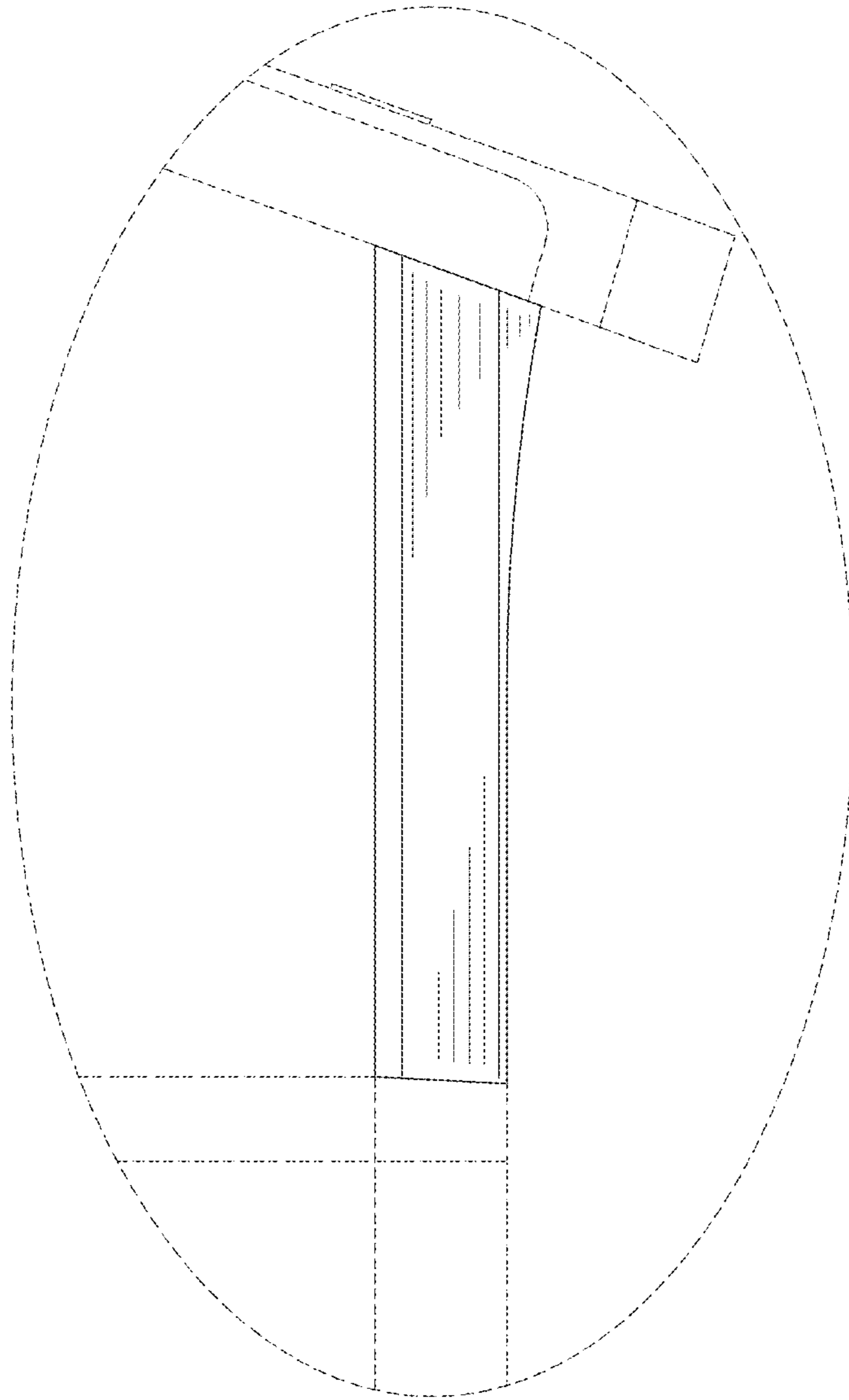


FIG. 9

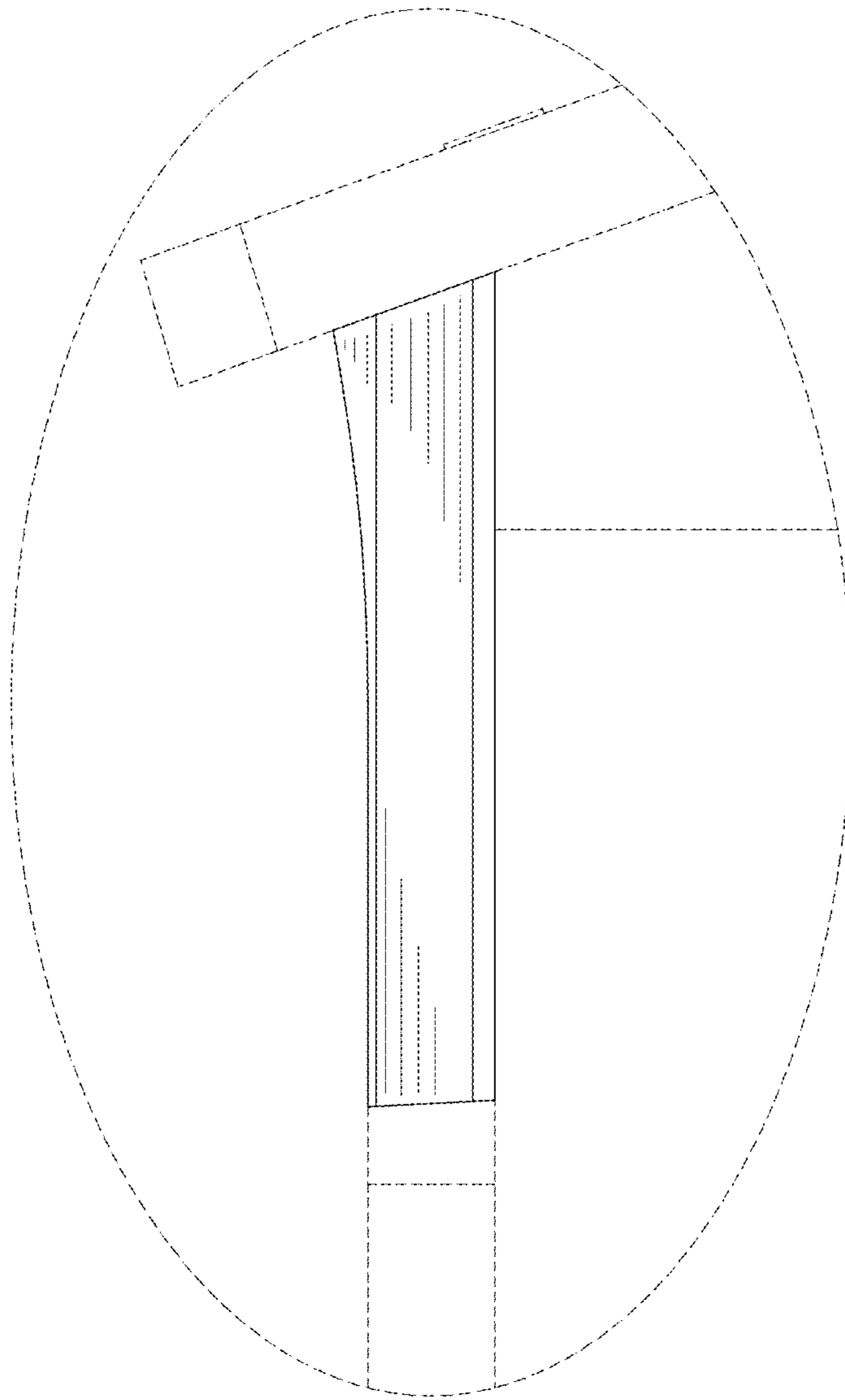


FIG. 10