



US00D790621S

(12) **United States Design Patent**  
**Ishijima et al.**

(10) **Patent No.:** **US D790,621 S**  
(45) **Date of Patent:** **\*\* Jun. 27, 2017**

(54) **LAMP FOR PROJECTOR**

(71) Applicant: **Hitachi Maxell, Ltd.**, Ibaraki-shi,  
Osaka (JP)

(72) Inventors: **Eiki Ishijima**, Ibaraki (JP); **Hiroshi Oshima**, Ibaraki (JP); **Shinro Inui**, Ibaraki (JP)

(73) Assignee: **Hitachi Maxell, Ltd.**, Ibaraki-shi (JP)

(\*\*) Term: **15 Years**

(21) Appl. No.: **29/555,817**

(22) Filed: **Feb. 25, 2016**

(30) **Foreign Application Priority Data**

Oct. 13, 2015 (JP) ..... 2015-022499

(51) **LOC (10) Cl.** ..... **16-02**

(52) **U.S. Cl.**  
USPC ..... **D16/235**

(58) **Field of Classification Search**  
USPC ..... D16/221, 225, 235; D26/1, 24  
CPC .... G03B 21/16; G03B 21/20; G03B 21/2006;  
G03B 21/2026; G03B 21/2093; F21V  
29/02; F21V 29/20; H01J 7/24; H01J  
61/52; H01J 61/523  
See application file for complete search history.

(56) **References Cited**

**U.S. PATENT DOCUMENTS**

D582,466 S \* 12/2008 Nakano ..... D16/235  
D583,849 S \* 12/2008 Uchida ..... D16/235

D584,328 S \* 1/2009 Sasaki ..... D16/235  
D616,482 S \* 5/2010 Nishi ..... D16/235  
8,408,714 B2 \* 4/2013 Onodera ..... G03B 21/16  
353/57  
D728,000 S \* 4/2015 Inui ..... D16/235  
9,052,581 B2 \* 6/2015 Saito ..... G03B 21/16

**FOREIGN PATENT DOCUMENTS**

JP D1313831 \* 9/2007  
JP 1374427 S 11/2009  
JP 1404854 S 1/2011

\* cited by examiner

*Primary Examiner* — Wan Laymon

(74) *Attorney, Agent, or Firm* — Crowell & Moring LLP

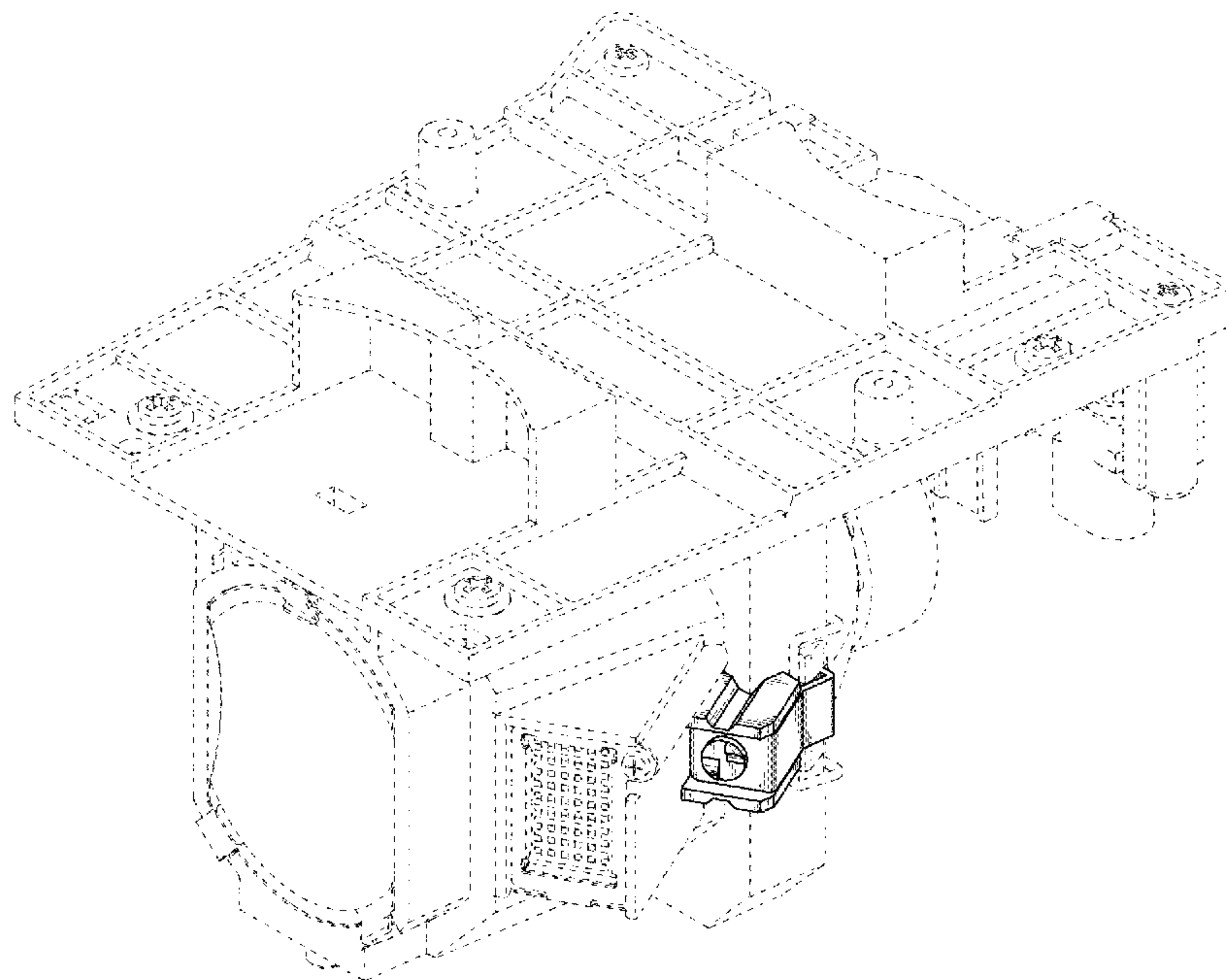
(57) **CLAIM**

The ornamental design for a lamp for projector, as shown and described.

**DESCRIPTION**

FIG. 1 is a front, top and right side perspective view of a lamp for projector according to the design;  
FIG. 2 is a front view thereof;  
FIG. 3 is a rear view thereof;  
FIG. 4 is a right side view thereof;  
FIG. 5 is a left side view thereof;  
FIG. 6 is a top view thereof; and,  
FIG. 7 is a bottom view thereof.  
The broken lines shown in the figures represent portions of the lamp for projector that form no part of the claimed design.

**1 Claim, 7 Drawing Sheets**



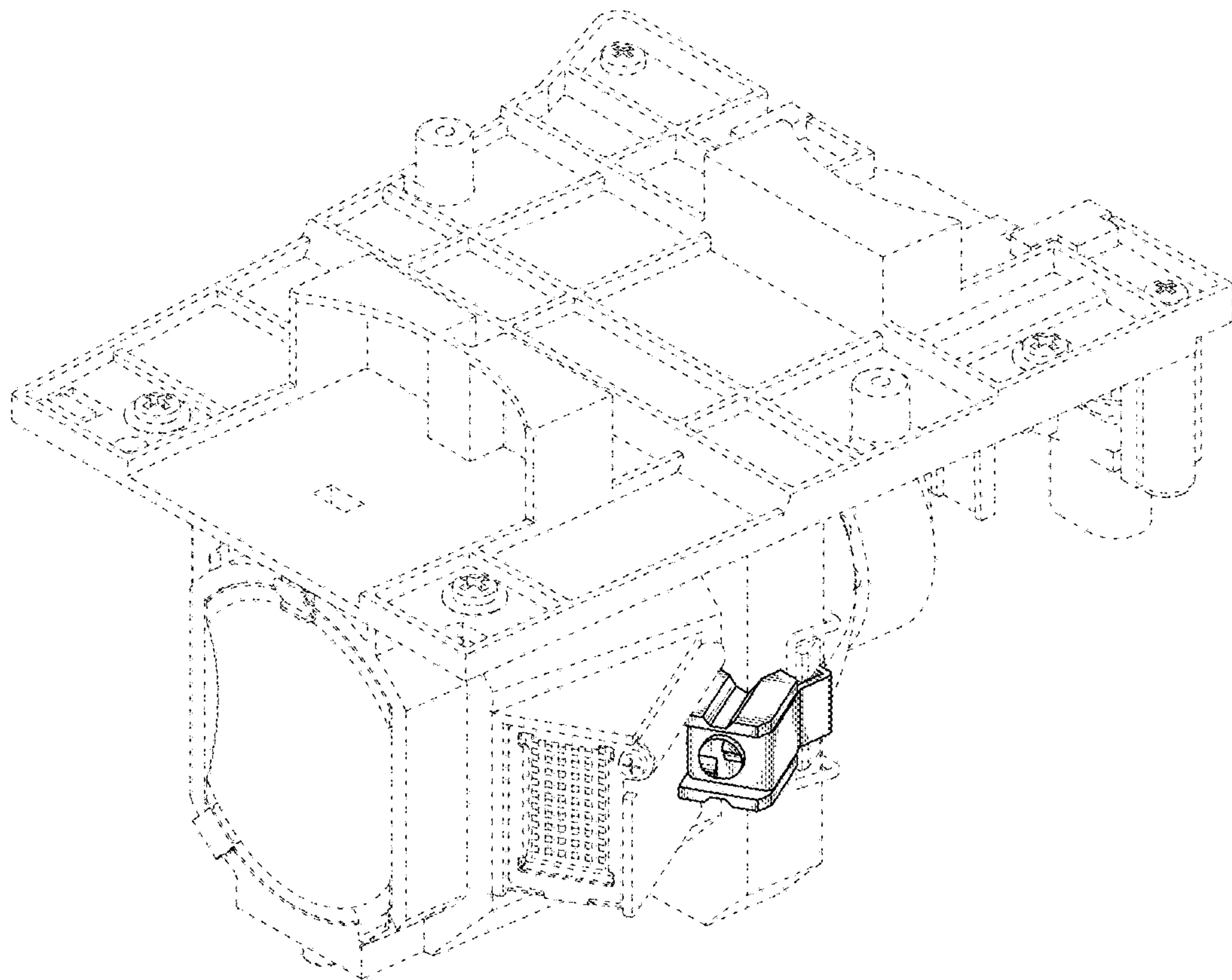
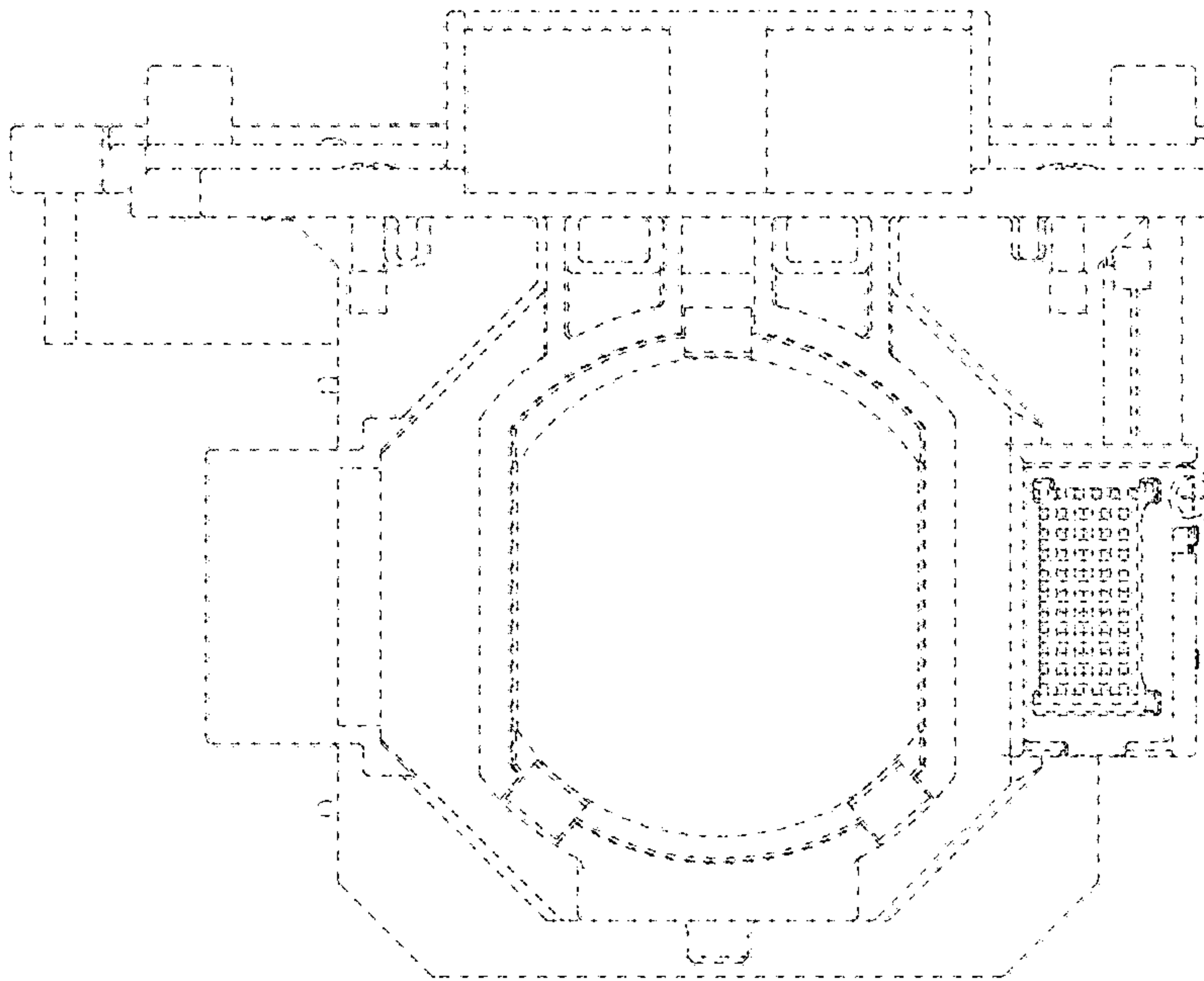


FIG. 1



*FIG. 2*

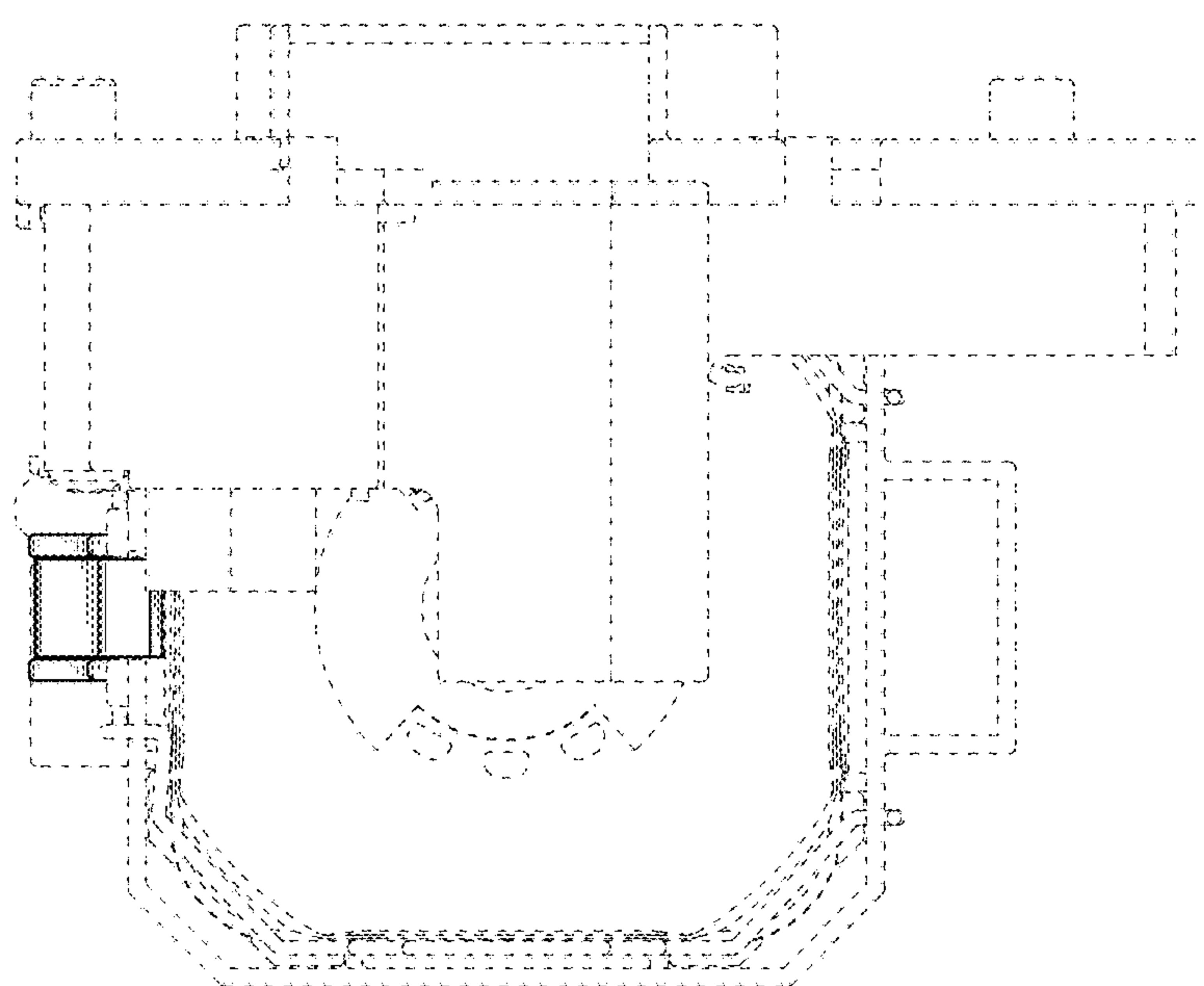


FIG. 3

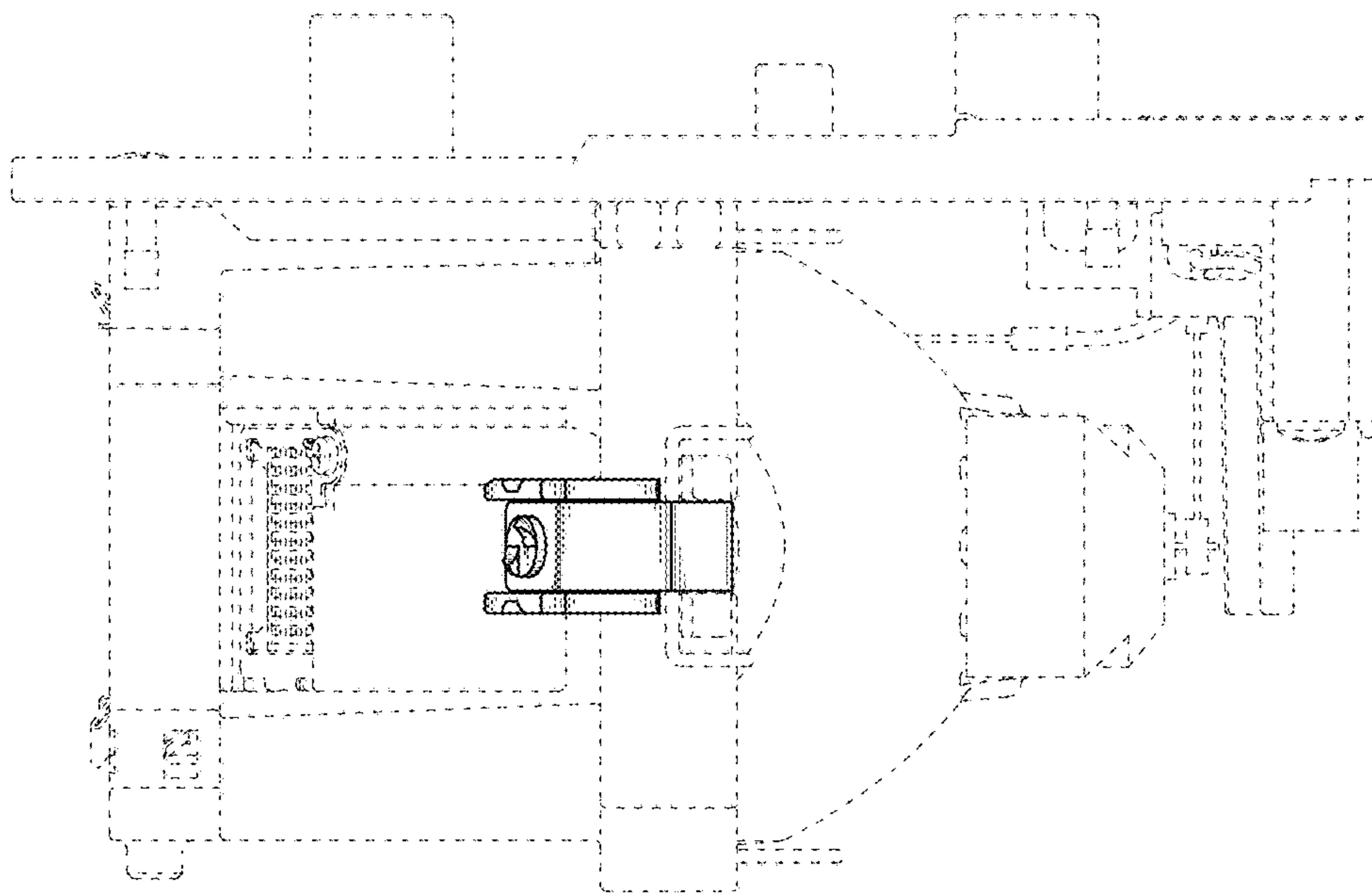


FIG. 4

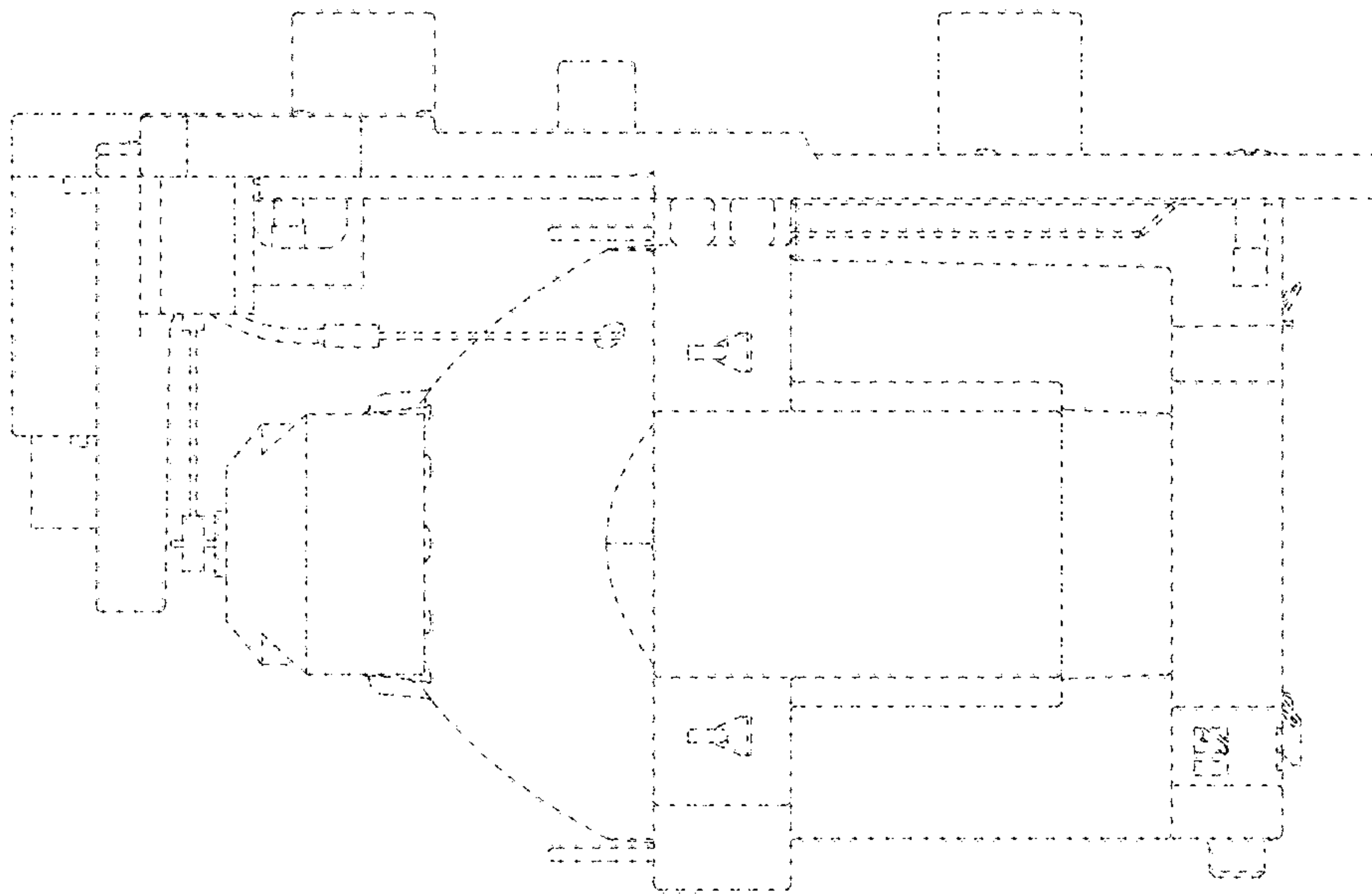


FIG. 5

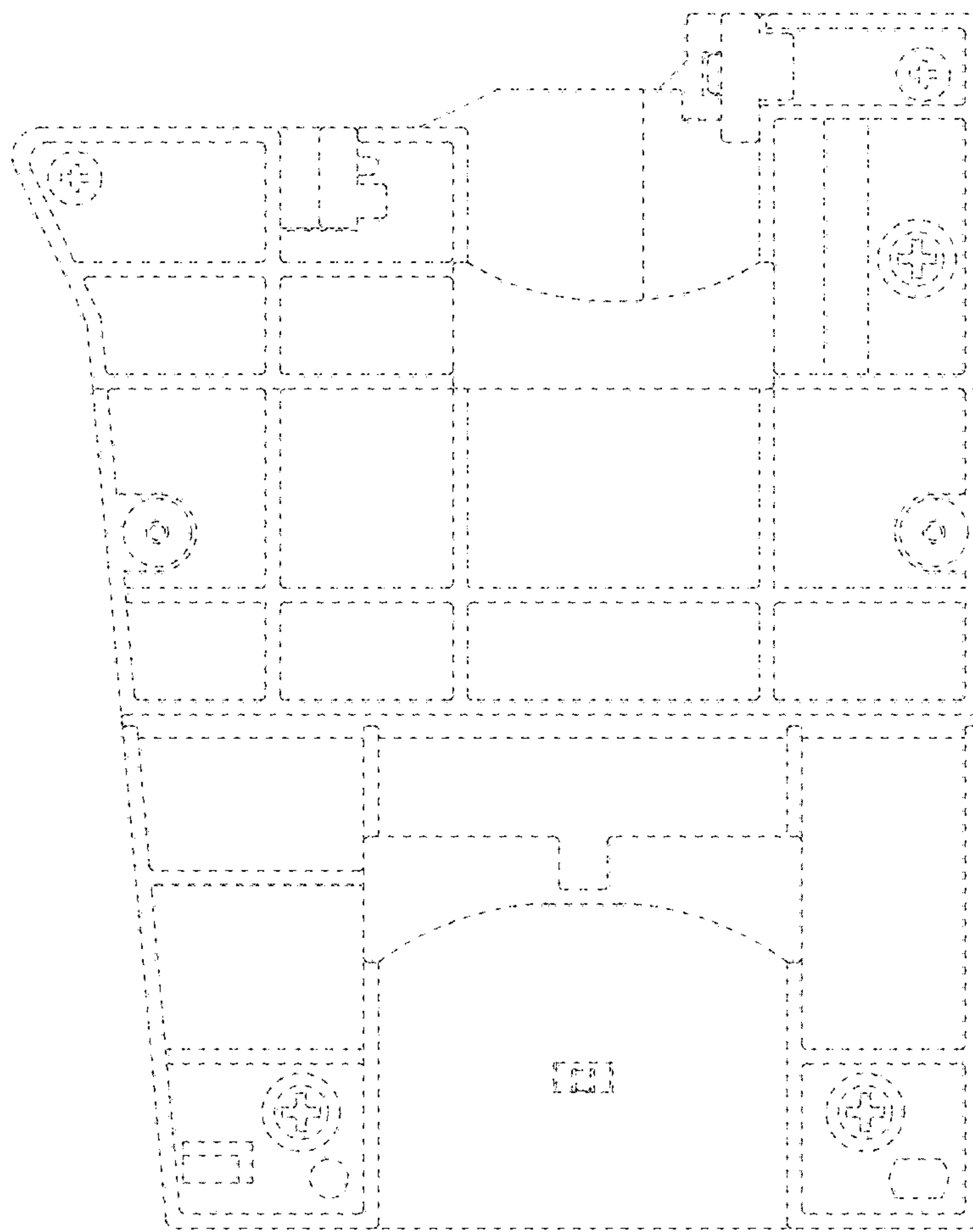


FIG. 6



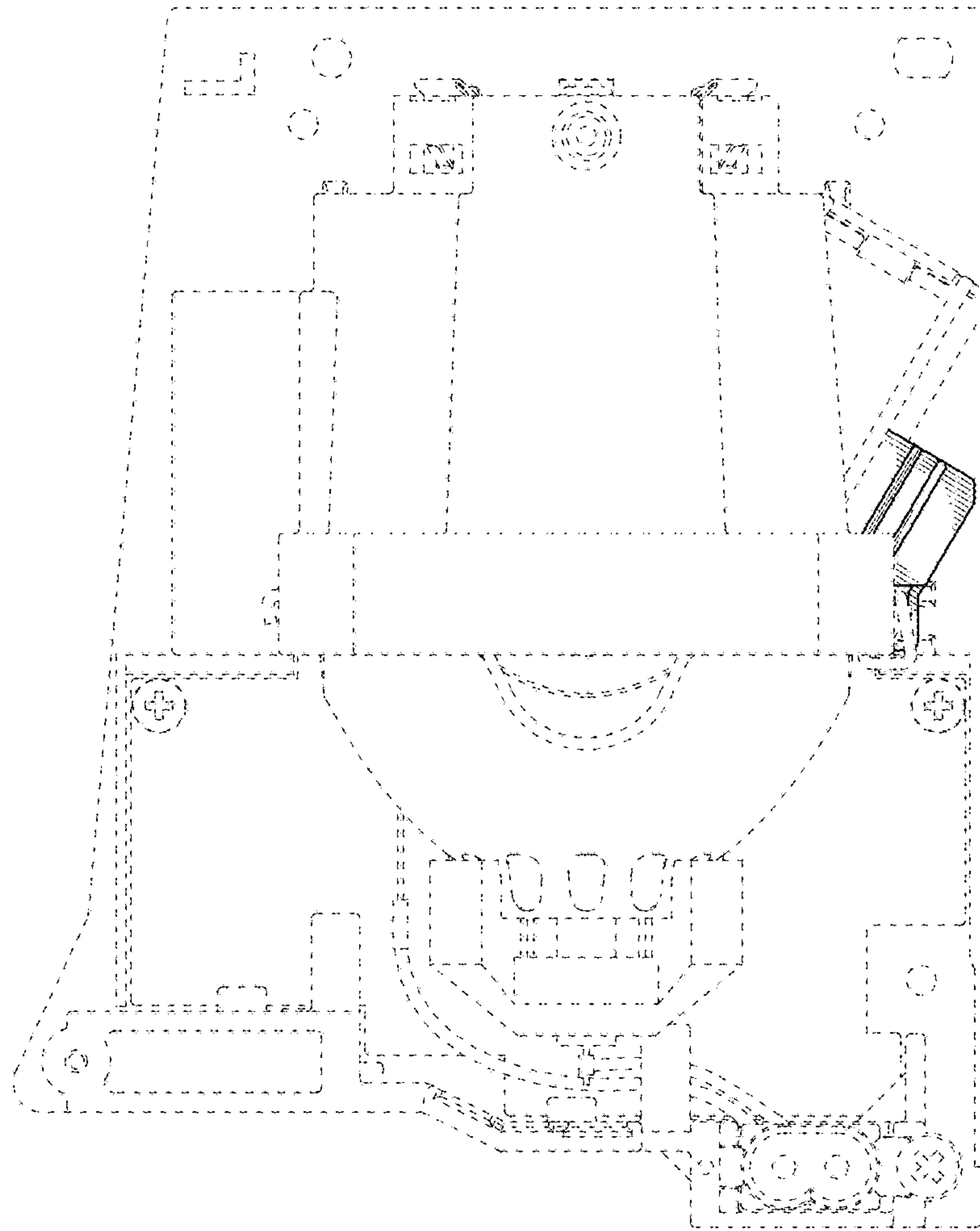


FIG. 7