



US00D790620S

(12) **United States Design Patent**  
**Lee et al.**

(10) **Patent No.:** **US D790,620 S**

(45) **Date of Patent:** **\*\* Jun. 27, 2017**

(54) **COMPACT CAMERA**

(71) Applicant: **LG ELECTRONICS INC.**, Seoul (KR)

(72) Inventors: **Hophil Lee**, Seoul (KR); **Euiseok Lee**, Seoul (KR); **Jaoboem Im**, Seoul (KR); **Seunghee Ha**, Seoul (KR)

(73) Assignee: **LG ELECTRONICS INC.**, Seoul (KR)

(\*\*) Term: **15 Years**

(21) Appl. No.: **29/539,475**

(22) Filed: **Sep. 15, 2015**

(30) **Foreign Application Priority Data**

Mar. 16, 2015 (KR) ..... 30-2015-0013191

(51) **LOC (10) Cl.** ..... **16-01**

(52) **U.S. Cl.**  
USPC ..... **D16/202**

(58) **Field of Classification Search**

USPC ..... D16/200, 202–206, 208–209, 218, 219;  
348/373–376; 396/535, 539–541  
CPC ..... G03B 15/03; G03B 17/02; G03B 17/04;  
G03B 17/56; G03B 19/04; H04N 5/2251;  
H04N 5/2252; H04N 5/2253; H04N  
5/2254; H04N 2101/00

See application file for complete search history.

(56) **References Cited**

**U.S. PATENT DOCUMENTS**

6,503,000 B1 \* 1/2003 Kim ..... G03B 5/06  
348/143  
D516,105 S \* 2/2006 Bradley ..... D16/202

D550,738 S \* 9/2007 Hsia ..... D16/202  
D554,682 S \* 11/2007 Martinez ..... D16/203  
D609,732 S \* 2/2010 Frank ..... D16/203  
D705,844 S \* 5/2014 Bart ..... D16/203  
D719,202 S \* 12/2014 Lee ..... D16/202  
D730,966 S \* 6/2015 Liu ..... D16/202  
D731,579 S \* 6/2015 Bart ..... D16/203  
D741,931 S \* 10/2015 Huang ..... D16/202  
2005/0247845 A1 \* 11/2005 Li ..... F16M 11/12  
248/346.5

\* cited by examiner

*Primary Examiner* — Philip S Hyder

*Assistant Examiner* — Ramzi Almatrahi

(74) *Attorney, Agent, or Firm* — Ked & Associates LLP

(57) **CLAIM**

The ornamental design for a compact camera, as shown and described.

**DESCRIPTION**

FIG. 1 is a top, front, and right side, perspective view of a compact camera showing our new design;  
FIG. 2 is a front view thereof;  
FIG. 3 is a rear view thereof;  
FIG. 4 is a left side view thereof;  
FIG. 5 is a right side view thereof;  
FIG. 6 is a top view thereof;  
FIG. 7 is a bottom view thereof; and,  
FIG. 8 is a top, front, and right side, perspective view thereof, shown in an alternate position and in condition of use.

The broken lines depict portions of a compact camera in which the design is embodied that form no part of the claimed design.

**1 Claim, 4 Drawing Sheets**

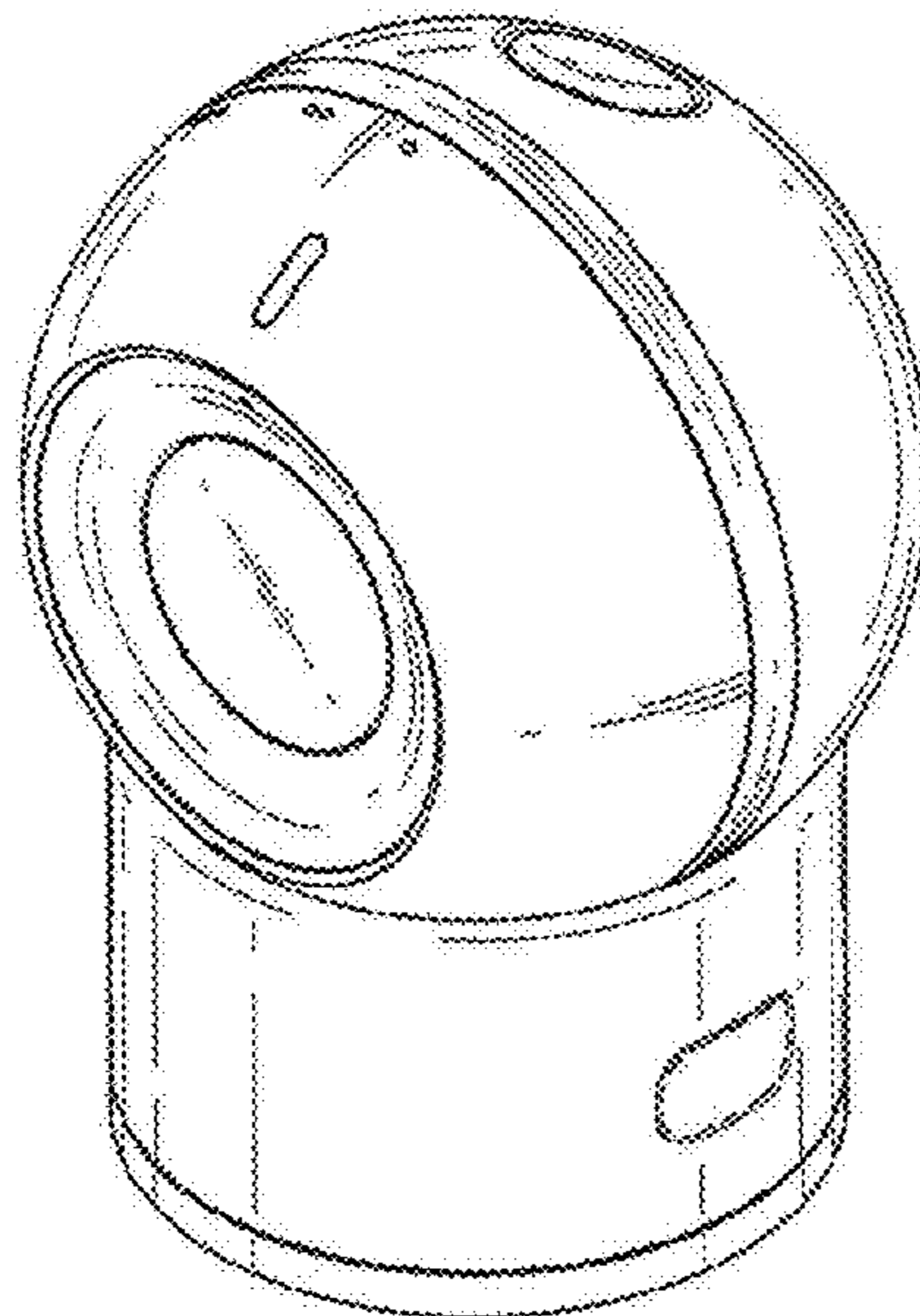


FIG. 1

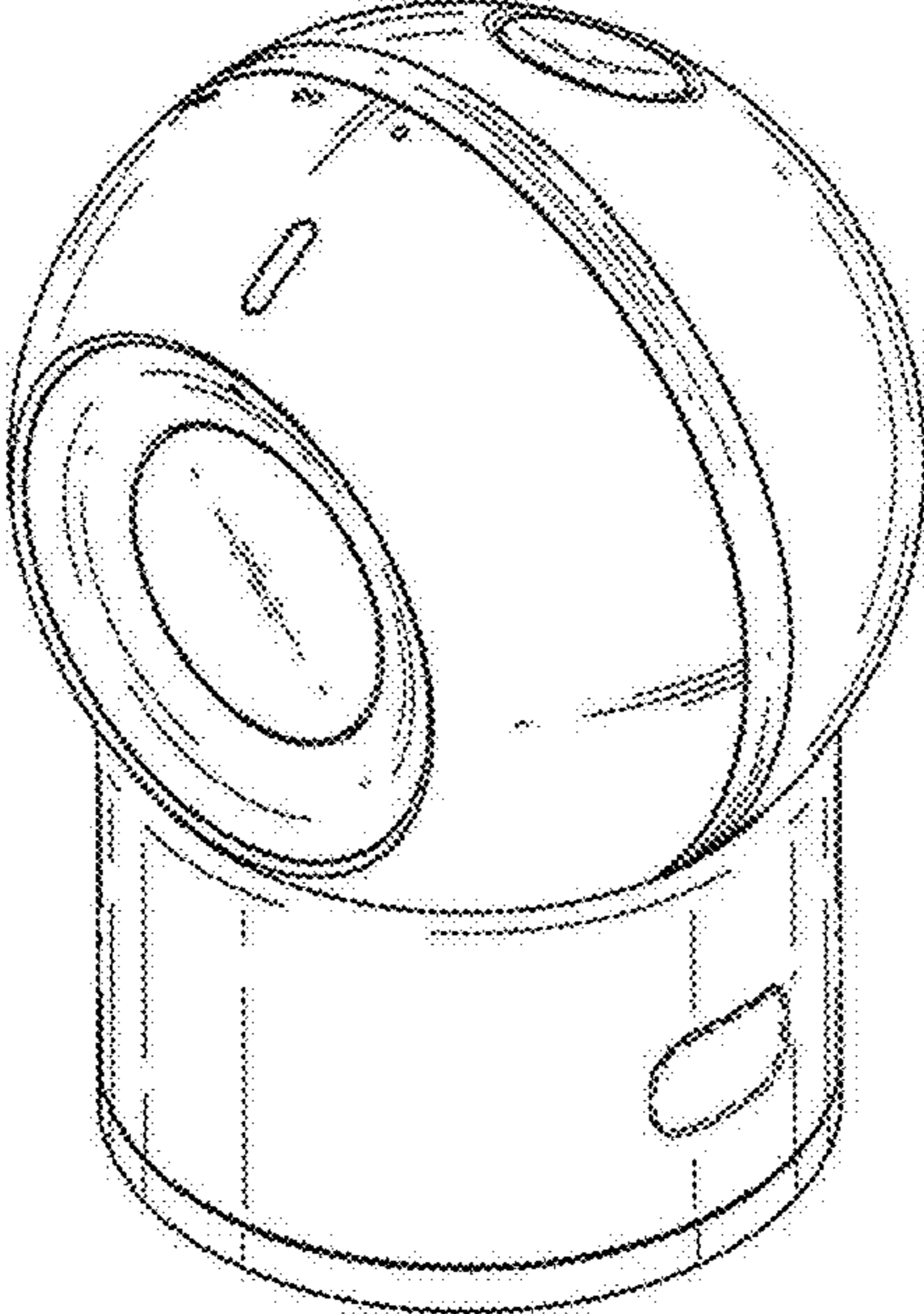


FIG. 2

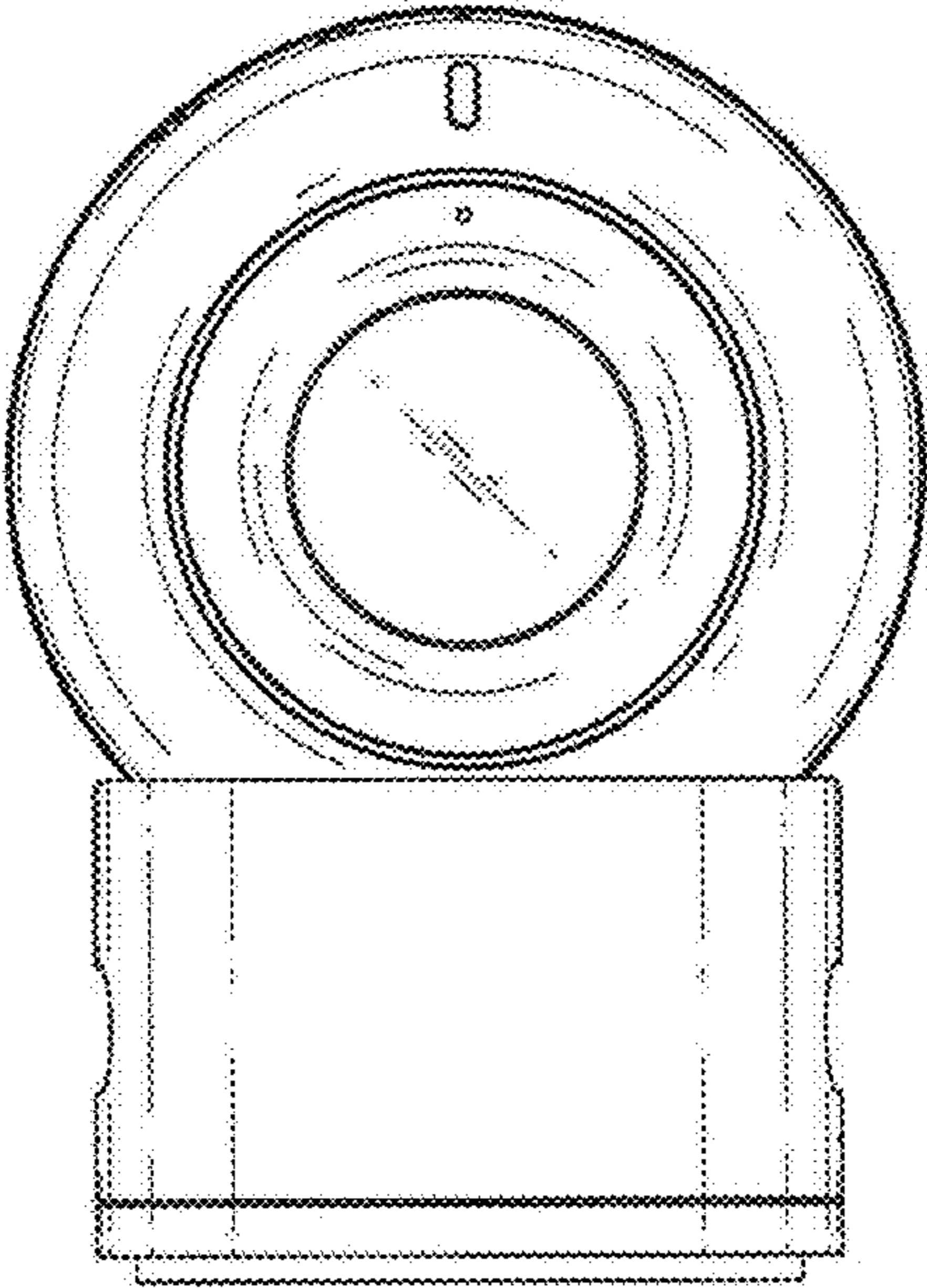


FIG. 3

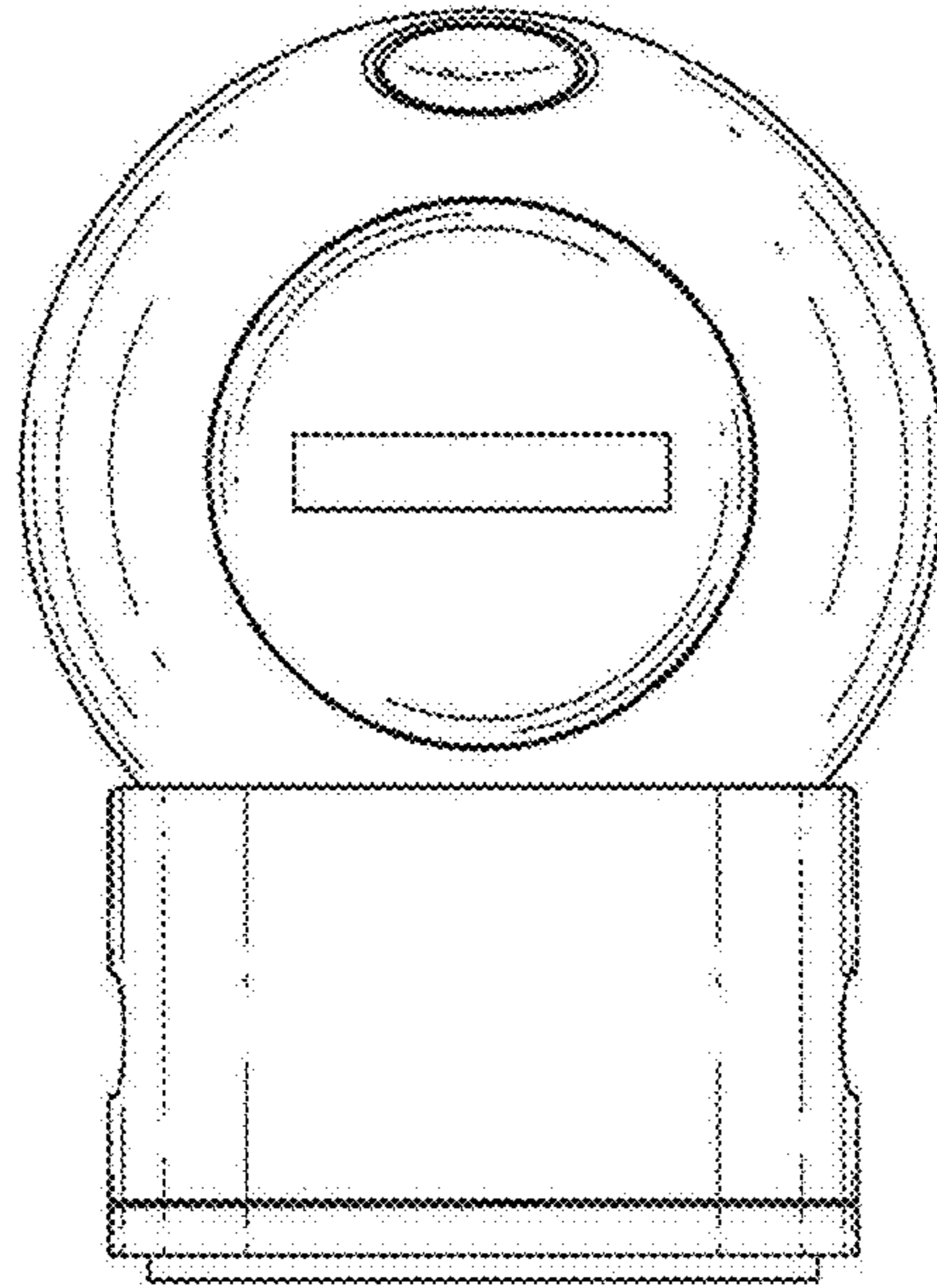


FIG. 4

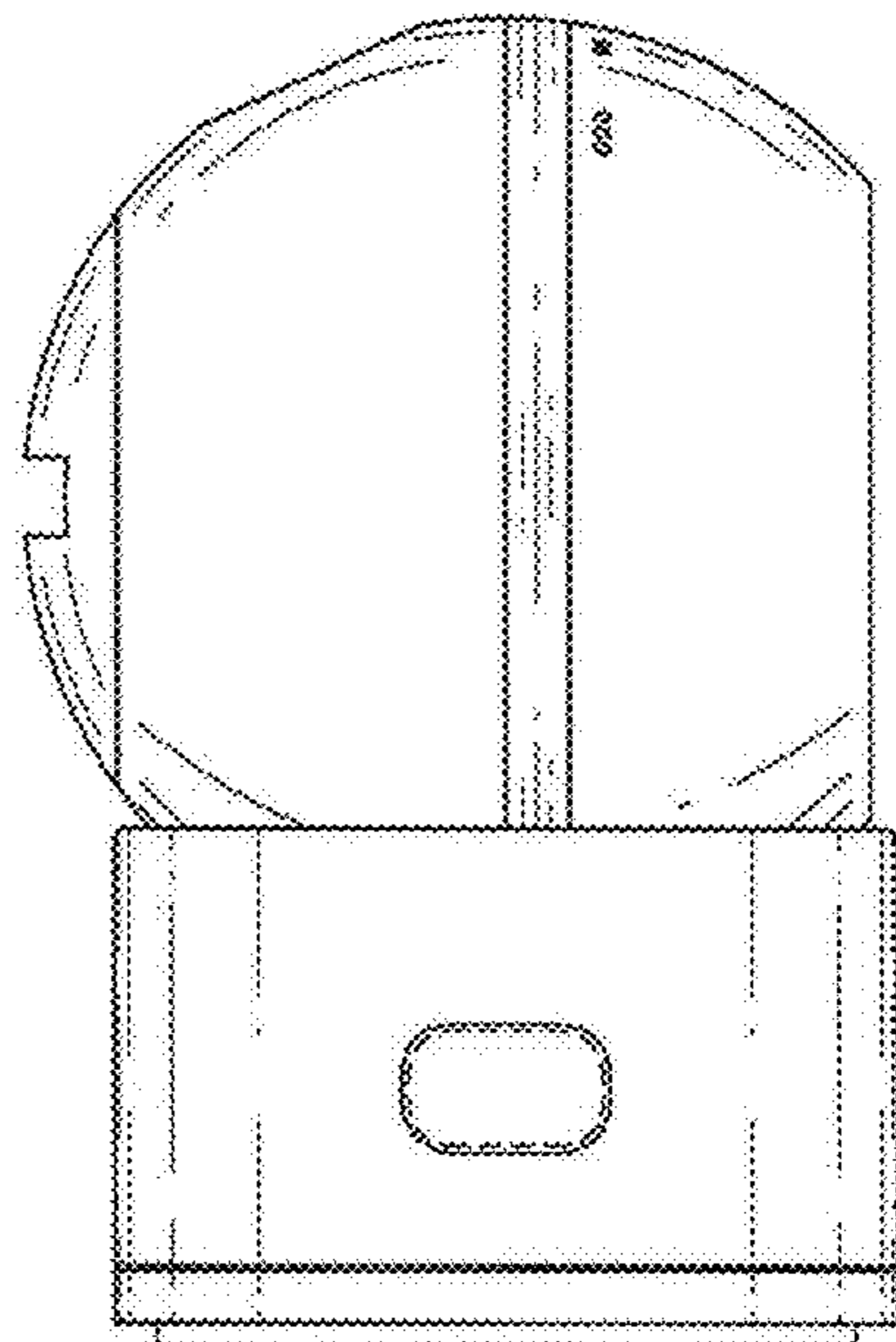


FIG. 5

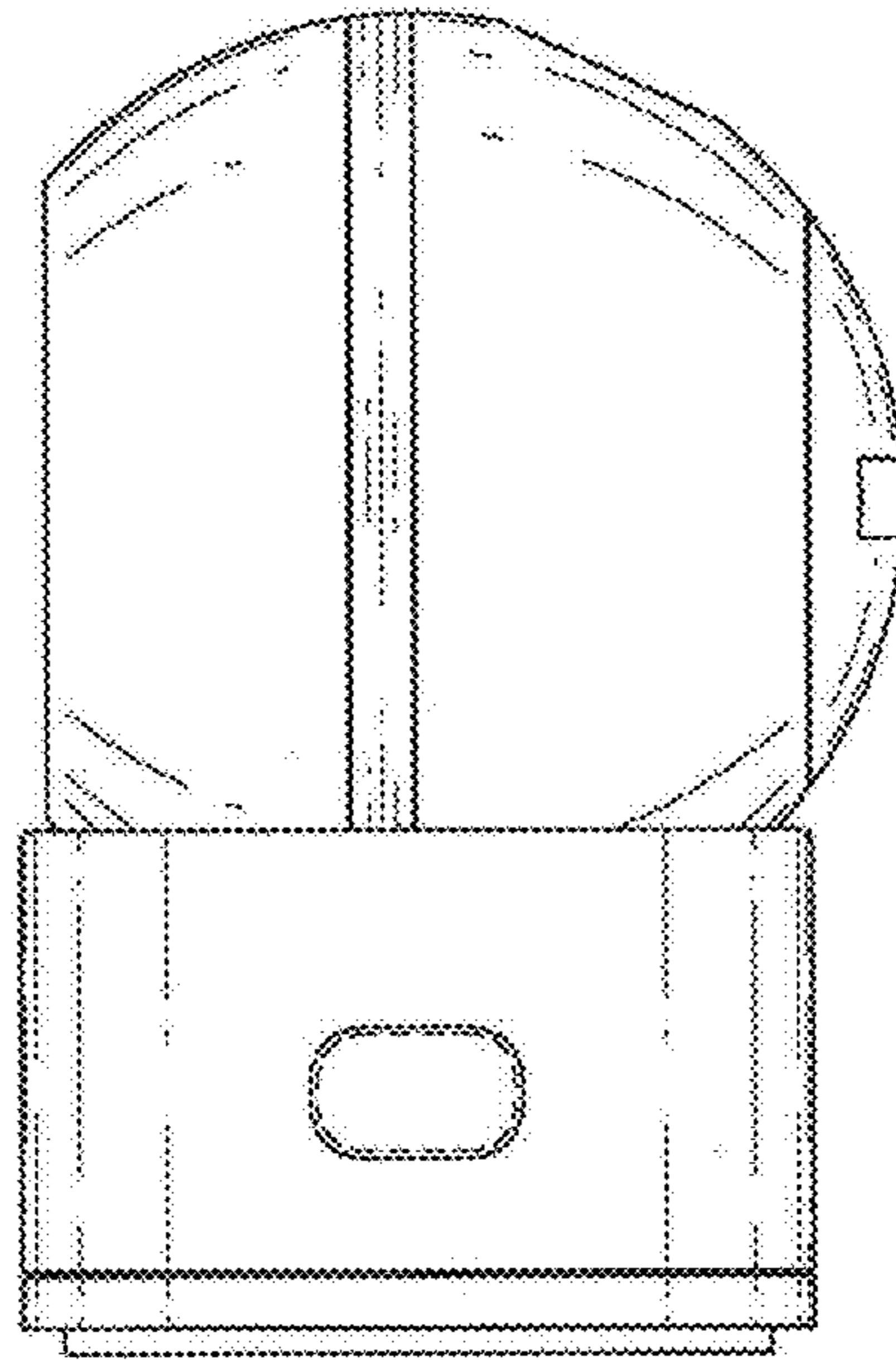


FIG. 6

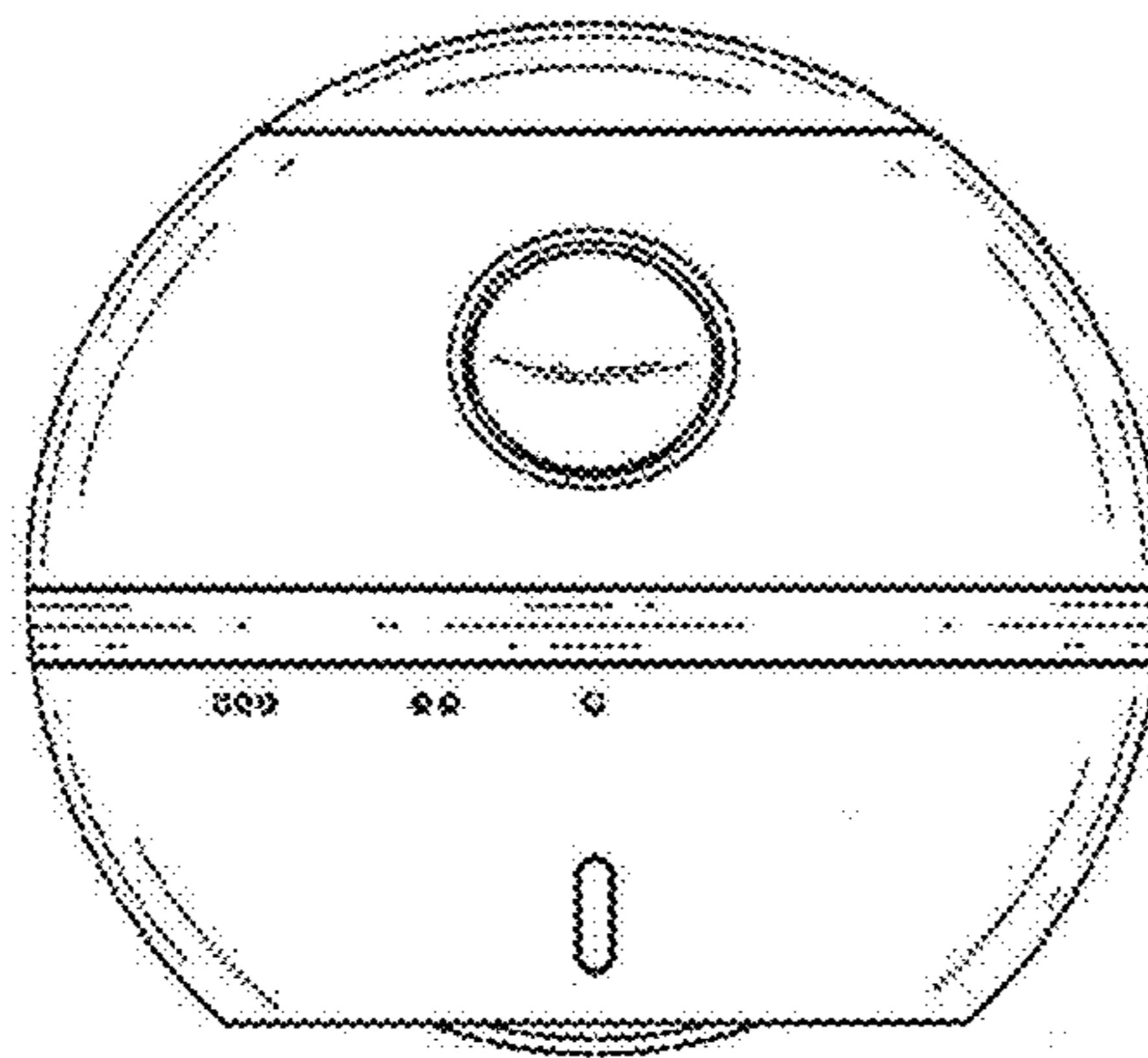




FIG. 7

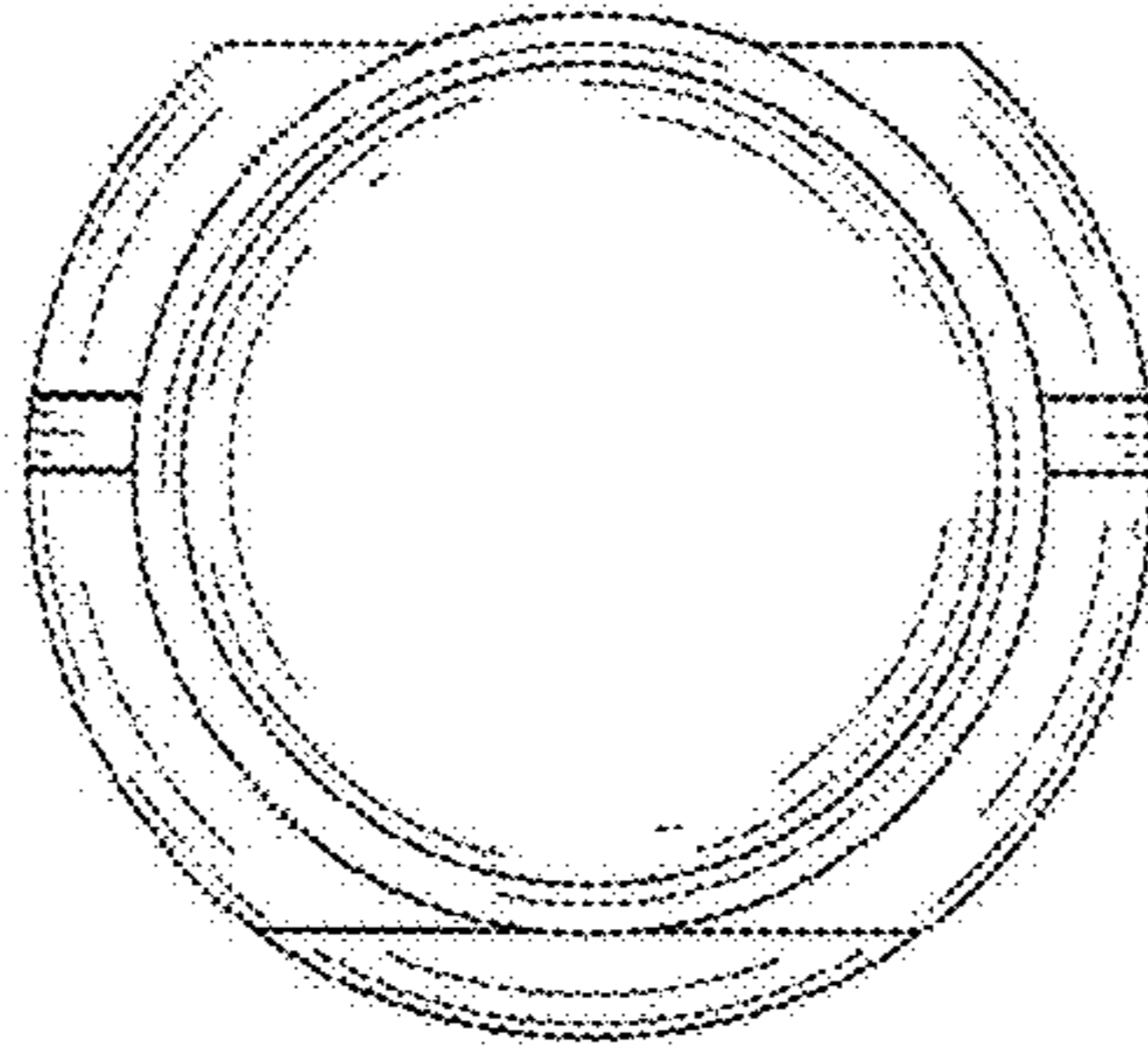


FIG. 8

