



US00D790619S

(12) **United States Design Patent**
Huang

(10) **Patent No.:** **US D790,619 S**

(45) **Date of Patent:** **** Jun. 27, 2017**

(54) **MAGNIFIER WITH LIGHTING
ARRANGEMENT**

(71) Applicant: **Kuan Da Huang**, Alhambra, CA (US)

(72) Inventor: **Kuan Da Huang**, Alhambra, CA (US)

(**) Term: **15 Years**

(21) Appl. No.: **29/562,991**

(22) Filed: **Apr. 30, 2016**

(51) **LOC (10) Cl.** **16-06**

(52) **U.S. Cl.**
USPC **D16/135**

(58) **Field of Classification Search**
USPC D26/24, 28, 44, 51, 56, 61, 63, 93, 106,
D26/107; D16/134, 135, 136
CPC G02B 25/02; G02B 25/002; G02B 25/04
See application file for complete search history.

(56) **References Cited**

U.S. PATENT DOCUMENTS

D132,980 S *	7/1942	Brabham	D16/135
D154,911 S *	8/1949	Dougherty	359/819
4,040,724 A *	8/1977	Klingler	G02B 25/002
				359/804
D260,401 S *	8/1981	Leopoldi	D16/135
5,777,805 A *	7/1998	Gilman	G02B 25/002
				359/803
D492,713 S *	7/2004	Yip	D16/135
D494,610 S *	8/2004	Allen	D16/135
D580,466 S *	11/2008	Pola	D16/135

D603,438 S *	11/2009	Takishima	D16/130
D607,600 S *	1/2010	Keith	D26/104
D720,090 S *	12/2014	Toomey	D26/24
D758,466 S *	6/2016	Liu	D16/135
D759,605 S *	6/2016	Kimble	D13/183
2006/0176582 A1 *	8/2006	Amron	G02B 25/002
				359/802
2016/0157645 A1 *	6/2016	Bayless	A47G 19/2227
				220/600

* cited by examiner

Primary Examiner — Sheryl Lane

Assistant Examiner — Calvin E Vansant

(74) *Attorney, Agent, or Firm* — Tsz Lung Yeung

(57) **CLAIM**

The ornamental design for a magnifier with lighting arrangement, as shown and described.

DESCRIPTION

FIG. 1 is a perspective view of a magnifier with lighting arrangement showing my new design.

FIG. 2 is a front view thereof.

FIG. 3 is a rear view thereof.

FIG. 4 is a right end view thereof.

FIG. 5 is a left end view thereof.

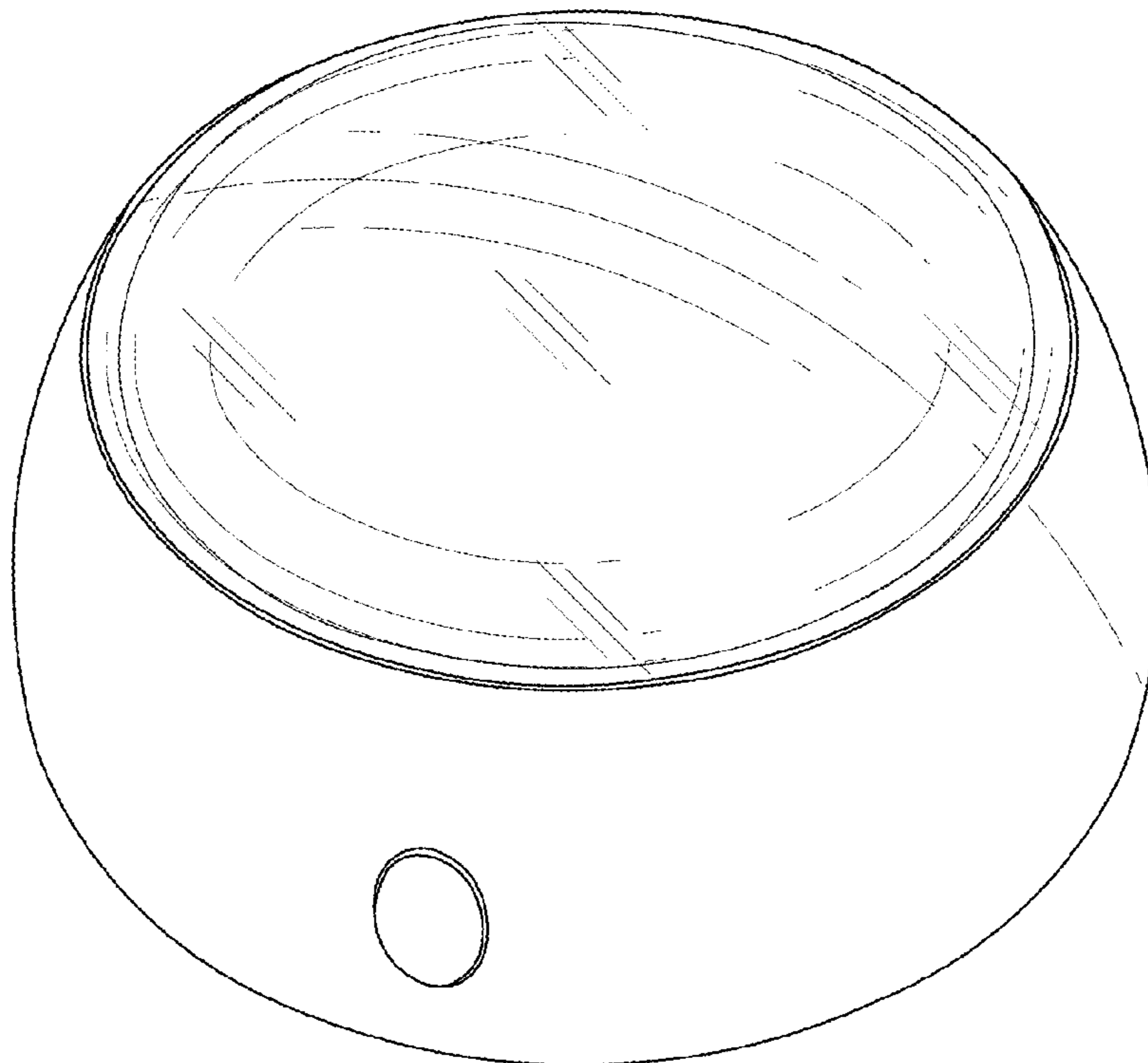
FIG. 6 is a top view thereof.

FIG. 7 is a bottom view thereof; and,

FIG. 8 is another perspective view thereof.

The broken lines in the drawings represent unclaimed environmental subject matter and form no part of the claim.

1 Claim, 8 Drawing Sheets



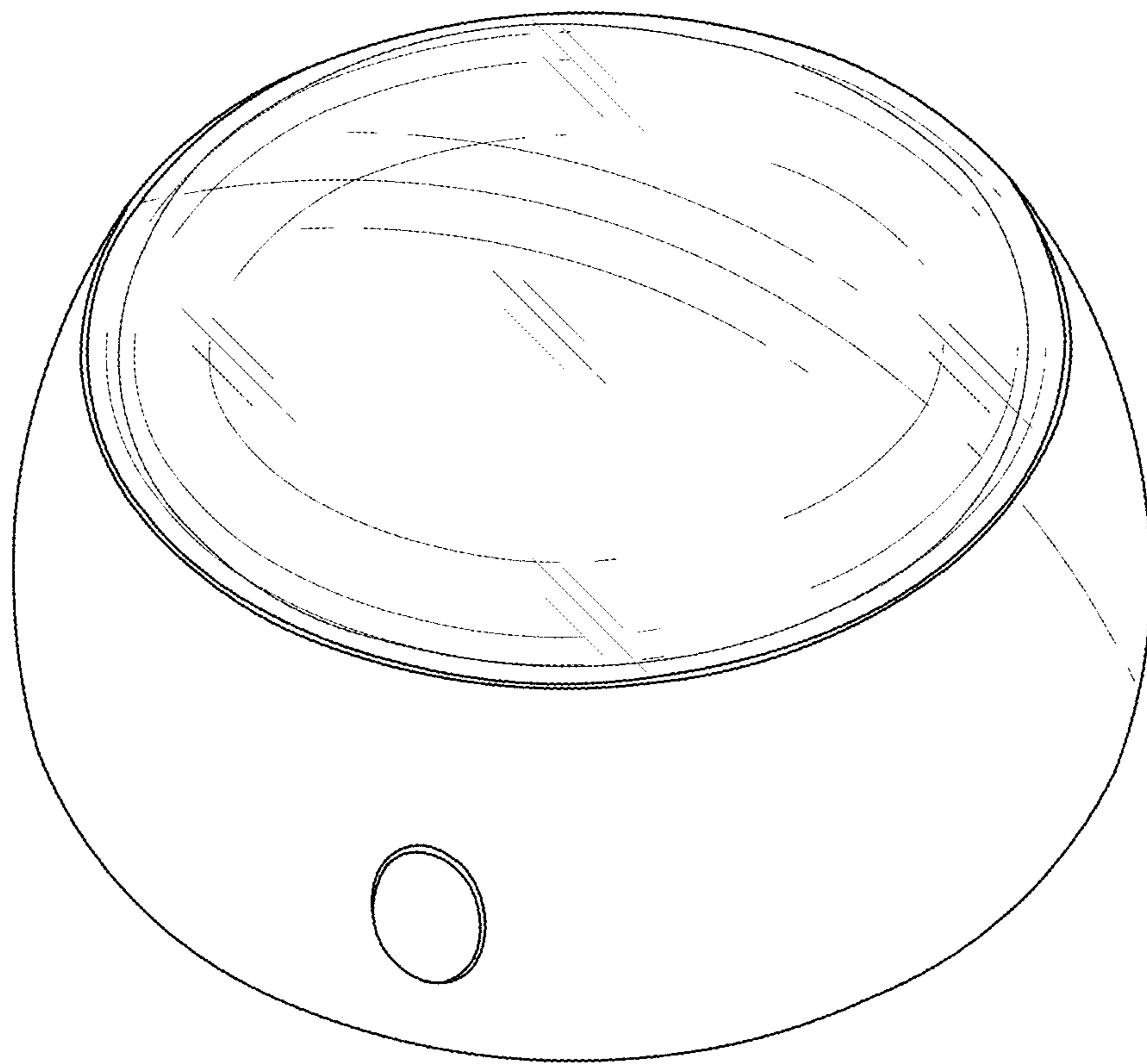


FIG.1

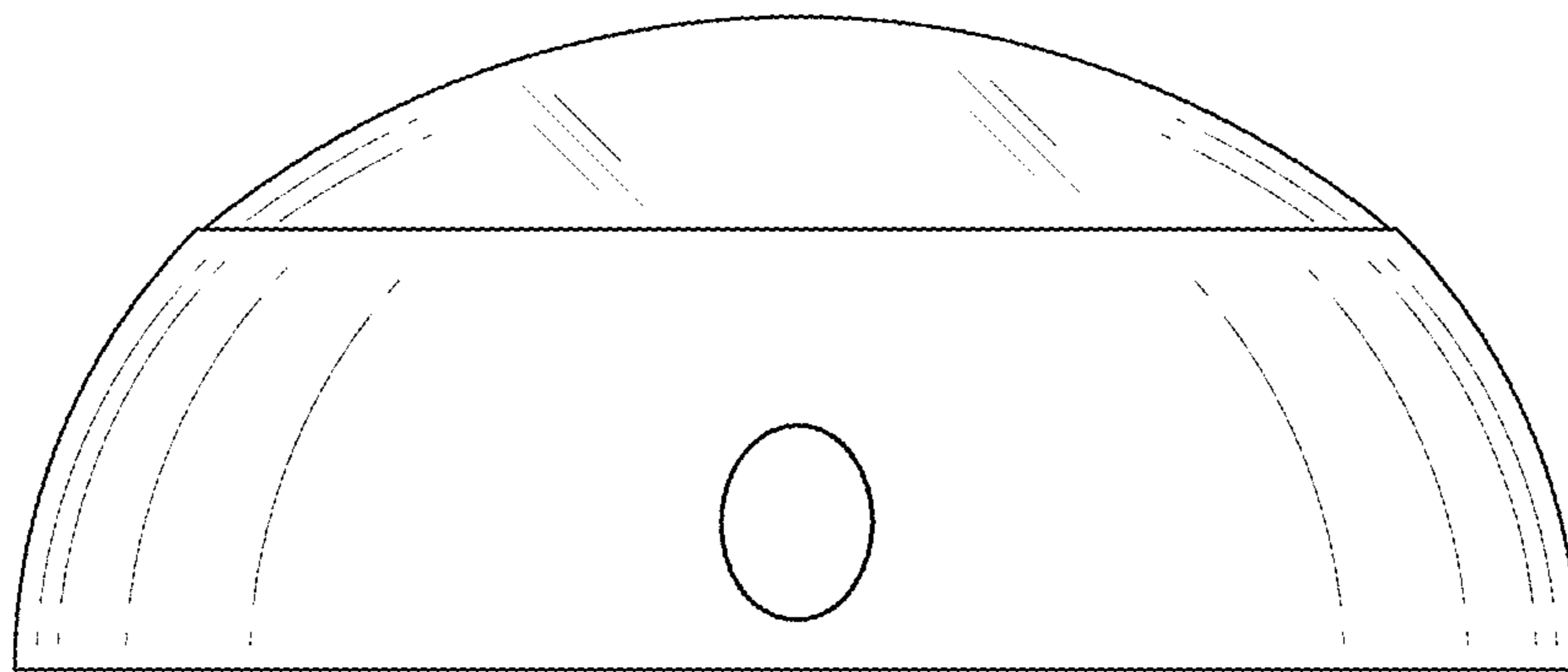


FIG.2

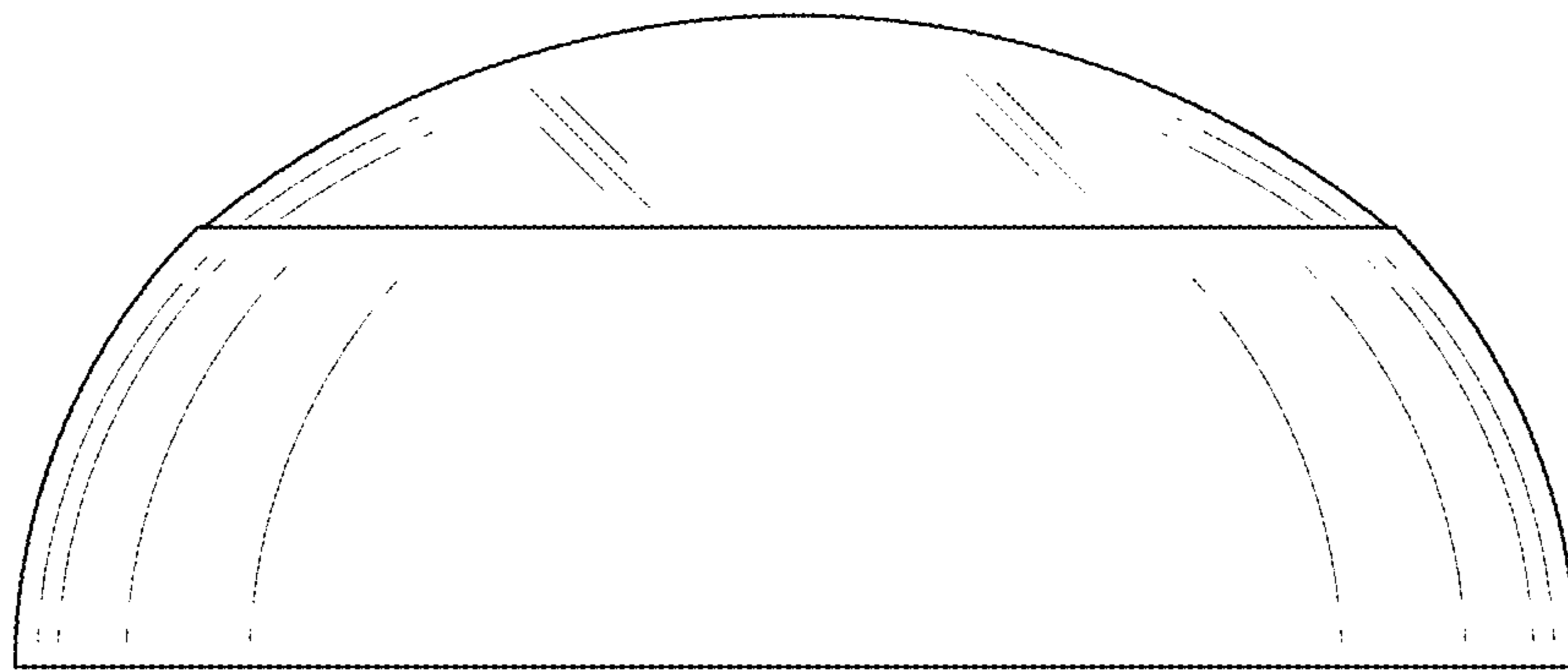


FIG.3

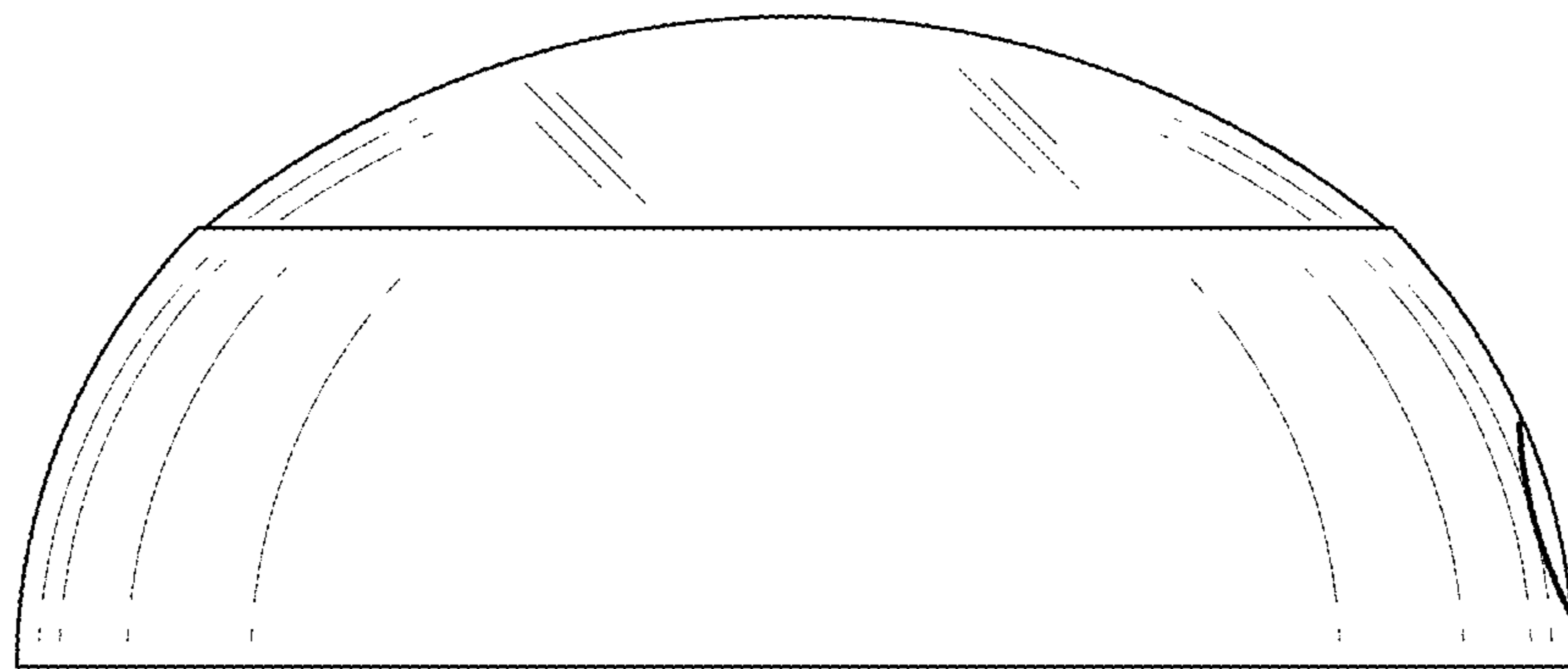


FIG.4

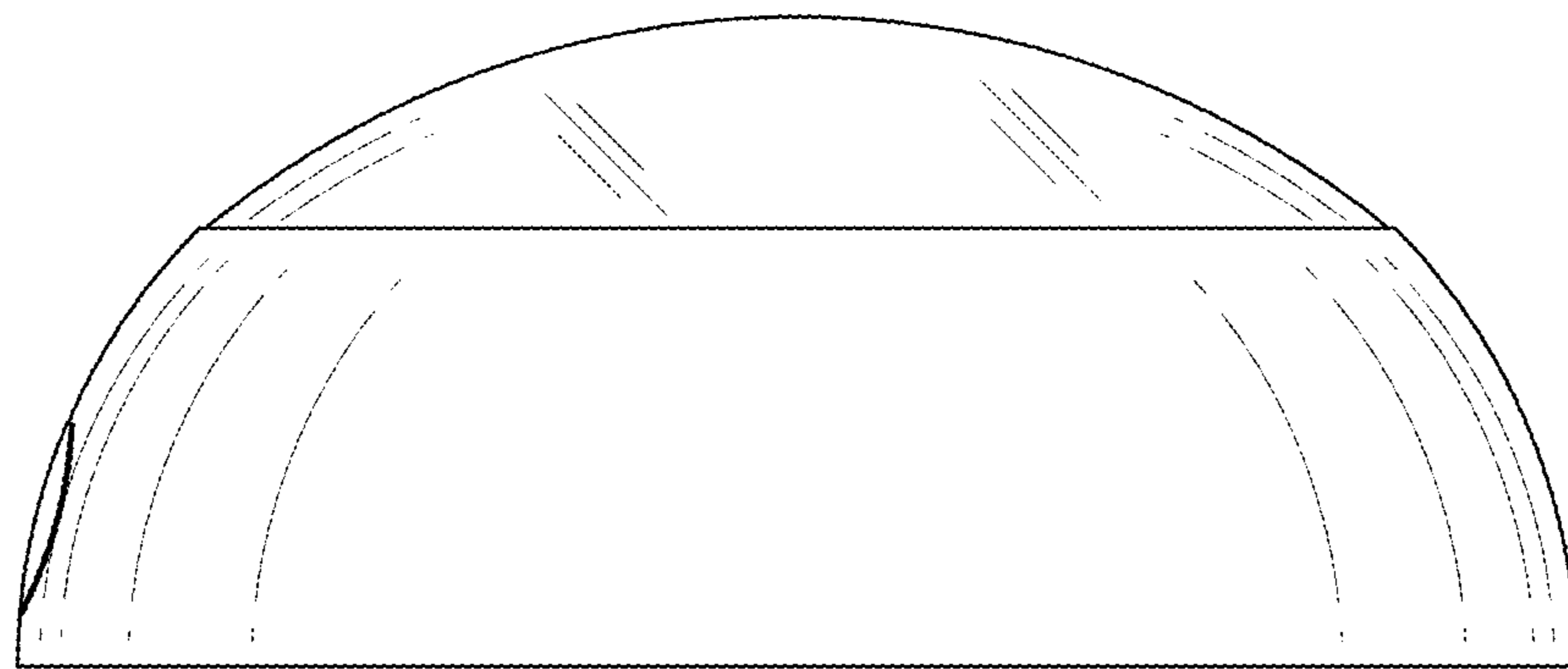


FIG.5

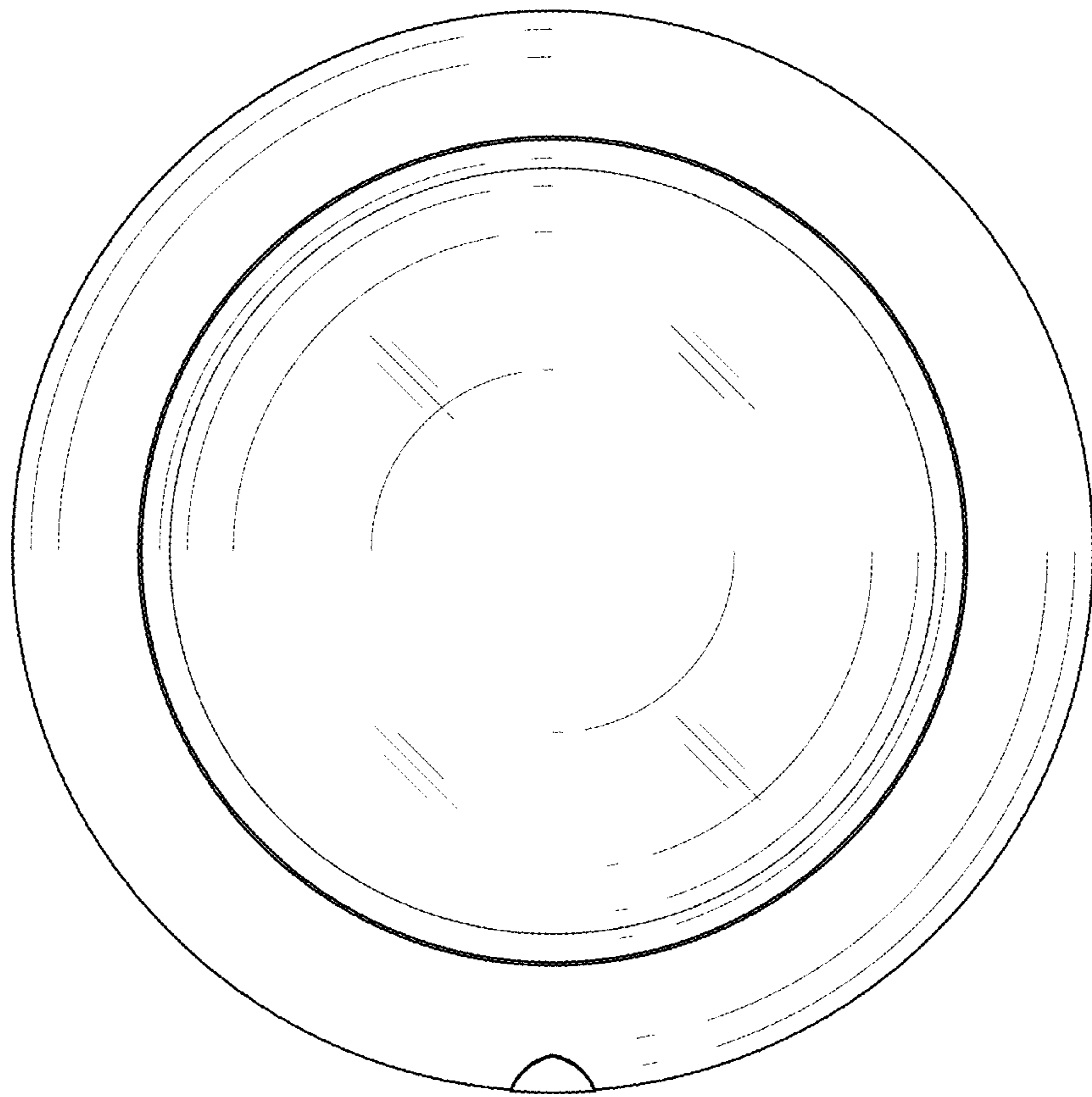


FIG. 6

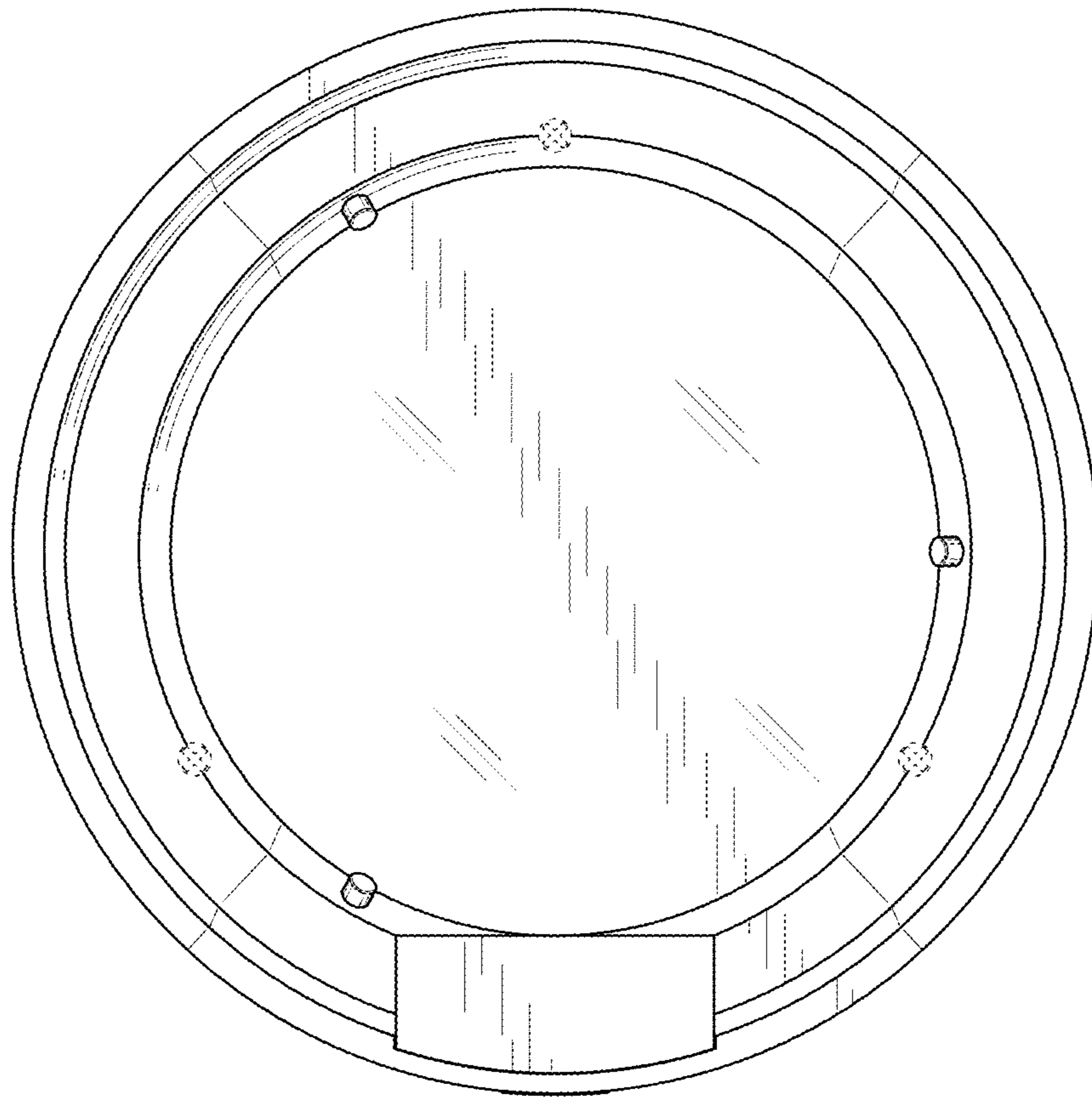


FIG.7

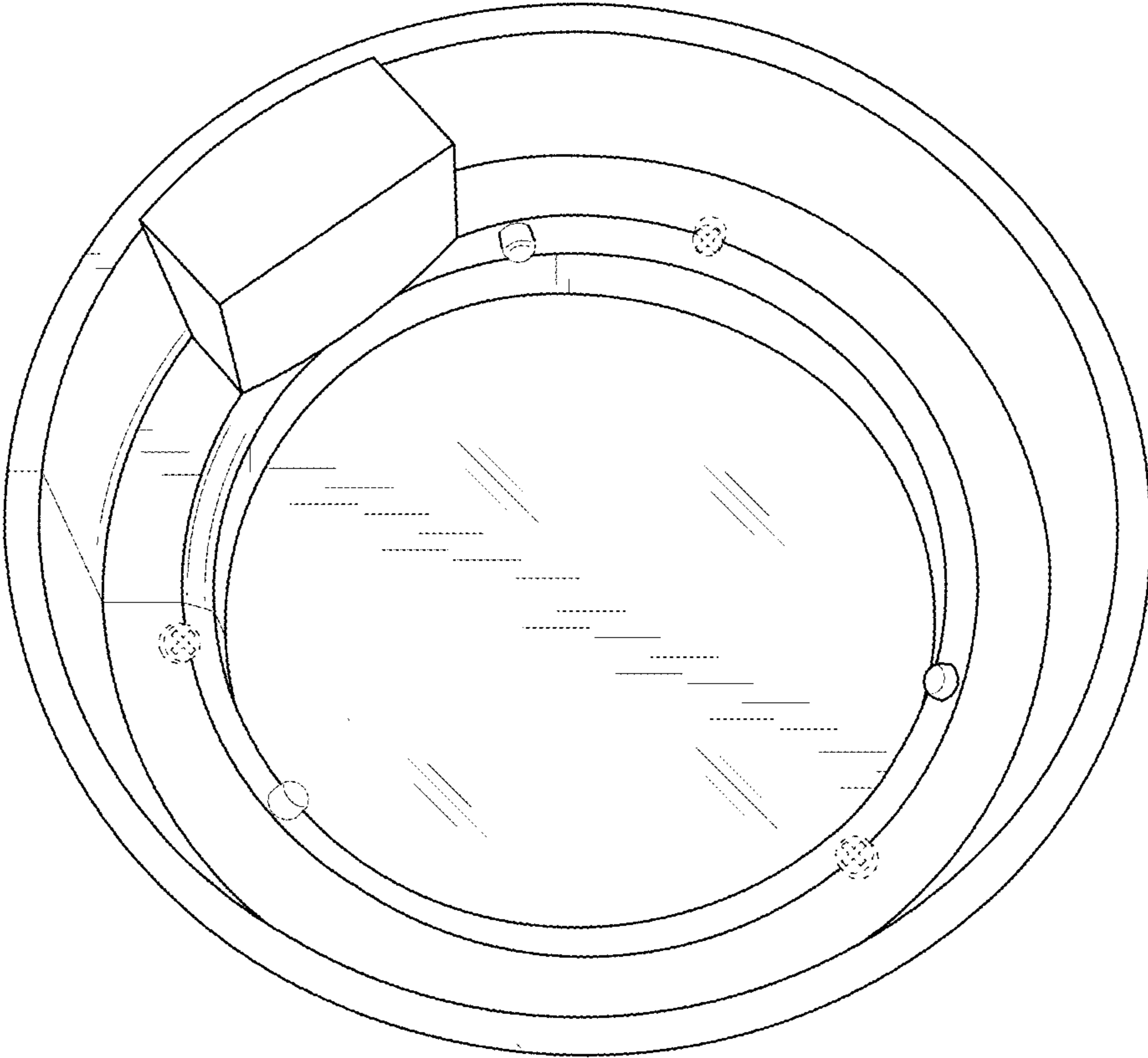


FIG. 8