



US00D790618S

(12) **United States Design Patent**
Ke et al.

(10) **Patent No.: US D790,618 S**

(45) **Date of Patent: ** Jun. 27, 2017**

(54) **ROBOT ARM**

(71) Applicant: **HIWIN TECHNOLOGIES CORP.**,
Taichung (TW)

(72) Inventors: **Cheng-Tang Ke**, Taichung (TW);
Kun-Jia Hsu, Taichung (TW);
Dong-Gu Lai, Taichung (TW);
Ren-Jeng Wang, Taichung (TW);
Wan-Yi Chang, Taichung (TW);
Chi-Hong Lin, Taichung (TW)

(73) Assignee: **Hiwin Technologies Corp.**, Taichung
(TW)

(**) Term: **15 Years**

(21) Appl. No.: **29/553,808**

(22) Filed: **Feb. 4, 2016**

(30) **Foreign Application Priority Data**

Sep. 24, 2015 (TW) 104305320

(51) **LOC (10) Cl.** **15-99**

(52) **U.S. Cl.**
USPC **D15/199**

(58) **Field of Classification Search**
USPC D15/199; D21/578-583, 621, 622
CPC B25J 9/044; B25J 9/102; Y10T 74/20305
See application file for complete search history.

(56) **References Cited**

U.S. PATENT DOCUMENTS

D279,572 S * 7/1985 Yasuoka D15/122
D287,368 S * 12/1986 Shibayama D15/122
D344,279 S * 2/1994 Koyama D15/199
D440,241 S * 4/2001 Kawahara D15/199
D443,287 S * 6/2001 Kawahara D15/199
D613,781 S * 4/2010 Liu D15/199
D616,477 S * 5/2010 Long D15/199
D624,104 S * 9/2010 Miyake 15/99

D625,347 S * 10/2010 Feng D15/199
D638,043 S * 5/2011 Tsuchiya D15/199
D638,044 S * 5/2011 Ikoma D15/199
D638,455 S * 5/2011 Long D15/199
D650,820 S * 12/2011 Long D15/199
D651,627 S * 1/2012 Long D15/199
D670,319 S * 11/2012 Liu D15/199
D677,294 S * 3/2013 Long D15/199
D678,378 S * 3/2013 Selic D15/199
D681,708 S * 5/2013 Miyake D15/199
D690,753 S * 10/2013 Liu D15/199

(Continued)

OTHER PUBLICATIONS

The 73th China Int'l Medical Equipment Fair (CMEF Spring 2014),
National Exhibition and Convention Center (Shanghai), May 15-18,
2015, 3 Pages.

(Continued)

Primary Examiner — Patricia Palasik

(74) *Attorney, Agent, or Firm* — Muncy, Geissler, Olds &
Lowe, P.C.

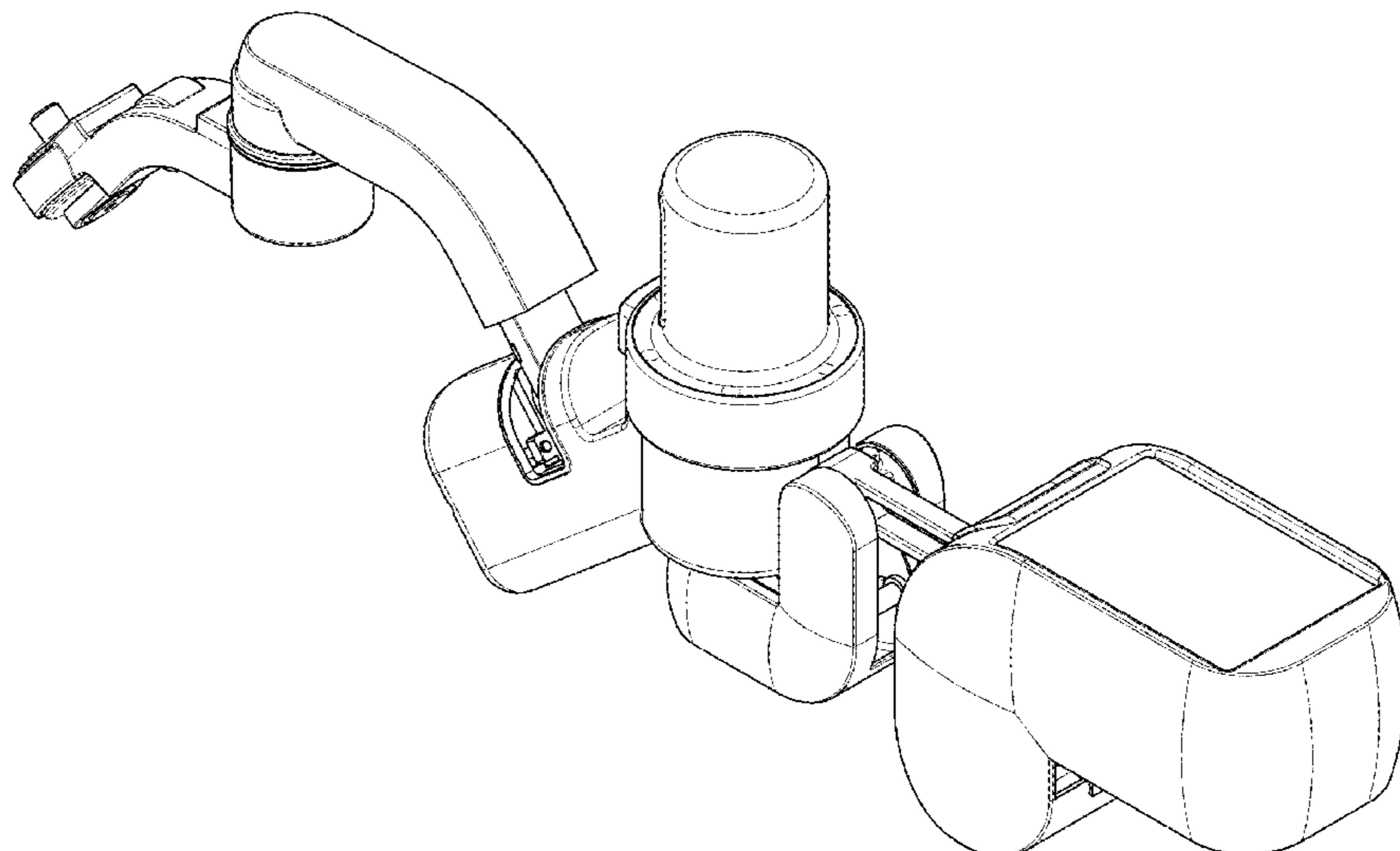
(57) **CLAIM**

The ornamental design for a robot arm, as shown and
described.

DESCRIPTION

FIG. 1 is a perspective view of the robot arm;
FIG. 2 is a front view thereof;
FIG. 3 is a rear view thereof;
FIG. 4 is a left side view thereof;
FIG. 5 is a right side view thereof;
FIG. 6 is a top view thereof;
FIG. 7 is a bottom view thereof; and,
FIG. 8 is a schematic drawing showing that the robot arm of
the present design is in use.
The broken lines in the drawings depict unclaimed environ-
mental subject matter.

1 Claim, 6 Drawing Sheets



(56)

References Cited

U.S. PATENT DOCUMENTS

D692,041 S * 10/2013 Selic D15/199
 D711,061 S * 8/2014 Chen D34/29
 D713,436 S * 9/2014 Liu D15/199
 D716,357 S * 10/2014 Gombert D15/199
 D757,144 S * 5/2016 Parrot D15/199
 D761,339 S * 7/2016 White, Jr. D15/199
 D766,348 S * 9/2016 Long D15/199
 D768,220 S * 10/2016 Kinoshita D15/199
 D769,343 S * 10/2016 Bordegnoni D15/199
 2005/0204850 A1* 9/2005 Nihei B25J 9/102
 74/490.01
 2008/0271561 A1* 11/2008 Ohara B23K 9/133
 74/490.01
 2009/0050411 A1* 2/2009 Ellqvist B25J 9/102
 184/6.12
 2010/0043587 A1* 2/2010 Broberg B25J 19/0016
 74/490.01
 2011/0303042 A1* 12/2011 Pan B25J 9/0009
 74/490.05
 2013/0060383 A1* 3/2013 Jeong B25J 9/045
 700/261

2013/0125691 A1* 5/2013 Wappling B25J 19/0062
 74/467
 2013/0305866 A1* 11/2013 Krumbacher B25J 18/06
 74/490.03
 2014/0102240 A1* 4/2014 Inada B25J 17/0283
 74/490.02
 2015/0081098 A1* 3/2015 Kogan B25J 9/1656
 700/258
 2015/0246449 A1* 9/2015 Sakai B25J 19/0025
 74/490.02
 2016/0052128 A1* 2/2016 Zimmermann B25J 9/0081
 700/261
 2016/0114480 A1* 4/2016 Krumbacher B25J 9/046
 74/490.03

OTHER PUBLICATIONS

Taiwan Automation Intelligence and Robot Show, Taiwan Automation Intelligence and Robotics Association, Jul. 16-19, 2015, Show Report. 30 Pages.

* cited by examiner

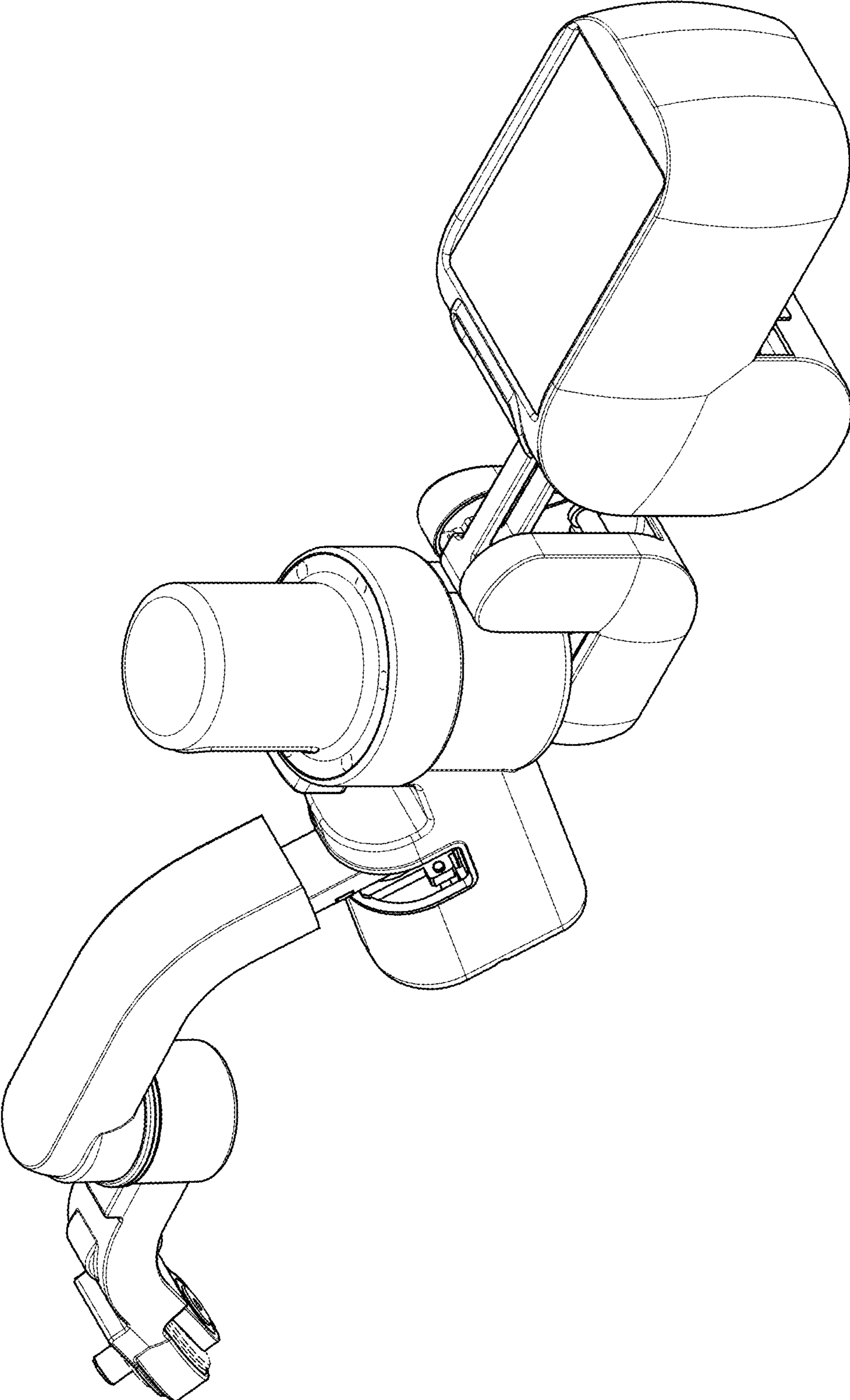


FIG. 1

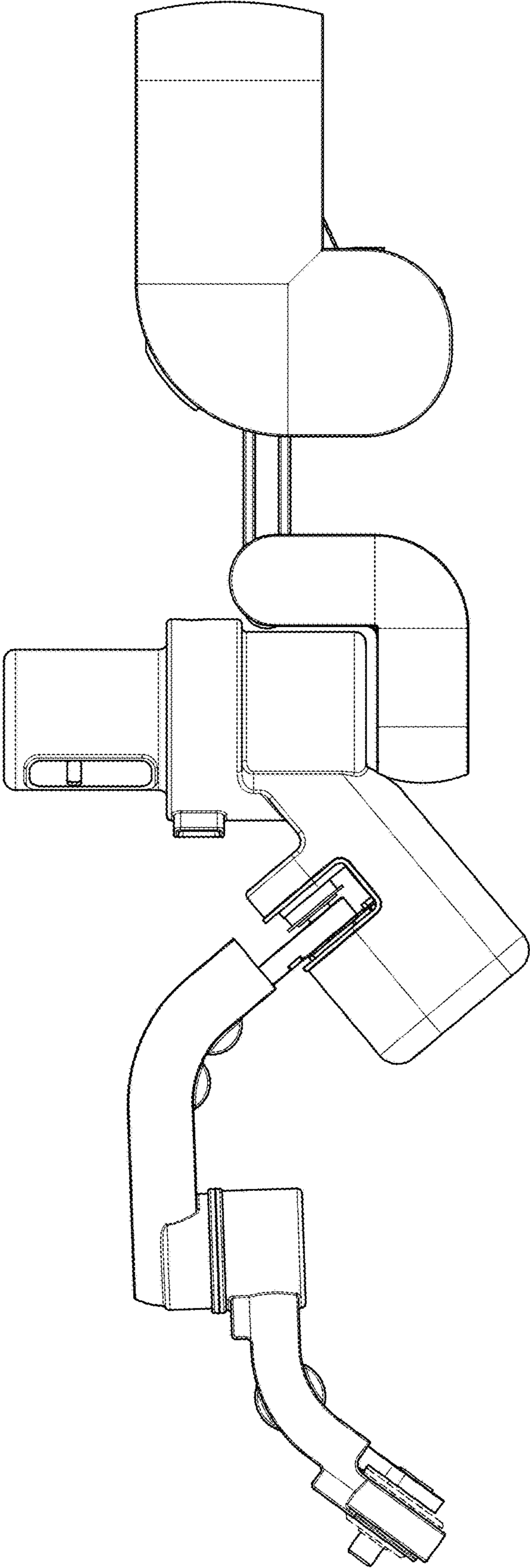


FIG. 2

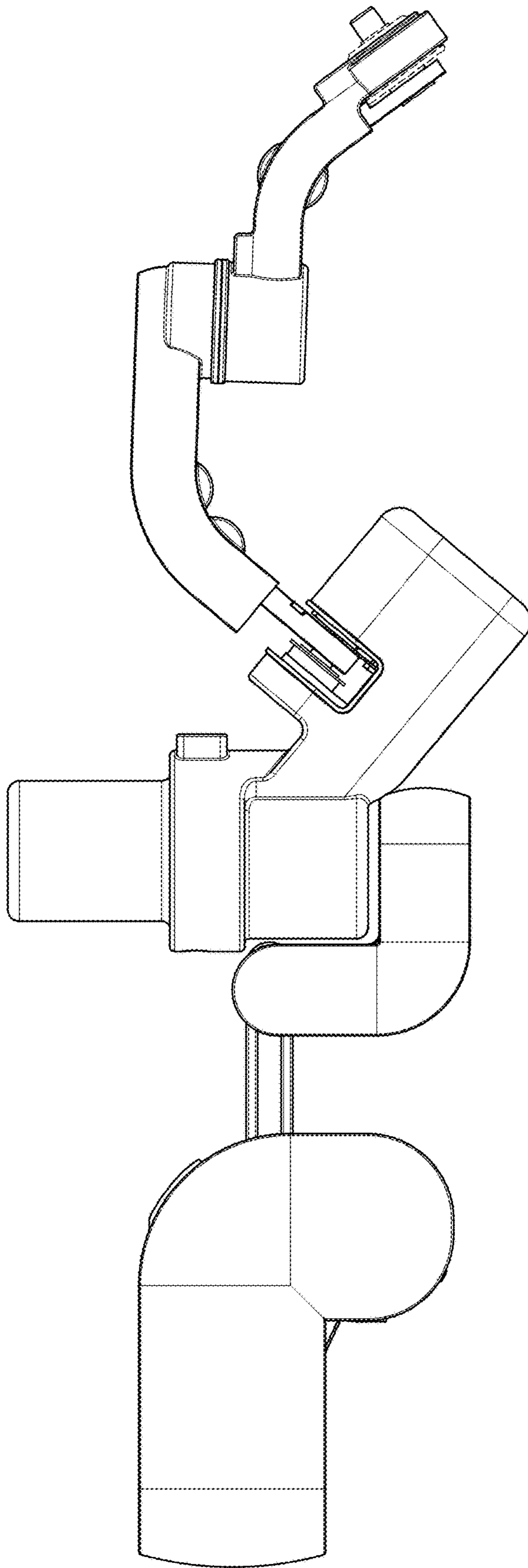


FIG. 3

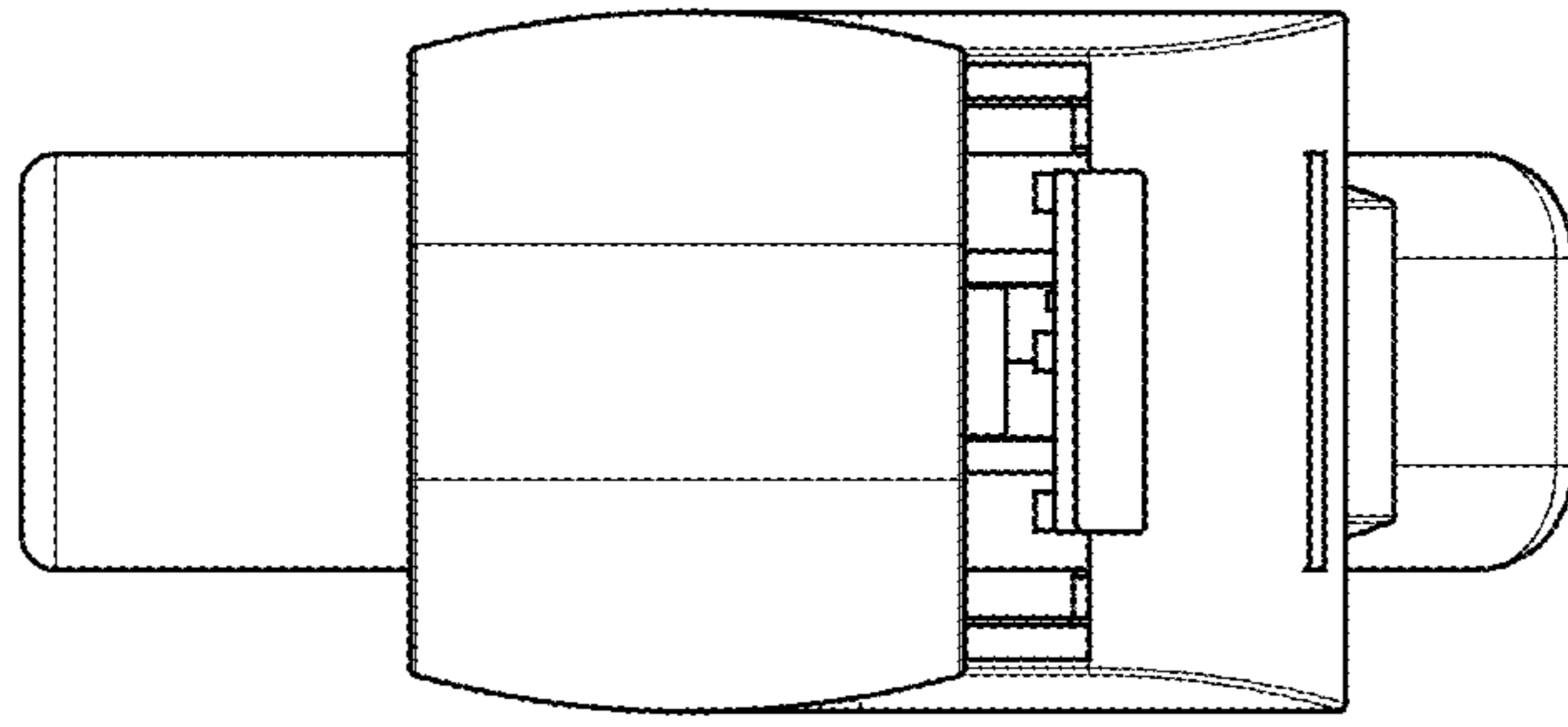


FIG. 5

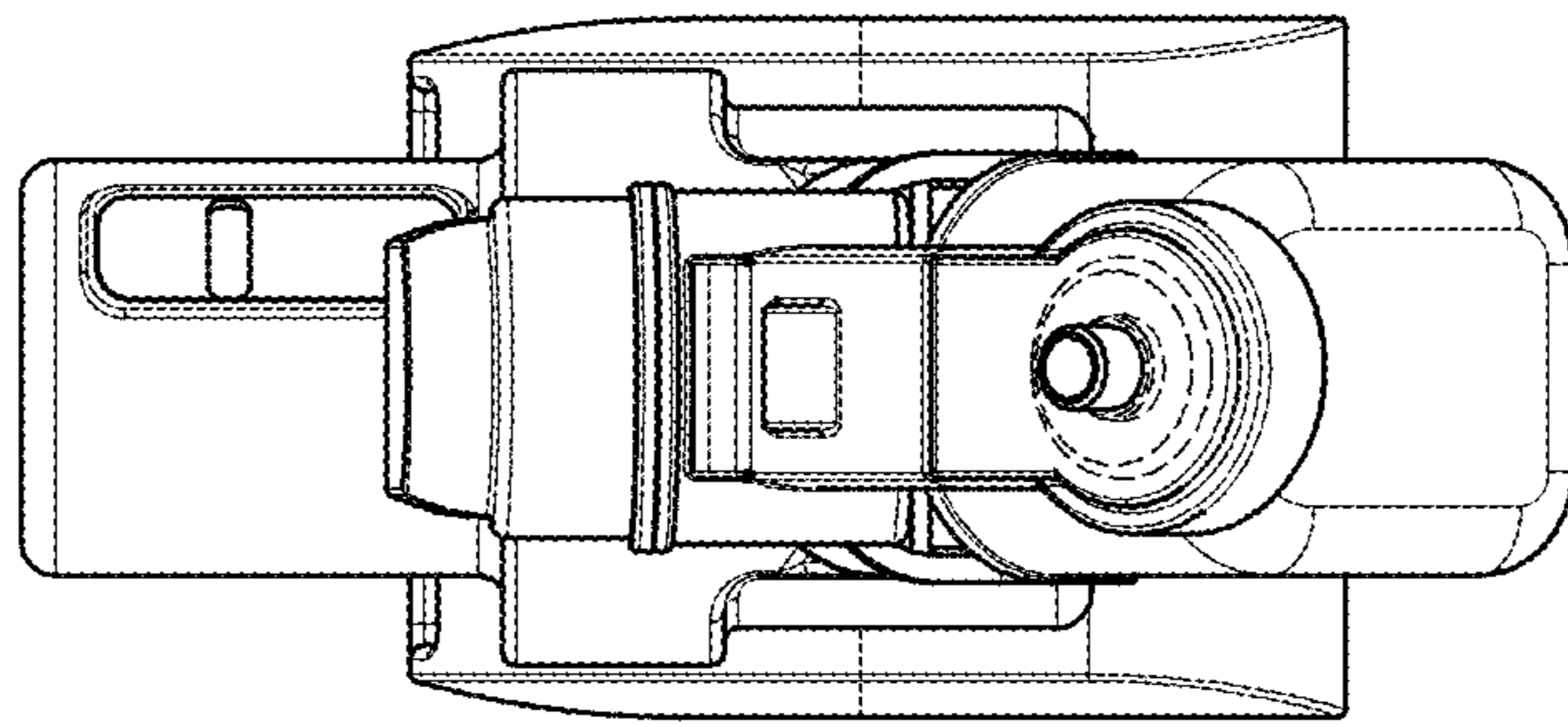


FIG. 4

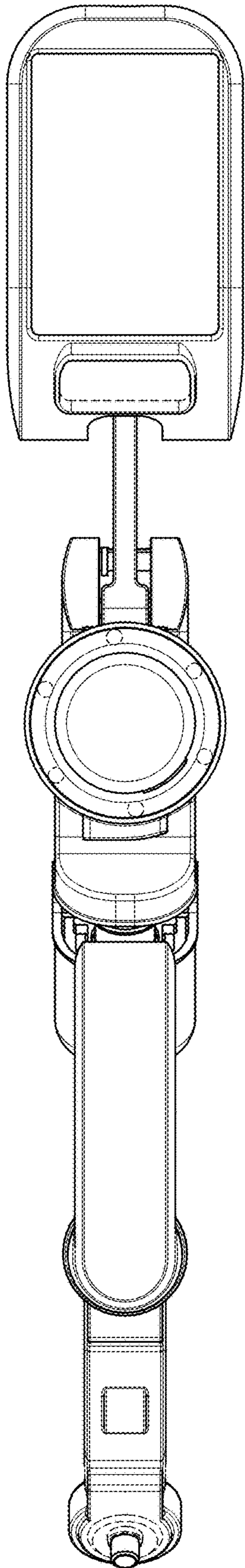


FIG. 6

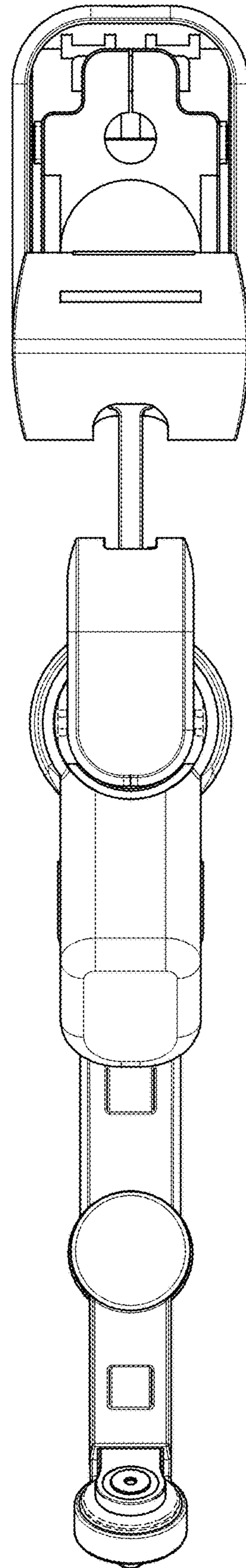


FIG. 7

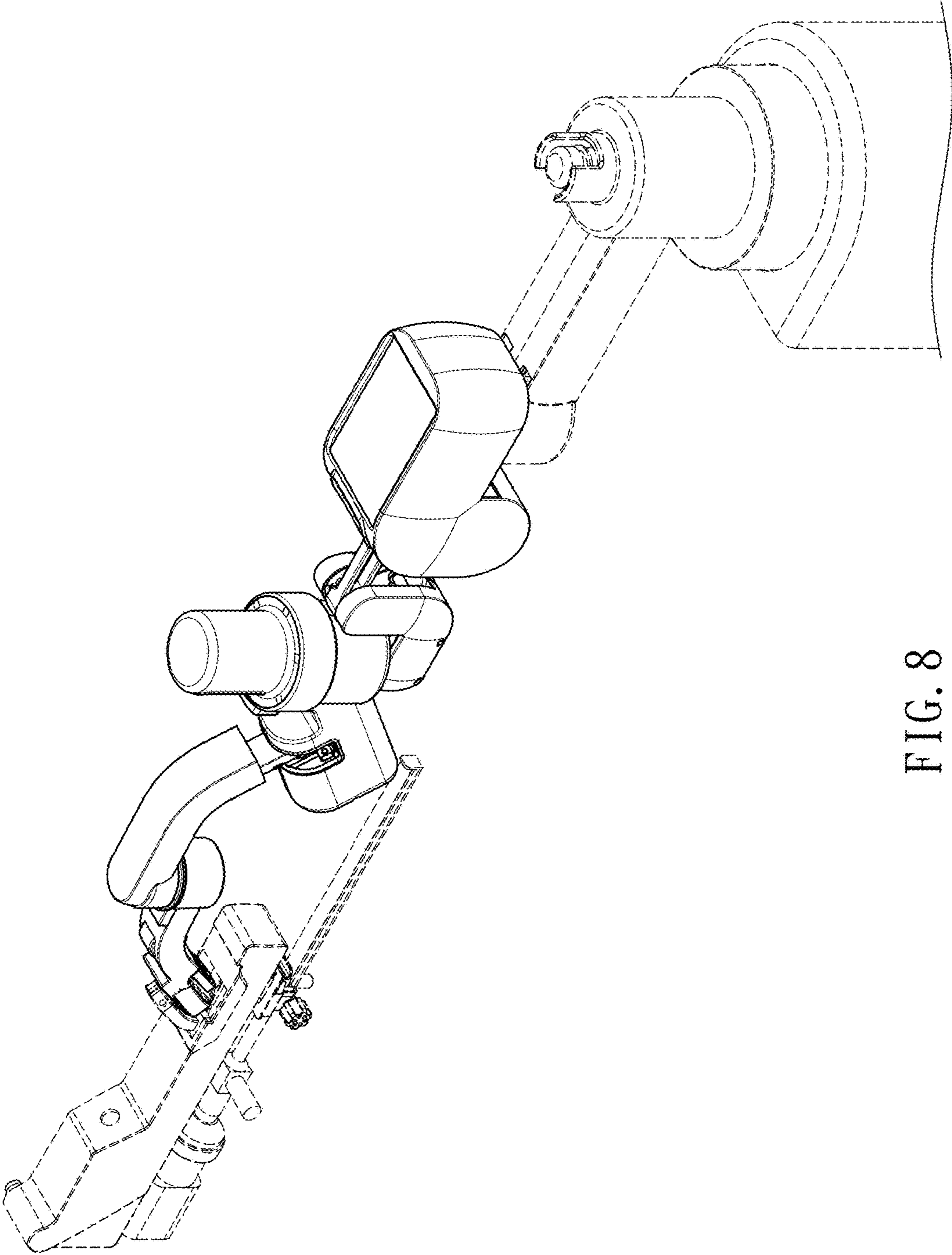


FIG. 8