



US00D790616S

(12) **United States Design Patent**  
**Tokuda**

(10) **Patent No.:** **US D790,616 S**  
(45) **Date of Patent:** **\*\* Jun. 27, 2017**

- (54) **ROTARY ACTUATOR**
- (71) Applicant: **SMC CORPORATION**, Chiyoda-ku (JP)
- (72) Inventor: **Shinji Tokuda**, Moriya (JP)
- (73) Assignee: **SMC CORPORATION**, Chiyoda-ku (JP)
- (\*\*) Term: **15 Years**
- (21) Appl. No.: **29/558,821**
- (22) Filed: **Mar. 22, 2016**
- (30) **Foreign Application Priority Data**  
Oct. 9, 2015 (JP) ..... 2015-022318
- (51) **LOC (10) Cl.** ..... **15-09**
- (52) **U.S. Cl.**  
USPC ..... **D15/148**
- (58) **Field of Classification Search**  
USPC ..... D15/143, 148, 199; D13/158, 160;  
310/10, 15, 20, 37, 38, 40 R, 80, 114,  
310/300  
CPC ..... F15B 15/00; F15B 15/065; F15B 15/12;  
H02K 7/00; H02K 5/24; H02K 19/06;  
H02K 26/00; H02K 33/00; H02K 33/16;  
H02K 37/00  
See application file for complete search history.

- (56) **References Cited**  
U.S. PATENT DOCUMENTS  
4,520,331 A \* 5/1985 Steidel ..... H01F 7/145  
310/156.32  
4,999,531 A \* 3/1991 Mavadia ..... H02K 26/00  
310/23  
6,170,797 B1 \* 1/2001 Kimura ..... F15B 15/066  
251/58

- 7,256,519 B2 \* 8/2007 Ito ..... F04B 35/045  
310/12.27
- 7,436,094 B2 \* 10/2008 Zhao ..... H02K 7/00  
310/154.22
- D638,454 S \* 5/2011 Torii ..... D15/143
- D639,321 S \* 6/2011 Torii ..... D15/143
- 7,973,445 B2 \* 7/2011 Bischel ..... H02K 19/06  
310/162
- D673,196 S \* 12/2012 von Hafen ..... D15/148
- 2007/0204707 A1 \* 9/2007 Maffeis ..... F15B 15/065  
74/25
- 2010/0064885 A1 \* 3/2010 Werkhoven ..... F15B 15/262  
92/121
- 2014/0117788 A1 \* 5/2014 Takahashi ..... H02K 33/16  
310/38
- 2015/0270764 A1 \* 9/2015 Motoyanagi ..... H02K 33/12  
310/38

(Continued)

*Primary Examiner* — Selina Sikder  
(74) *Attorney, Agent, or Firm* — Oblon, McClelland, Maier & Neustadt, L.L.P.

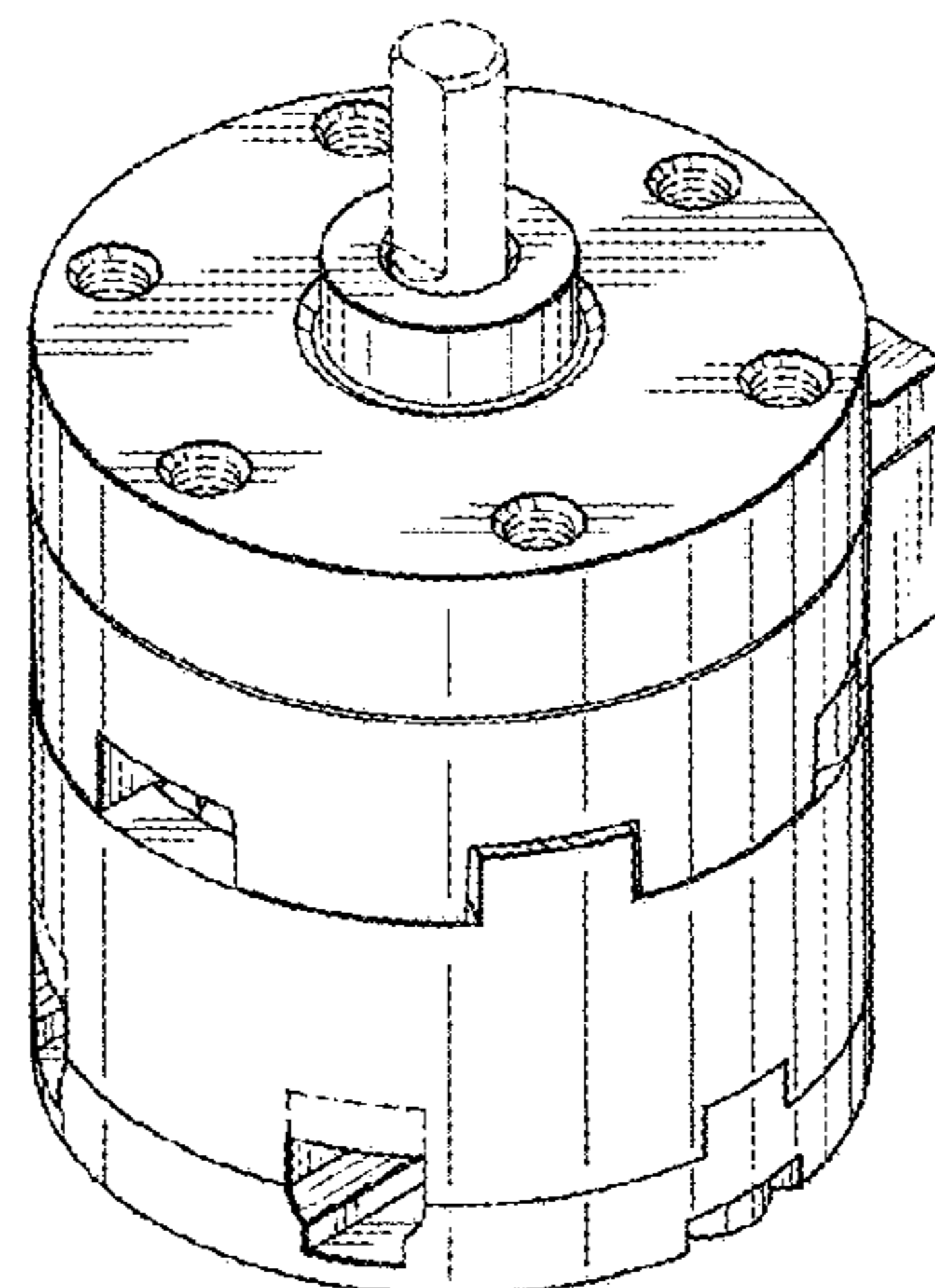
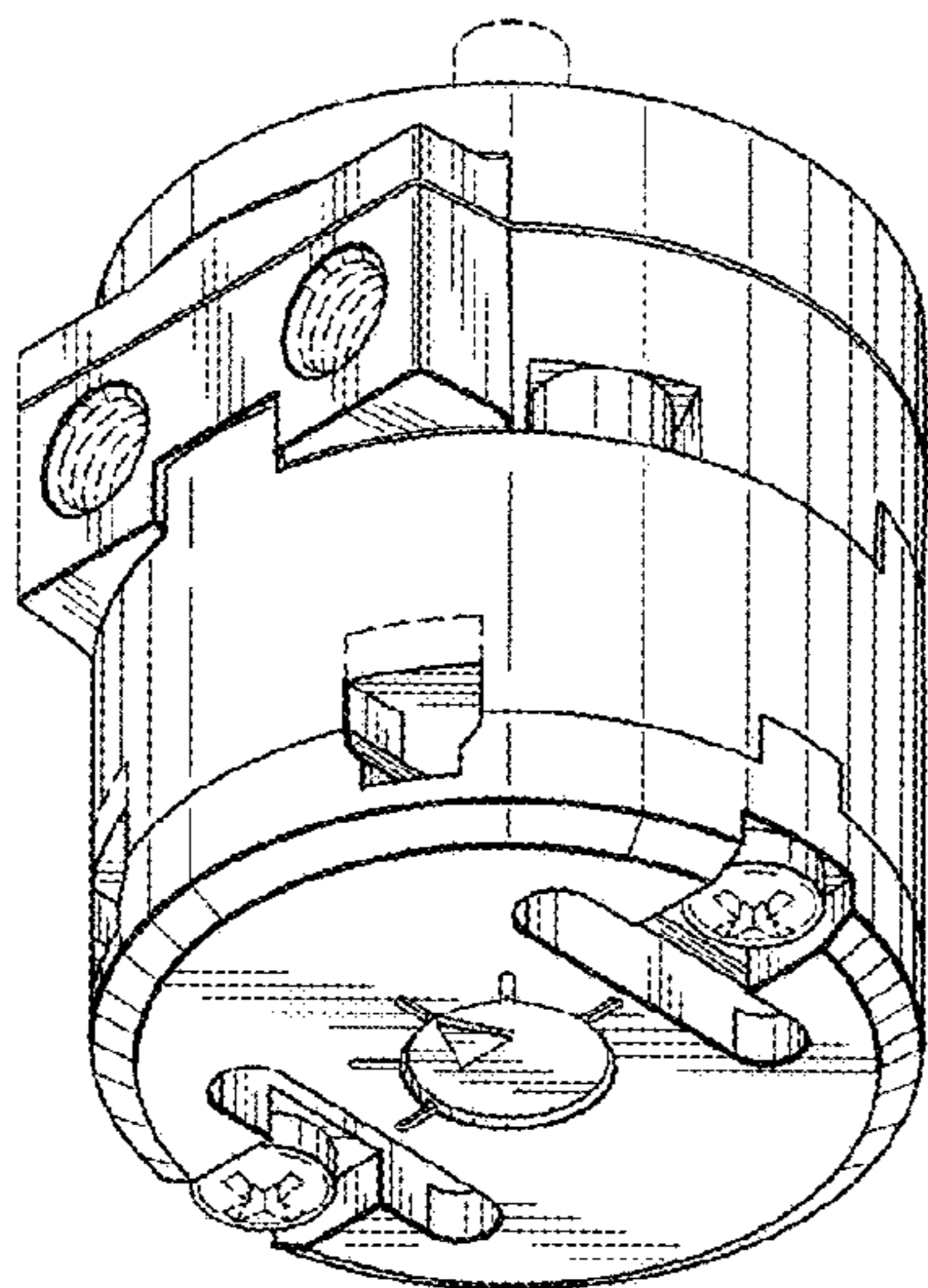
(57) **CLAIM**

The ornamental design for a rotary actuator, as shown and described.

**DESCRIPTION**

FIG. 1 is a front elevational view of a rotary actuator; FIG. 2 is a rear elevational view thereof; FIG. 3 is a top plan view thereof; FIG. 4 is a bottom plan view thereof; FIG. 5 is a left side elevational view thereof, the right side elevational view being a mirror image of the left side elevational view shown; FIG. 6 is a front, bottom, and right side perspective view thereof; and, FIG. 7 is a rear, top, and left side perspective view thereof. The broken lines in the drawings illustrate subject matter that forms no part of the claimed design.

**1 Claim, 3 Drawing Sheets**



(56)

**References Cited**

U.S. PATENT DOCUMENTS

2016/0020668 A1\* 1/2016 Ishikawa ..... H02K 5/24  
310/38  
2016/0290371 A1\* 10/2016 Ryu ..... F15B 15/12

\* cited by examiner

Fig. 1

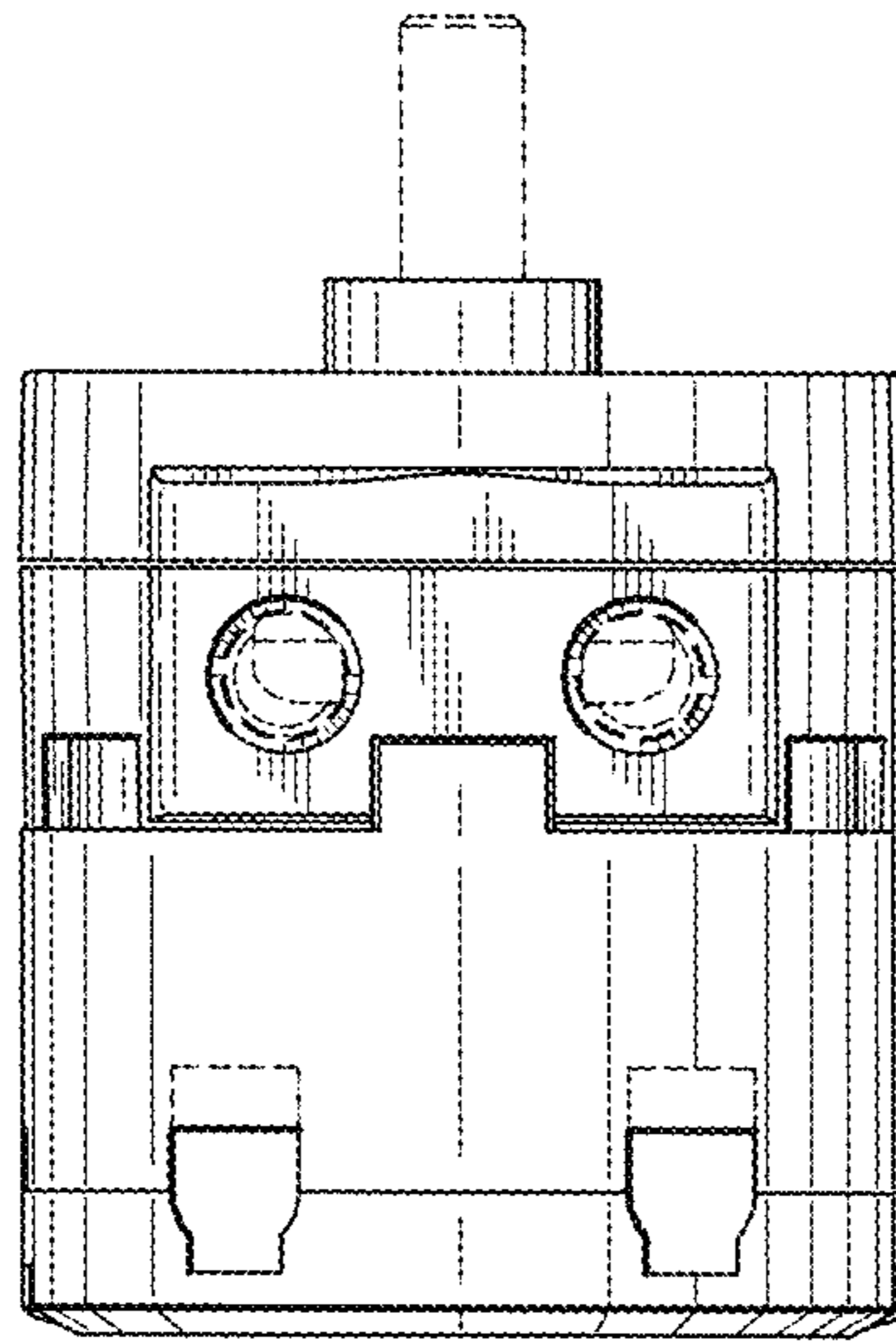


Fig. 2

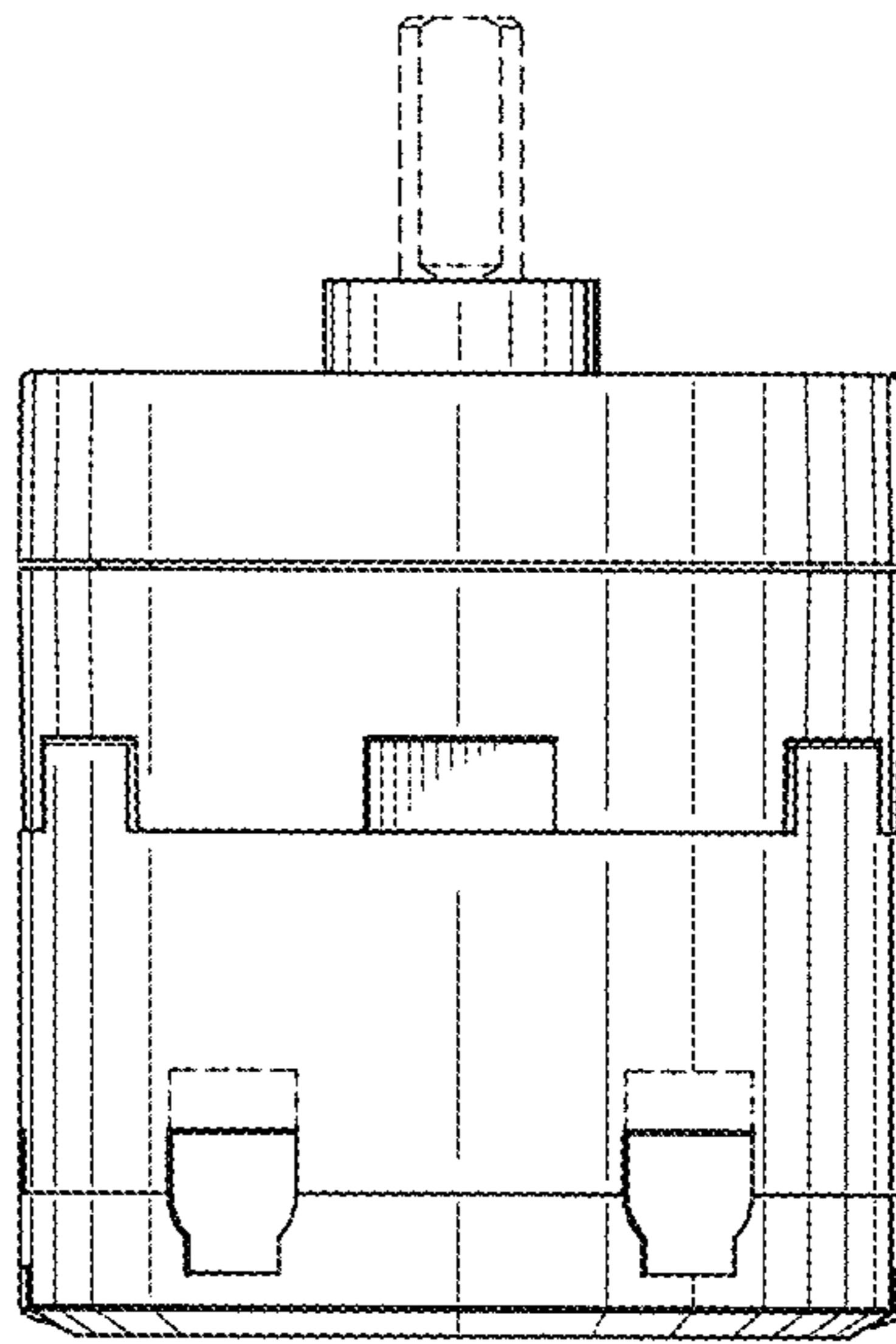


Fig. 3

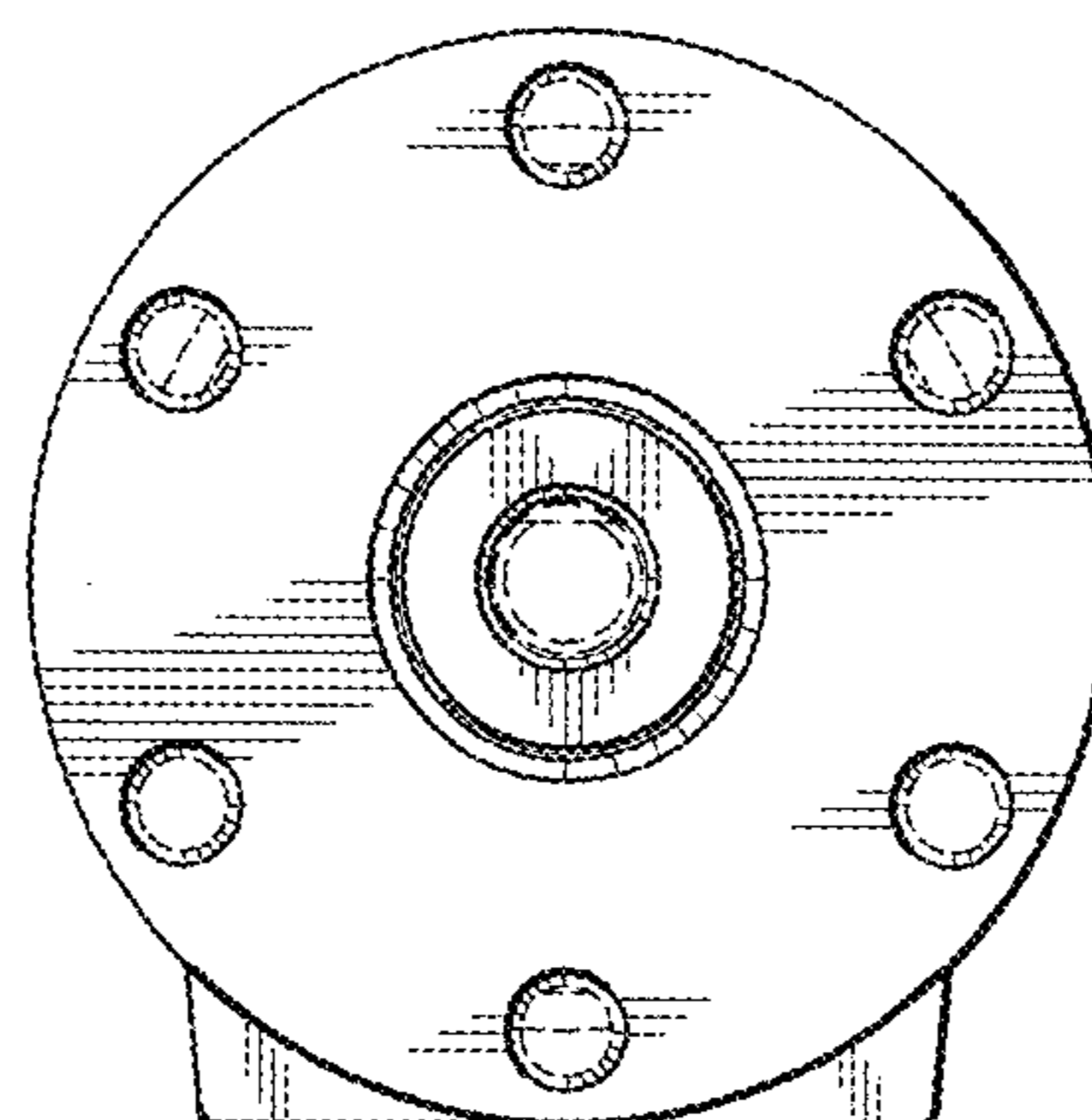


Fig. 4

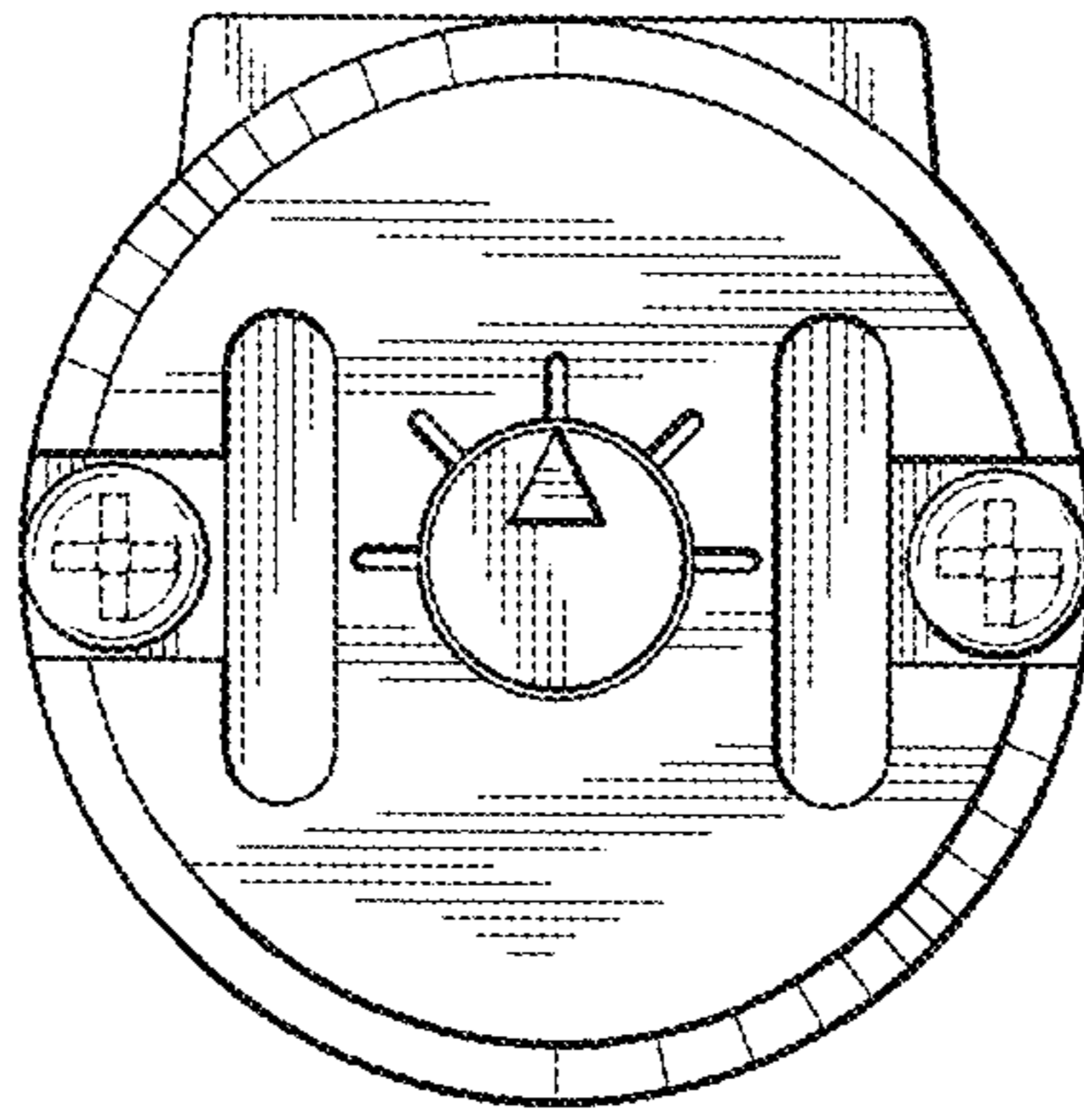


Fig. 5

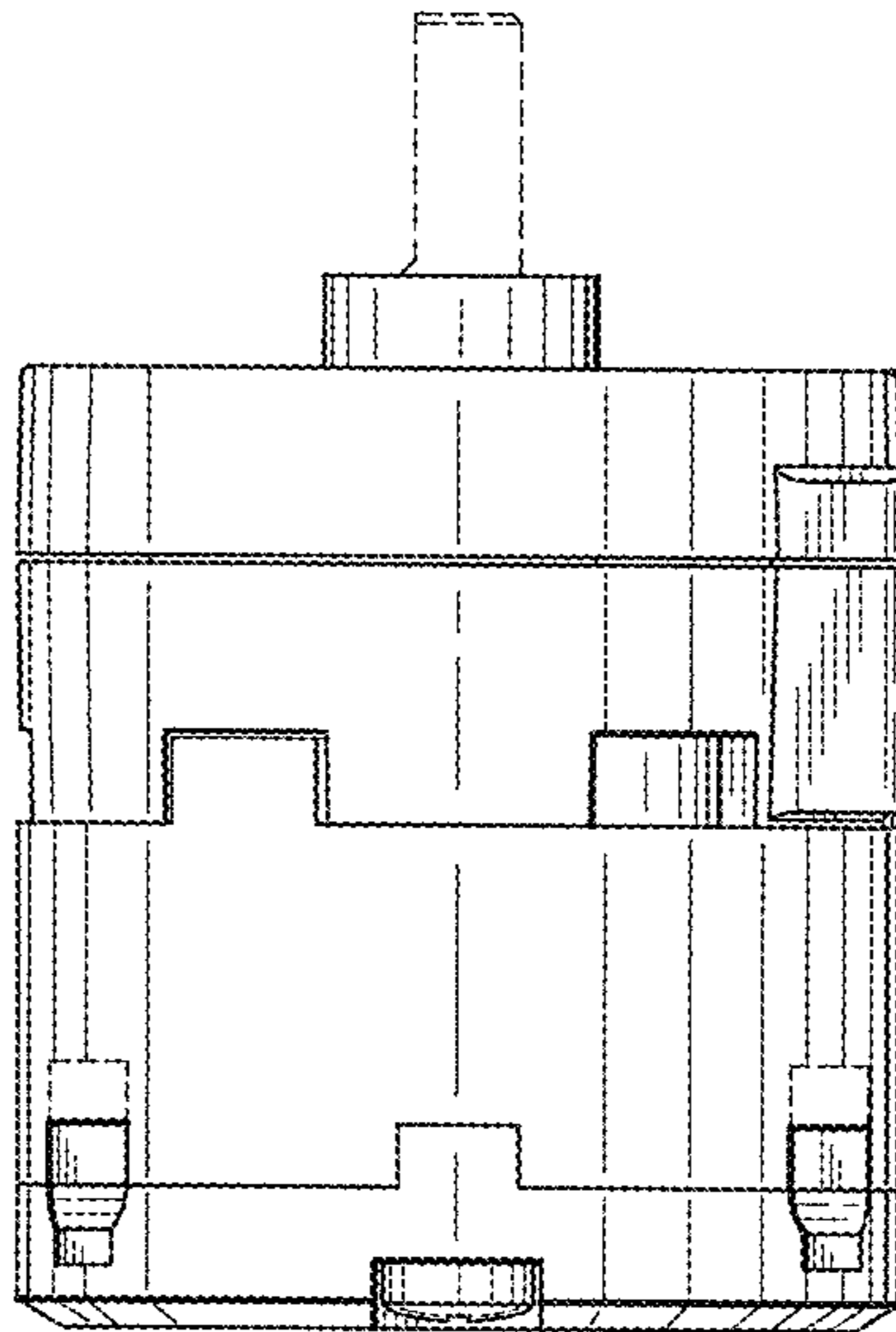


Fig. 6

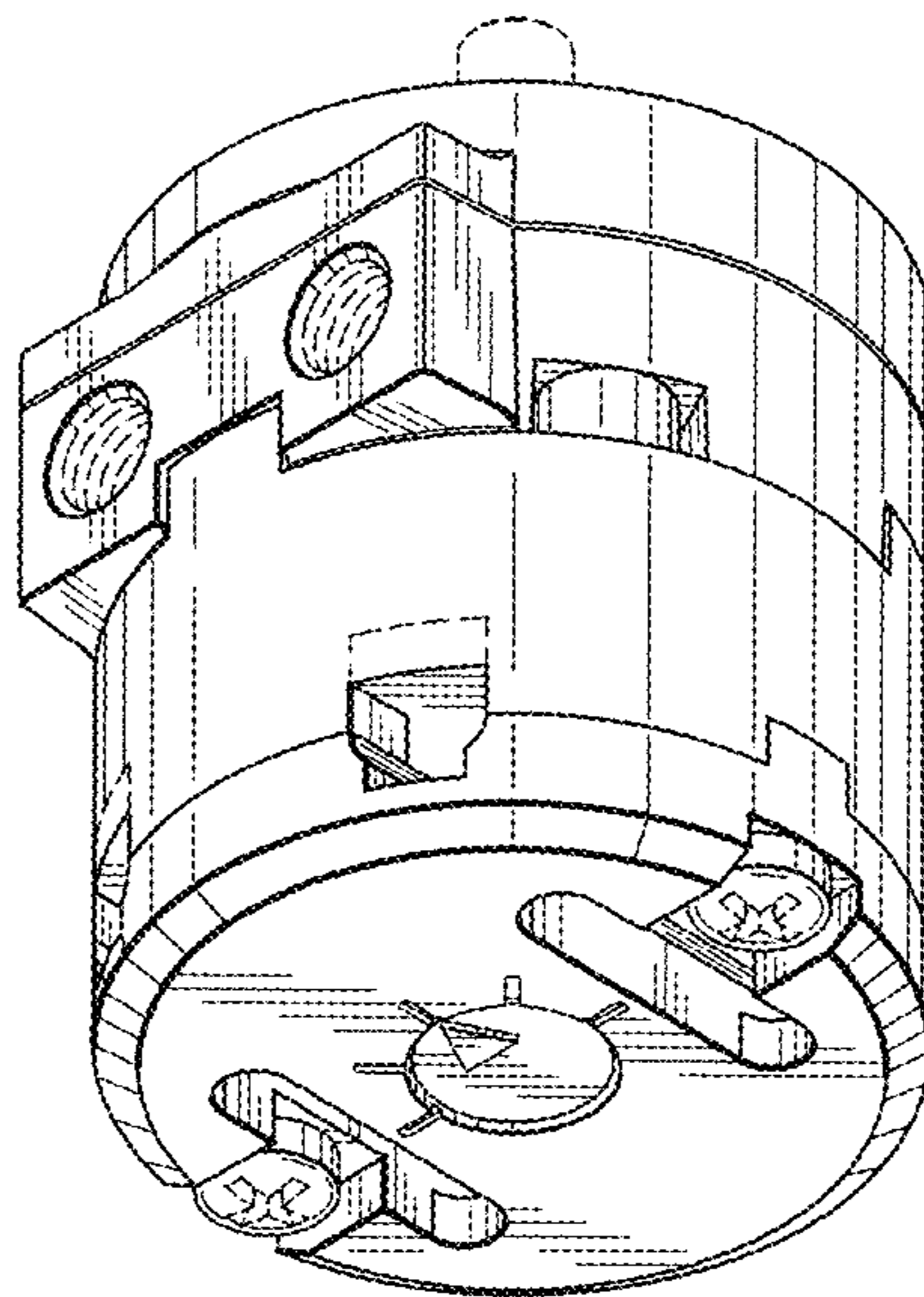


Fig. 7

