



US00D790613S

(12) **United States Design Patent**
Fischer et al.

(10) **Patent No.:** **US D790,613 S**
(45) **Date of Patent:** **** Jun. 27, 2017**

(54) **CONTROL APPARATUS FOR A SOLDERING IRON**

(71) Applicant: **Apex Brands, Inc.**, Apex, NC (US)

(72) Inventors: **Thomas Fischer**, Bietigheim (DE);
Uwe Loch, Löchgau (DE)

(73) Assignee: **APEX BRANDS, INC.**, Apex, NC (US)

(**) Term: **15 Years**

(21) Appl. No.: **29/549,231**

(22) Filed: **Dec. 21, 2015**

(30) **Foreign Application Priority Data**

Jun. 30, 2015 (EM) 002728527

(51) **LOC (10) Cl.** **15-09**

(52) **U.S. Cl.**
USPC **D15/144.2**

(58) **Field of Classification Search**
USPC D8/14, 29.1, 29.2, 30; D15/144, 144.1, D15/144.2
CPC B23K 3/027; B23K 3/033; B23K 3/03; B23K 3/0478
See application file for complete search history.

(56) **References Cited**

U.S. PATENT DOCUMENTS

- 2,494,840 A * 1/1950 Stephenson B23K 3/027 219/231
- 4,418,268 A * 11/1983 Munshaw B23K 3/027 219/240
- D428,427 S * 7/2000 Neef D15/144.2
- D490,448 S * 5/2004 Ishihara D15/144

- D497,527 S * 10/2004 Masaki D8/30
- D527,402 S * 8/2006 Loch D15/144.2
- D530,349 S * 10/2006 Ishihara D15/144.2
- D576,459 S * 9/2008 Mochizuki D8/30
- D620,328 S * 7/2010 Masaki D8/30
- D656,525 S * 3/2012 Mochizuki D15/144.2
- D703,715 S * 4/2014 Kita D15/144
- D740,339 S * 10/2015 Teraoka D15/144.2
- D762,754 S * 8/2016 Kita D15/144.2

* cited by examiner

Primary Examiner — Phillip S Hyder

(74) *Attorney, Agent, or Firm* — Coats & Bennett, PLLC

(57) **CLAIM**

The ornamental design for a control apparatus for a soldering iron, as shown and described.

DESCRIPTION

FIG. 1 is a perspective view of a control apparatus for a soldering iron embodying our new design.

FIG. 2 is a back view of the control apparatus for a soldering iron of FIG. 1.

FIG. 3 is a bottom view of the control apparatus for a soldering iron of FIG. 1.

FIG. 4 is a front view of the control apparatus for a soldering iron of FIG. 1.

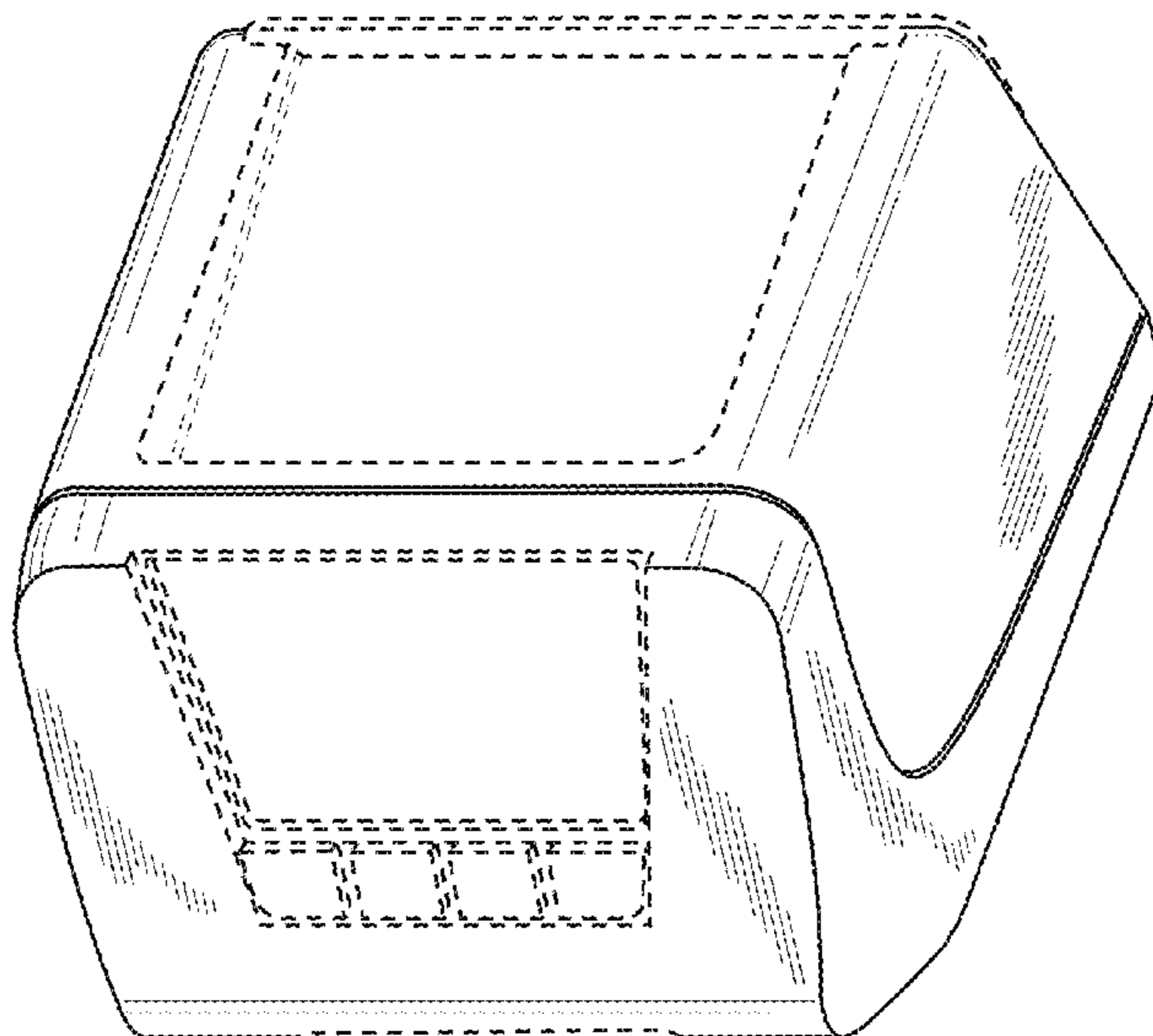
FIG. 5 is a left side view of the control apparatus for a soldering iron of FIG. 1.

FIG. 6 is a right side view of the control apparatus for a soldering iron of FIG. 1; and,

FIG. 7 is a top view of the control apparatus for a soldering iron of FIG. 1.

The broken lines depict portions of the control apparatus in which the design is embodied that are not considered part of the claimed design.

1 Claim, 7 Drawing Sheets



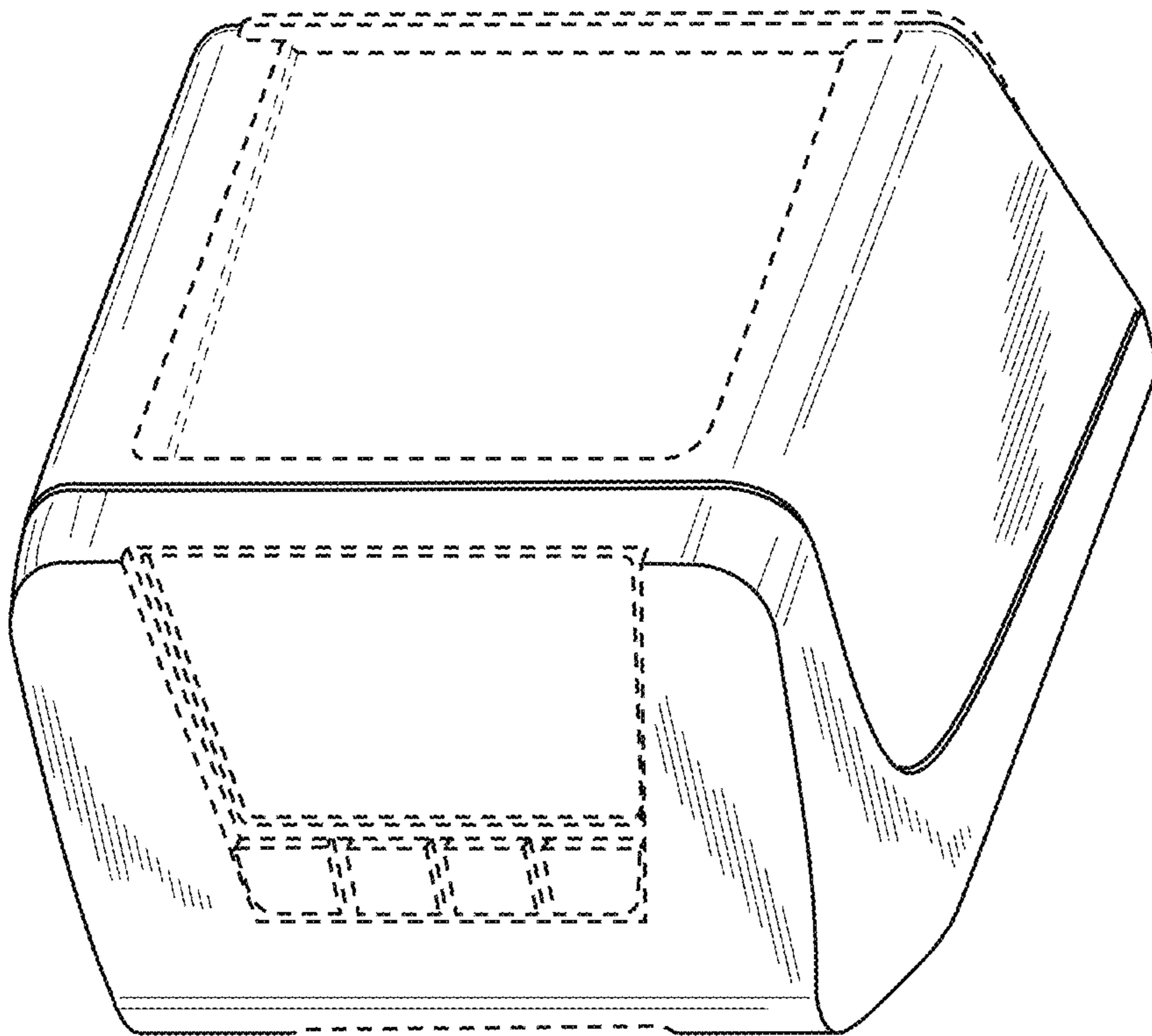


FIG. 1

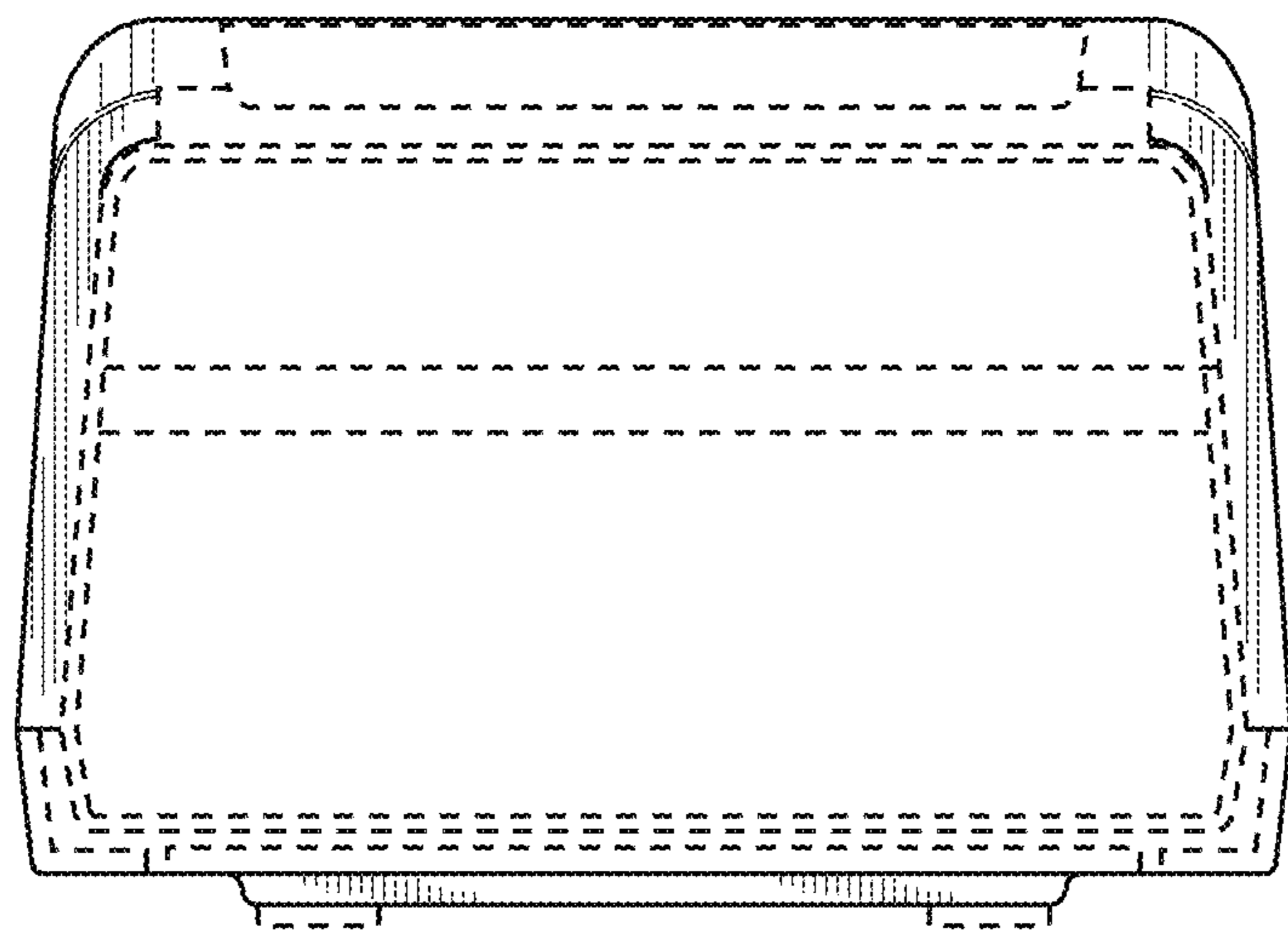


FIG. 2

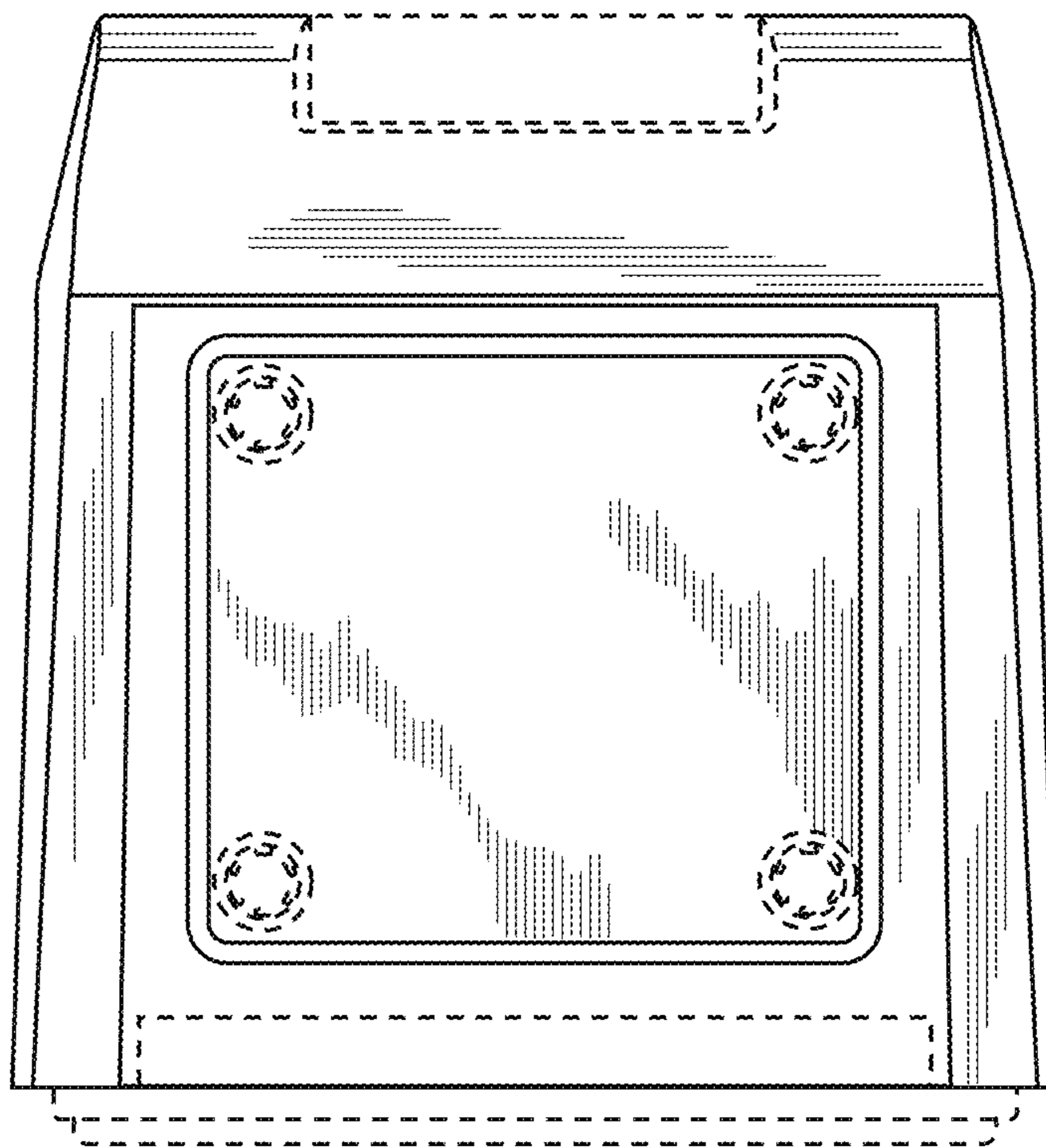


FIG. 3

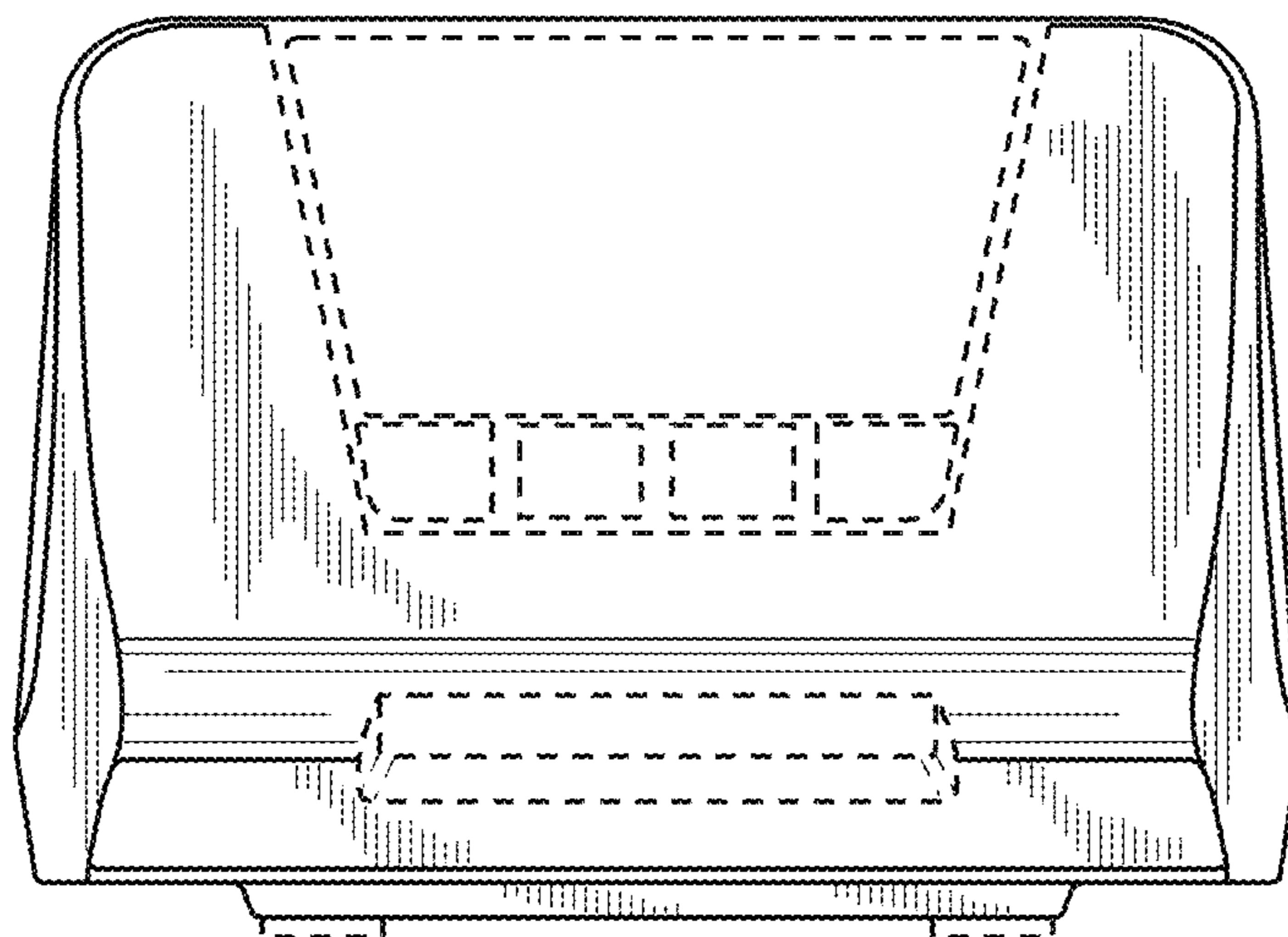


FIG. 4

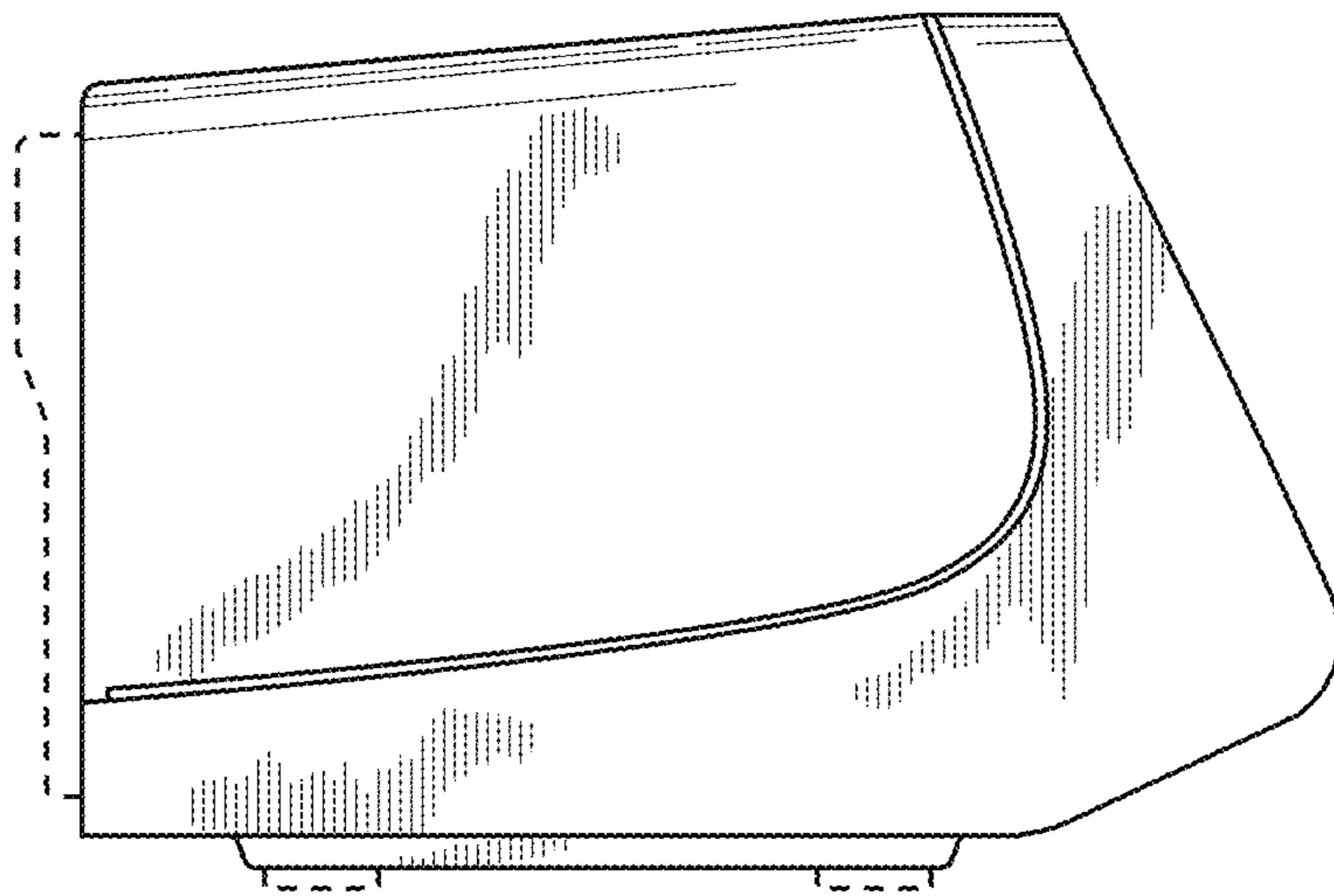


FIG. 5

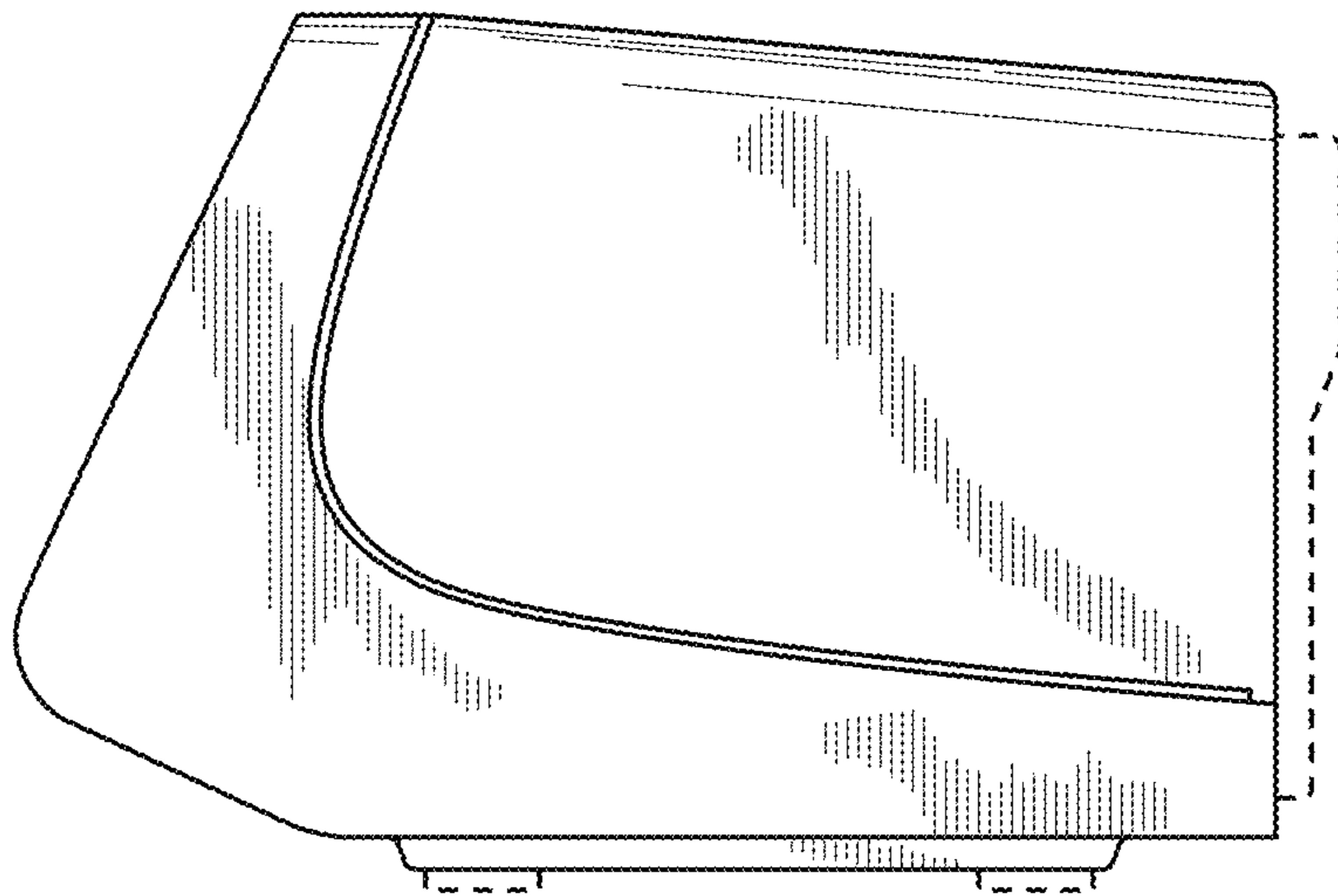


FIG. 6

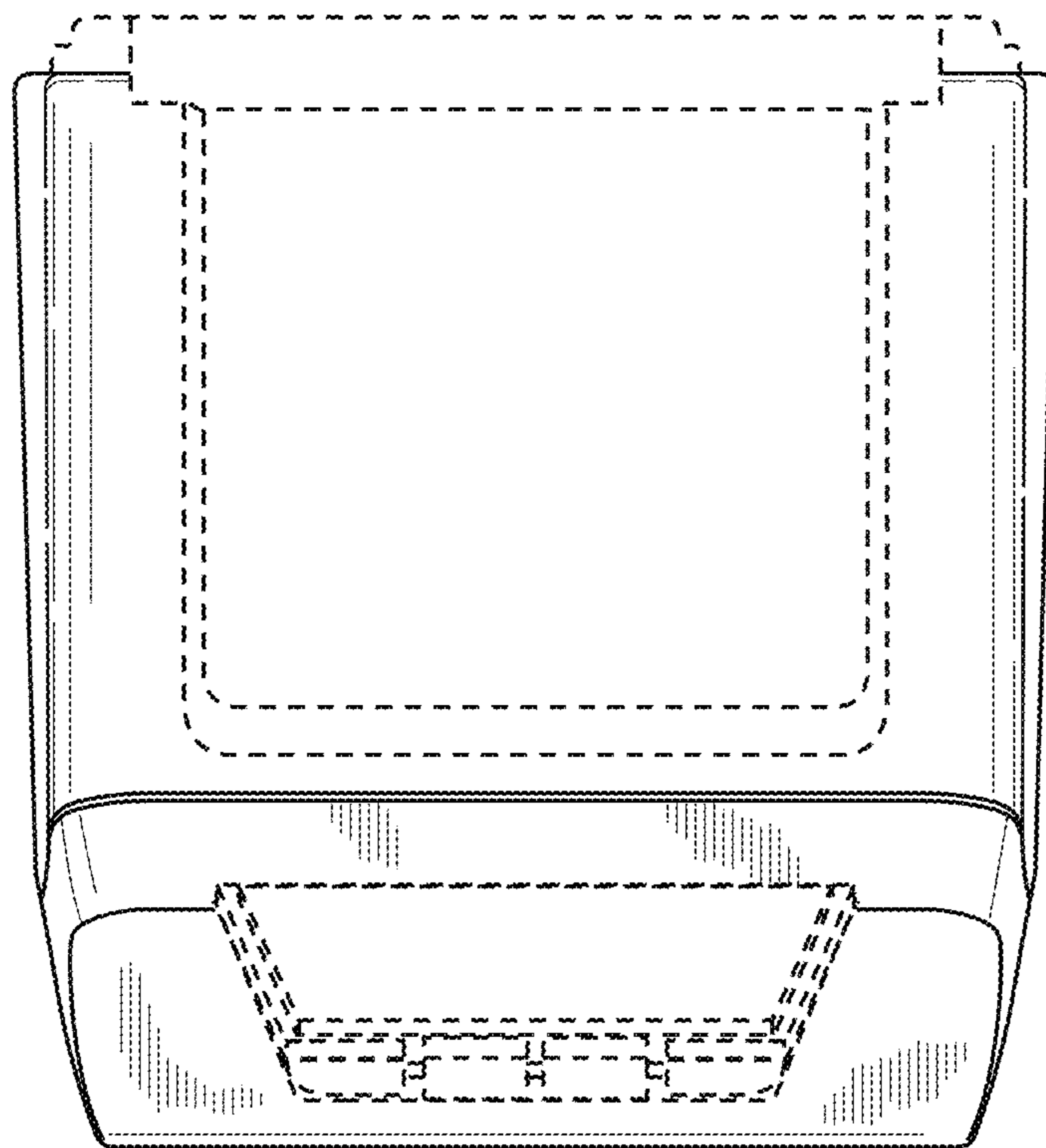


FIG. 7