



US00D790612S

(12) **United States Design Patent**  
**Haimer**

(10) **Patent No.:** **US D790,612 S**  
(45) **Date of Patent:** **\*\* Jun. 27, 2017**

(54) **ABRADING AND FOUNDING MACHINE TOOL**

(71) Applicant: **Haimer GmbH**, Hollenbach-Igenhausen (DE)

(72) Inventor: **Andreas Haimer**, Igenhausen (DE)

(73) Assignee: **Haimer GmbH**, Hollenbach-Igenhausen (DE)

(\*\*) Term: **15 Years**

(21) Appl. No.: **29/554,746**

(22) Filed: **Feb. 15, 2016**

(30) **Foreign Application Priority Data**

Aug. 13, 2015 (EM) ..... 002754499-0004

(51) **LOC (10) Cl.** ..... **15-09**

(52) **U.S. Cl.**  
USPC ..... **D15/138**; D8/387

(58) **Field of Classification Search**  
USPC ..... D8/90, 382, 387, 388, 391, 393, 397;  
D15/124, 126, 131, 138

CPC ..... F16B 23/00; F16B 33/02; F16B 25/0021;  
F16B 25/0026; F16B 25/0031; F16B  
25/0084; F16B 25/0036; Y10S 411/914;  
Y10S 451/906; Y10S 451/911; E21B  
10/44; B23C 5/10; B22F 2005/001; B22F  
2005/004; B22F 5/06

See application file for complete search history.

(56) **References Cited**

**U.S. PATENT DOCUMENTS**

5,078,219 A \* 1/1992 Morrell ..... B28D 1/12  
299/111  
5,082,405 A \* 1/1992 Witten ..... B29C 65/42  
411/178

D324,648 S \* 3/1992 Hebert, Sr. .... D8/382  
6,056,485 A \* 5/2000 Magill ..... B23C 5/10  
407/54  
9,227,253 B1 \* 1/2016 Swift ..... B23C 5/28  
2004/0120777 A1 \* 6/2004 Noland ..... B23C 5/10  
407/63  
2008/0042484 A1 \* 2/2008 Majagi ..... B22F 7/062  
299/111

(Continued)

**OTHER PUBLICATIONS**

Duo-Lock—The Next Level of Modular Endmilling, video post date: Oct. 23, 2014 via YouTube, Site visited on Dec. 21, 2016, <<https://www.youtube.com/watch?v=MbFLM896L-s>>.\*

*Primary Examiner* — Sandra Snapp

*Assistant Examiner* — Ieisha Price

(74) *Attorney, Agent, or Firm* — Meunier Carlin & Curfman LLC

(57) **CLAIM**

The ornamental design for an abrading and founding machine tool, as shown and described.

**DESCRIPTION**

FIG. 1 is a front, top, right-side perspective view of my new design;

FIG. 2 is a front, bottom, left-side perspective view thereof;

FIG. 3 is a front, bottom, right-side perspective view thereof;

FIG. 4 is a rear, bottom, left-side perspective view thereof;

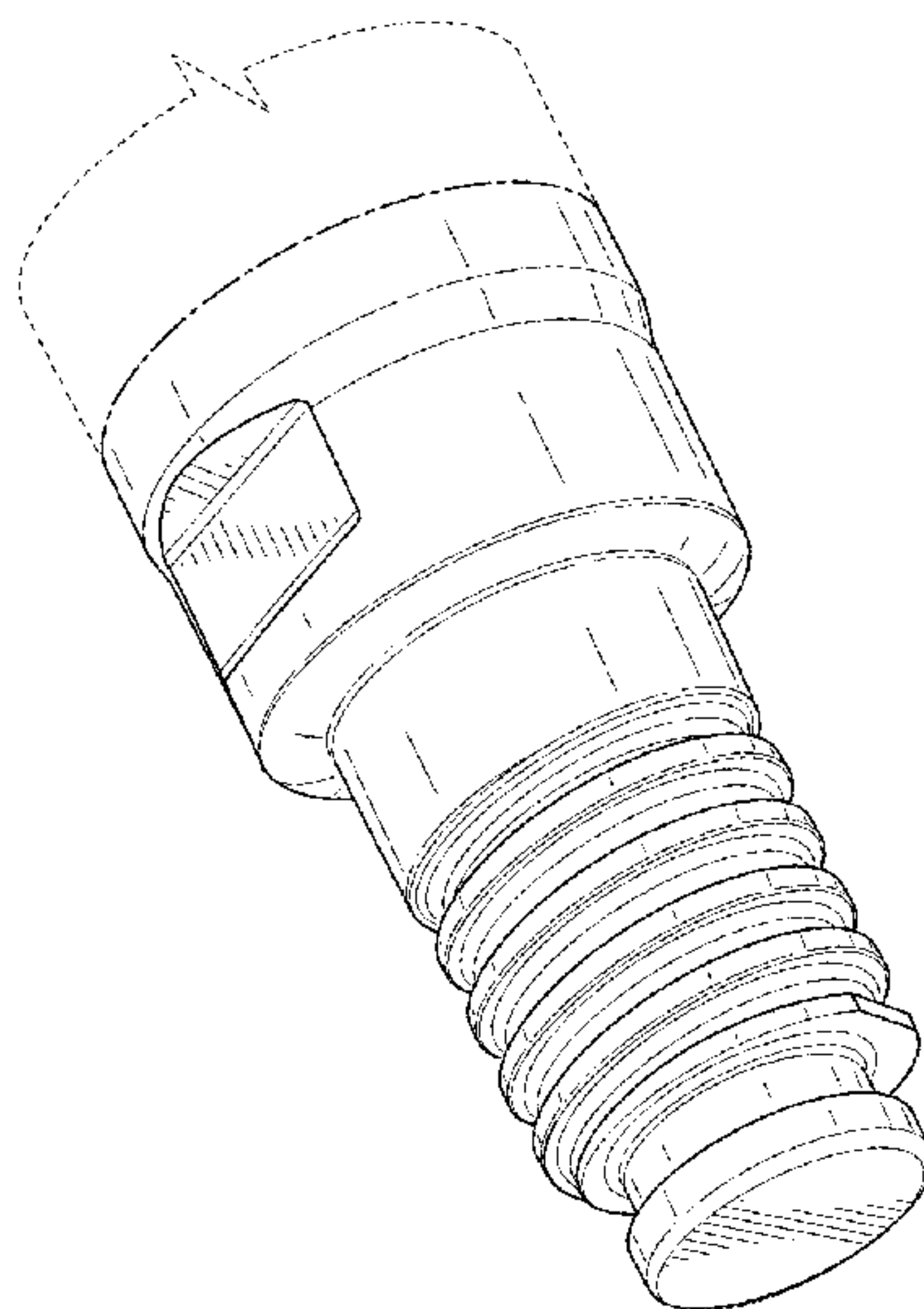
FIG. 5 is a front view thereof;

FIG. 6 is a right-side view thereof; and,

FIG. 7 is a bottom view thereof.

The broken lines consisting of only short dashes represent portions of the article that form no part of the claimed design. The broken lines consisting of long dashes and short dashes are boundary lines that show that the claimed design extends to the boundary line.

**1 Claim, 6 Drawing Sheets**



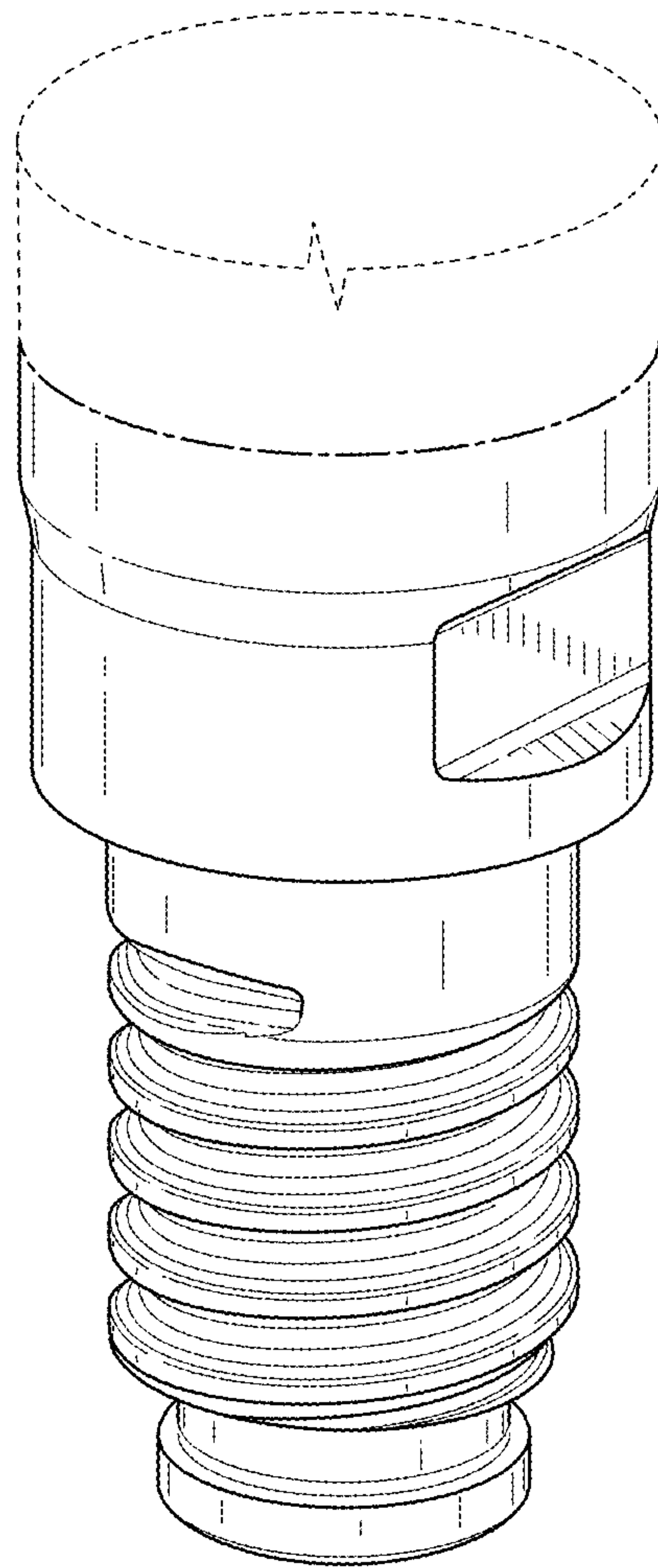
(56)

**References Cited**

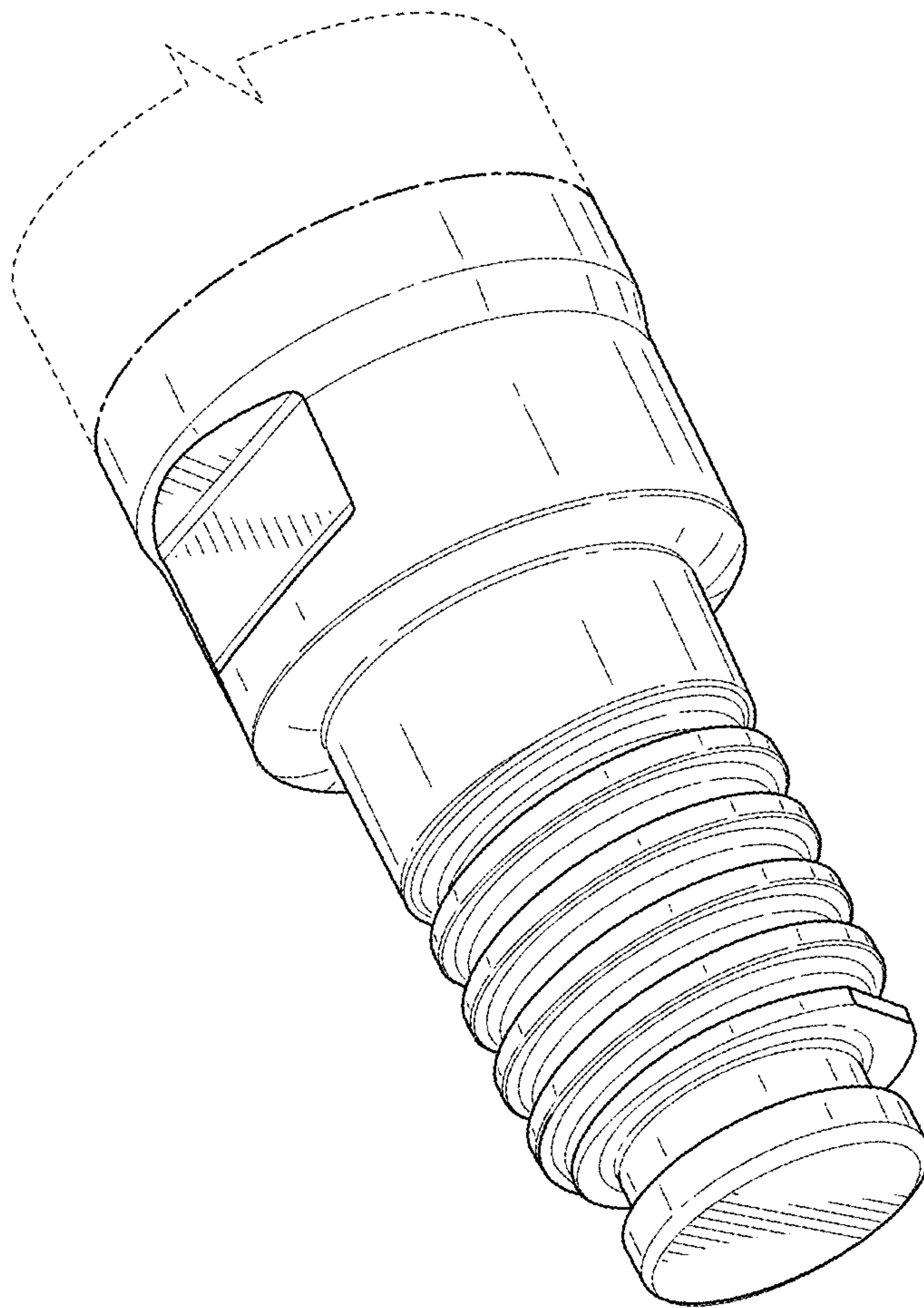
## U.S. PATENT DOCUMENTS

2008/0304923 A1\* 12/2008 Lehto ..... B23B 31/005  
407/100  
2009/0142150 A1\* 6/2009 Chu ..... B23C 5/10  
408/59  
2010/0084197 A1\* 4/2010 Voronin ..... B22F 7/062  
175/428  
2012/0009027 A1\* 1/2012 Sharivker ..... B23B 31/11  
407/42  
2014/0056658 A1\* 2/2014 Maeda ..... B23C 5/109  
407/40  
2014/0205389 A1\* 7/2014 Azegami ..... B23C 5/10  
407/46  
2014/0294528 A1\* 10/2014 Azegami ..... B23C 5/10  
408/200  
2014/0356081 A1\* 12/2014 Davis ..... B23C 5/10  
407/11  
2015/0030398 A1\* 1/2015 Frota De Souza ..... B23C 5/10  
407/33  
2015/0063928 A1\* 3/2015 Maeda ..... B23C 5/10  
407/42  
2015/0314379 A1\* 11/2015 Sharivker ..... B23C 5/10  
407/34  
2016/0031018 A1\* 2/2016 Ota ..... B23C 5/10  
407/53  
2016/0228955 A1\* 8/2016 Leirer ..... B23C 5/10  
2017/0028479 A1\* 2/2017 Haimer ..... B23B 31/1115  
2017/0043410 A1\* 2/2017 Hecht ..... B23B 31/1122

\* cited by examiner



**FIG. 1**



**FIG. 2**



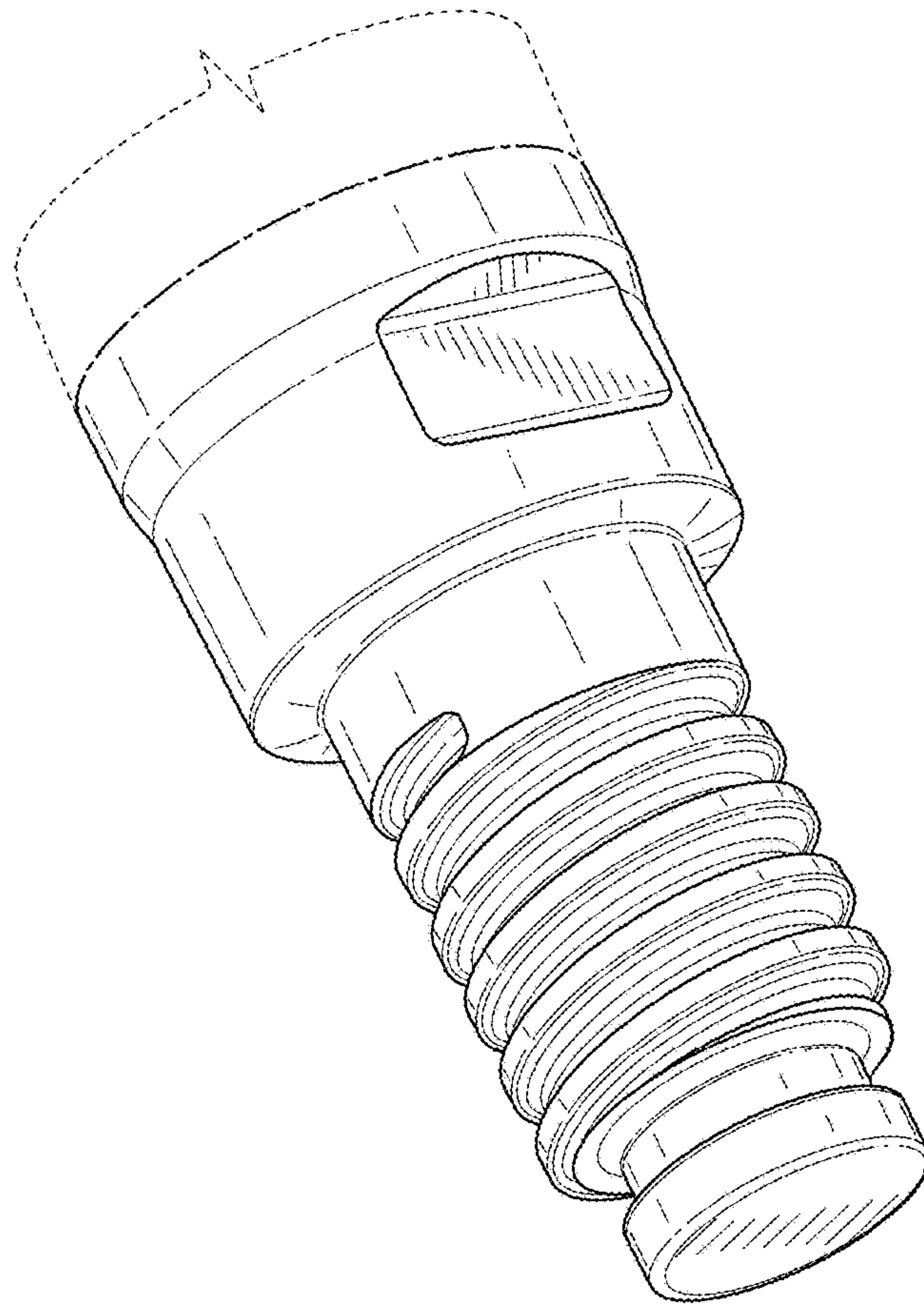


FIG. 3

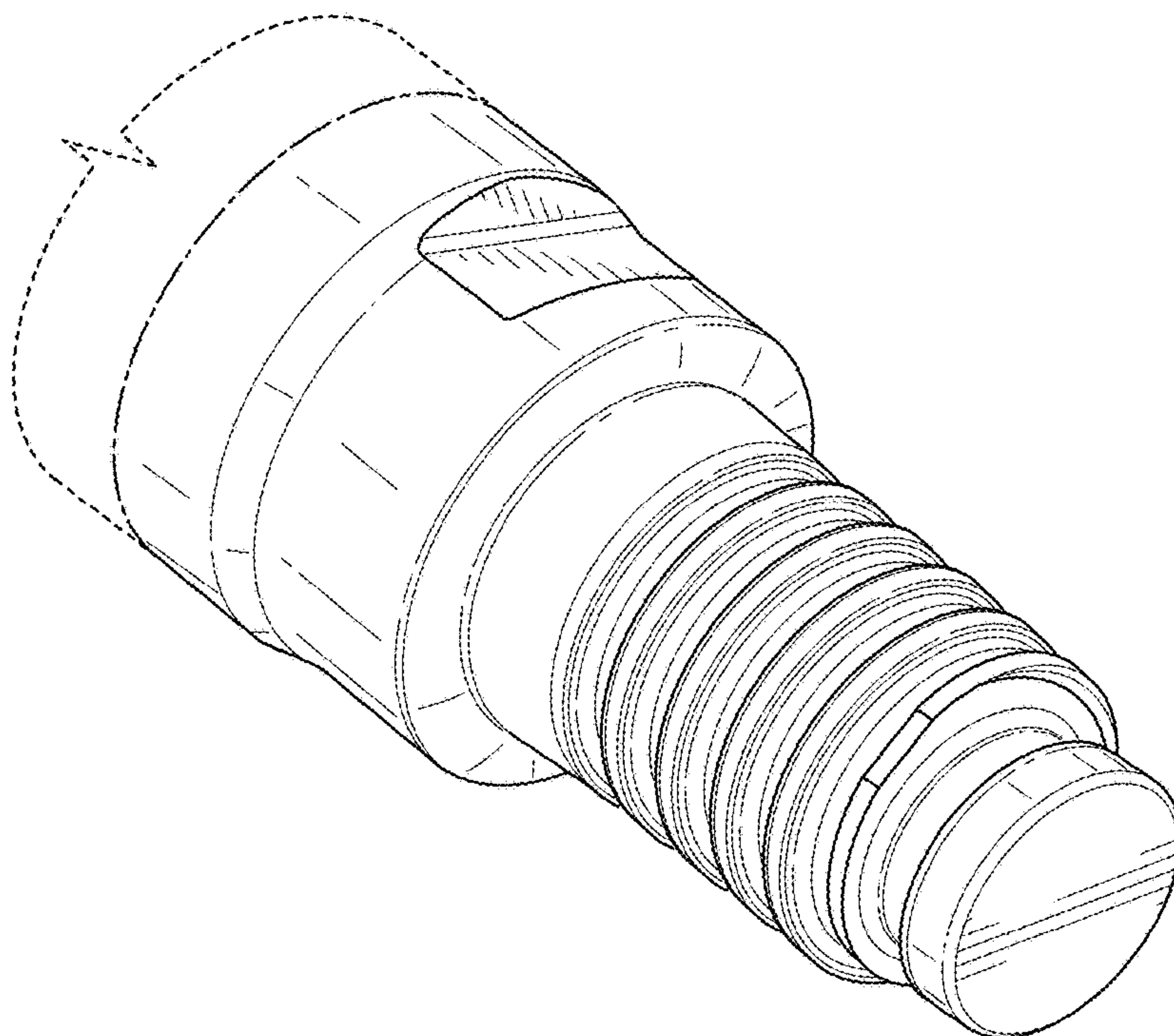
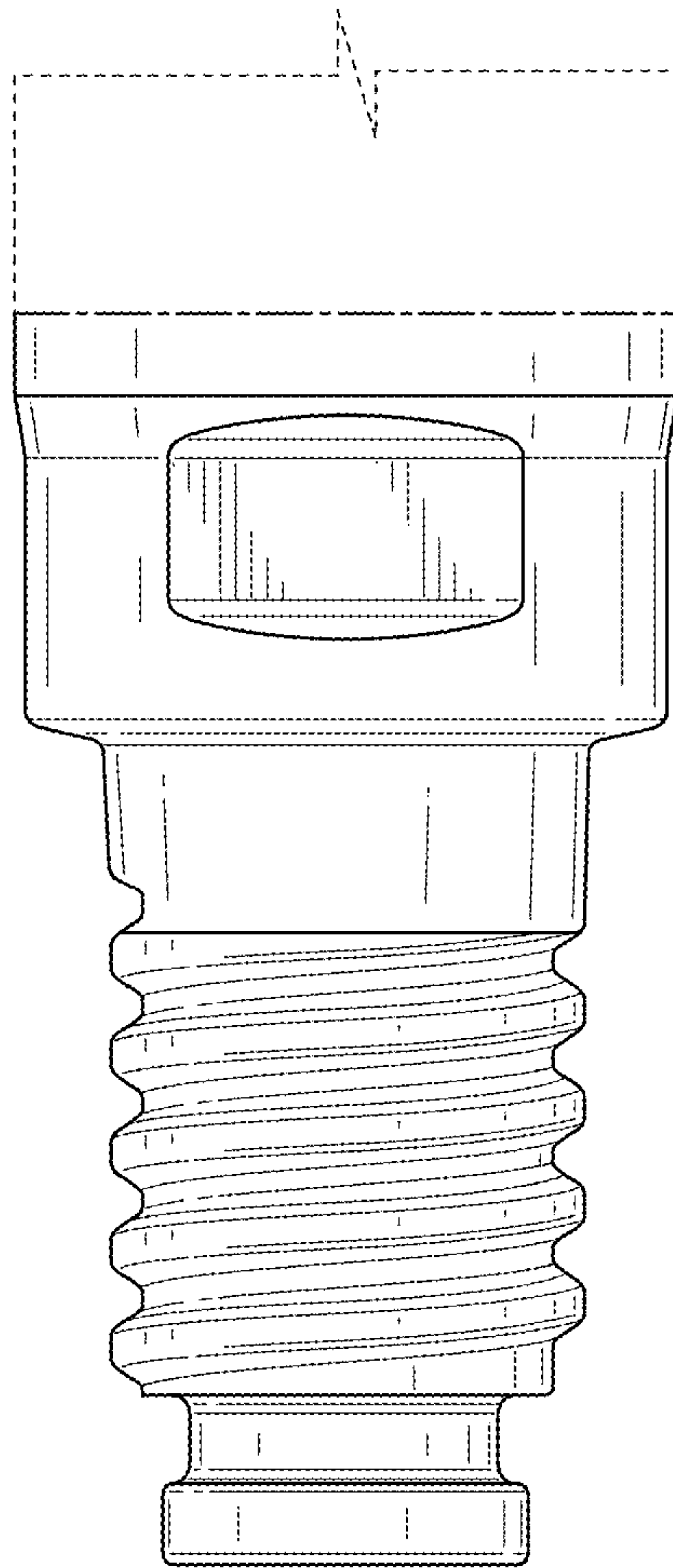
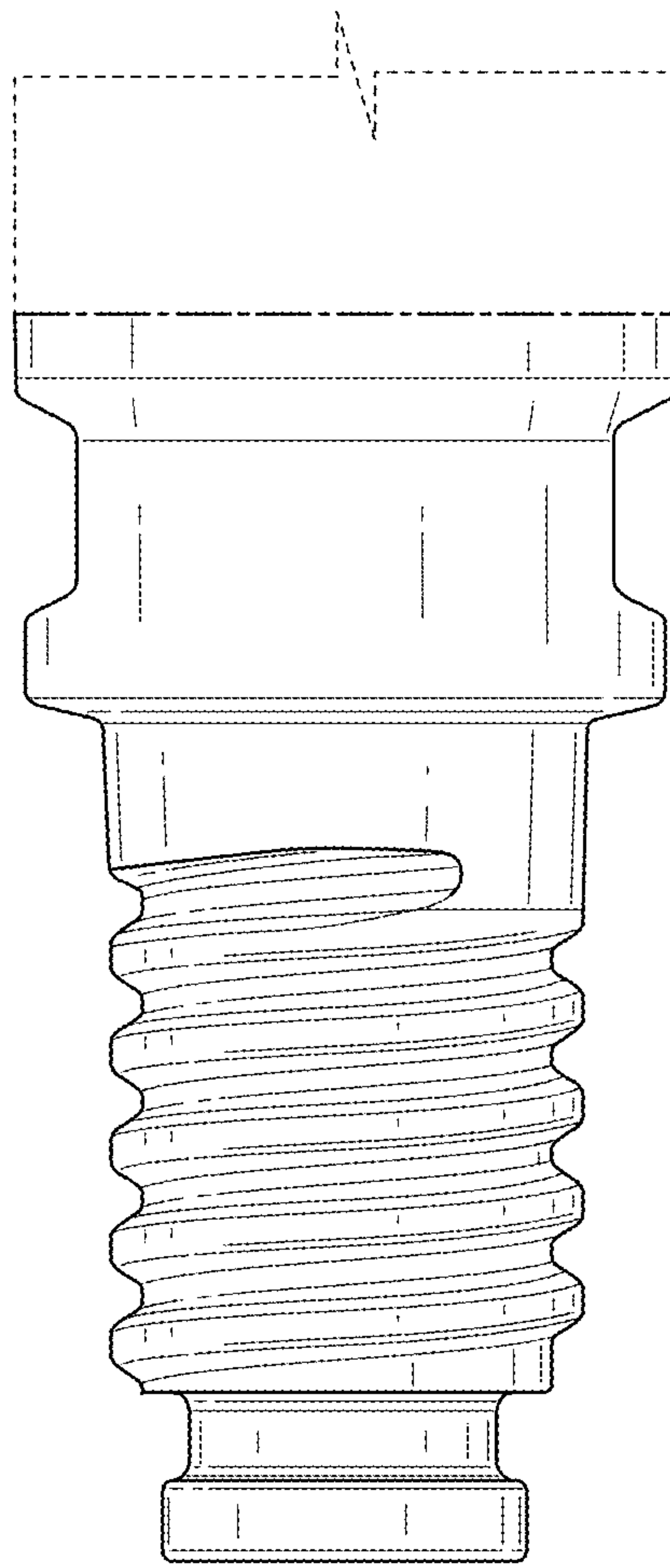


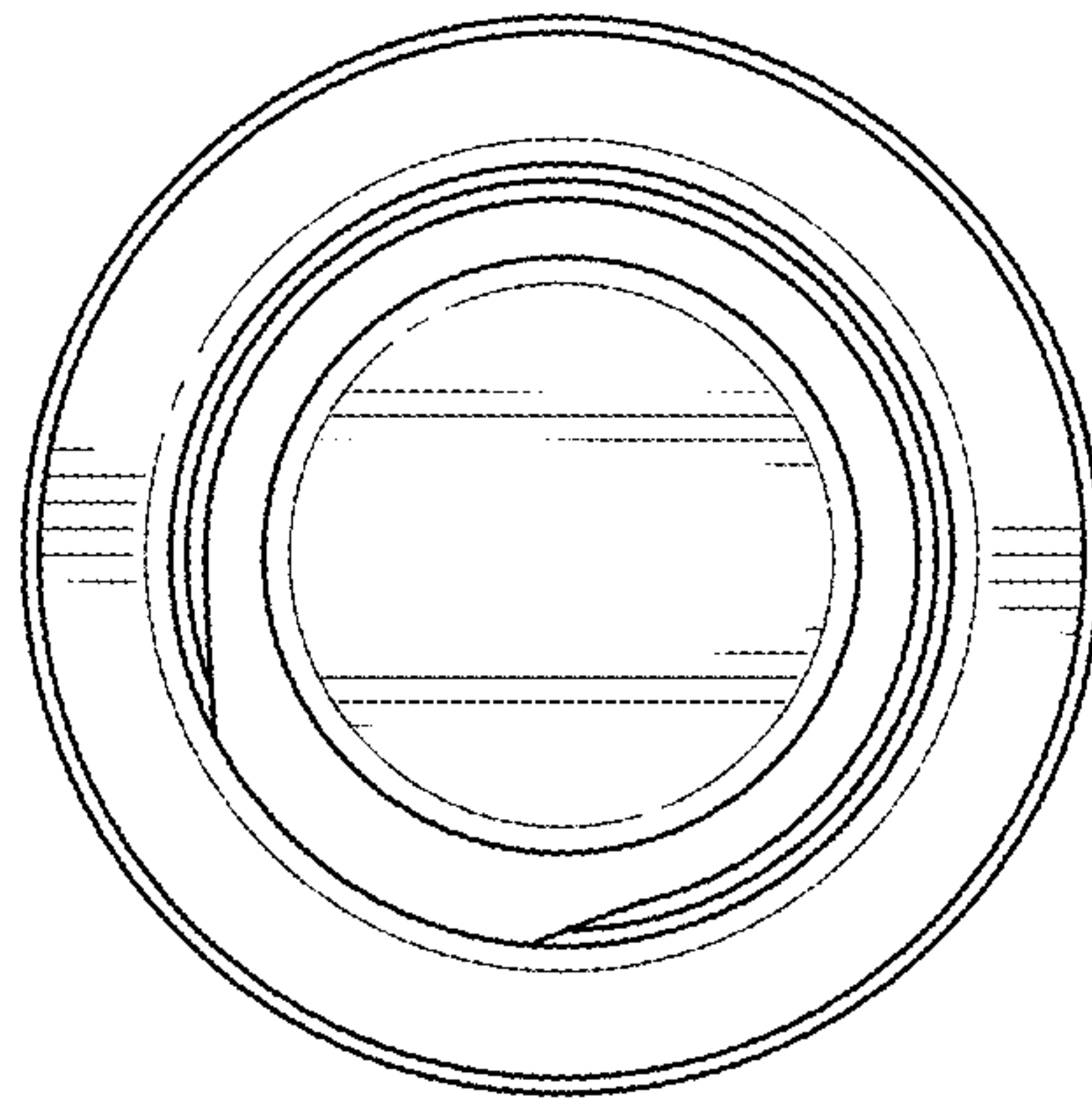
FIG. 4



**FIG. 5**



**FIG. 6**



**FIG. 7**