



US00D790610S

(12) **United States Design Patent**
Schindler

(10) **Patent No.:** **US D790,610 S**

(45) **Date of Patent:** **** Jun. 27, 2017**

(54) **MACHINE TOOL**

(71) Applicants: **DMG MORI SEIKI CO., LTD.**,
Yamatokoriyama-shi, Nara (JP); **DMG MORI SEIKI AKTIENGESELLSCHAFT**, Bielefeld (DE)

(72) Inventor: **Dominic Schindler**, Lauterach (AT)

(73) Assignees: **DMG MORI SEIKI CO., LTD.**,
Yamatokoriyama-shi (JP); **DMG MORI SEIKI AKTIENGESELLSCHAFT**,
Bielefeld (DE)

(**) Term: **14 Years**

(21) Appl. No.: **29/526,242**

(22) Filed: **May 7, 2015**

Related U.S. Application Data

(62) Division of application No. 29/484,884, filed on Mar. 13, 2014, now Pat. No. Des. 745,070.

(51) **LOC (10) Cl.** **15-09**

(52) **U.S. Cl.**
USPC **D15/122**

(58) **Field of Classification Search**
USPC D15/122, 127, 130
See application file for complete search history.

(56) **References Cited**

U.S. PATENT DOCUMENTS

D122,752 S	9/1940	Monroe
D265,912 S	8/1982	Frenkel
D319,834 S	9/1991	Rutschle
5,367,754 A	11/1994	Sheehan et al.
5,960,690 A	10/1999	Romi
D445,807 S	7/2001	Baulk

D489,077 S	4/2004	Bloch	
D548,755 S	8/2007	Takeshima et al.	
D559,871 S	1/2008	Kittaka et al.	
D578,144 S	10/2008	Arisue et al.	
D638,449 S	5/2011	Schindler et al.	
D651,620 S	1/2012	Schindler et al.	
D654,099 S	2/2012	Schindler et al.	
D654,518 S	2/2012	Miyake et al.	
D658,686 S	5/2012	Mueller	
D671,969 S	12/2012	Yang et al.	
D676,882 S	2/2013	Mueller	
D680,563 S	4/2013	Yang et al.	
D694,787 S	12/2013	Mueller	
D696,315 S	12/2013	Schmid	
D700,638 S	3/2014	Shou et al.	
D711,947 S	8/2014	Son et al.	
D711,948 S	8/2014	Son et al.	
D718,795 S	12/2014	Schonherr et al.	
D727,379 S	* 4/2015	Mueller	D15/122
D734,787 S	* 7/2015	Schonherr	D15/122
D745,070 S	* 12/2015	Schindler	D15/122

(Continued)

Primary Examiner — Patricia Palasik

(74) Attorney, Agent, or Firm — Oliff PLC

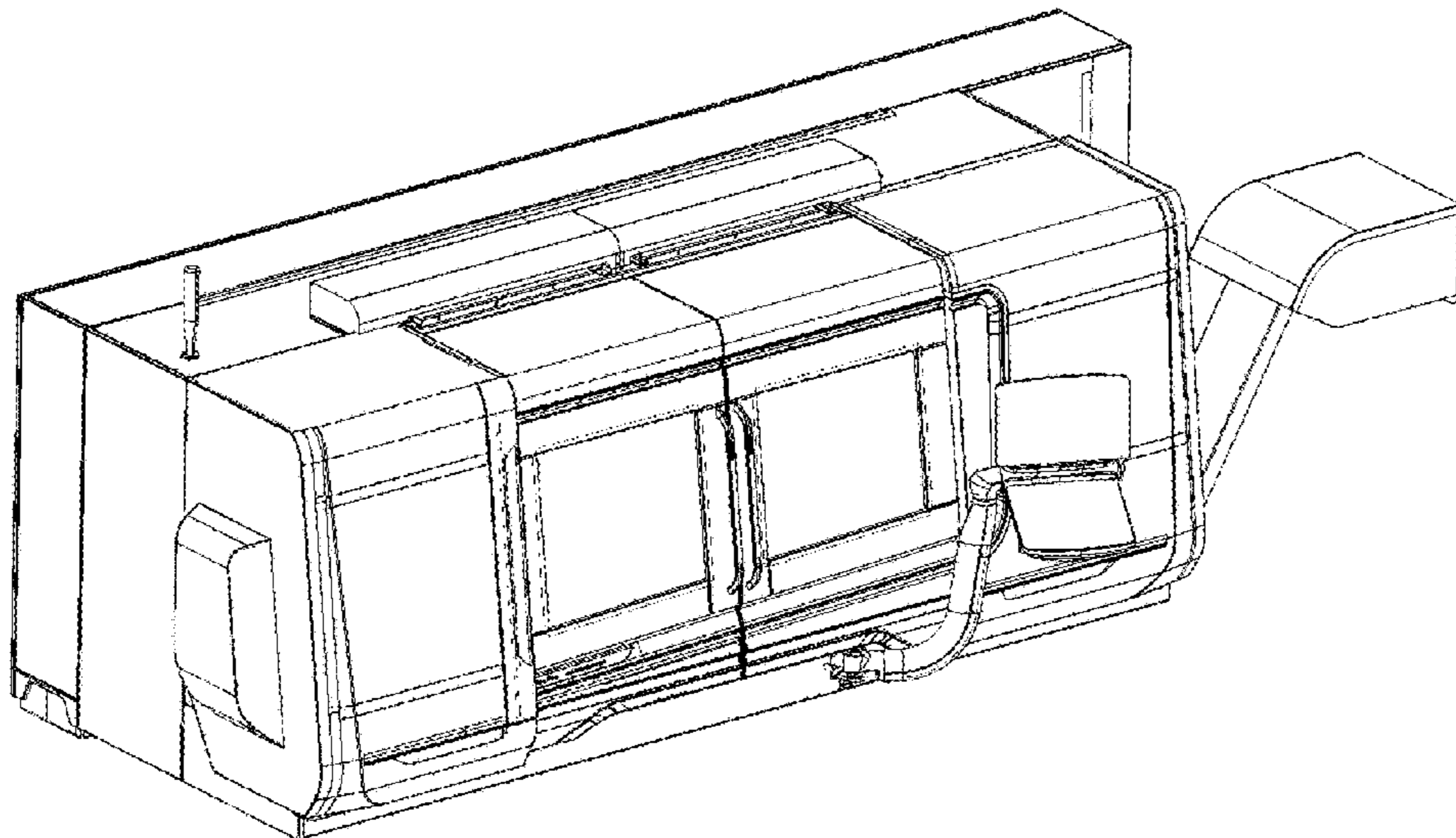
(57) **CLAIM**

The ornamental design for a machine tool, as shown and described.

DESCRIPTION

FIG. 1 is a front view of the machine tool; FIG. 2 is a rear view thereof; FIG. 3 is a left-side view thereof; FIG. 4 is a right-side view thereof; FIG. 5 is a bottom view thereof; FIG. 6 is a top view thereof; and, FIG. 7 is a perspective view thereof. The broken lines depict environmental subject matter only and form no part of the claimed design.

1 Claim, 7 Drawing Sheets



(56)

References Cited

U.S. PATENT DOCUMENTS

D759,736 S *	6/2016	Huang	D15/122
2002/0170689 A1	11/2002	Yamagami et al.	
2013/0061726 A1	3/2013	Katsu et al.	
2014/0069609 A1	3/2014	Caihuzac	
2014/0174774 A1	6/2014	Okamoto et al.	
2014/0319746 A1	10/2014	Kozawa	
2014/0341669 A1	11/2014	Fleischer et al.	
2014/0377028 A1	12/2014	Inaguchi	

* cited by examiner

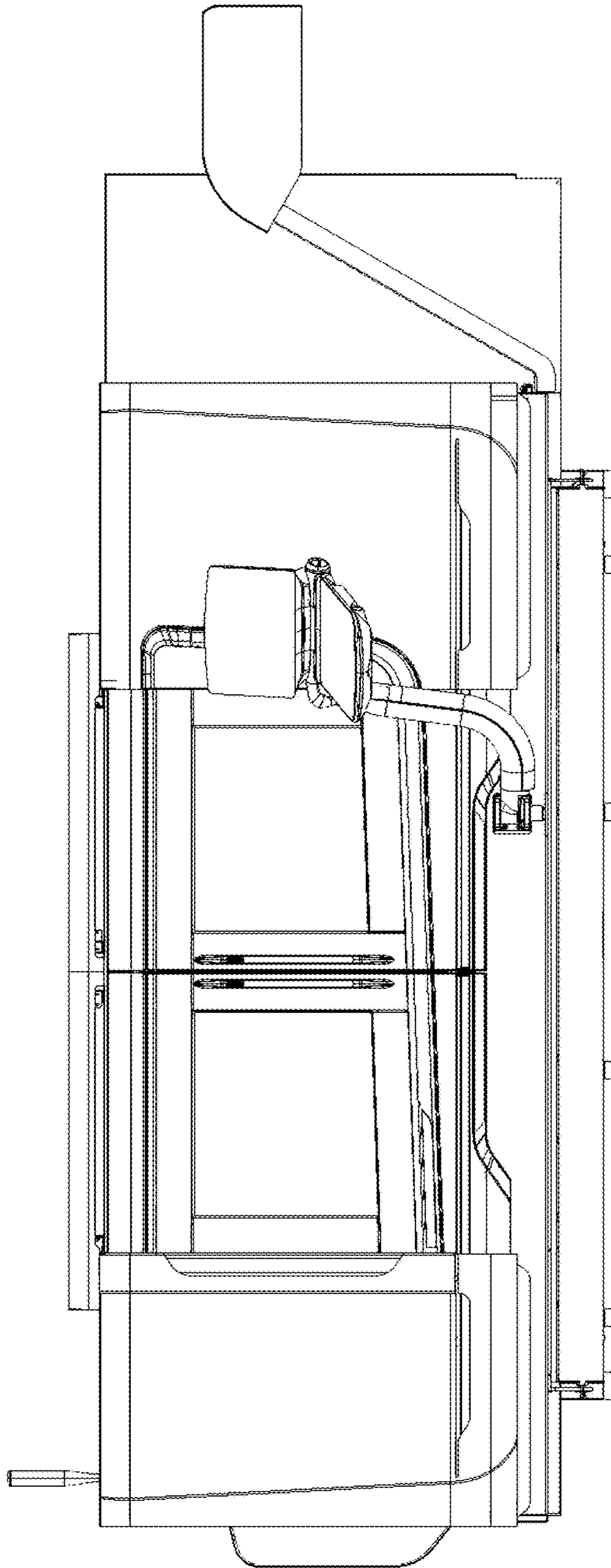


Fig. 1

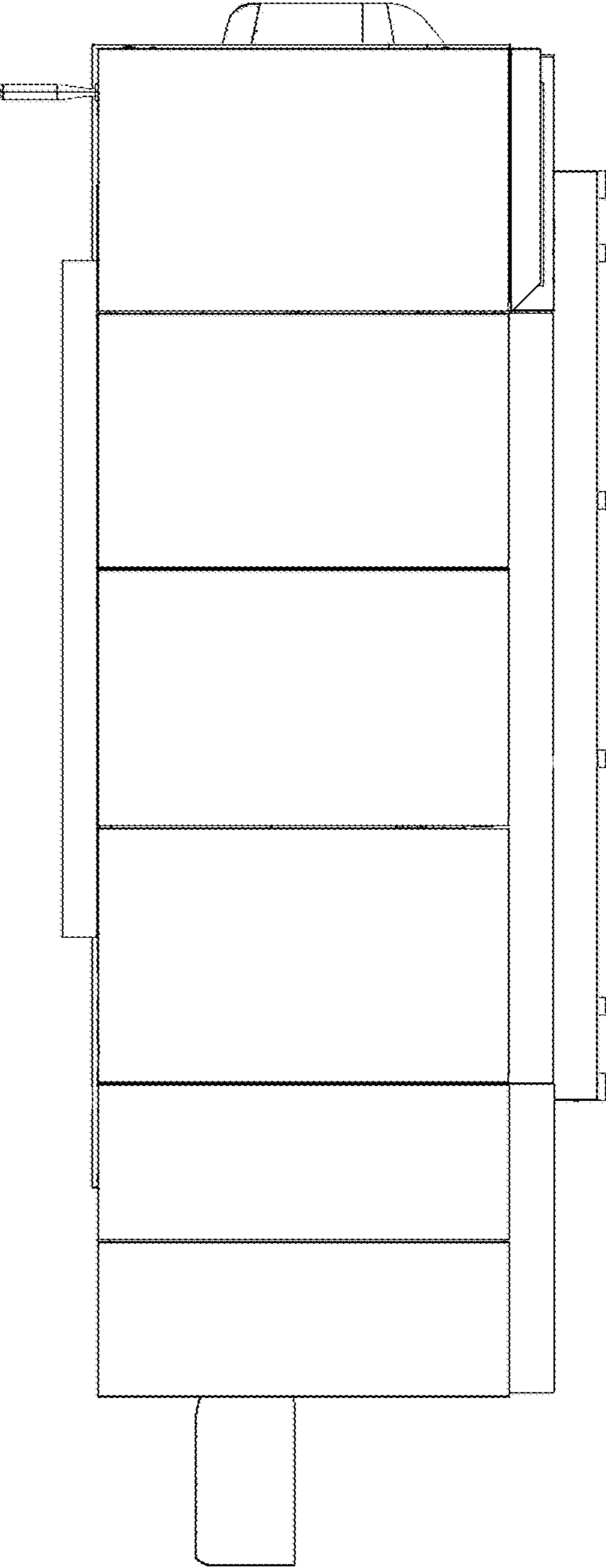


Fig. 2

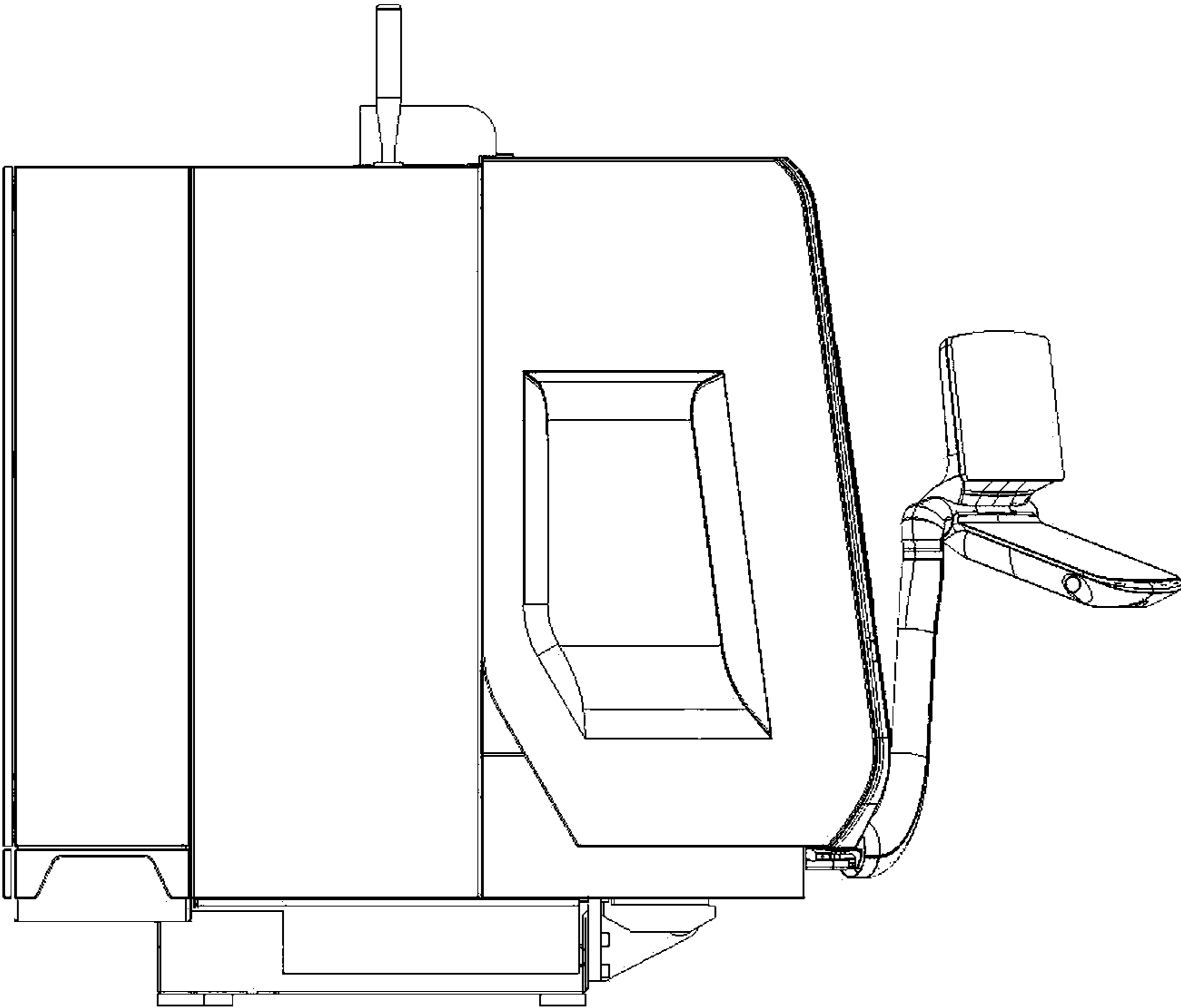


Fig. 3

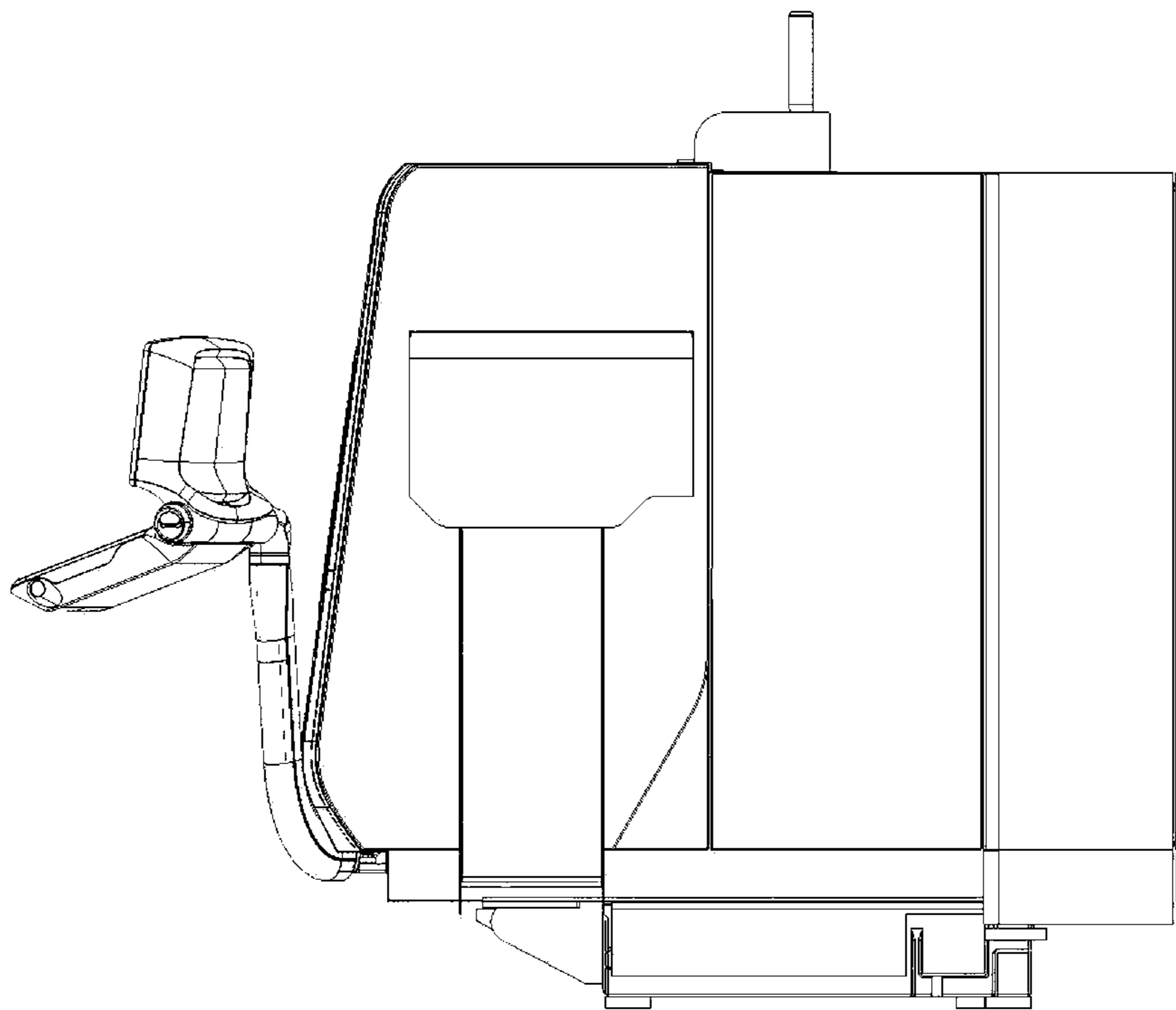


Fig. 4

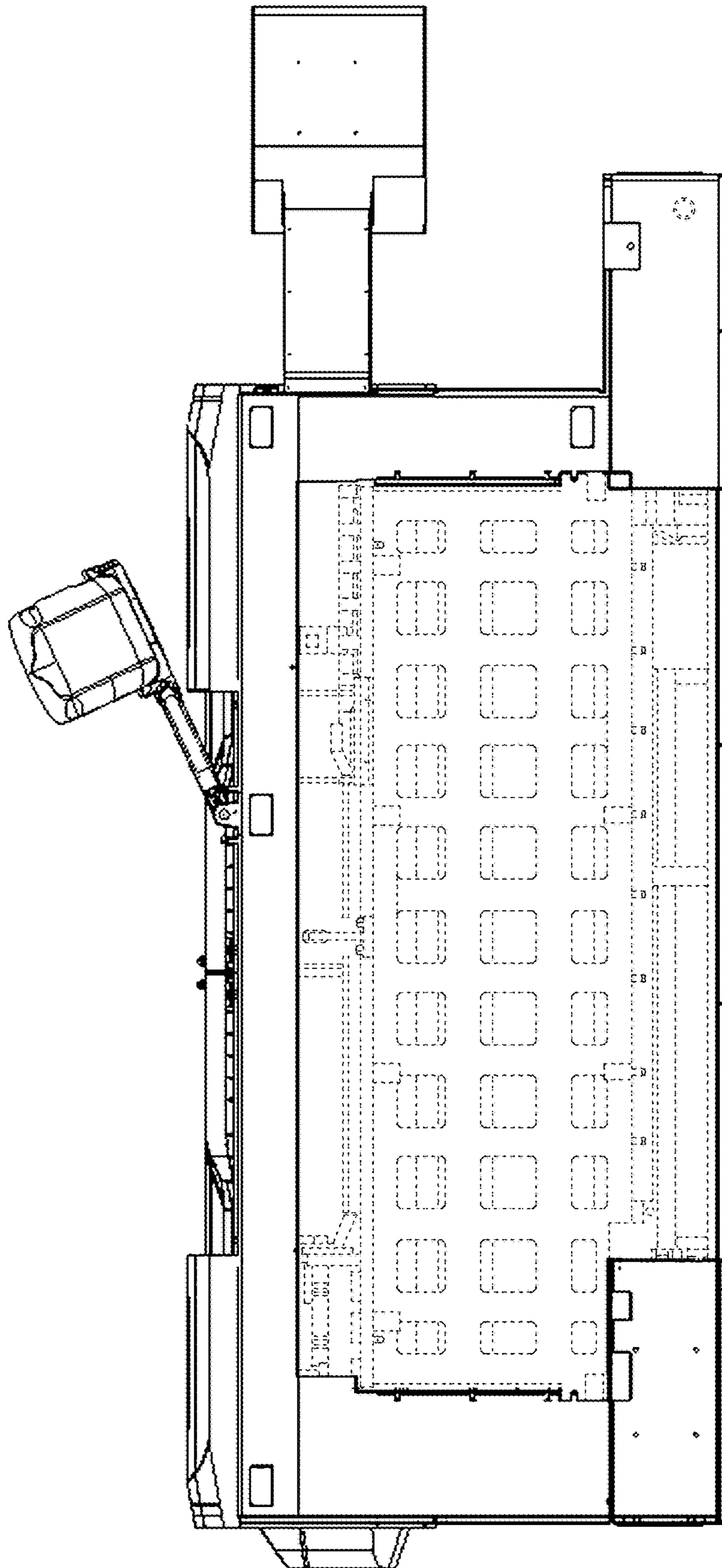


Fig. 5

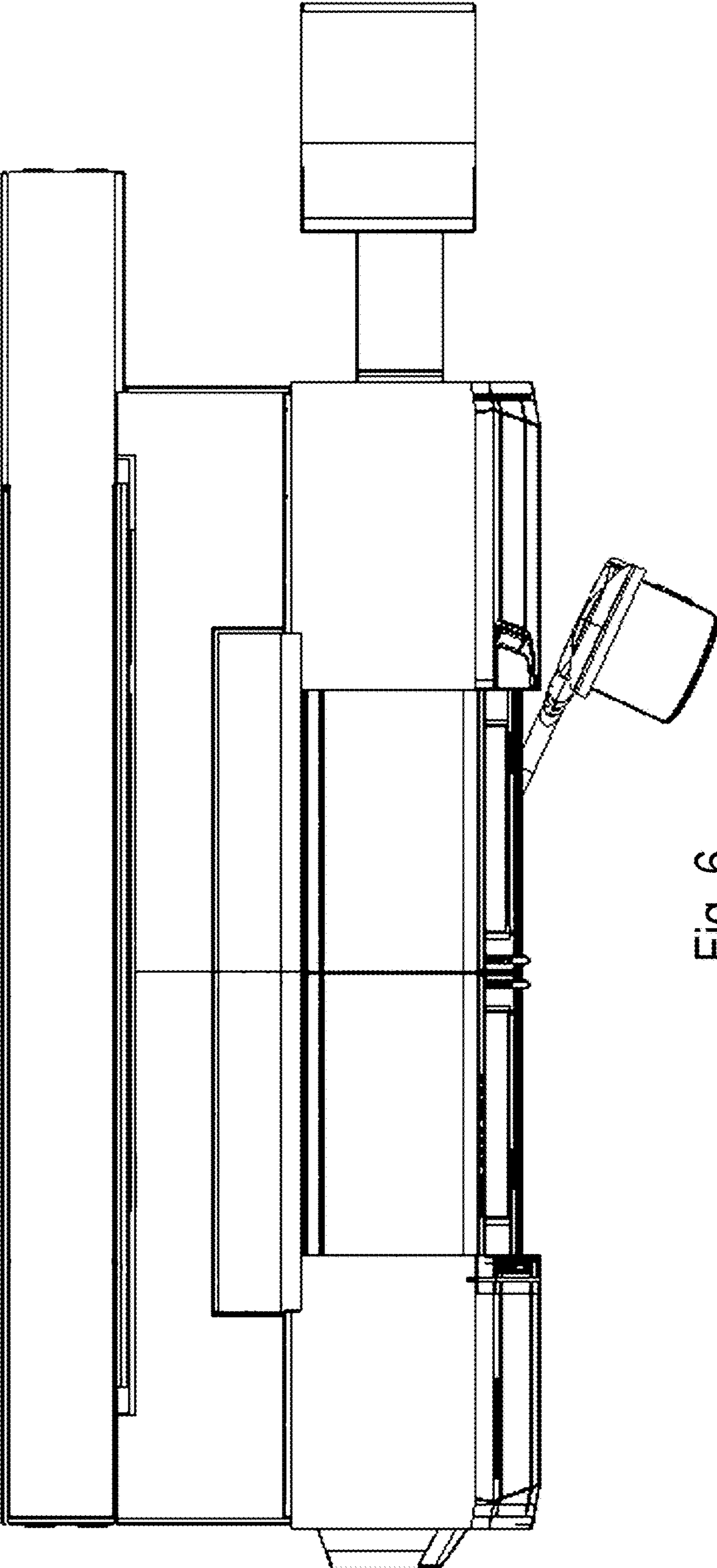


Fig. 6

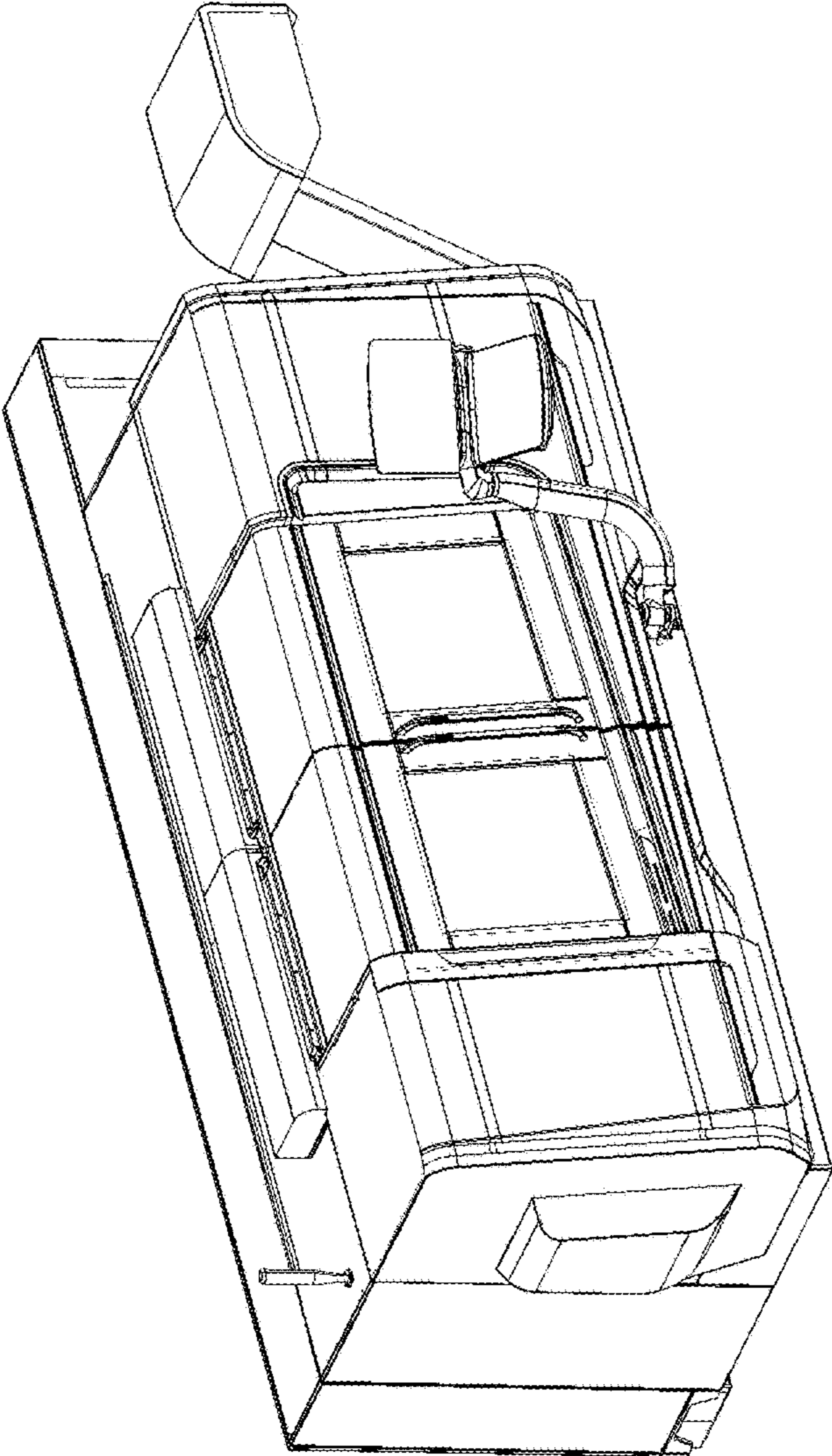


Fig. 7