



US00D790609S

(12) **United States Design Patent**
Kim et al.

(10) **Patent No.:** **US D790,609 S**
(45) **Date of Patent:** **** Jun. 27, 2017**

(54) **STORAGE CASE FOR REFRIGERATOR**

2400/36; F25D 2400/361; F25D 25/00;
F25D 2600/00; F25D 2600/02

(71) Applicant: **Samsung Electronics Co., Ltd.**,
Suwon-si, Gyeonggi-do (KR)

See application file for complete search history.

(72) Inventors: **Aeryun Kim**, Ansan-si (KR); **Seon-Ju Lee**, Seoul (KR); **Jaemin Lee**, Incheon (KR); **Junhyeok Choi**, Seongnam-si (KR)

(56) **References Cited**

U.S. PATENT DOCUMENTS

D229,867	S	*	1/1974	Shanks	D15/89
D585,464	S	*	1/2009	Miyabayashi	D15/79
D589,989	S	*	4/2009	Crookshanks	D15/89
D591,313	S	*	4/2009	Baacke	D15/89
D677,289	S	*	3/2013	Seo	D15/90
D709,531	S	*	7/2014	Park	D15/89
D747,750	S	*	1/2016	Kim	D15/89
D773,540	S	*	12/2016	Heck	D15/89

(73) Assignee: **SAMSUNG ELECTRONICS CO., LTD.**, Gyeonggi-Do (KR)

(**) Term: **15 Years**

FOREIGN PATENT DOCUMENTS

(21) Appl. No.: **29/559,200**

CN	301914662	S	5/2012
EM	001860461-0005		5/2011
EM	002374181-0008		12/2013

(22) Filed: **Mar. 25, 2016**

* cited by examiner

(30) **Foreign Application Priority Data**

Oct. 30, 2015 (KR) 30-2015-0054869

(51) **LOC (10) Cl.** **15-07**

Primary Examiner — Ian Simmons

(52) **U.S. Cl.**
USPC **D15/89**

Assistant Examiner — Khawaja Anwar

(58) **Field of Classification Search**

USPC D15/79-91
CPC F25D 25/02; F25D 25/024; F25D 23/00;
F25D 2325/022; F25D 25/04; F25D
23/067; F25D 23/04; F25D 11/00; F25D
23/025; F25D 25/025; F25D 27/00; F25D
2325/021; F25D 2400/22; F25D 11/02;
F25D 23/12; F25D 27/005; F25D
2331/80; F25D 17/042; F25D 2331/805;
F25D 23/028; F25D 2400/40; F25D
2500/02; F25D 2500/06; F25D 25/022;
F25D 25/028; F25D 2201/00; F25D
2317/041; F25D 2317/0411; F25D
2317/0416; F25D 2323/122; F25D
2325/00; F25D 2327/00; F25D 2327/001;
F25D 2331/809; F25D 2331/81; F25D
23/062; F25D 23/065; F25D 23/069;
F25D 23/087; F25D 23/126; F25D

(74) *Attorney, Agent, or Firm* — Cantor Colburn LLP

(57) **CLAIM**

The ornamental design for a storage case for refrigerator, as shown and described.

DESCRIPTION

FIG. 1 is a front perspective view of a storage case for refrigerator, showing our new design;
FIG. 2 is a front view thereof;
FIG. 3 is a rear view thereof;
FIG. 4 is a left side view thereof;
FIG. 5 is a right side view thereof;
FIG. 6 is a top view thereof; and,
FIG. 7 is a bottom view thereof.

The broken lines illustrating portions of a storage case for refrigerator form no part of the claimed design.

1 Claim, 7 Drawing Sheets

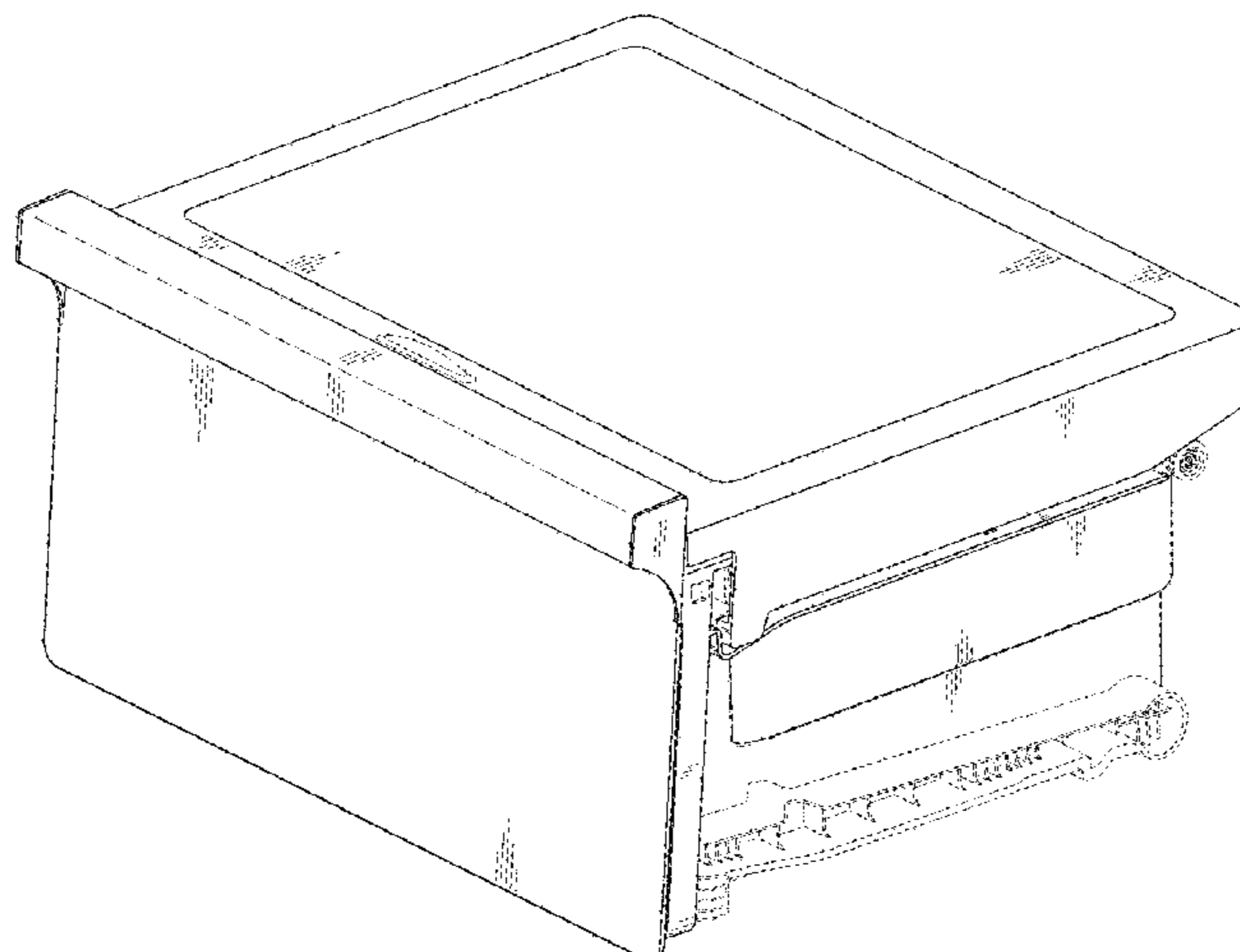


FIG. 1

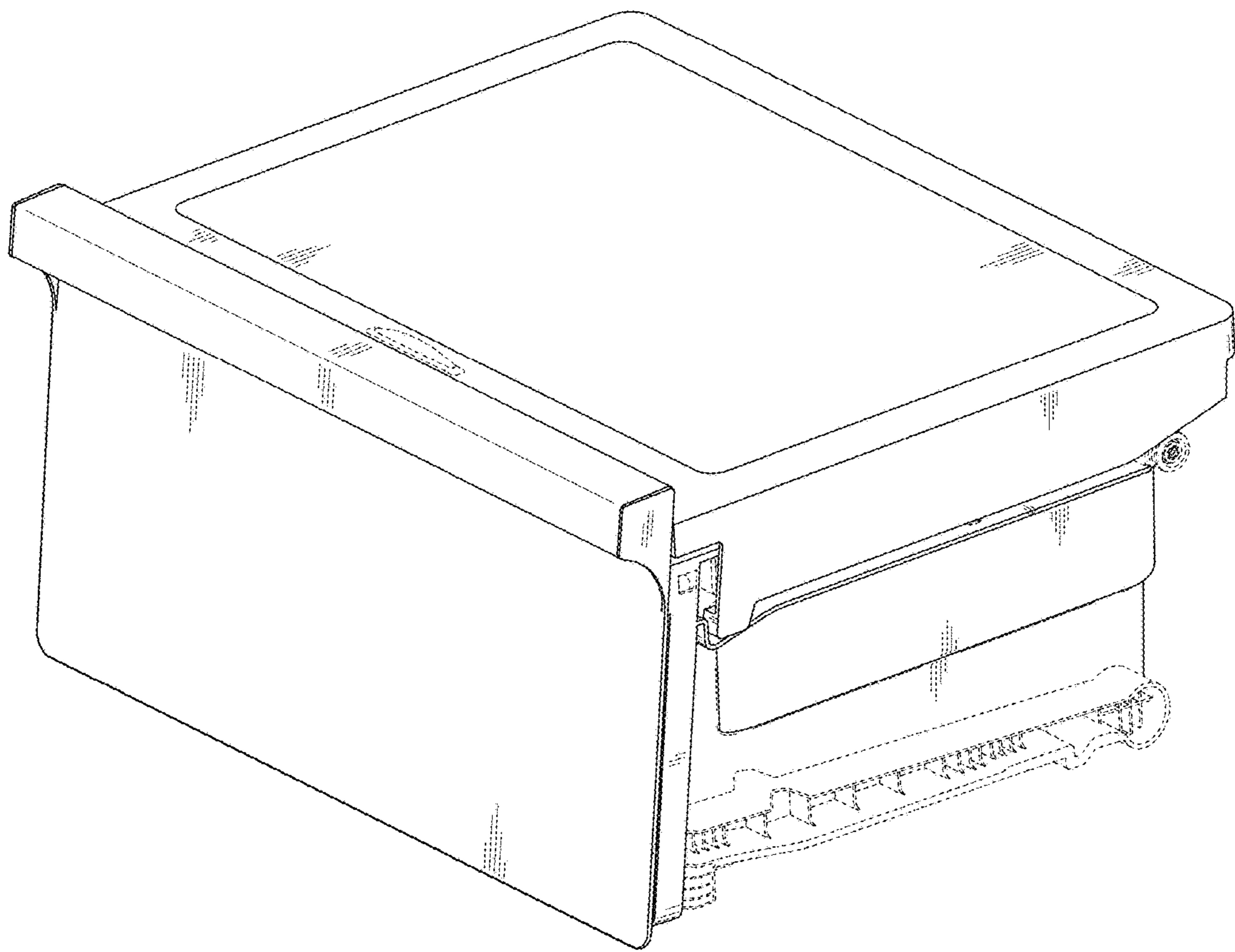


FIG. 2

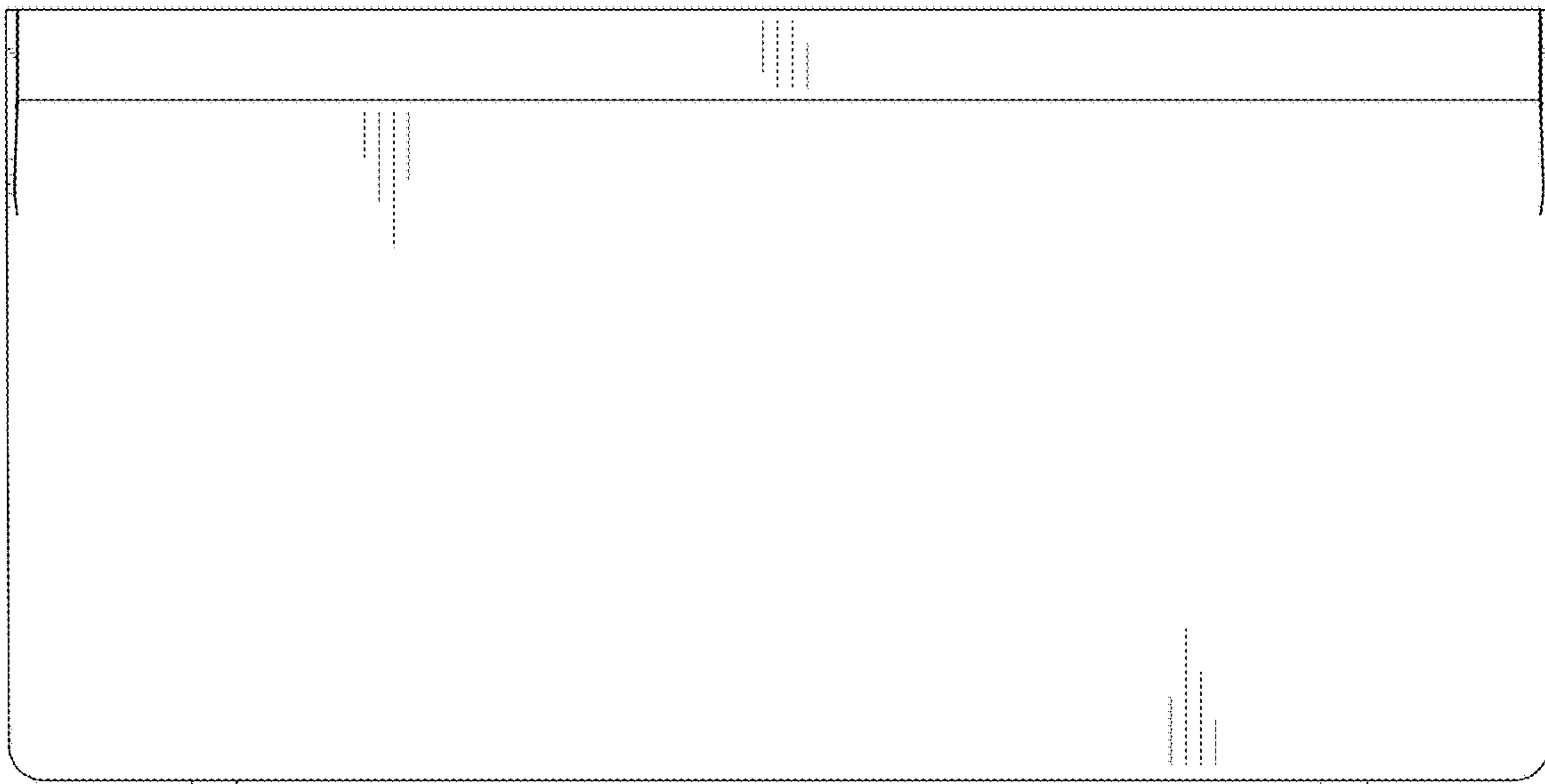


FIG. 3

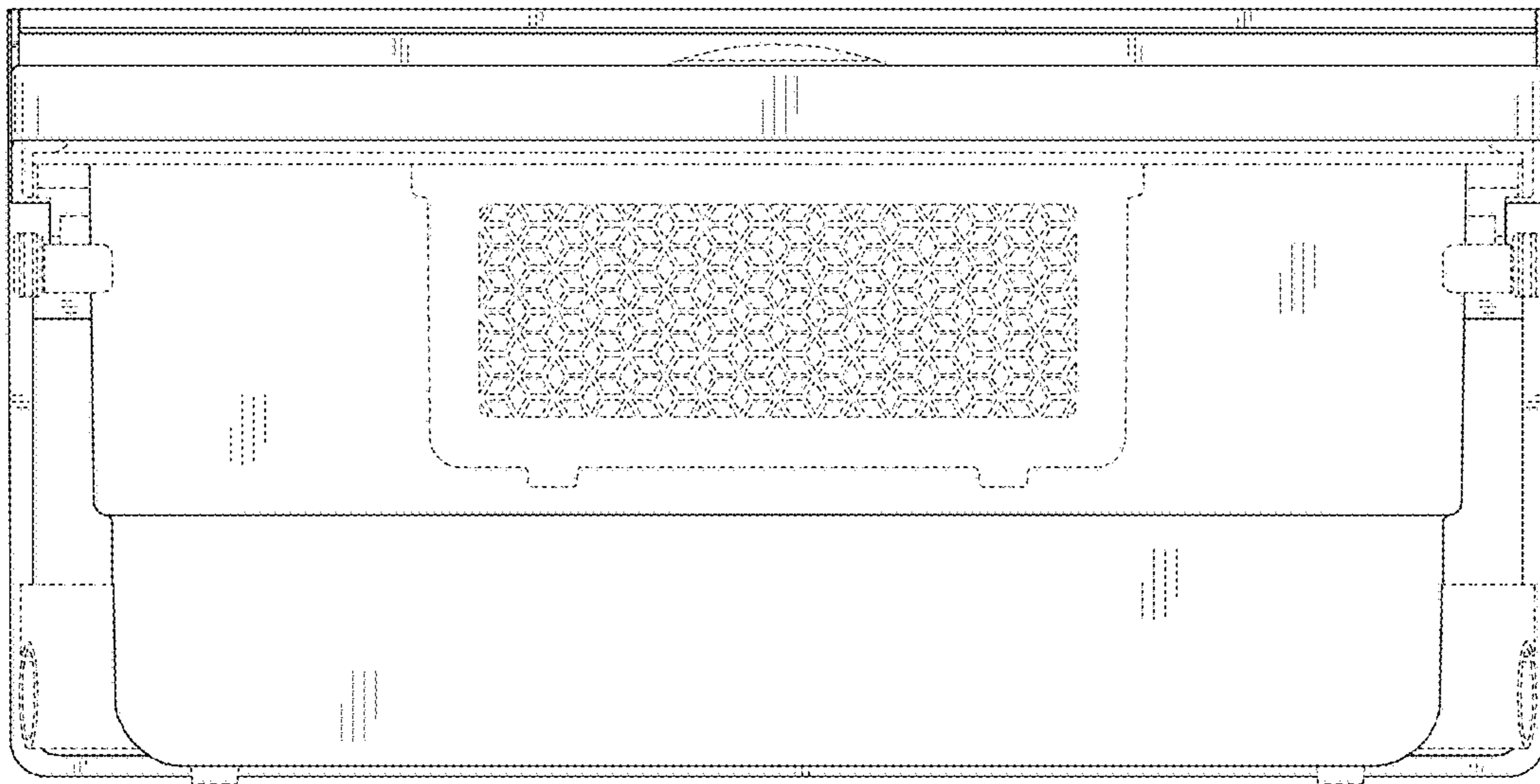


FIG. 4

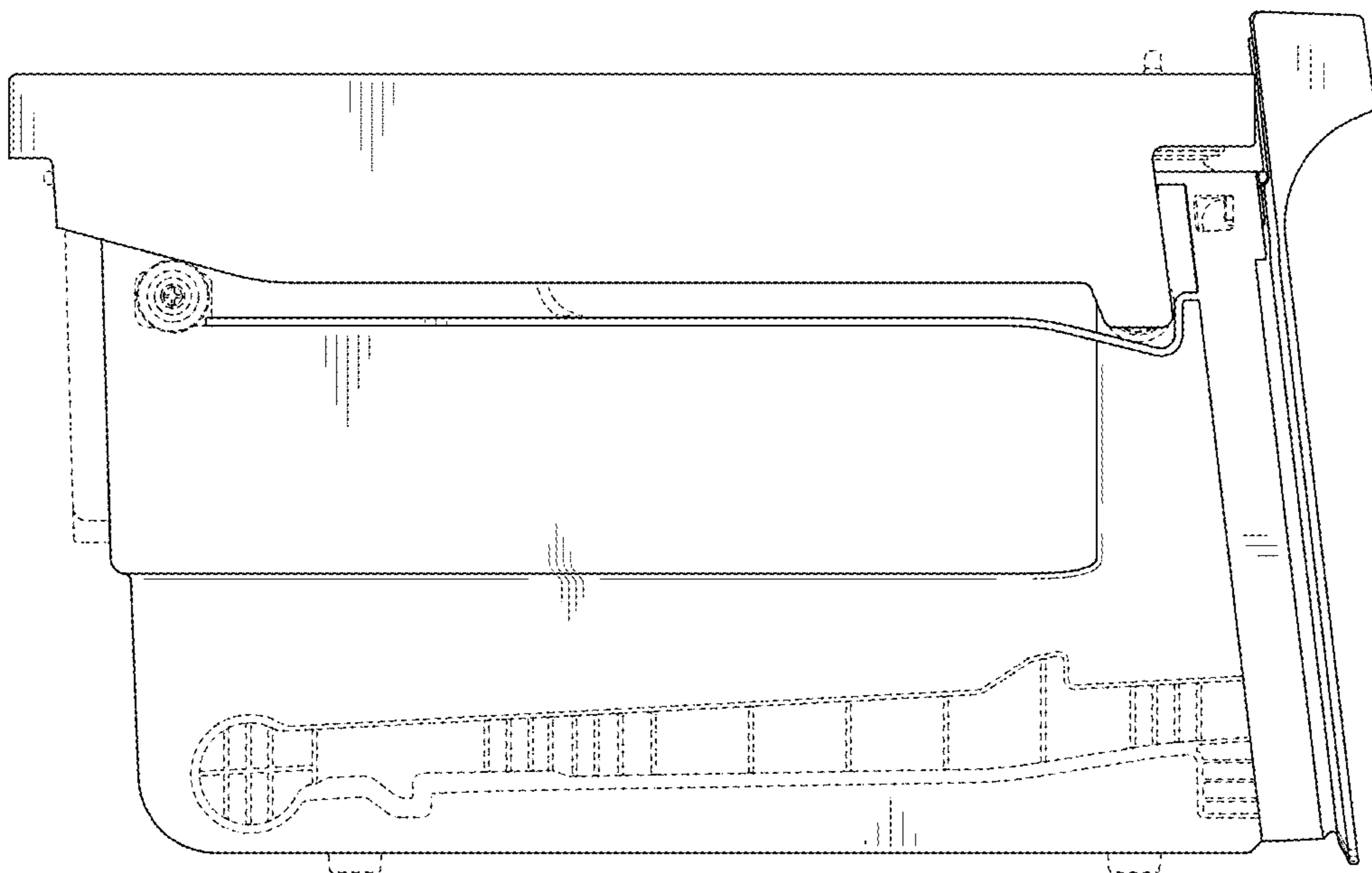


FIG. 5

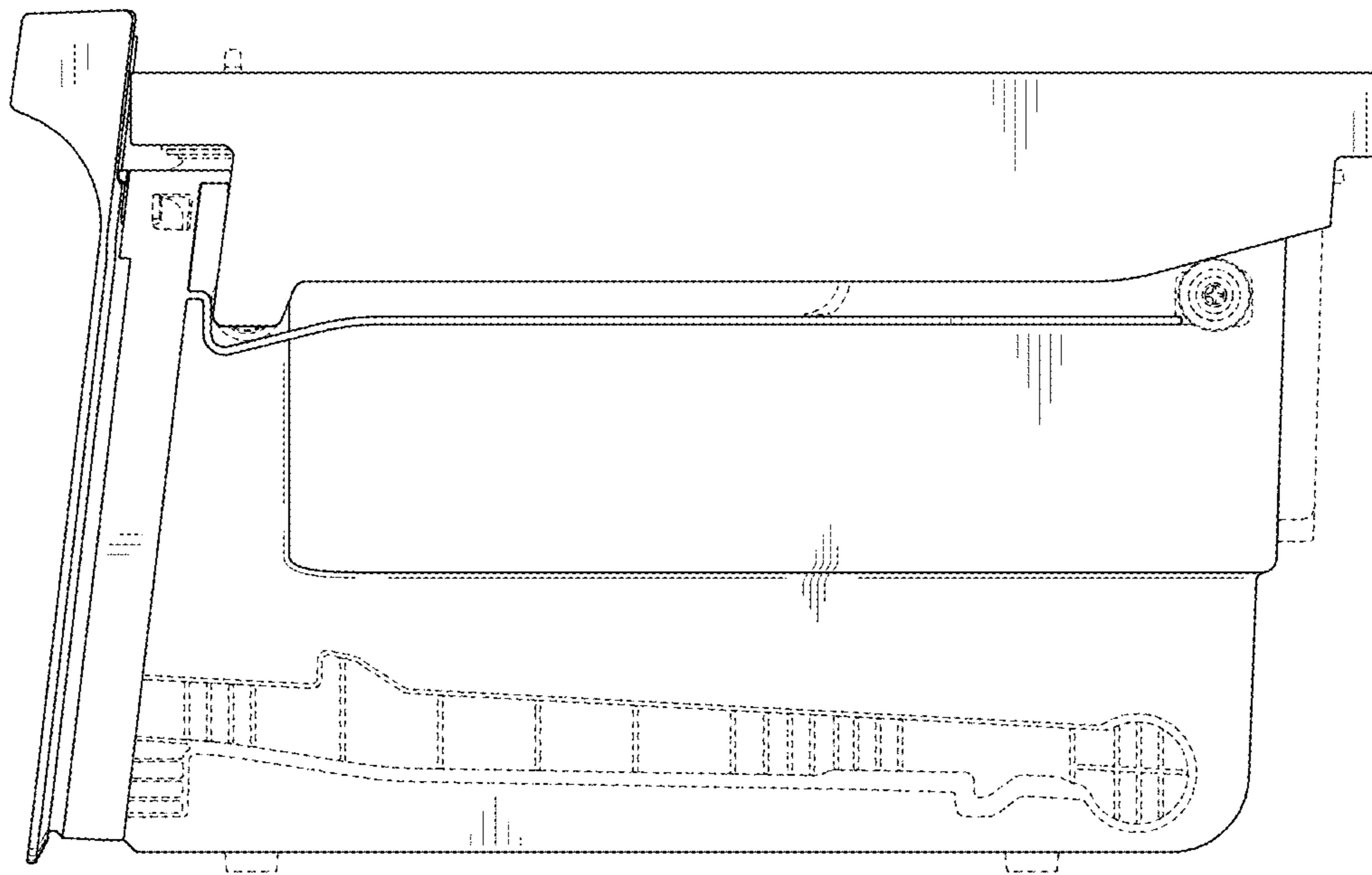


FIG. 6

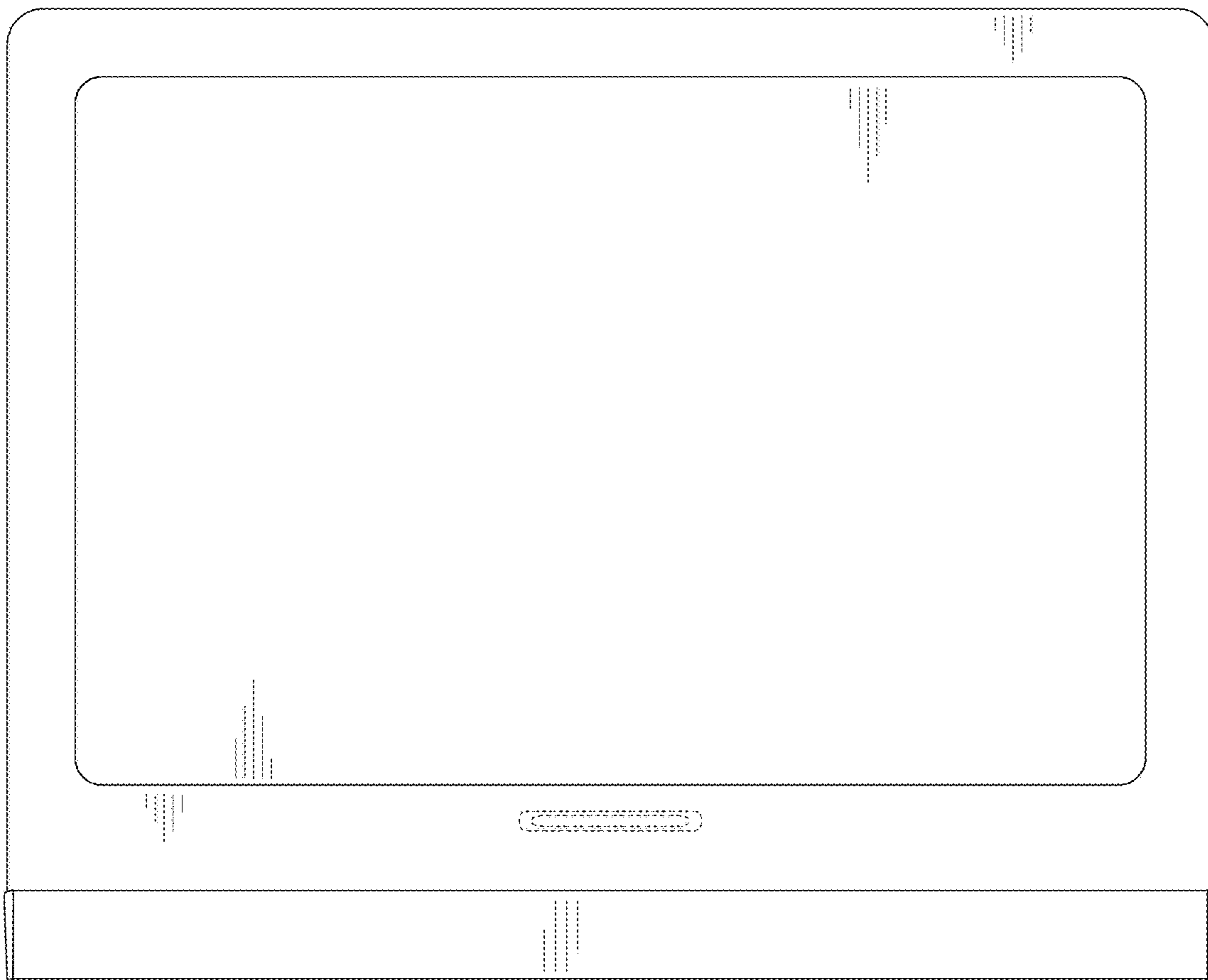


FIG. 7

