



US00D790608S

(12) **United States Design Patent** (10) **Patent No.:** **US D790,608 S**
Kunz (45) **Date of Patent:** **** Jun. 27, 2017**

(54) **LIP FOR GROUND ENGAGING MACHINE IMPLEMENT**

D249,088 S 8/1978 Dahlberg
4,476,641 A 10/1984 Ballinger
4,481,728 A 11/1984 Mulder et al.
4,570,365 A 2/1986 Bierwith
4,980,980 A 1/1991 Schadov et al.
5,084,990 A 2/1992 Briscoe
5,088,214 A 2/1992 Jones
5,400,530 A 3/1995 Schmidt

(71) Applicant: **Caterpillar Inc.**, Peoria, IL (US)

(72) Inventor: **Phillip J. Kunz**, Morton, IL (US)

(73) Assignee: **Caterpillar Inc.**, Peoria, IL (US)

(**) Term: **15 Years**

FOREIGN PATENT DOCUMENTS

(21) Appl. No.: **29/573,738**

JP 2004 183396 A 7/2004
WO 2007/016719 A1 2/2007
WO 2013/067585 A1 5/2013

(22) Filed: **Aug. 9, 2016**

Related U.S. Application Data

OTHER PUBLICATIONS

(63) Continuation of application No. 29/524,183, filed on Apr. 17, 2015, now Pat. No. Des. 769,946.

U.S. Appl. No. 29/524,172, filed Apr. 17, 2015. (Unpublished).

(51) **LOC (10) Cl.** **15-03**

(Continued)

(52) **U.S. Cl.**

Primary Examiner — Mark Goodwin

USPC **D15/32**; D15/29

(74) *Attorney, Agent, or Firm* — Saidman Design Law Group

(58) **Field of Classification Search**

USPC D15/28, 29, 32; 403/378, 379.5, 379; 37/466, 444, 448, 450-459, 446, 447, 37/449, 195; 172/701.3, 772, 772.5, 753, 172/713

(57) **CLAIM**

CPC ... E02F 3/36; E02F 3/8152; E02F 3/40; E02F 3/401; E02F 3/60; E02F 3/76; E02F 3/815; E02F 9/2841; E02F 9/2825; E02F 9/2858; E02F 9/2883; E02F 9/2833; E02F 9/2808; E02F 9/2816; E02F 9/00; E02F 9/285; Y10T 16/05; Y10T 403/7079; Y10S 37/903

The ornamental design for a lip for ground engaging machine implement, as shown and described.

See application file for complete search history.

DESCRIPTION

(56) **References Cited**

U.S. PATENT DOCUMENTS

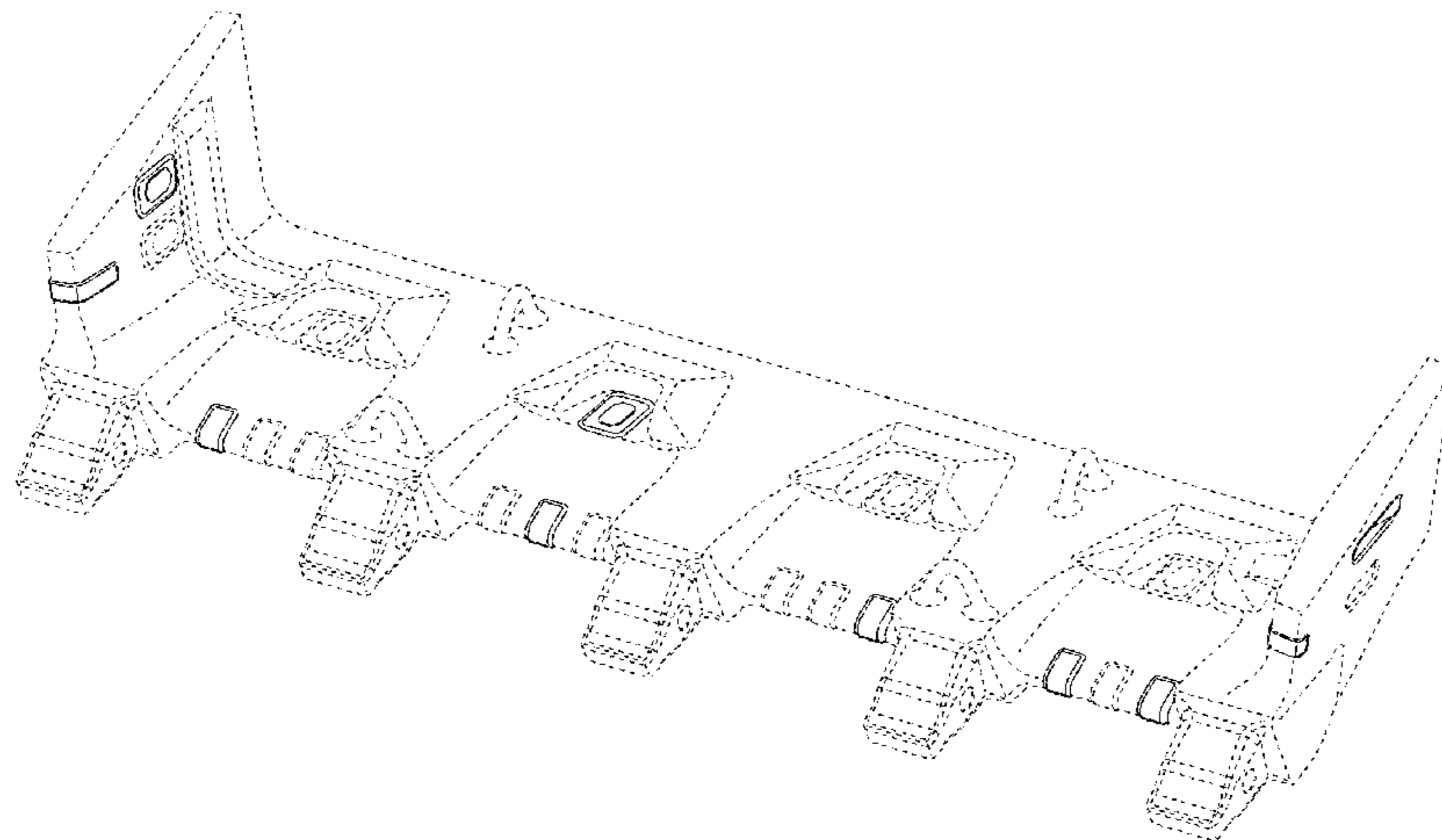
2,256,488 A 9/1941 Murtaugh
3,079,710 A 3/1963 Larsen et al.
3,664,044 A 5/1972 Hahn
4,047,312 A 9/1977 Stepe
D246,176 S 10/1977 Dahlberg et al.

FIG. 1 is a front perspective view of a lip for ground engaging machine implement showing my new design; FIG. 2 is a front view thereof; FIG. 3 is a rear view thereof; FIG. 4 is a left side view thereof; FIG. 5 is a right side view thereof; FIG. 6 is a top view thereof; and, FIG. 7 is a bottom view thereof.

The dashed broken lines illustrate structure or features that form no part of the claimed design.

The relatively thin shade lines represent contour, not surface ornamentation.

1 Claim, 5 Drawing Sheets



(56)

References Cited

U.S. PATENT DOCUMENTS

5,553,409 A 9/1996 Irving
 6,230,424 B1 5/2001 Renski et al.
 6,434,865 B2 8/2002 Renski et al.
 6,457,268 B1 10/2002 Perry et al.
 D478,599 S 8/2003 Zaayman et al.
 6,751,897 B2 6/2004 Bierwith
 6,952,892 B1 10/2005 Bierwith
 6,990,760 B1 1/2006 Zaayman et al.
 D537,846 S 3/2007 Block
 7,559,162 B2 7/2009 Bierwith
 D623,671 S 9/2010 Bolyard
 D631,490 S 1/2011 Drager et al.
 D678,361 S 3/2013 Attwood et al.
 8,572,870 B2 11/2013 Kudo et al.
 D705,275 S 5/2014 Haslett et al.
 D706,307 S 6/2014 Renski et al.
 D706,311 S 6/2014 Renski et al.
 D706,312 S 6/2014 Renski et al.
 D706,839 S 6/2014 Renski et al.
 D706,840 S 6/2014 Renski et al.
 D707,263 S 6/2014 Renski et al.
 D707,264 S 6/2014 Renski et al.
 8,959,806 B2 2/2015 Zamorano Jones
 D727,367 S 4/2015 Renski et al.
 D727,368 S 4/2015 Renski et al.
 D727,369 S 4/2015 Renski et al.
 D727,979 S 4/2015 Renski et al.
 D727,980 S 4/2015 Renski et al.

D727,981 S 4/2015 Renski et al.
 D727,982 S 4/2015 Renski et al.
 D728,635 S 5/2015 Kunz
 D728,636 S 5/2015 Kunz
 D728,637 S 5/2015 Kunz
 9,260,839 B2 2/2016 Kunz
 2003/0093928 A1 5/2003 Bierwith
 2005/0241194 A1 11/2005 Bierwith
 2005/0241195 A1 11/2005 Bierwith
 2012/0297649 A1 11/2012 Gomar
 2012/0304508 A1 12/2012 Guimaraes et al.
 2013/0008062 A1 1/2013 Guimaraes et al.
 2013/0047475 A1 2/2013 Bierwith
 2013/0145660 A1 6/2013 Zamorano Jones
 2013/0180137 A1 7/2013 Hurley et al.
 2013/0185964 A1 7/2013 Anisy et al.
 2013/0318840 A1 12/2013 Ollinger, IV et al.
 2014/0082976 A1 3/2014 Vicq et al.
 2014/0082977 A1 3/2014 Pilon
 2014/0230293 A1 8/2014 Lunn et al.
 2015/0121729 A1 5/2015 Kunz

OTHER PUBLICATIONS

U.S. Appl. No. 29/524,178, filed Apr. 17, 2015. (Unpublished).
 U.S. Appl. No. 62/148,992, filed Apr. 17, 2015. (Unpublished).
 U.S. Appl. No. 62/149,077, filed Apr. 17, 2015. (Unpublished).
 U.S. Appl. No. 62/149,161, filed Apr. 17, 2015. (Unpublished).
 U.S. Appl. No. 62/149,229, filed Apr. 17, 2015. (Unpublished).
 Bradken, Penetrator, product overview, available at least as early as Jan. 2013.

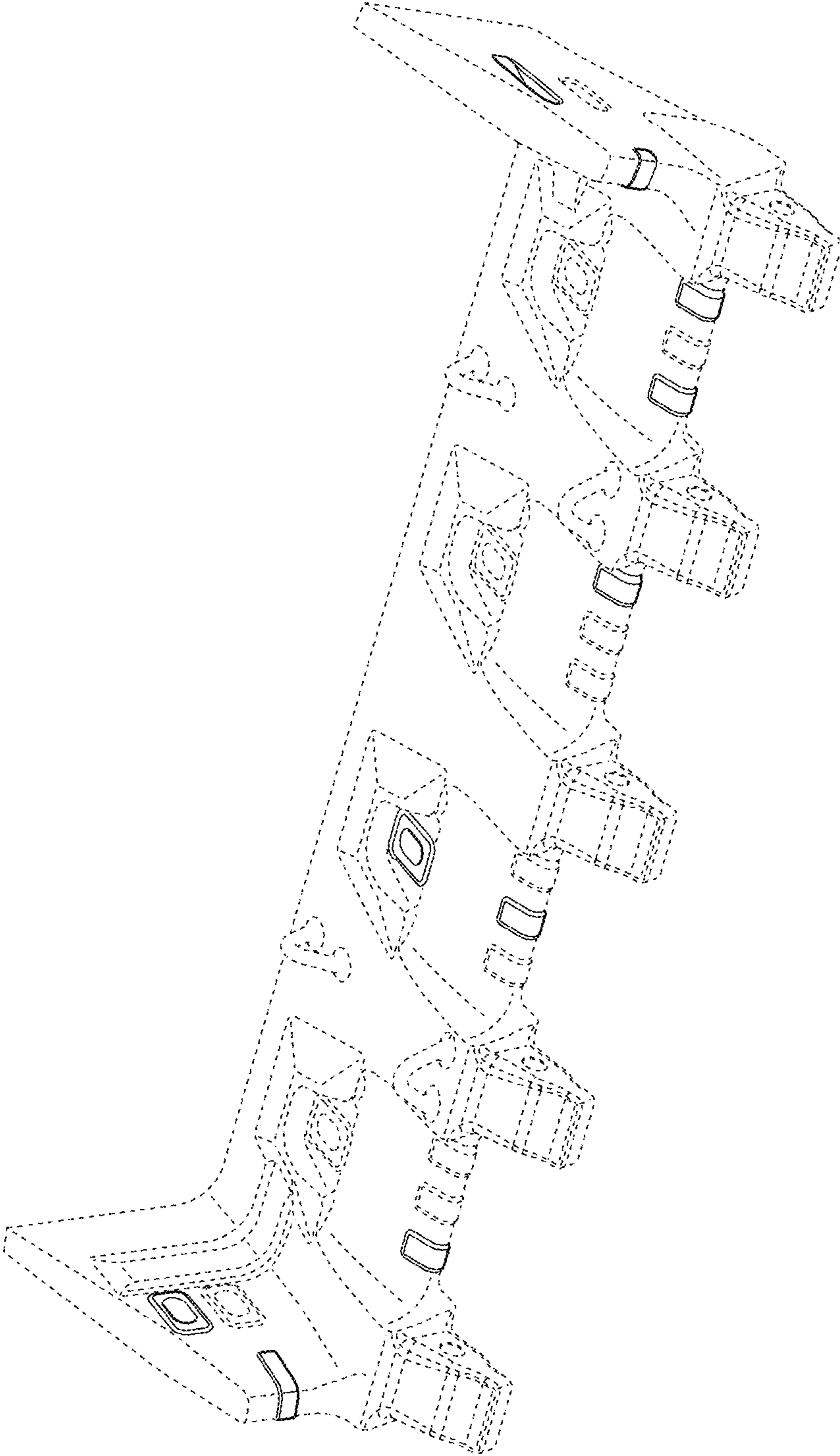


FIG. 1

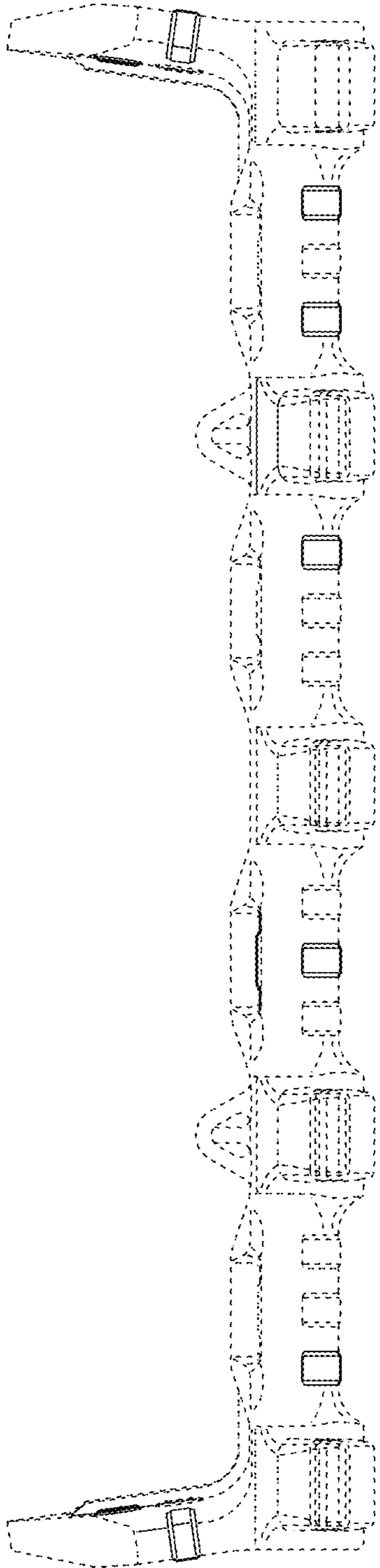


FIG. 2

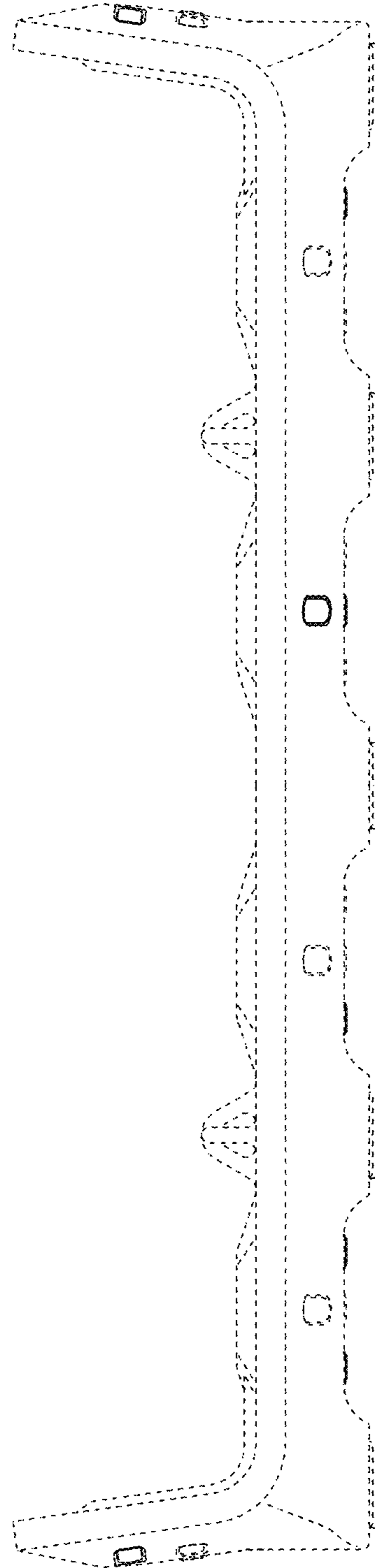


FIG. 3

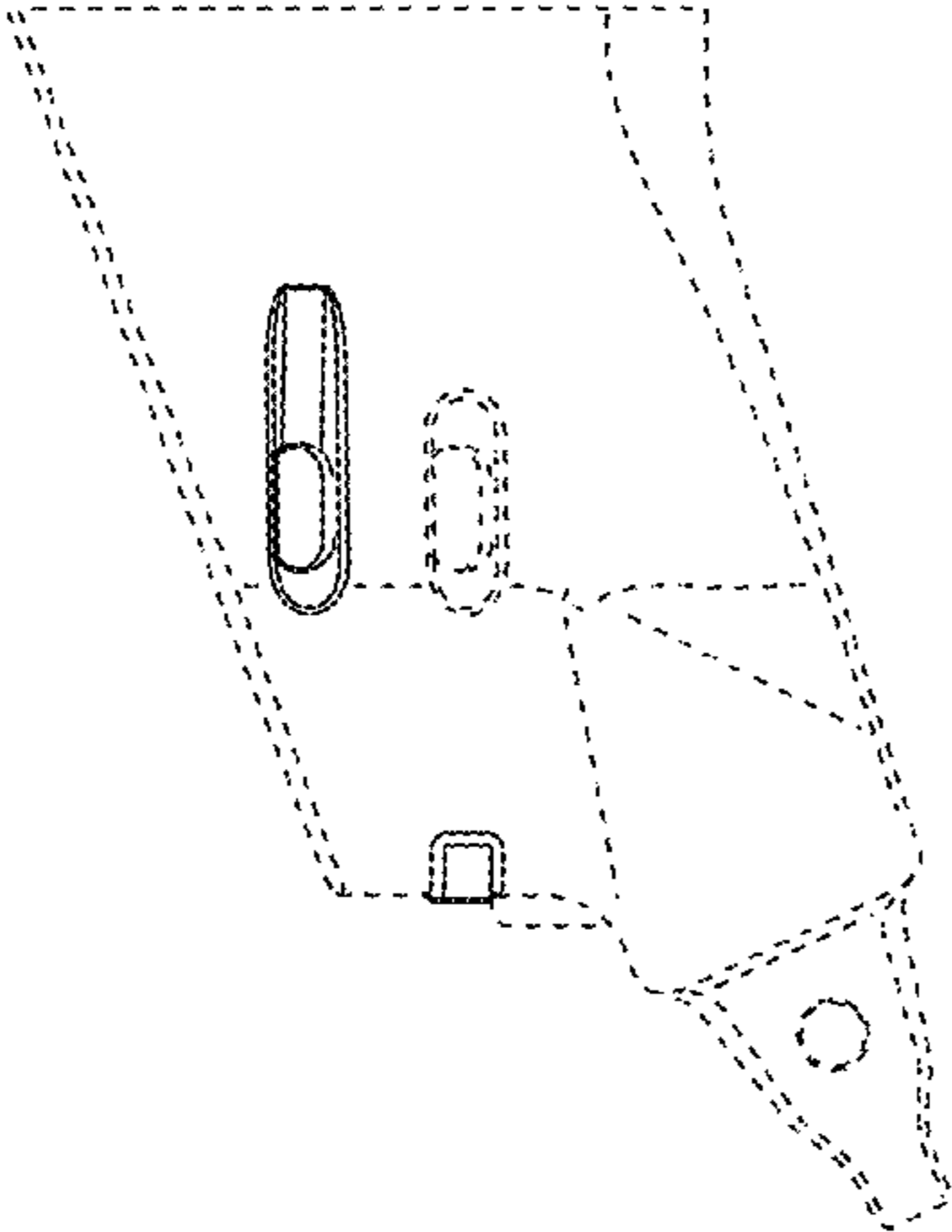


FIG. 5

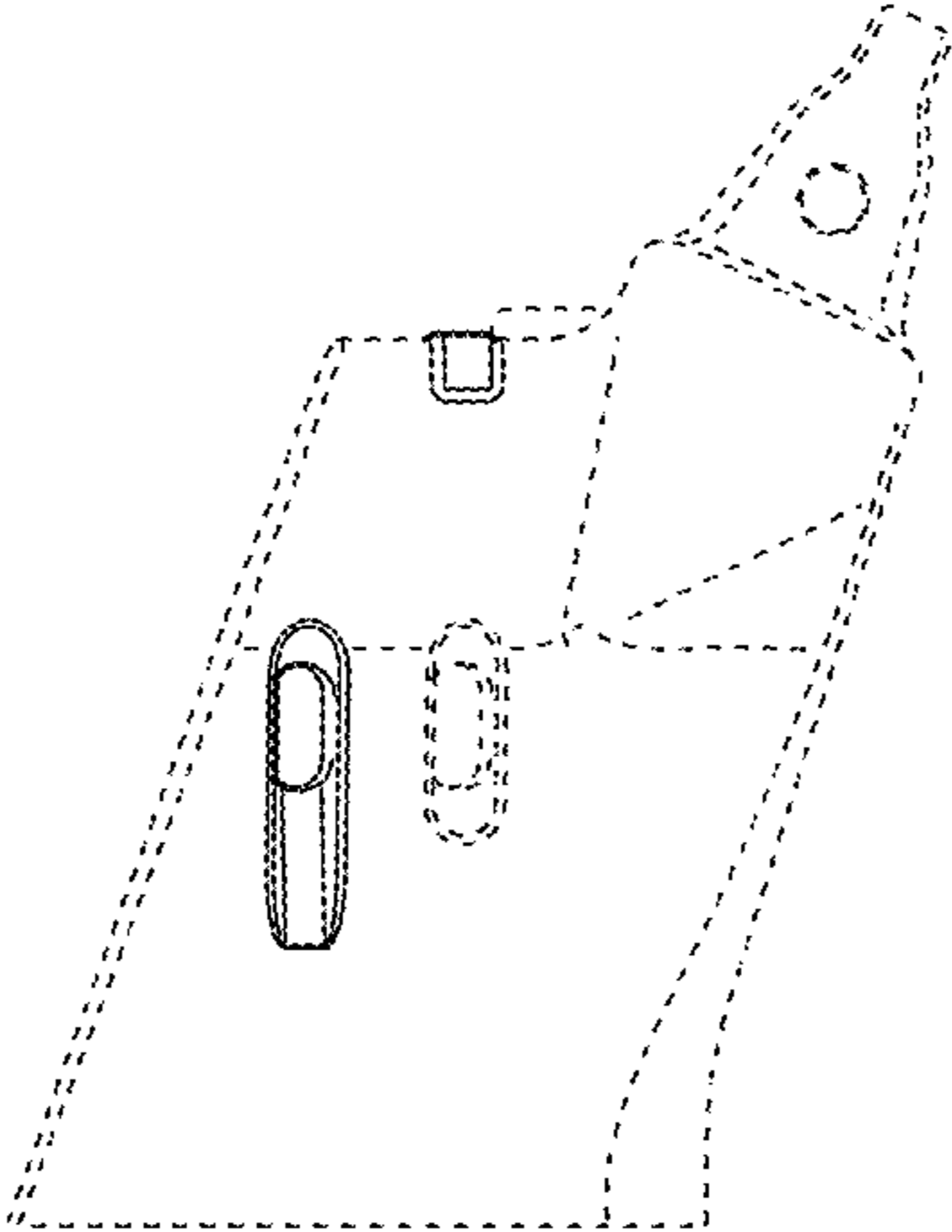


FIG. 4

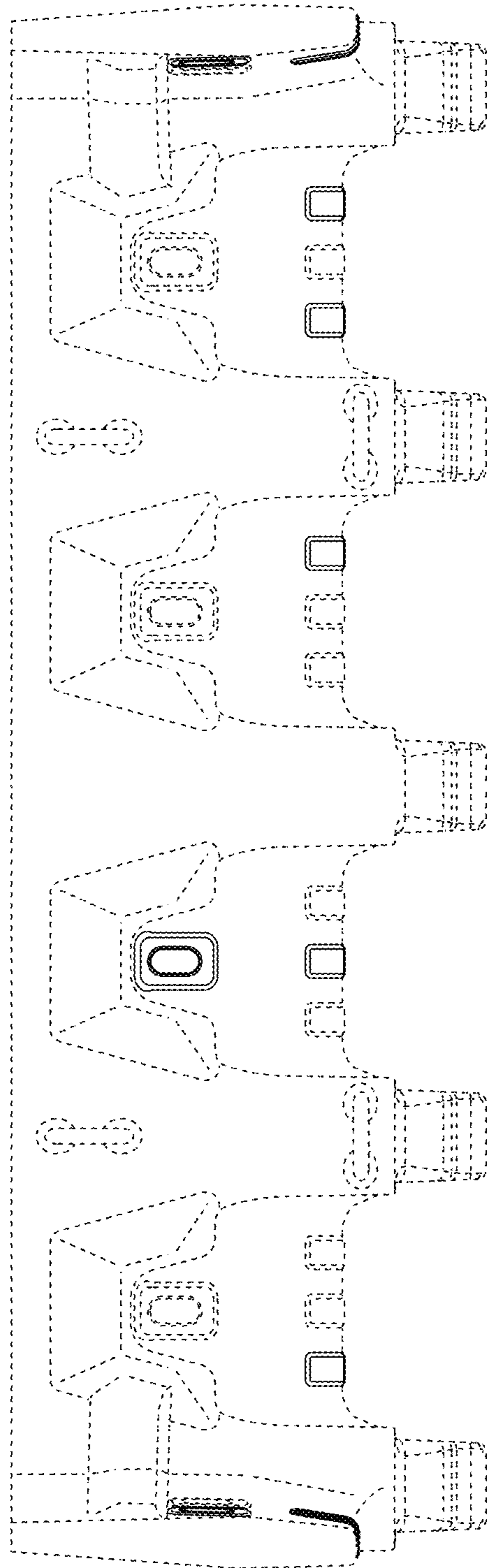


FIG. 6

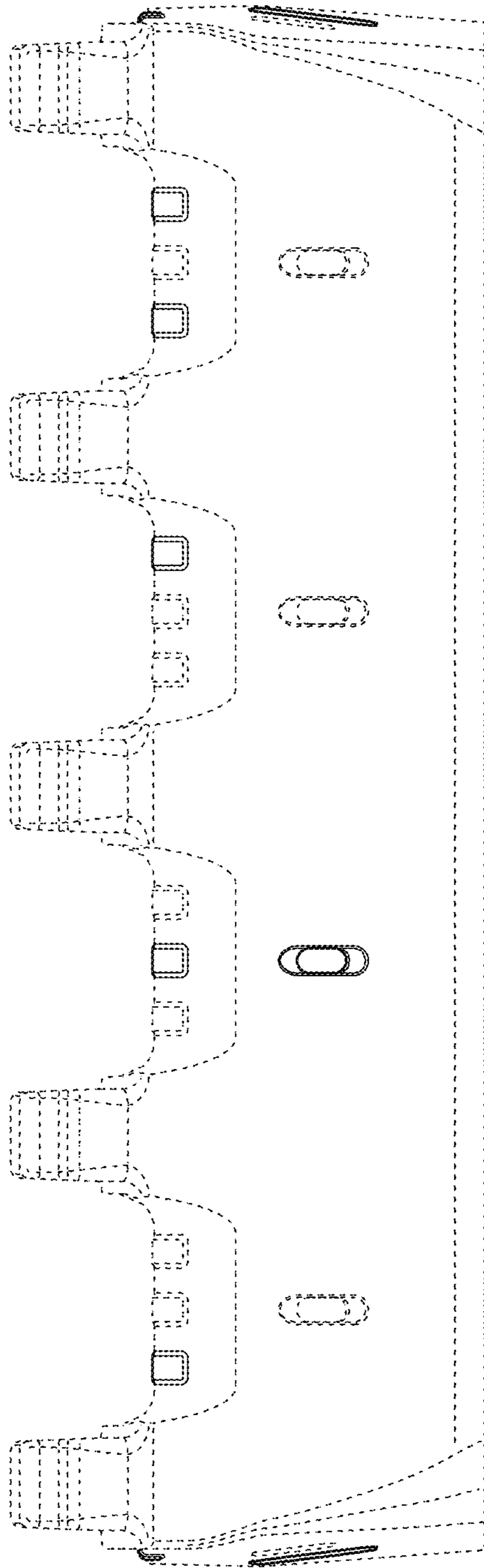


FIG. 7