



US00D790607S

(12) **United States Design Patent** (10) **Patent No.:** **US D790,607 S**  
**Balan et al.** (45) **Date of Patent:** **\*\* \*Jun. 27, 2017**

(54) **TIP FOR A GROUND ENGAGING MACHINE IMPLEMENT**

(71) Applicant: **Caterpillar Inc.**, Peoria, IL (US)

(72) Inventors: **Mihai Mircea Balan**, Dunlap, IL (US);  
**Douglas Serrurier**, Morton, IL (US)

(73) Assignee: **Caterpillar Inc.**, Peoria, IL (US)

(\*) Notice: This patent is subject to a terminal disclaimer.

(\*\*) Term: **15 Years**

(21) Appl. No.: **29/580,338**

(22) Filed: **Oct. 7, 2016**

**Related U.S. Application Data**

(63) Continuation of application No. 29/536,019, filed on Aug. 12, 2015, now Pat. No. Des. 775,240.

(51) **LOC (10) Cl.** ..... **15-03**

(52) **U.S. Cl.**  
USPC ..... **D15/29**; D15/28

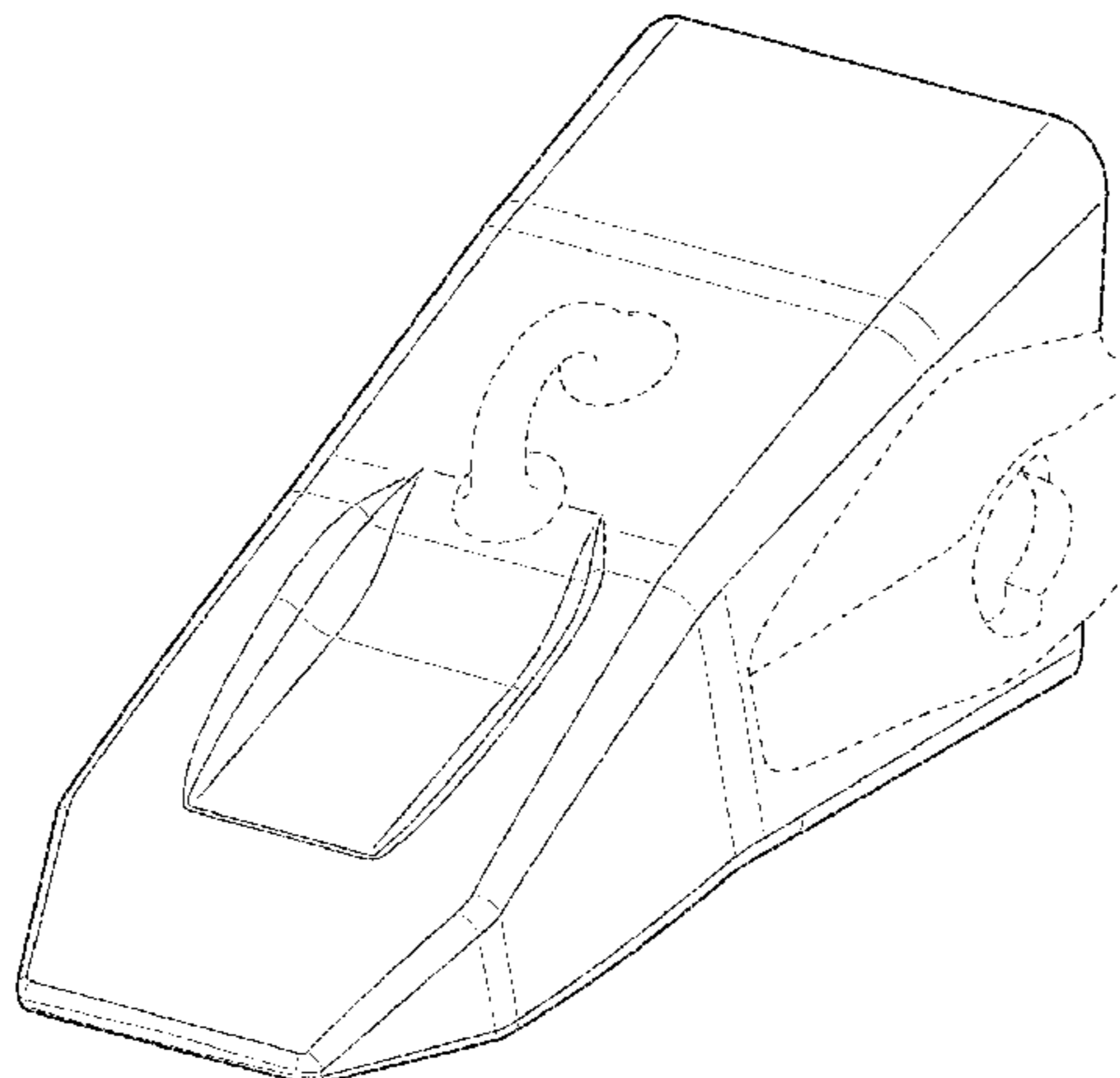
(58) **Field of Classification Search**  
USPC ..... D15/11, 28, 29; 37/456, 452, 450, 446, 37/454, 449, 453, 455, 903; 403/379.5, 403/DIG. 1; 111/152; 172/724, 730, 172/766, 770, 771, 721, 713, 699, 772  
CPC ..... Y10T 29/49826; Y10T 403/589; Y10T 403/7018; Y10T 403/7075; E02F 9/28; E02F 9/2825; E02F 9/2833; E02F 9/2866; E02F 9/2858; E02F 9/2808; E02F 9/2841  
See application file for complete search history.

(56) **References Cited**

**U.S. PATENT DOCUMENTS**

1,220,186 A	3/1917	Chambers
1,384,701 A	7/1921	McMonegal
1,571,782 A	2/1926	Andrews
1,856,930 A	5/1932	Robin
2,256,488 A	9/1941	Murtaugh

2,427,651 A	9/1947	Baer
D182,143 S	2/1958	Petersen
2,982,035 A	5/1961	Stephenson
3,019,537 A	2/1962	Stephenson
3,079,710 A	3/1963	Larsen et al.
3,312,004 A	4/1967	Johnson
3,623,247 A	11/1971	Stepe
3,774,324 A	11/1973	Lafond
3,823,496 A	7/1974	Querci et al.
3,832,077 A	8/1974	Von Mehren
4,027,408 A	6/1977	Ramella et al.
D251,431 S	3/1979	Klett et al.
D252,461 S	7/1979	Korpi
4,182,057 A	1/1980	Klett et al.
D255,119 S	5/1980	Korpi
4,231,173 A	11/1980	Davis
D275,859 S	10/1984	Nilsson
4,481,728 A	11/1984	Mulder et al.
4,516,340 A	5/1985	Lauder
D296,442 S	6/1988	Broomhall
4,761,900 A	8/1988	Emrich
4,776,113 A	10/1988	Bedford et al.
4,848,013 A	7/1989	Bowman et al.
4,932,145 A	6/1990	Reeves
4,949,481 A	8/1990	Fellner
4,965,945 A	10/1990	Emrich
4,980,980 A	1/1991	Schadov et al.
5,018,283 A	5/1991	Fellner
D336,476 S	6/1993	Garman
D339,592 S	9/1993	Johansson
D345,364 S	3/1994	Robinson
D352,044 S	11/1994	Hahn
5,423,138 A	6/1995	Livesay et al.
D365,577 S	12/1995	Ruvang
5,561,925 A	10/1996	Livesay
D385,286 S	10/1997	Moreno
5,709,043 A	1/1998	Jones et al.
D391,583 S	3/1998	Moreno
D392,292 S	3/1998	Moreno
D395,661 S	6/1998	Moreno
5,806,216 A	9/1998	Renski
D399,511 S	10/1998	Lauder et al.
5,852,888 A	12/1998	Cornelius
D408,422 S	4/1999	Moreno
D410,657 S	6/1999	Lauder et al.
D413,338 S	8/1999	Pueyo Molina
5,937,550 A	8/1999	Emrich
D414,193 S	9/1999	Lauder et al.
D415,173 S	10/1999	Zaun
5,983,534 A	11/1999	Robinson et al.
D417,877 S	12/1999	Lauder et al.
D429,256 S	8/2000	Zaun
D429,258 S	8/2000	Zaun



# US D790,607 S

Page 2

6,321,471	B2	11/2001	Fernandez Muñoz et al.	CL	739-2010	12/2010
D454,891	S	3/2002	Ketting et al.	CL	291-2012	11/2012
D460,464	S	7/2002	Ketting et al.	EM 000089099-0001-0003		10/2000
D461,198	S	8/2002	Ketting et al.	EM 000877477-0001-0009		1/2008
D461,832	S	8/2002	Ketting et al.	EM 000895396-0001-0015		3/2008
6,477,796	B1	11/2002	Cornelius	EP	0 411 486 A1	2/1991
6,735,890	B2	5/2004	Carpenter et al.	GB	1049195	3/1988
6,745,503	B1	6/2004	Moreno et al.	GB	1050103	4/1988
6,766,602	B2	7/2004	Cox et al.	GB	2010025	4/1990
D499,749	S	12/2004	Lauder et al.	GB	2010026	4/1990
6,836,983	B2	1/2005	Moreno et al.	GB	2057051	12/1995
6,865,828	B1	3/2005	Molino et al.	GB	2057052	12/1995
6,871,426	B2	3/2005	Keech et al.	GB	2057053	12/1995
D505,137	S	5/2005	Steinlage et al.	GB	2060104	4/1996
D512,078	S	11/2005	Poutre	GB	2060105	4/1996
D527,029	S	8/2006	Lauder et al.	GB	2057055	9/1996
7,100,315	B2	9/2006	Carpenter et al.	GB	2091441	10/1999
7,168,193	B2	1/2007	Moreno et al.	GB	2091502	10/1999
D552,632	S	10/2007	De Martiis	GB	2095654	3/2000
D560,232	S	1/2008	De Martiis	GB	2097590	3/2000
7,367,144	B2	5/2008	Jones et al.	GB	2097591	4/2000
D614,206	S	4/2010	Ruvang	GB	2097592	4/2000
7,739,814	B2	6/2010	Carpenter et al.	GB	2097593	5/2000
7,762,015	B2	7/2010	Smith et al.	GB	2104929	3/2001
D624,943	S	10/2010	Gibbon	GB	2106421	4/2001
D706,307	S	6/2014	Renski et al.	WF	2 011 927 A2	1/2009
D706,311	S	6/2014	Renski et al.			
D706,312	S	6/2014	Renski et al.			
D706,839	S	6/2014	Renski et al.			
D706,840	S	6/2014	Renski et al.			
D707,263	S	6/2014	Renski et al.			
D707,264	S	6/2014	Renski et al.			
8,943,717	B2	2/2015	Renski et al.			
D727,367	S	4/2015	Renski et al.			
D727,368	S	4/2015	Renski et al.			
D727,369	S	4/2015	Renski et al.			
D727,979	S	4/2015	Renski et al.			
D727,980	S	4/2015	Renski et al.			
D727,981	S	4/2015	Renski et al.			
D727,982	S	4/2015	Renski et al.			
D728,635	S	5/2015	Kunz			
D728,636	S	5/2015	Kunz			
D728,637	S	5/2015	Kunz			
9,062,436	B2	6/2015	Renski et al.			
D748,681	S	2/2016	Renski et al.			
D748,682	S	2/2016	Renski et al.			
D748,684	S	2/2016	Renski et al.			
D748,685	S	2/2016	Kunz			
D749,146	S	2/2016	Renski et al.			
D749,147	S	2/2016	Kunz			
D761,883	S	7/2016	Kunz			
2004/0010949	A1	1/2004	Laguarda et al.			
2008/0028644	A1	2/2008	Almendros et al.			
2012/0131821	A1	5/2012	Brufau Guinovart et al.			
2012/0260540	A1	10/2012	Guimaraes et al.			
2012/0297649	A1	11/2012	Gomar			
2013/0086825	A1	4/2013	Renski et al.			
2013/0185964	A1	7/2013	Anisy et al.			
2013/0333254	A1	12/2013	Wallis et al.			
2014/0259806	A1	9/2014	Rimmey			
2014/0259808	A1	9/2014	LaHood et al.			
2015/0167278	A1	6/2015	Rivera et al.			

## FOREIGN PATENT DOCUMENTS

CL	2068-1995	10/1996
CL	391-1998	11/1998
CL	1193-1999	9/1999
CL	223-1999	11/1999
CL	1457-1999	11/1999
CL	1583-1999	6/2000
CL	2671-2005	7/2006
CL	3115-2005	9/2006
CL	3116-2005	9/2006
CL	173-2008	8/2008
CL	174-2008	8/2008
CL	2524-2008	1/2009
CL	1764-2008	7/2009
CL	618-2010	11/2010

## OTHER PUBLICATIONS

Caterpillar Inc., Cat® K Series™ Tooth Systems, brochure (4 pages), 2006.

Caterpillar Inc., "Cat Backhoe Loader Options," published Jan. 1, 2005.

U.S. Appl. No. 29/524,183, filed Apr. 17, 2015. (Unpublished).

U.S. Appl. No. 29/536,033, filed Aug. 12, 2015. (Unpublished).

U.S. Appl. No. 29/536,022, filed Aug. 12, 2015. (Unpublished).

U.S. Appl. No. 29/536,024, filed Aug. 12, 2015. (Unpublished).

U.S. Appl. No. 29/536,032, filed Aug. 12, 2015. (Unpublished).

U.S. Appl. No. 29/536,027, filed Aug. 12, 2015. (Unpublished).

U.S. Appl. No. 29/536,030, filed Aug. 12, 2015. (Unpublished).

U.S. Appl. No. 29/536,036, filed Aug. 12, 2015. (Unpublished).

U.S. Appl. No. 29/536,035, filed Aug. 12, 2015. (Unpublished).

U.S. Appl. No. 29/536,029, filed Aug. 12, 2015. (Unpublished).

U.S. Appl. No. 29/536,026, filed Aug. 12, 2015. (Unpublished).

U.S. Appl. No. 29/536,034, filed Aug. 12, 2015. (Unpublished).

U.S. Appl. No. 14/824,655, filed Aug. 12, 2015. (Unpublished).

U.S. Appl. No. 14/824,749, filed Aug. 12, 2015. (Unpublished).

*Primary Examiner* — Mark Goodwin

(74) *Attorney, Agent, or Firm* — Saidman Design Law Group

## (57) CLAIM

The ornamental design for a tip for a ground engaging machine implement, as shown and described.

## DESCRIPTION

FIG. 1 is a front perspective view of a tip for a ground engaging machine implement showing our new design;

FIG. 2 is a front view thereof;

FIG. 3 is a rear view thereof;

FIG. 4 is a left side view thereof;

FIG. 5 is a right side view thereof;

FIG. 6 is a top view thereof;

FIG. 7 is a bottom view thereof;

FIG. 8 is a front perspective view of a second embodiment thereof;

FIG. 9 is a front view thereof;

FIG. 10 is a rear view thereof;

FIG. 11 is a left side view thereof;

FIG. 12 is a right side view thereof;  
FIG. 13 is a top view thereof;  
FIG. 14 is a bottom view thereof;  
FIG. 15 is a front perspective view of a third embodiment thereof;  
FIG. 16 is a front view thereof;  
FIG. 17 is a rear view thereof;  
FIG. 18 is a left side view thereof;  
FIG. 19 is a right side view thereof;  
FIG. 20 is a top view thereof; and,  
FIG. 21 is a bottom view thereof.  
The dashed broken lines represent structure or features which form no part of the claimed design; the broken lines themselves form no part of the claimed design.  
The line shading in FIGS. 1-21 represents contour.

**1 Claim, 9 Drawing Sheets**

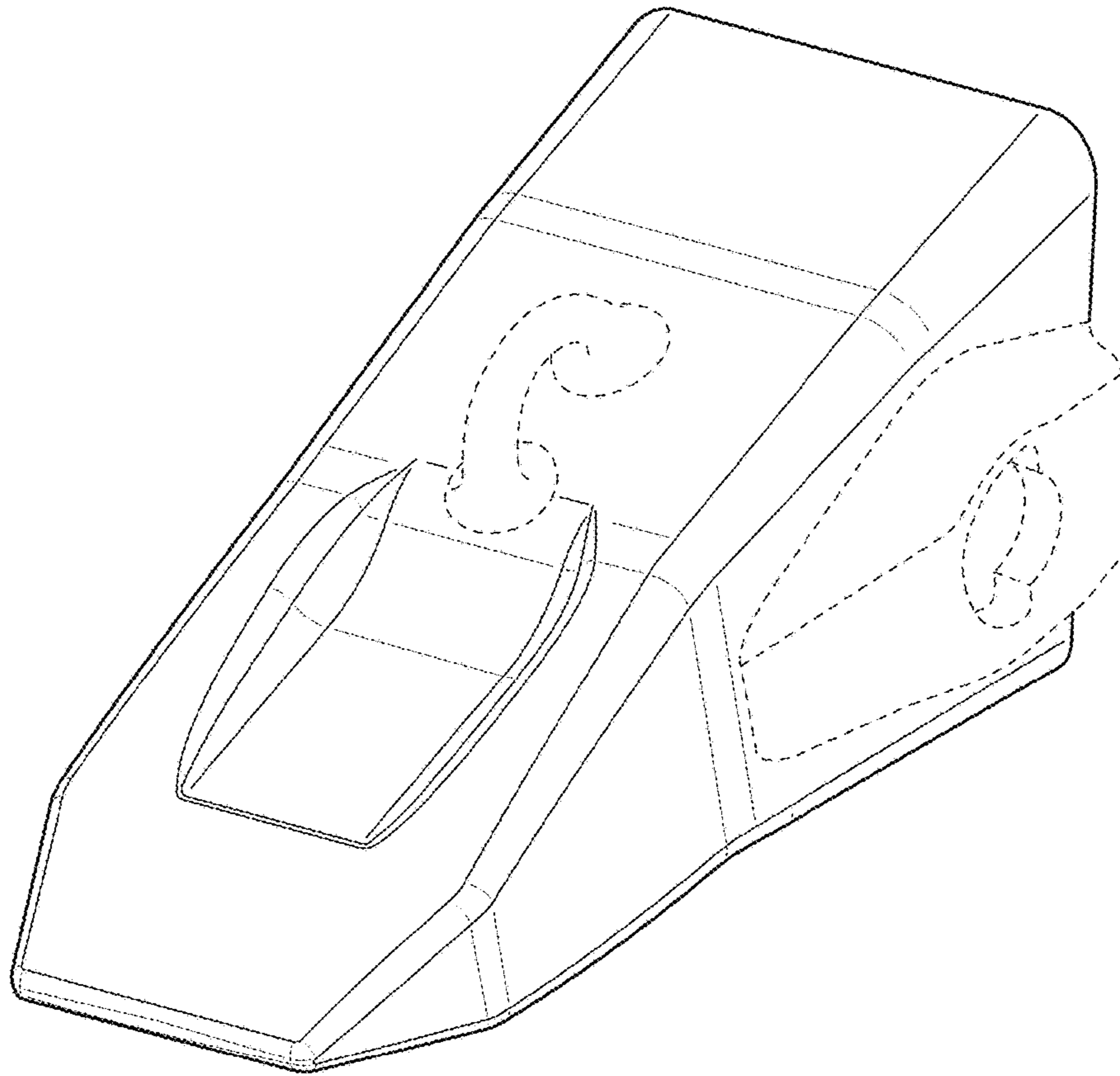


FIG. 1

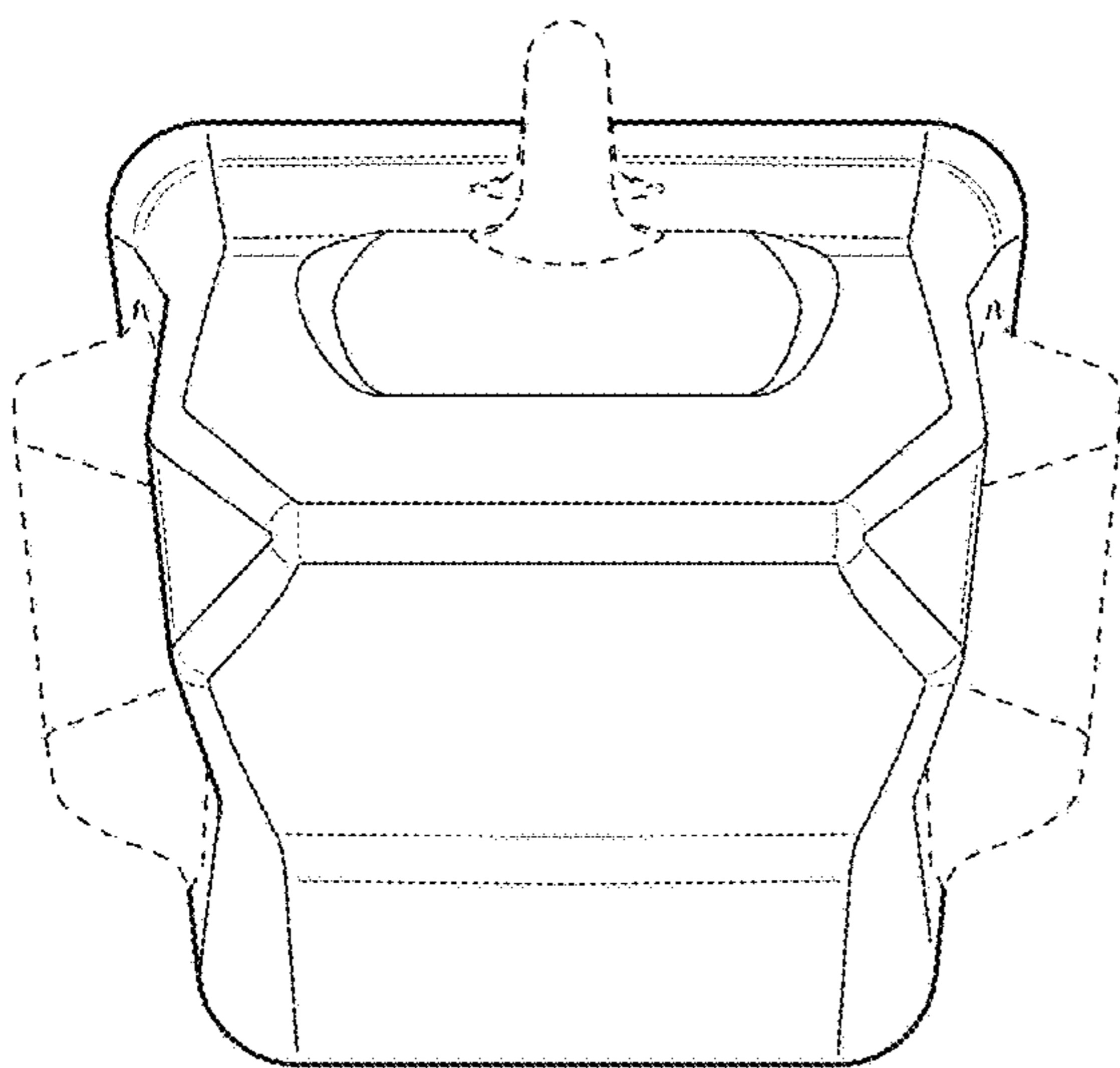


FIG. 2

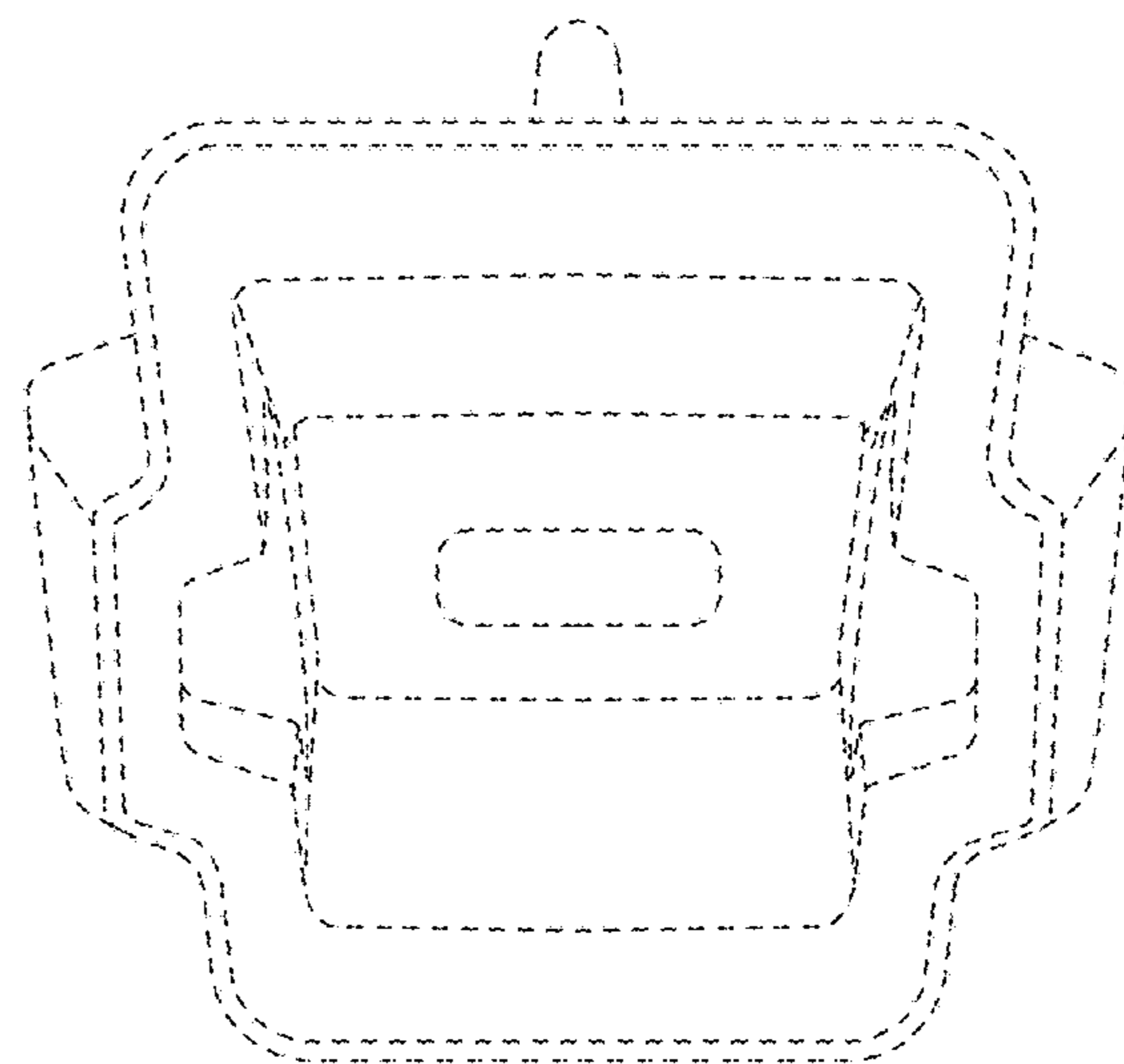


FIG. 3

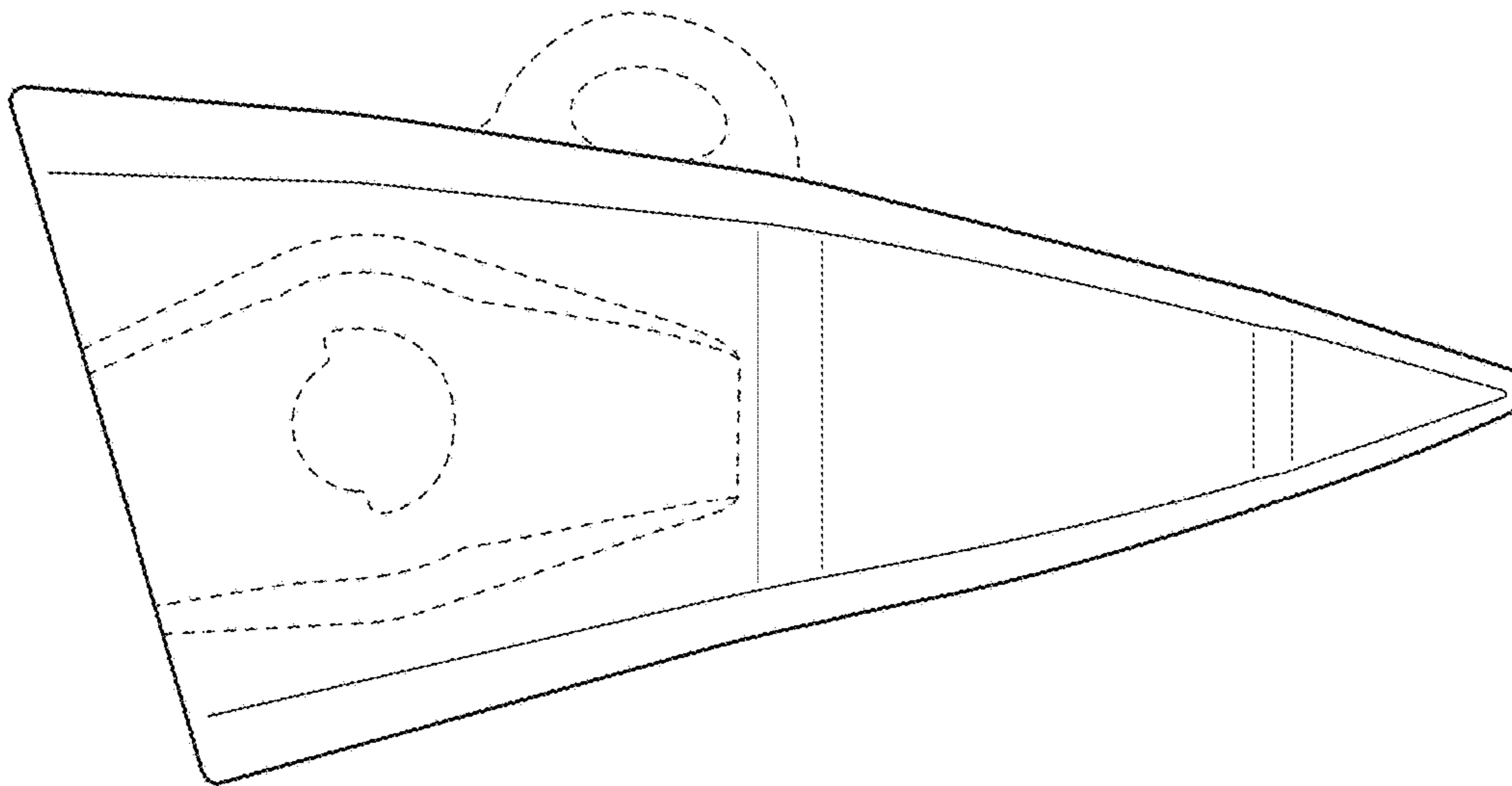


FIG. 4

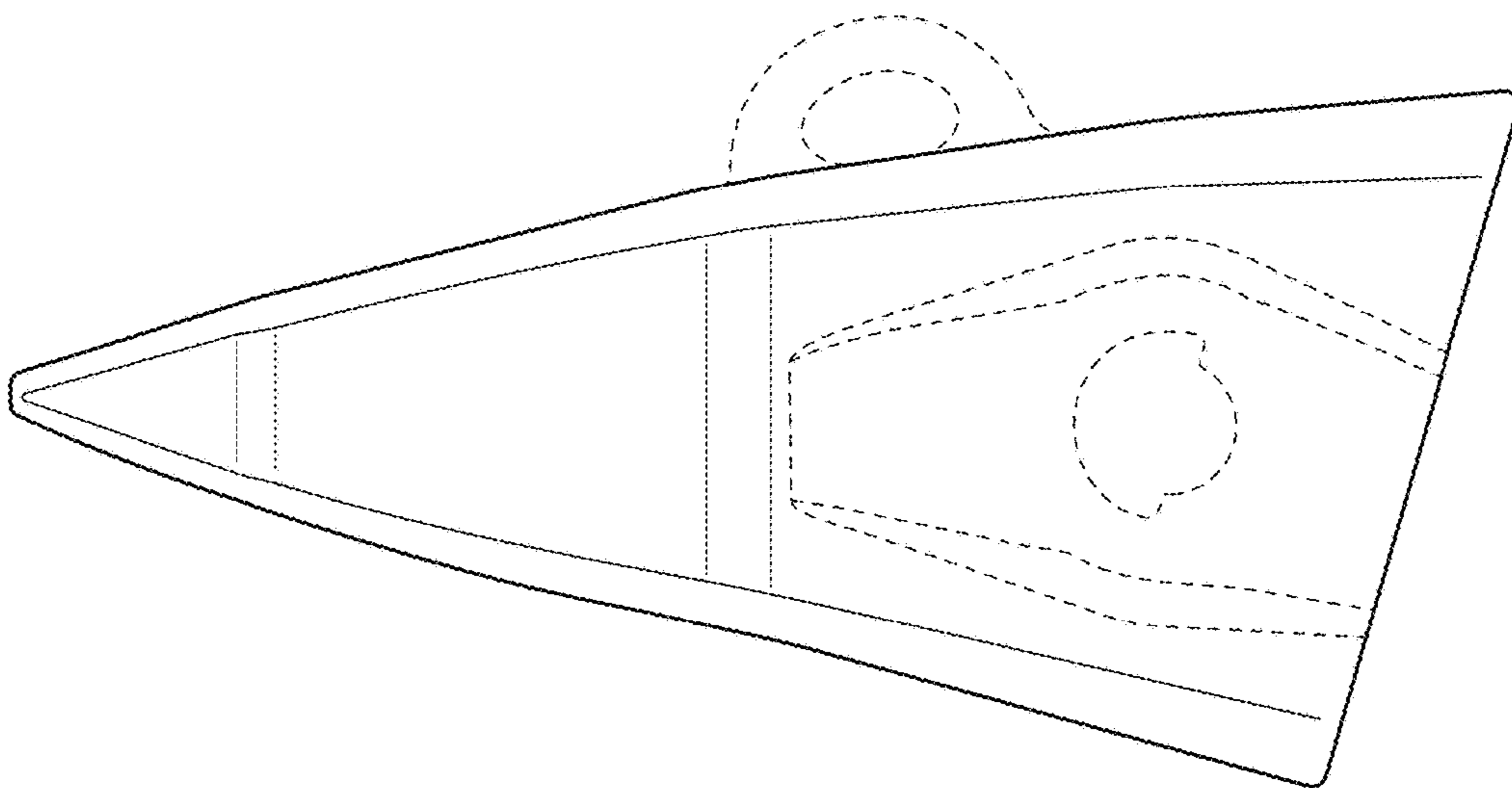


FIG. 5

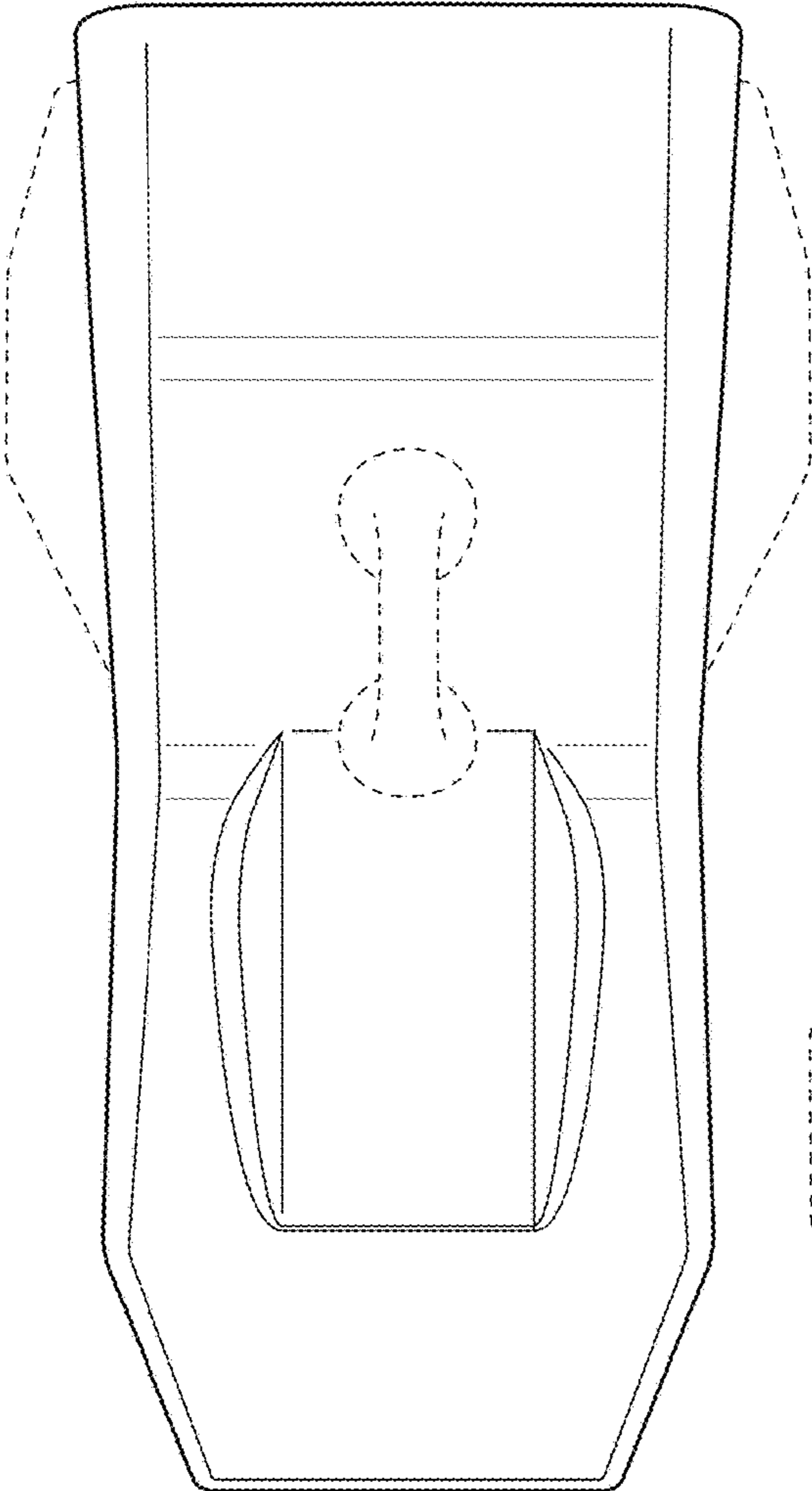


FIG. 6

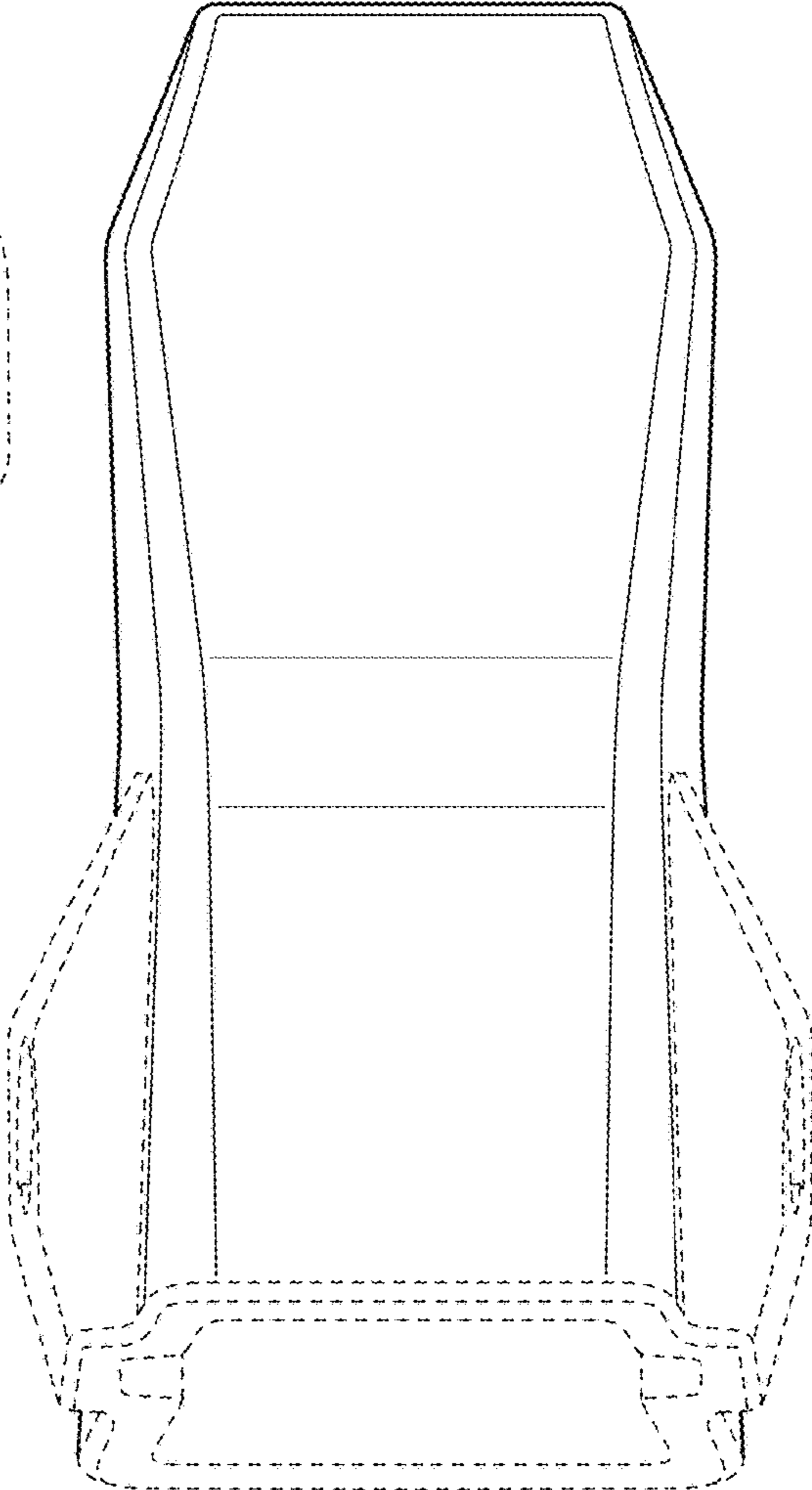


FIG. 7

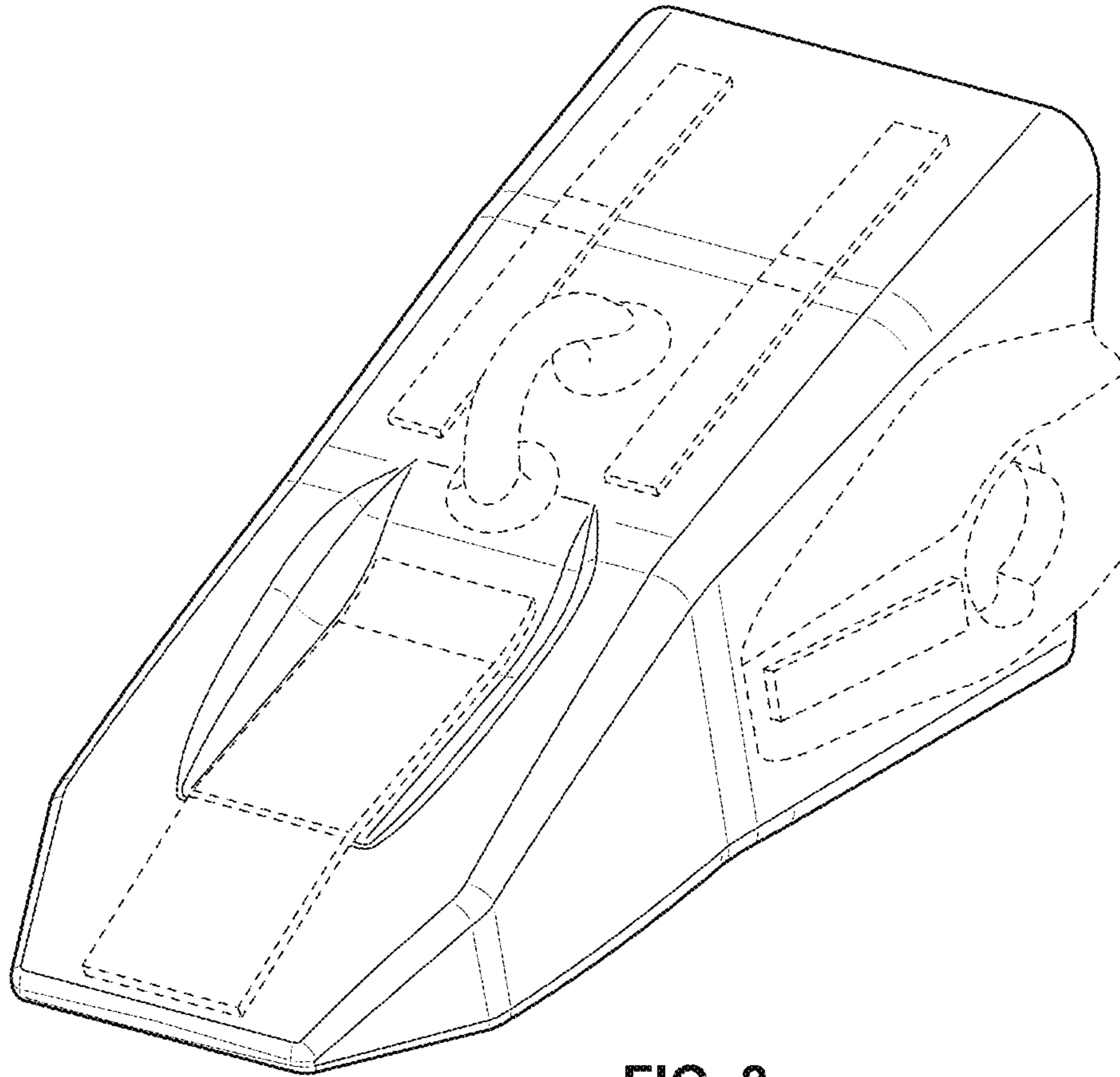


FIG. 8

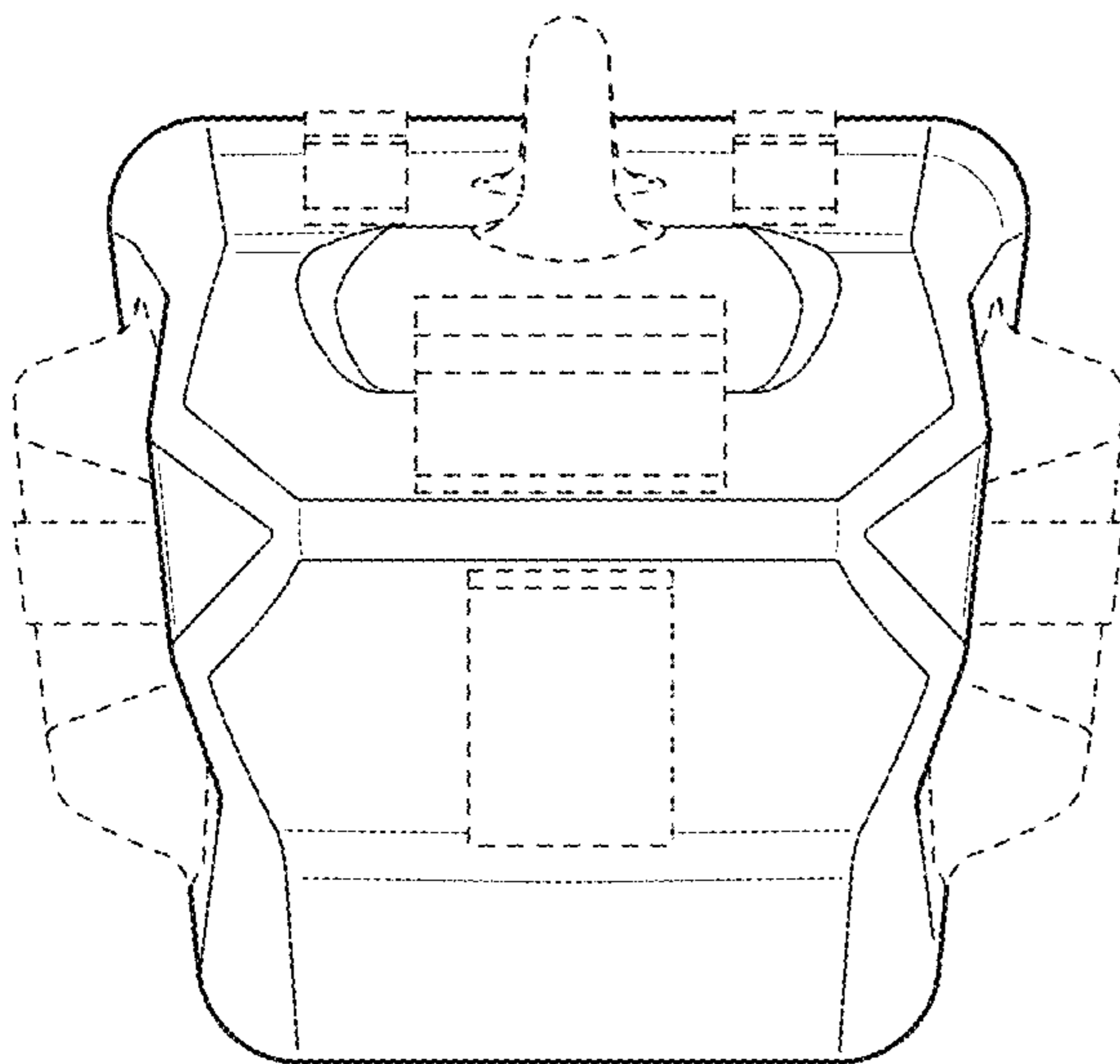


FIG. 9

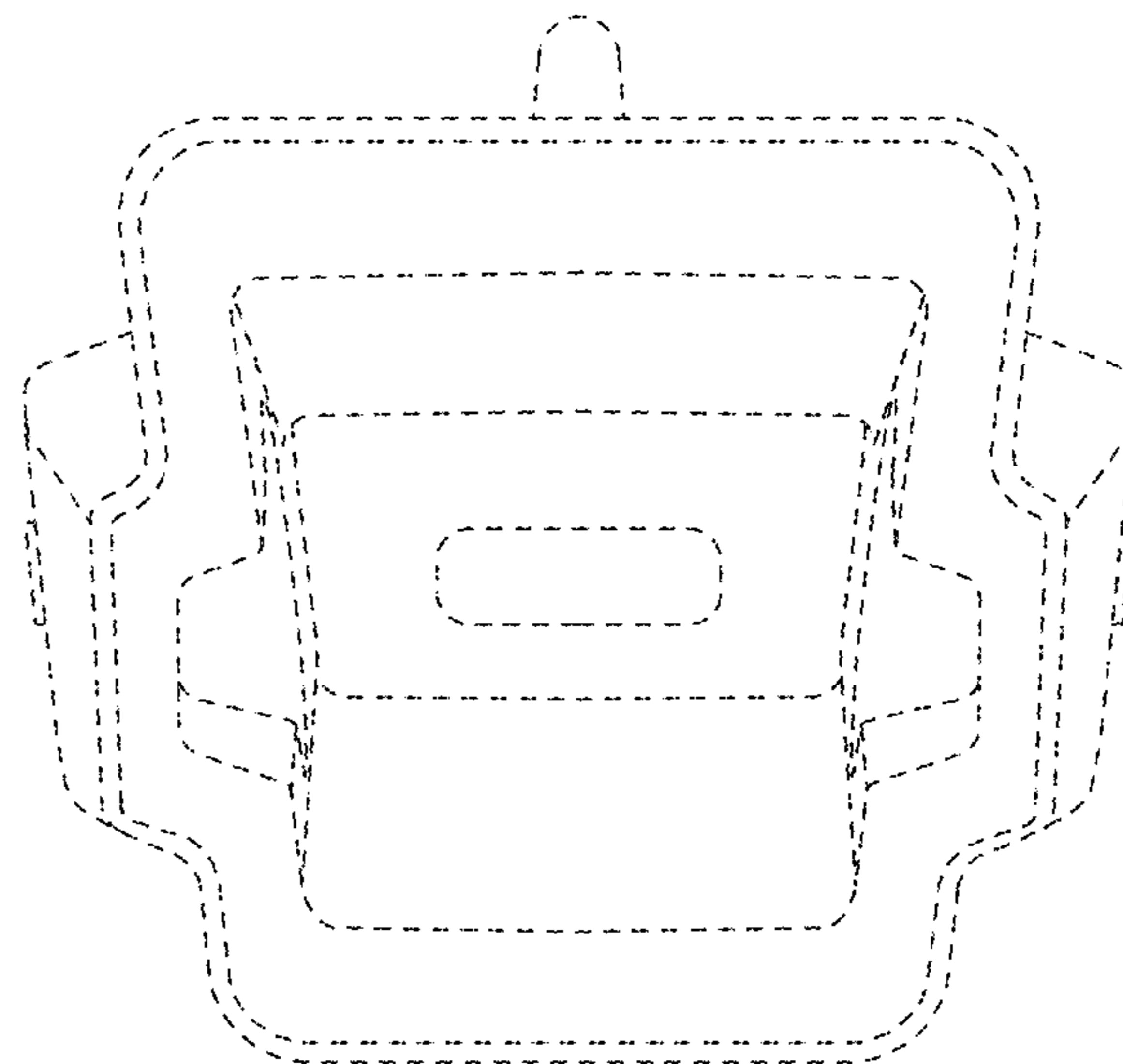


FIG. 10

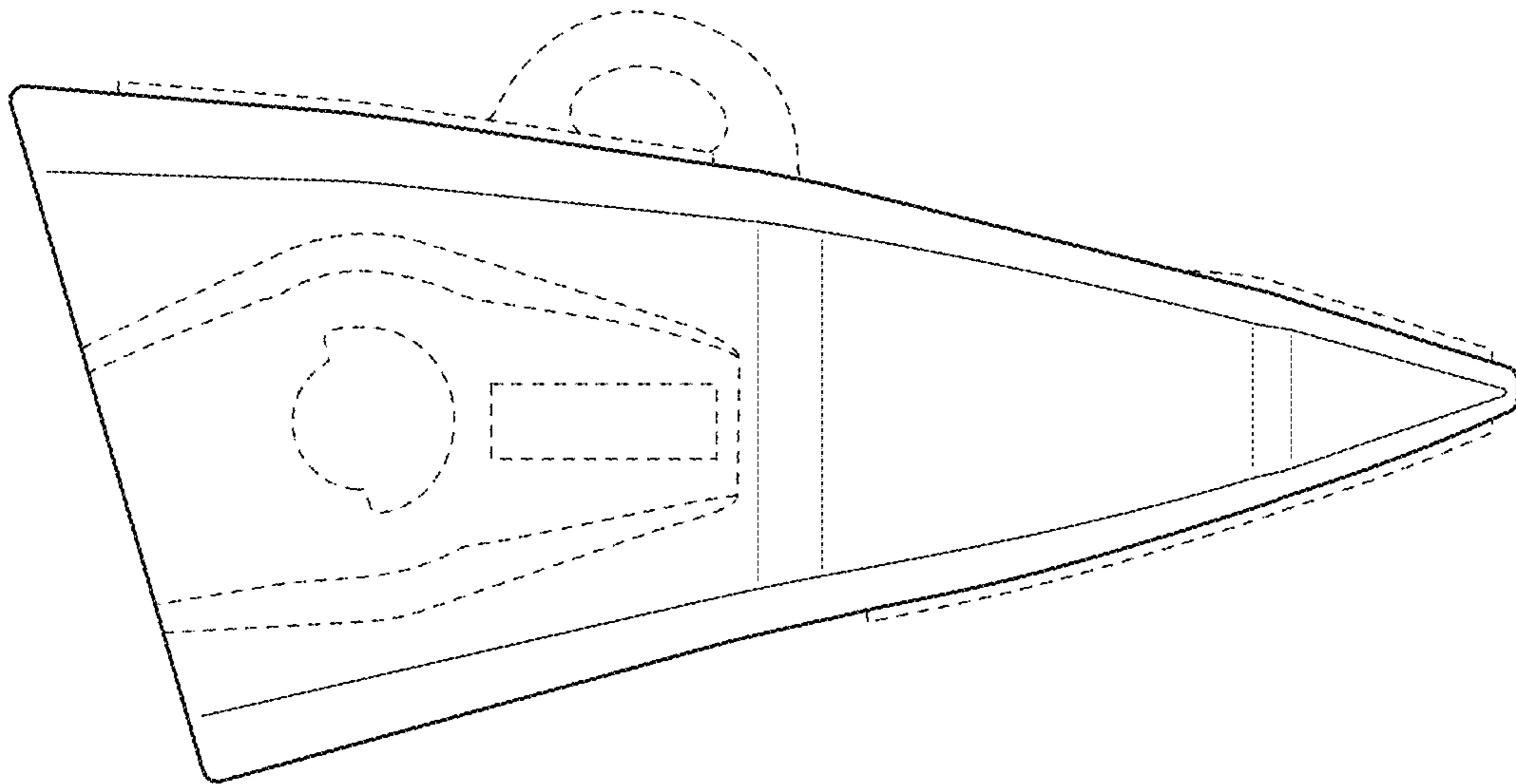


FIG. 11

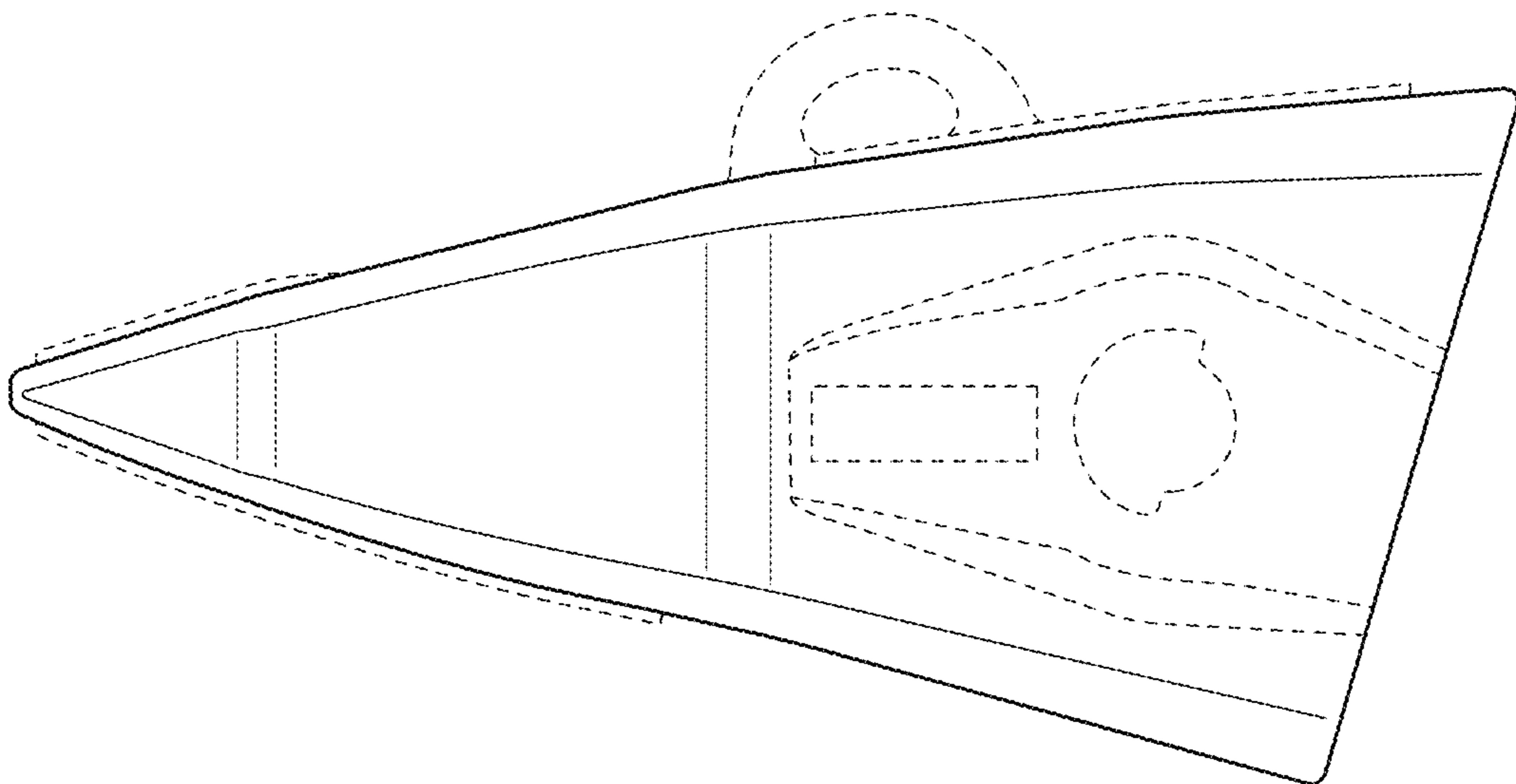


FIG. 12



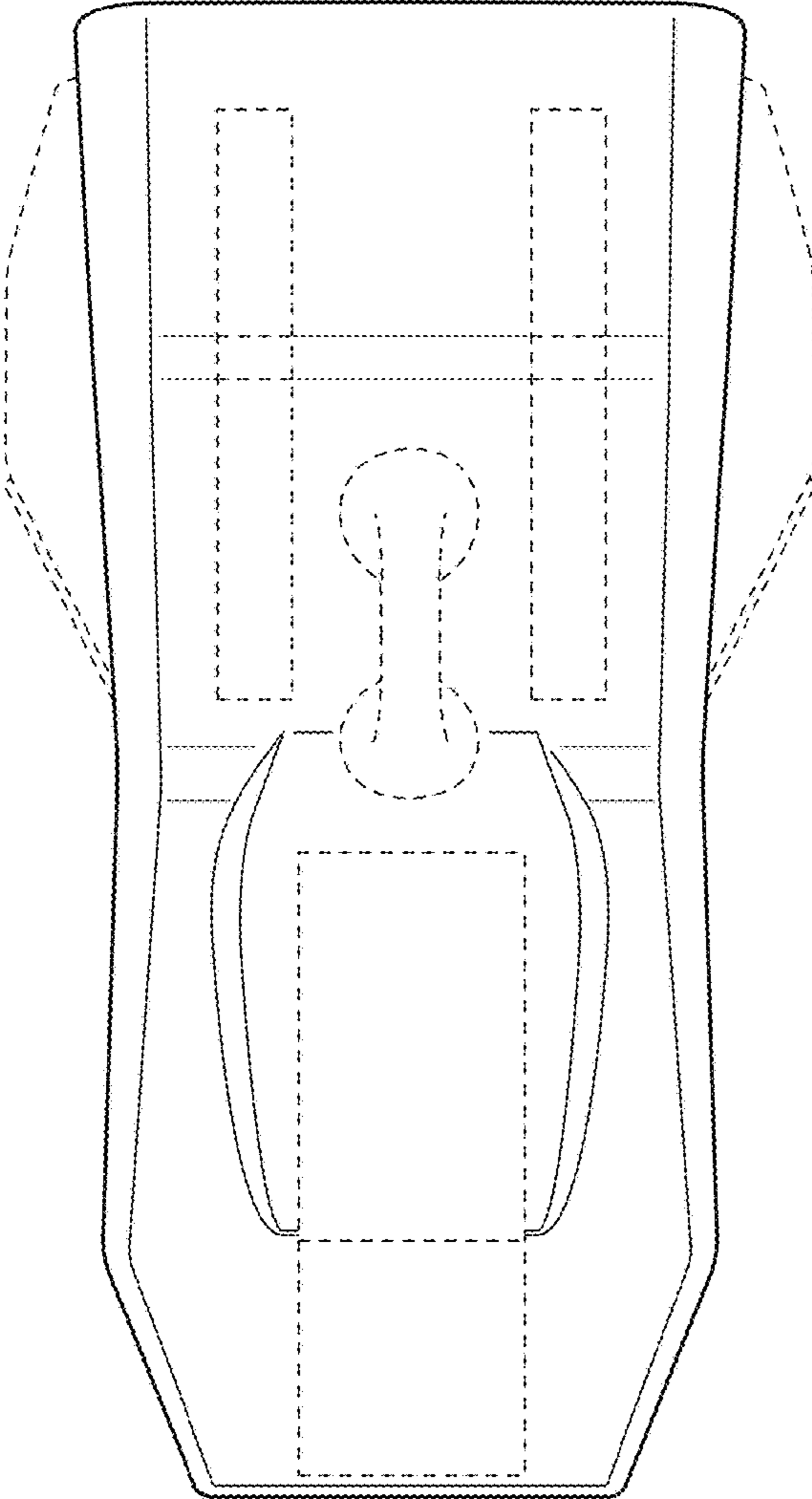


FIG. 13

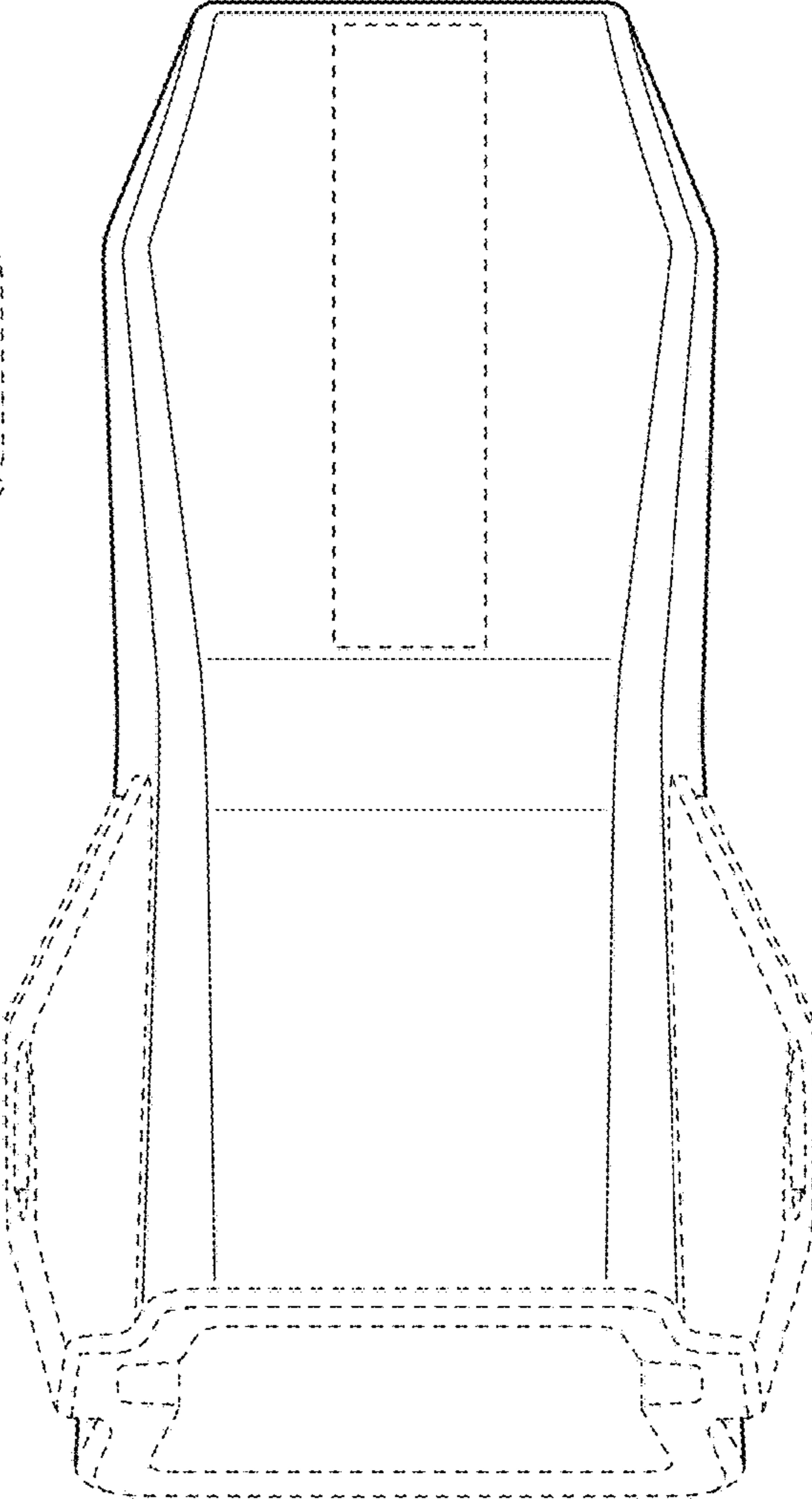


FIG. 14

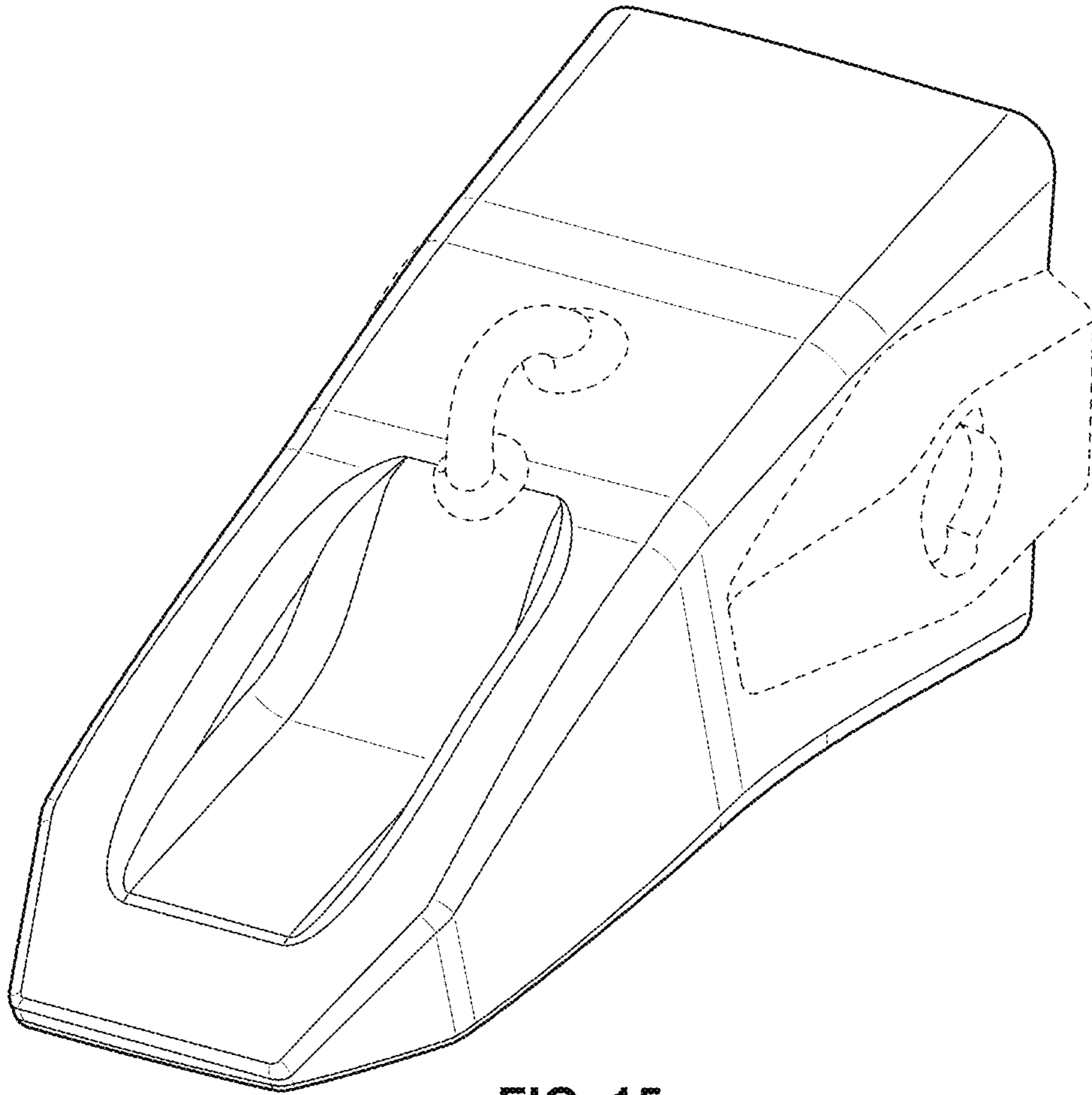


FIG. 15

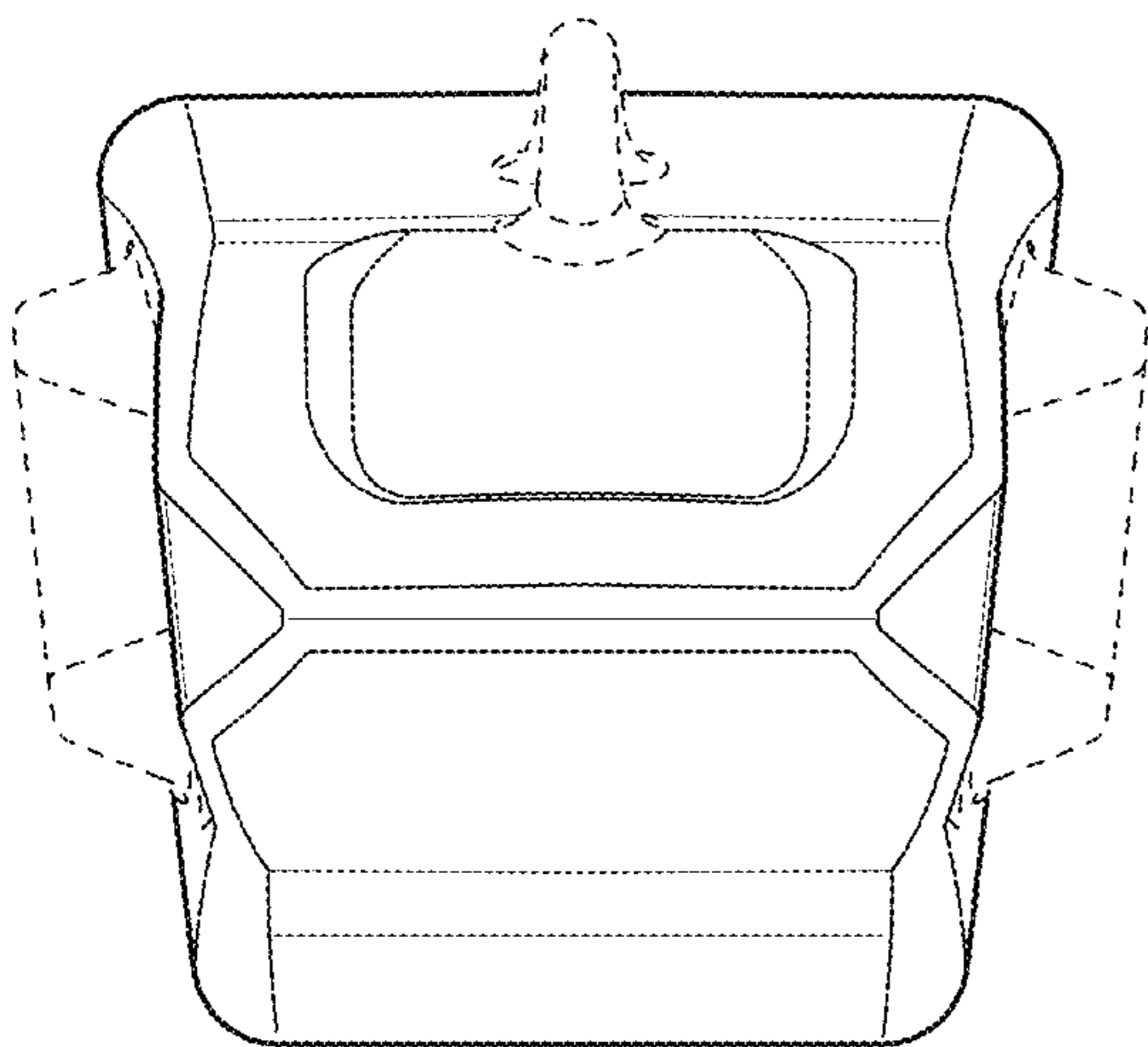


FIG. 16

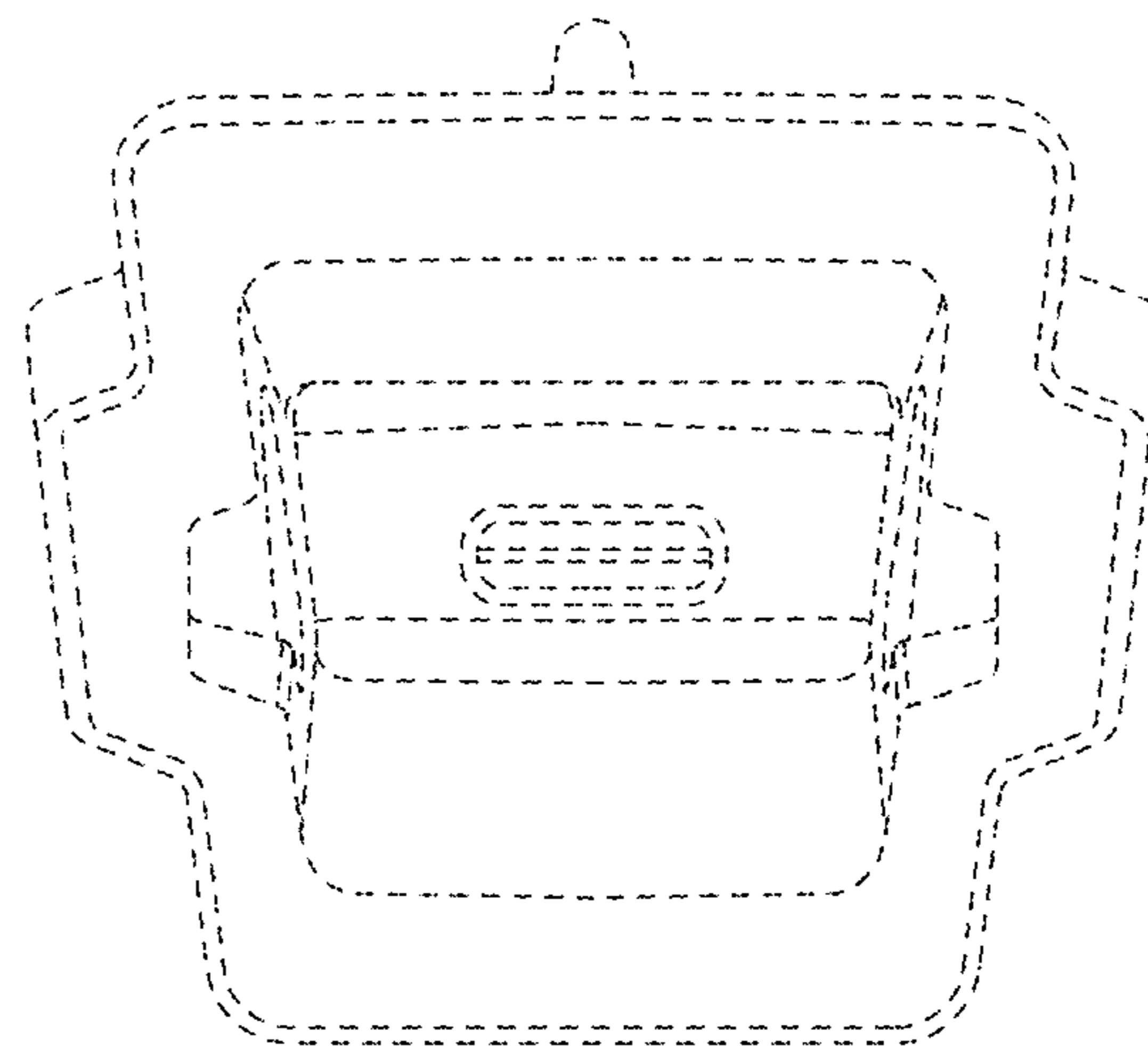


FIG. 17

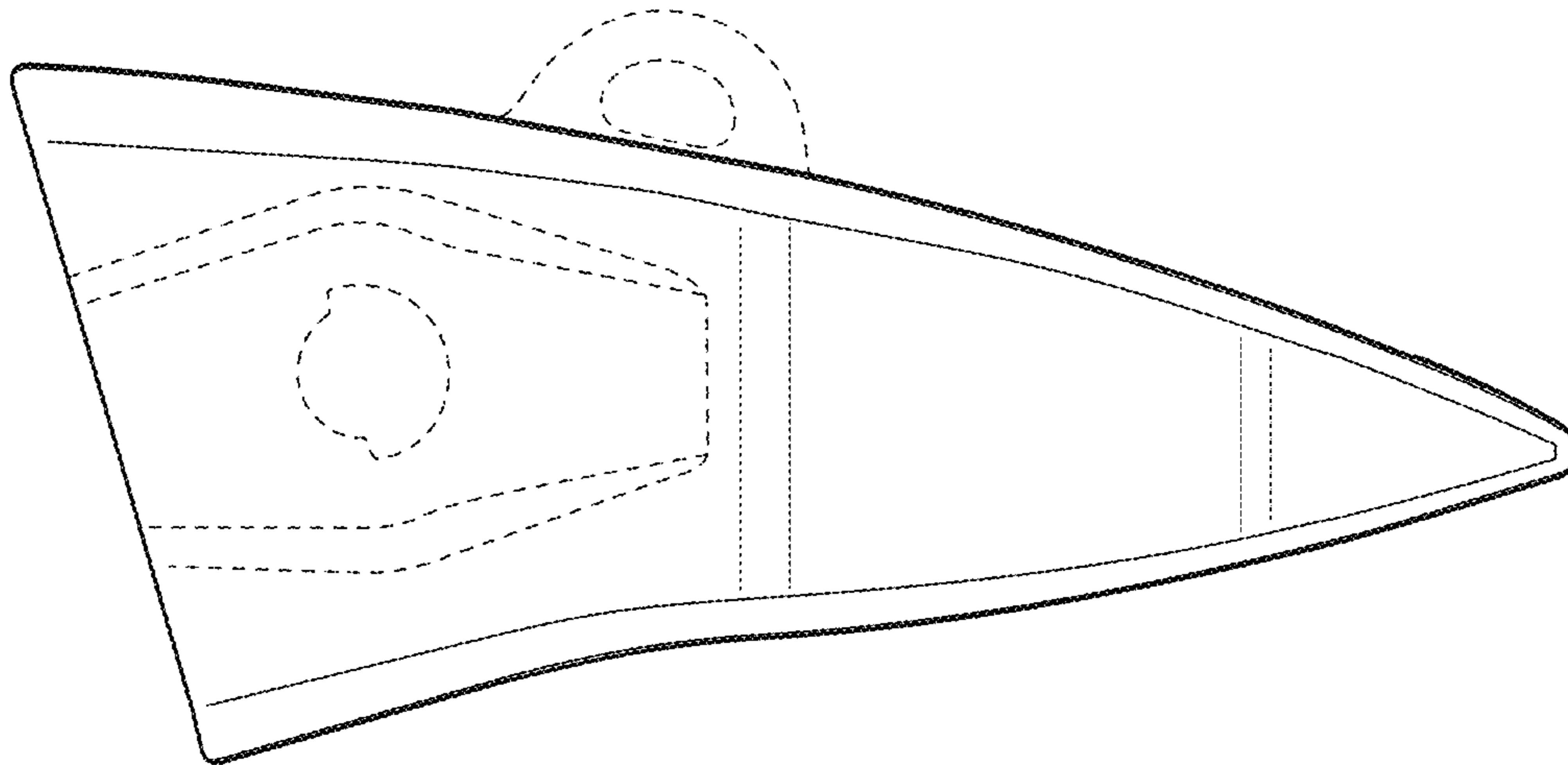


FIG. 18

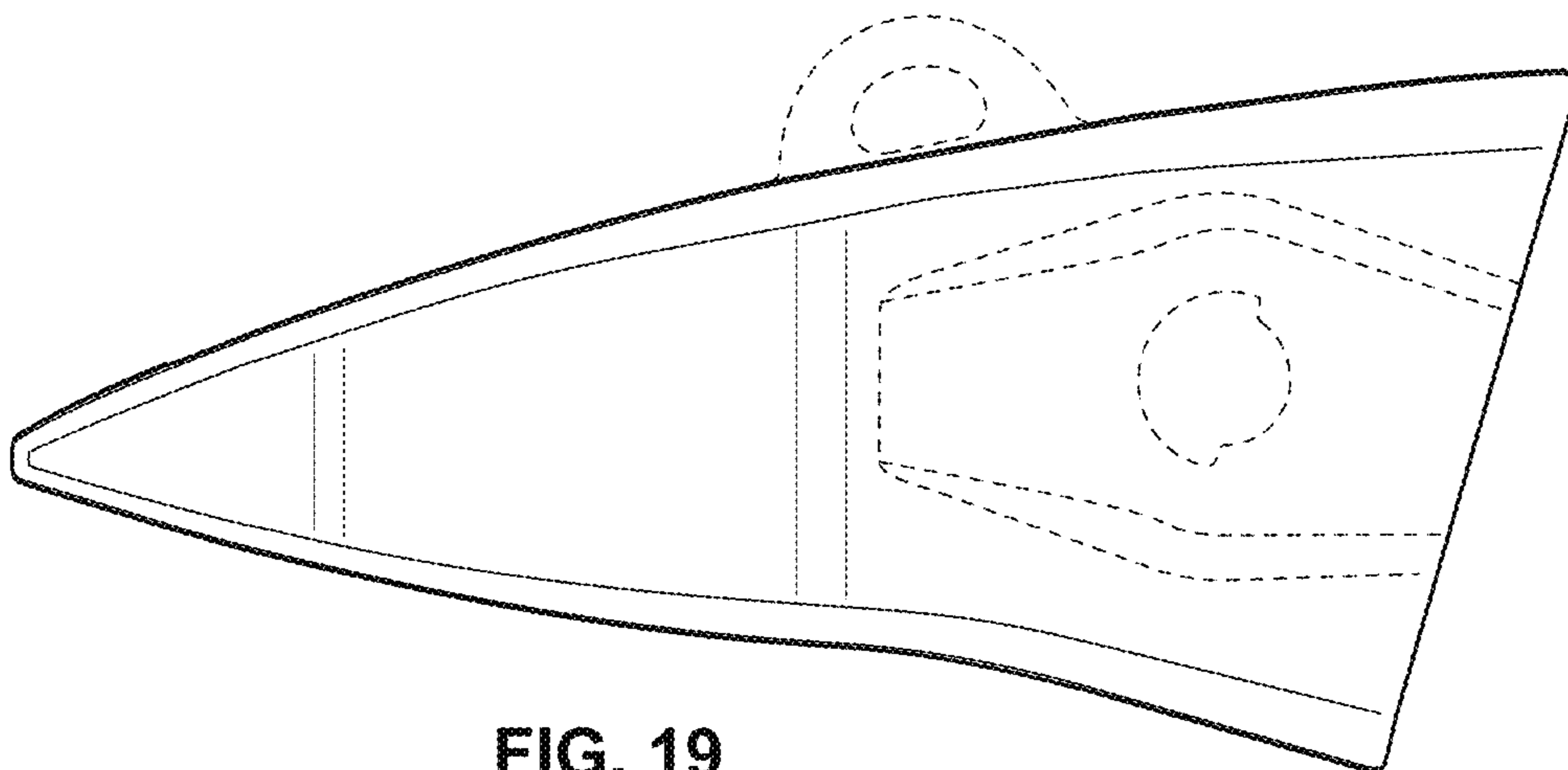


FIG. 19

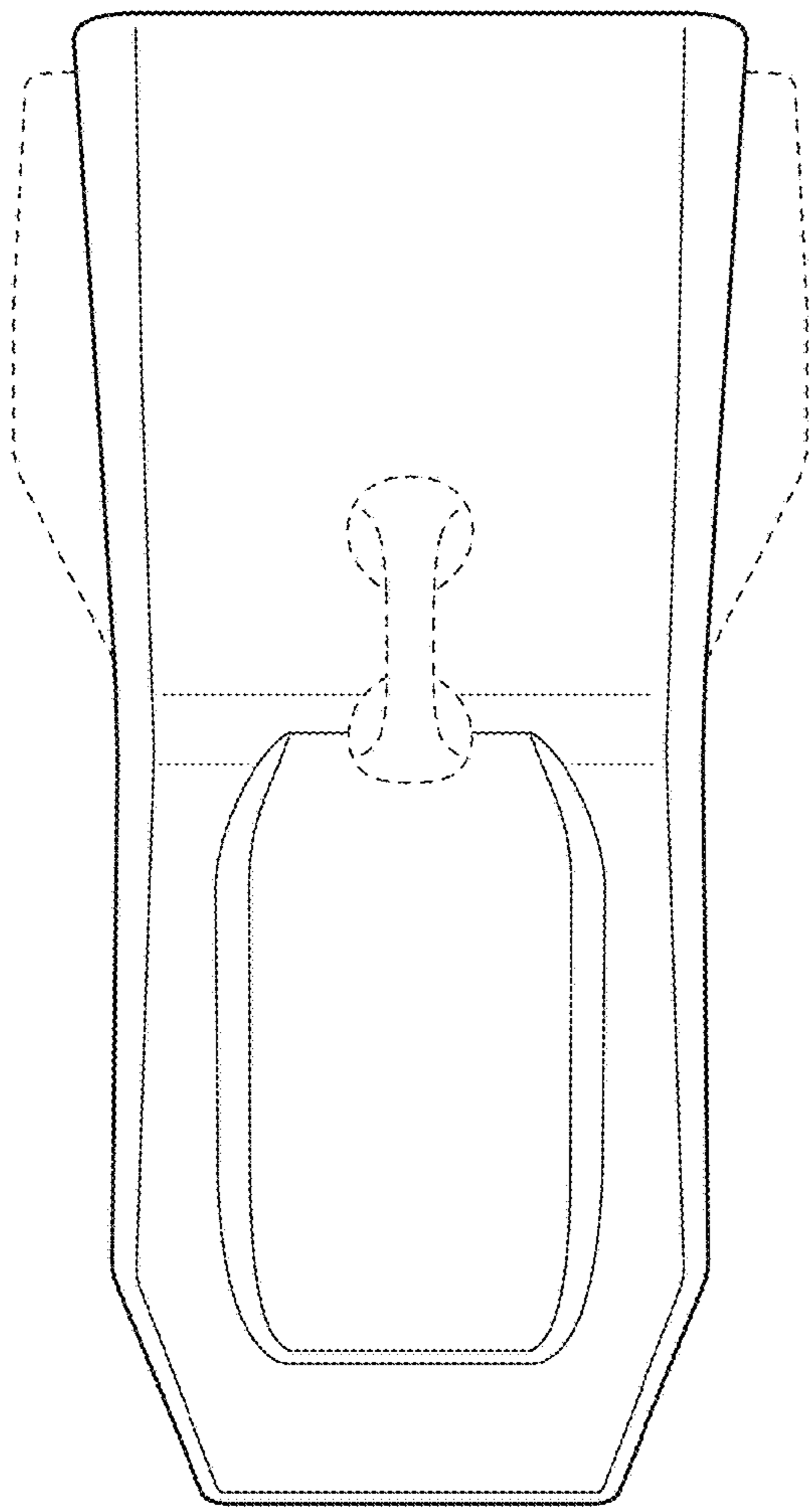


FIG. 20

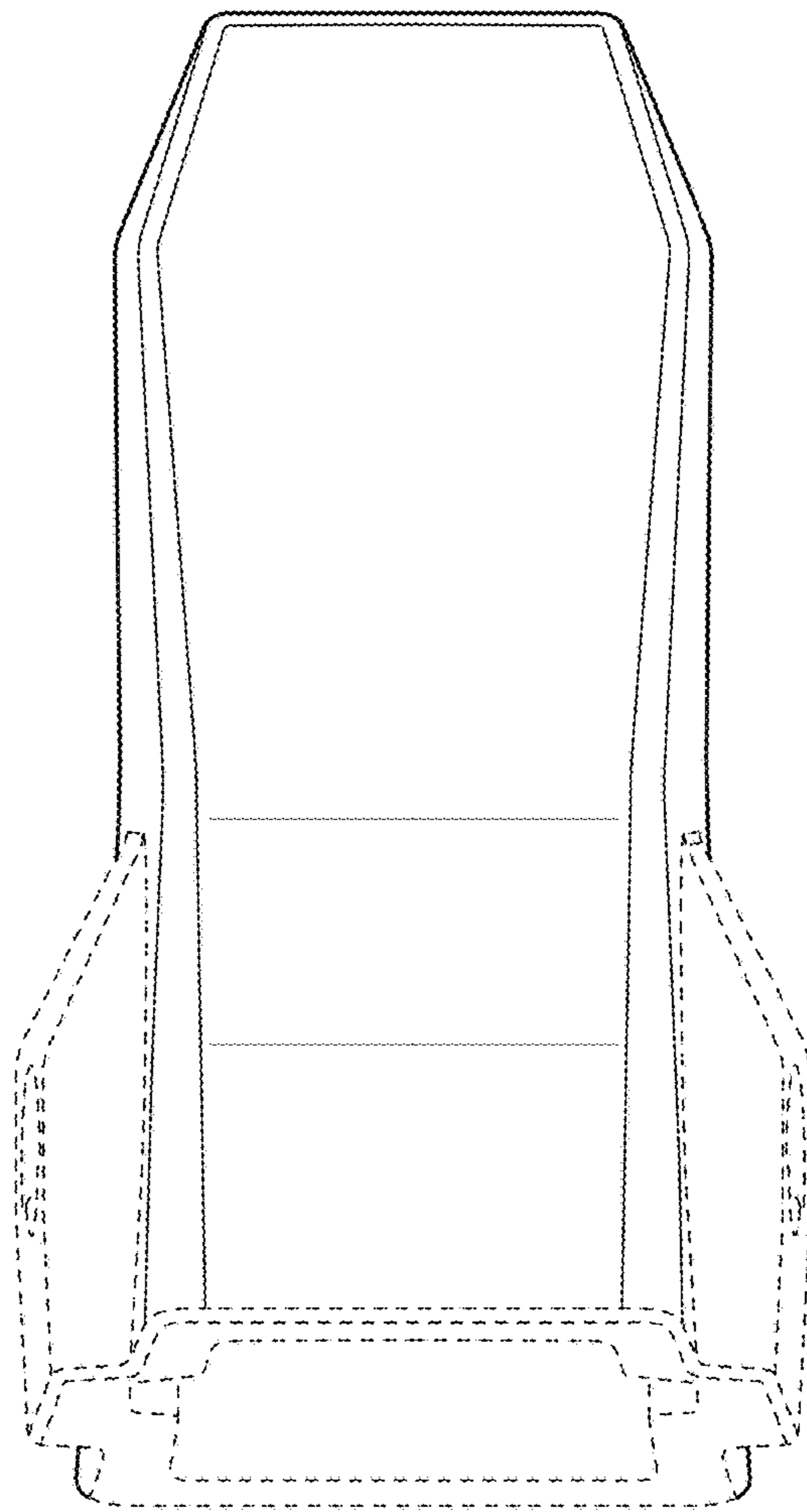


FIG. 21