



US00D790598S

(12) **United States Design Patent**
Furuki et al.

(10) **Patent No.: US D790,598 S**

(45) **Date of Patent: ** Jun. 27, 2017**

(54) **SKID STEER LOADER**

(56) **References Cited**

(71) Applicant: **Kubota Corporation**, Osaka, Osaka (JP)

U.S. PATENT DOCUMENTS

D251,088 S * 2/1979 Johnson D15/23
D314,389 S * 2/1991 Lynnes D15/25

(72) Inventors: **Taiki Furuki**, Sakai (JP); **Toshihiko Takemura**, Sakai (JP); **Yuji Yamashita**, Sakai (JP); **Ryohei Sumiyoshi**, Sakai (JP); **Toyoaki Yasuda**, Sakai (JP)

(Continued)

FOREIGN PATENT DOCUMENTS

(73) Assignee: **Kubota Corporation**, Osaka (JP)

CN 301048915 10/2009
JP 1352039 S 2/2009

(Continued)

(**) Term: **15 Years**

OTHER PUBLICATIONS

(21) Appl. No.: **29/620,144**

Catalog "Skid Steer Loaders Product Range", 2012 Bobcat, B 4474320-EN (12-12), DI CE—Dreve Richelle 167-B-1410 Waterloo, Belgium, total 12 pages.

(22) Filed: **Jul. 18, 2016**

(Continued)

Related U.S. Application Data

Primary Examiner — Mark Goodwin

(63) Continuation of application No. 29/474,464, filed on Sep. 26, 2014, now Pat. No. Des. 761,880.

(74) *Attorney, Agent, or Firm* — Masuvalley & Partners

(51) **LOC (10) Cl.** **15-03**

(57) **CLAIM**

(52) **U.S. Cl.**

The ornamental design for a skid steer loader, as shown and described.

USPC **D15/25**

DESCRIPTION

(58) **Field of Classification Search**

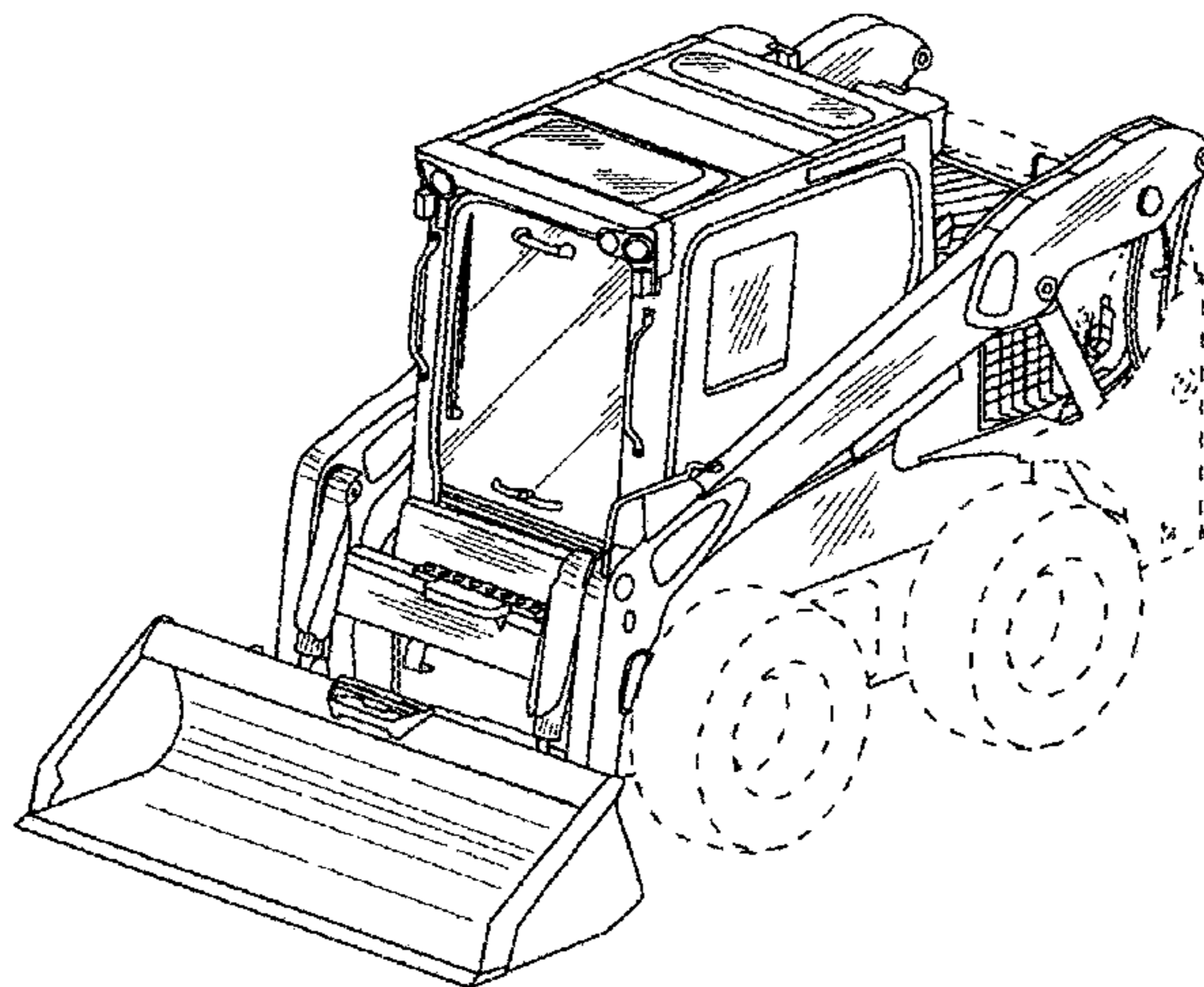
USPC D15/10, 17, 22–26, 28, 30; D12/192; D21/329; D34/28, 35; 74/491, 469, 74/471 R, 471 XY; 280/752; 296/1.09, 296/191, 153; 297/411.36, 217.3, 411.2, 297/411.21; 180/333, 315, 326, 332, 329, 180/331, 90, 334, 89.1, 89.12, 900; 414/685, 686

FIG. 1 is a perspective view of the skid steer loader according to the invention;
FIG. 2 is a front elevation view of the skid steer loader of FIG. 1;
FIG. 3 is a rear elevation view of the skid steer loader of FIG. 1;
FIG. 4 is a right side elevation view of the skid steer loader of FIG. 1;
FIG. 5 is a left side elevation view of the skid steer loader of FIG. 1; and,
FIG. 6 is a top plan view of the skid steer loader of FIG. 1. The broken line showing of the skid steer loader is for the purpose of illustrating portions of the skid steer loader and forms no part of the claimed design.

CPC E02F 3/3405; E02F 3/283; E02F 3/342; E02F 3/3414; E02F 3/38; E02F 3/00; E02F 9/166; E02F 9/163; A01G 23/006; B62D 33/0617; B62D 33/067

See application file for complete search history.

1 Claim, 6 Drawing Sheets



(56)

References Cited

U.S. PATENT DOCUMENTS

D317,926 S * 7/1991 Lynnes D15/23
D322,792 S * 12/1991 Park D15/25
5,240,366 A * 8/1993 Bamford B60K 20/00
212/261
D376,372 S * 12/1996 Little D15/23
5,775,438 A * 7/1998 Confoey E02F 3/815
172/811
D407,415 S * 3/1999 Flatau D15/28
D419,568 S * 1/2000 Baig D15/23
D423,521 S * 4/2000 Walter D15/23
D450,718 S * 11/2001 Muraro D15/25
D492,327 S 6/2004 Albright et al.
D504,136 S * 4/2005 Albright D15/23
D508,499 S 8/2005 Kurtz, Jr.
D570,379 S 6/2008 Kato
D572,276 S * 7/2008 Pinther D15/23
D572,277 S * 7/2008 Pinther D15/23
D583,834 S * 12/2008 Sugiyama D15/23
D583,835 S * 12/2008 Sugiyama D15/23
D600,721 S 9/2009 Shimomura et al.

D692,030 S 10/2013 Martin et al.
D692,031 S 10/2013 Martin et al.
2010/0003117 A1* 1/2010 Yamashita B62D 33/067
414/680

FOREIGN PATENT DOCUMENTS

JP 1353800 S 3/2009
JP 1353801 S 3/2009
JP 1353802 S 3/2009
JP 1353803 S 3/2009
JP 1371608 S 10/2009

OTHER PUBLICATIONS

Catalog "226D/232D/236D/242D/246D/262D Skid Steer Loaders",
2015 Caterpillar, AEHQ7212-01(Jul. 2015) Replaces AEHQ7212,
total 20 pages.
Catalog "Komatsu CK25-1/CK35-1 Skid Steer Loader",
WESS005300 Apr. 2006, total 8 pages.

* cited by examiner

FIG. 1

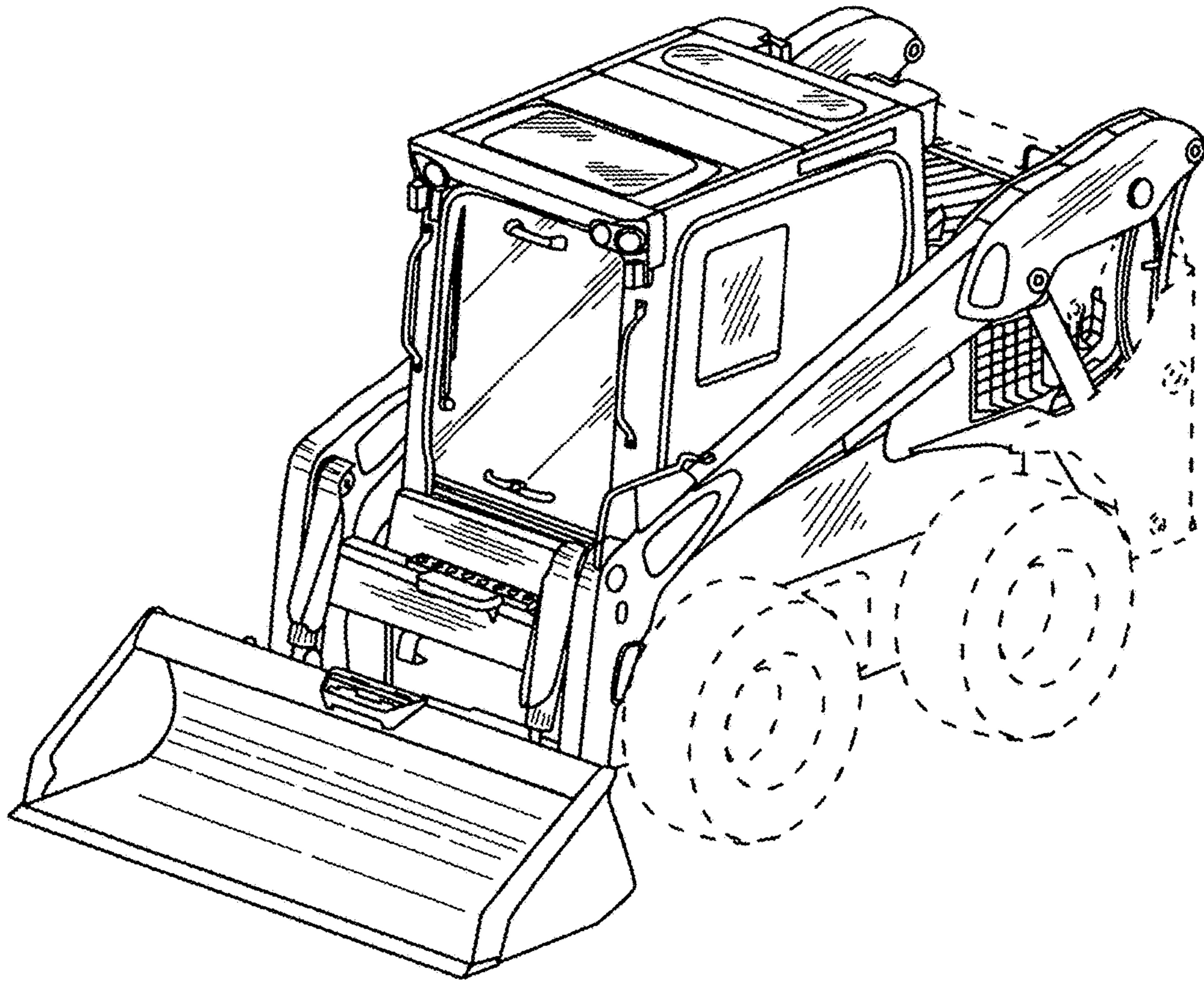


FIG. 2

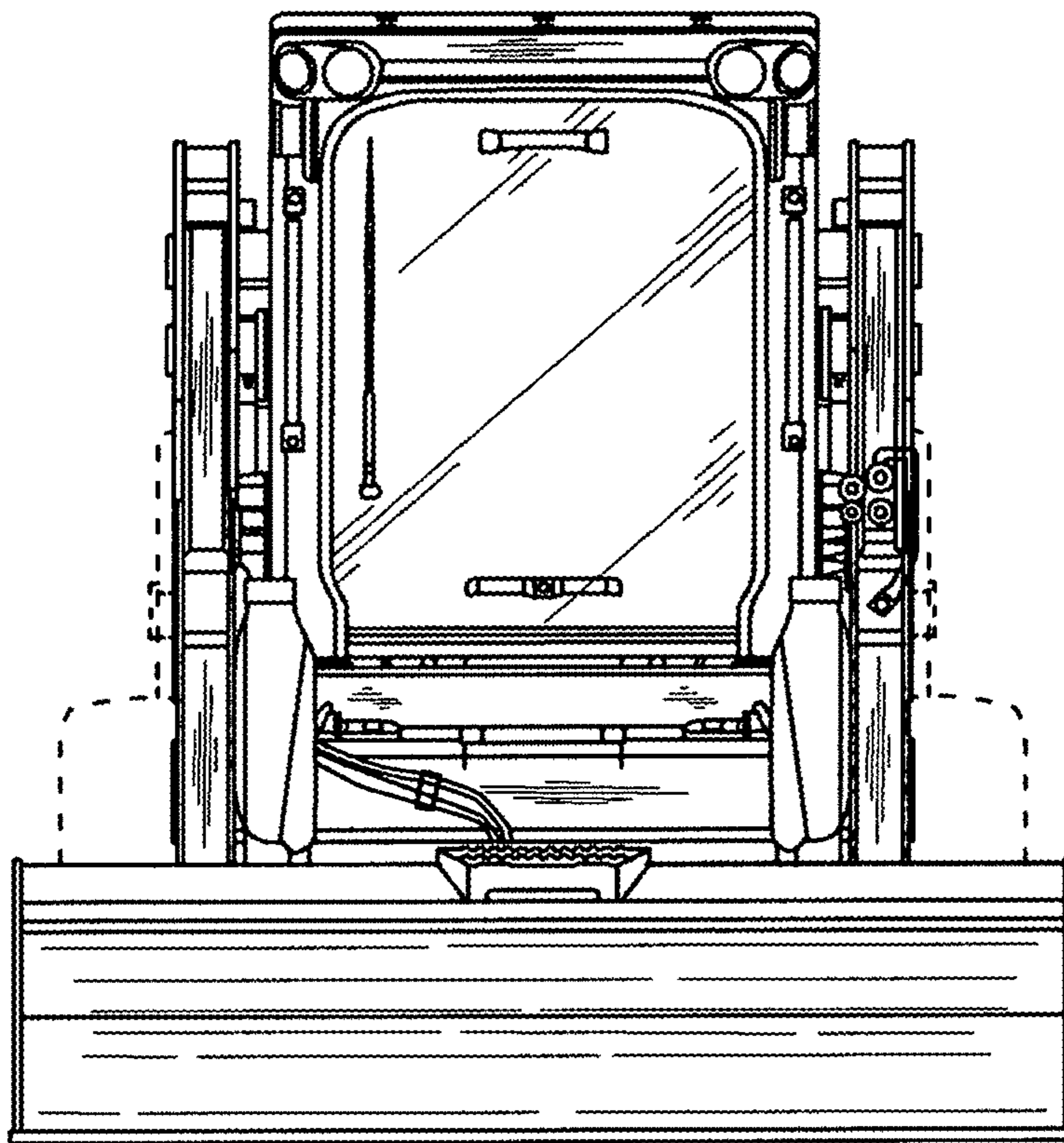


FIG. 3

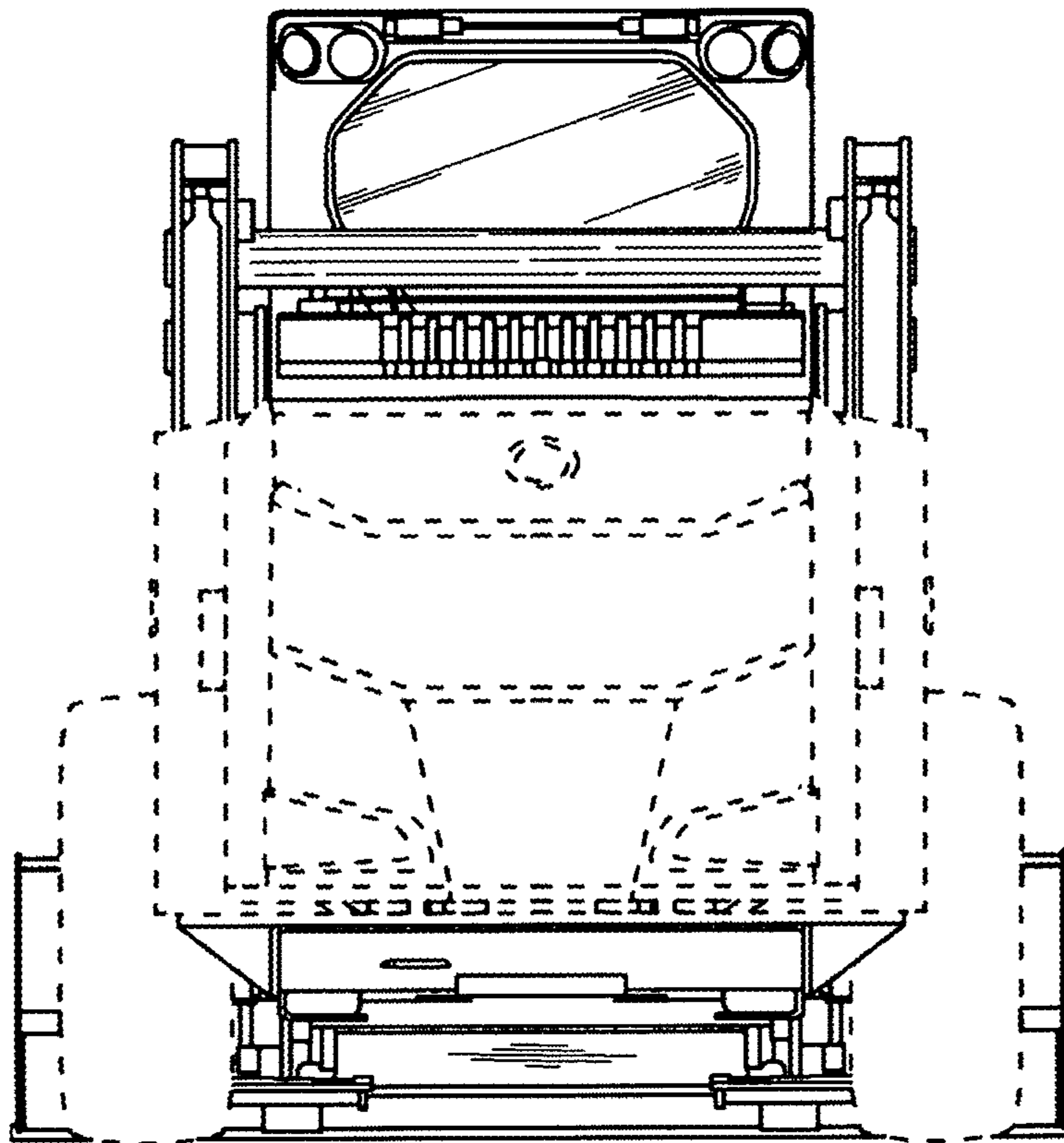


FIG. 4

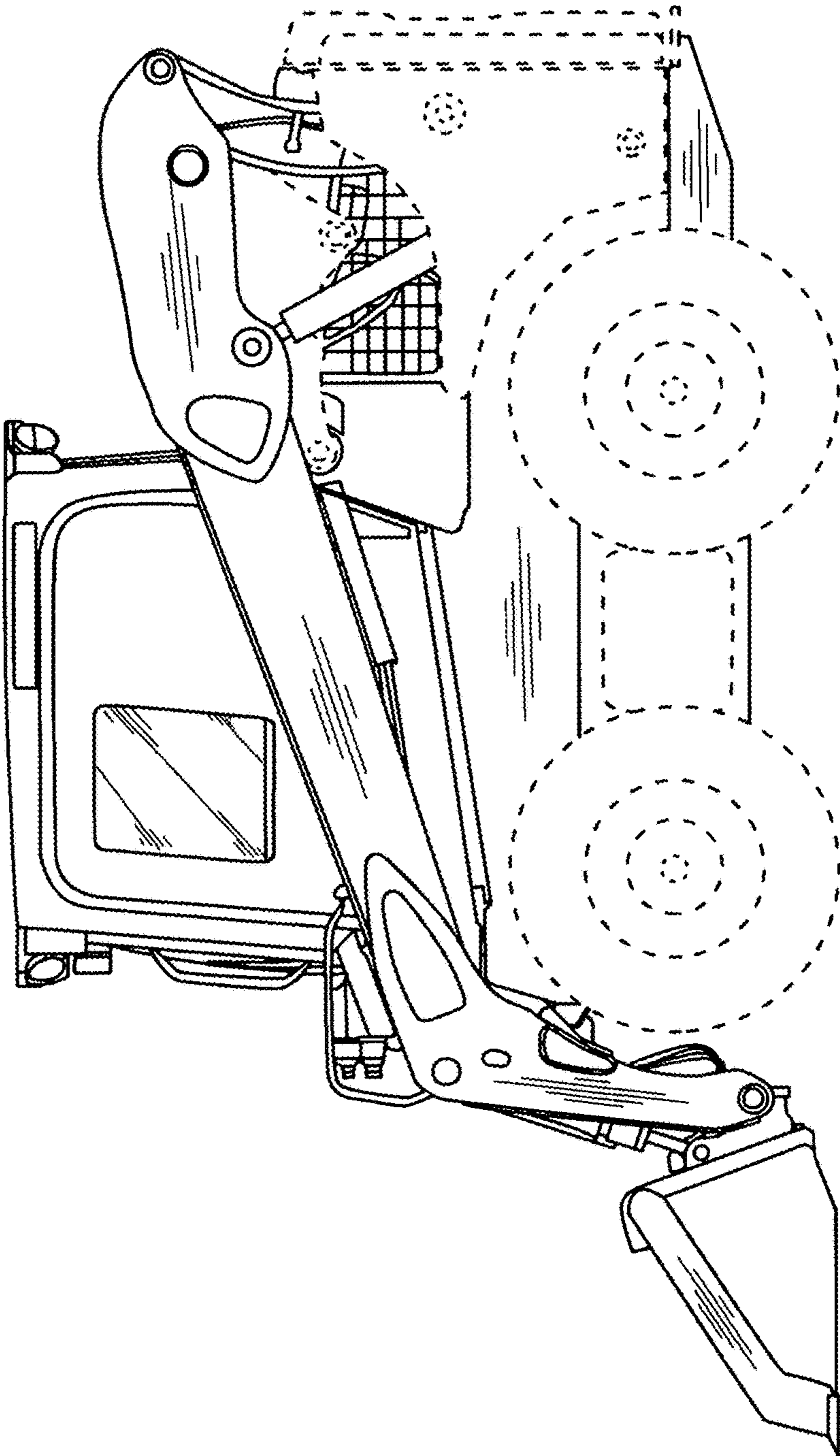


FIG. 5

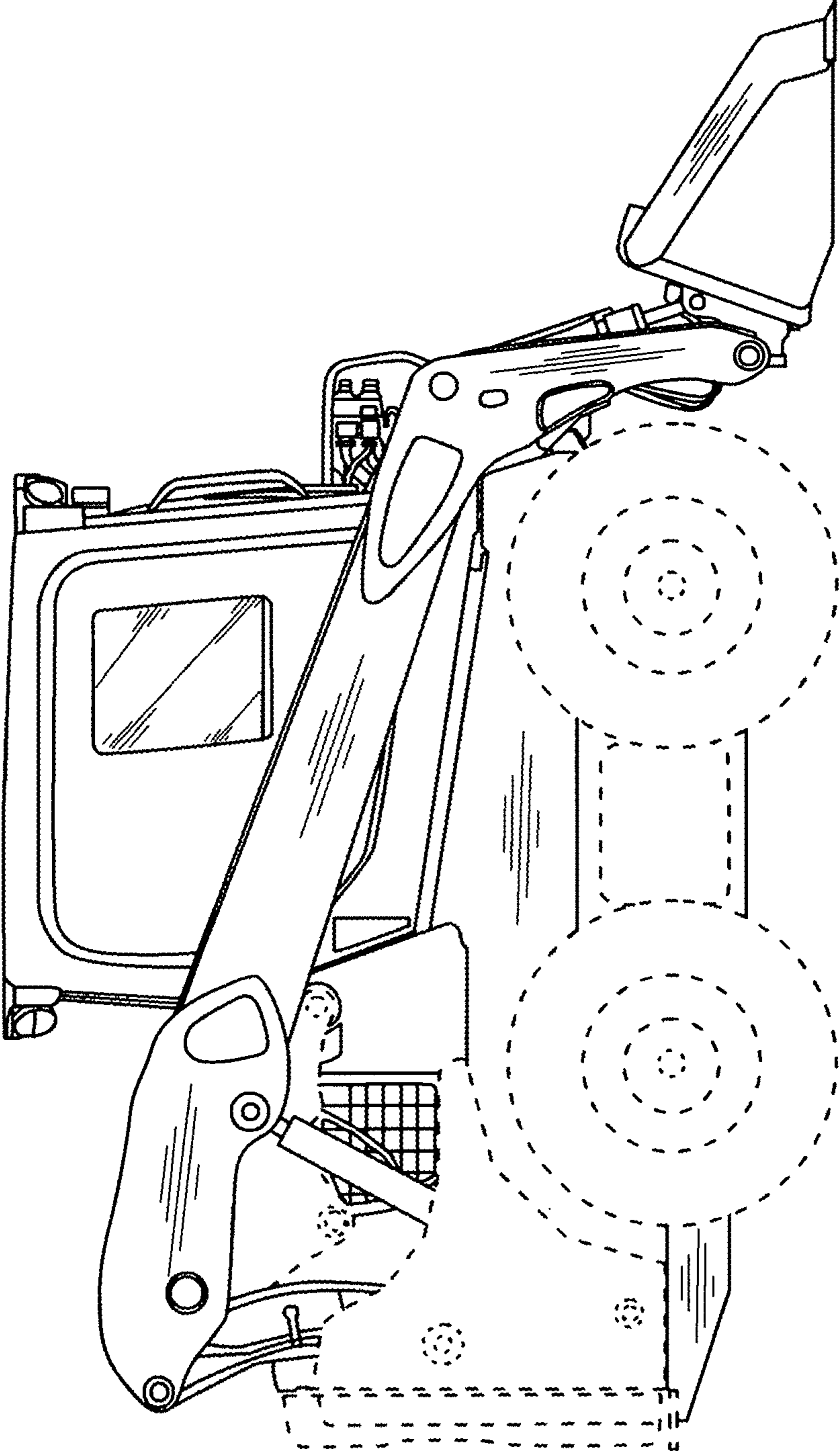


FIG. 6

