



US00D790571S

(12) **United States Design Patent**
Deusing et al.

(10) **Patent No.:** **US D790,571 S**

(45) **Date of Patent:** **** *Jun. 27, 2017**

(54) **DISPLAY SCREEN WITH GRAPHICAL USER INTERFACE**

(71) Applicant: **Rittal GmbH & Co. KG**, Herborn (DE)

(72) Inventors: **Marco Deusing**, Herborn (DE); **Verena Ariane Schneider**, Stein-Neukirch (DE)

(73) Assignee: **Rittal GmbH & Co. KG** (DE)

(*) Notice: This patent is subject to a terminal disclaimer.

(**) Term: **15 Years**

(21) Appl. No.: **29/542,191**

(22) Filed: **Oct. 12, 2015**

(30) **Foreign Application Priority Data**

Apr. 10, 2015 (EP) 2679324-0001-0012

(51) **LOC (10) Cl.** **14-04**

(52) **U.S. Cl.**
USPC **D14/486**; D14/493

(58) **Field of Classification Search**
USPC D14/485-495
CPC G06F 3/01; G06F 3/0481; G06F 3/0482;
G06F 3/0483; G06F 3/0484
See application file for complete search history.

(56) **References Cited**

U.S. PATENT DOCUMENTS

D496,940 S *	10/2004	Fetterman	D14/485
D687,043 S *	7/2013	Matas	D14/485
D687,057 S *	7/2013	Plitkins	D14/488
D687,059 S *	7/2013	Bruck	D14/488
D687,851 S *	8/2013	Sloo	D14/487
D690,322 S *	9/2013	Matas	D14/492
D696,677 S *	12/2013	Corcoran	D14/486
D697,519 S *	1/2014	Thomsen	D14/485

(Continued)

Primary Examiner — Darlington Ly

Assistant Examiner — Daniel J Domino

(74) *Attorney, Agent, or Firm* — Polsinelli PC

(57) **CLAIM**

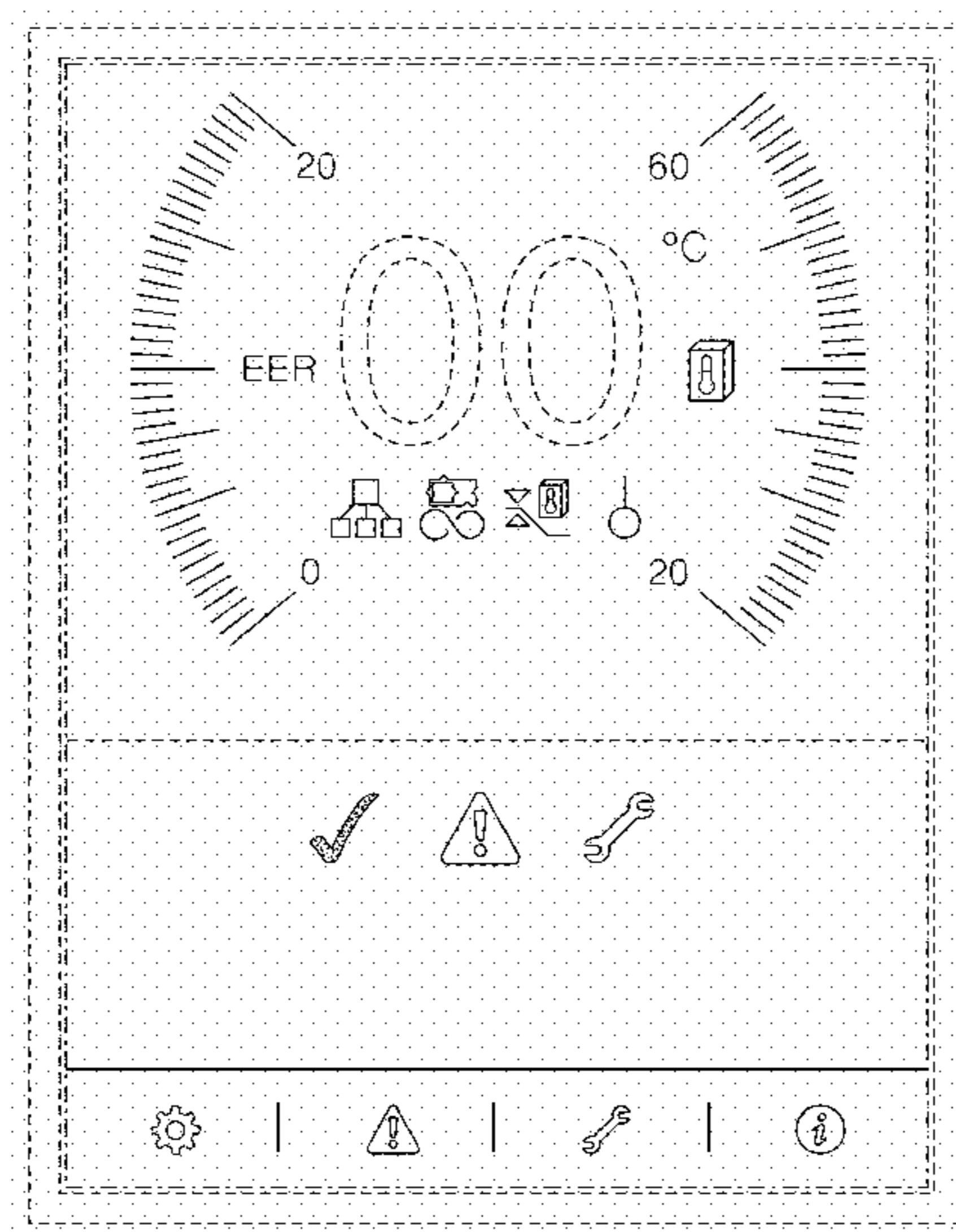
The ornamental design for a display screen with graphical user interface, as shown and described.

DESCRIPTION

FIG. 1 is a front view of a first embodiment of the display screen with graphical user interface; FIG. 2 is a front view of a second embodiment of the display screen with graphical user interface; FIG. 3 is a front view of a third embodiment of the display screen with graphical user interface; FIG. 4 is a front view of a fourth embodiment of the display screen with graphical user interface; FIG. 5 is a front view of a fifth embodiment of the display screen with graphical user interface; FIG. 6 is a front view of a sixth embodiment of the display screen with graphical user interface; FIG. 7 is a front view of a seventh embodiment of the display screen with graphical user interface; and, FIG. 8 is a front view of an eighth embodiment of the display screen with graphical user interface.

The outermost double broken lines showing an electronic device are provided for the purposes of illustrating environmental structure. Additionally, the dash-dot broken lines showing a display screen and the even broken lines within showing features of the graphical user interface are provided for the purpose of illustrating portions of the article. The environmental subject matter and portions of the article represented between the aforementioned broken lines do not form part of the claimed design. In FIGS. 2, 4, 6 and 8, the drawing is lined for the color gray and pink. Specifically, the hatch pattern consisting of horizontal broken lines is lined for the color gray; whereas the hatch pattern consisting of vertical solid lines is lined for the color pink.

1 Claim, 8 Drawing Sheets



(56)

References Cited

U.S. PATENT DOCUMENTS

D701,226	S	*	3/2014	Jung	D14/486
D701,515	S	*	3/2014	Matas	D14/486
D701,869	S	*	4/2014	Matas	D14/486
D706,827	S	*	6/2014	Harre	D14/492
D707,708	S	*	6/2014	Harre	D14/492
D719,175	S	*	12/2014	Nguyen	D14/485
D730,372	S	*	5/2015	Mariet	D14/486
D742,897	S	*	11/2015	Matas	D14/485
D742,898	S	*	11/2015	Matas	D14/485
D744,529	S	*	12/2015	Guzman	D14/489
D750,655	S	*	3/2016	Kim	D14/486
D751,574	S	*	3/2016	Forsblom	D14/485
D752,613	S	*	3/2016	Utsugida	D14/486
D752,623	S	*	3/2016	Dye	D14/486
D752,637	S	*	3/2016	Yun	D14/489
D753,678	S	*	4/2016	Clarke	D14/485
D753,684	S	*	4/2016	Rahn	D14/486
D753,696	S	*	4/2016	Dye	D14/486
D753,722	S	*	4/2016	Mariet	D14/491
D754,189	S	*	4/2016	Mariet	D14/489
D754,190	S	*	4/2016	Mariet	D14/489
D755,240	S	*	5/2016	Cavander	D14/494
D757,757	S	*	5/2016	Jung	D14/485
D763,308	S	*	8/2016	Wang	D14/486
D763,865	S	*	8/2016	Zhu	D14/485
D763,868	S	*	8/2016	Lee	D14/485
D764,490	S	*	8/2016	O'Shea	D14/485
D764,491	S	*	8/2016	Green	D14/485
D764,549	S	*	8/2016	Cavander	D14/494
D765,683	S	*	9/2016	Peng	D14/486

* cited by examiner

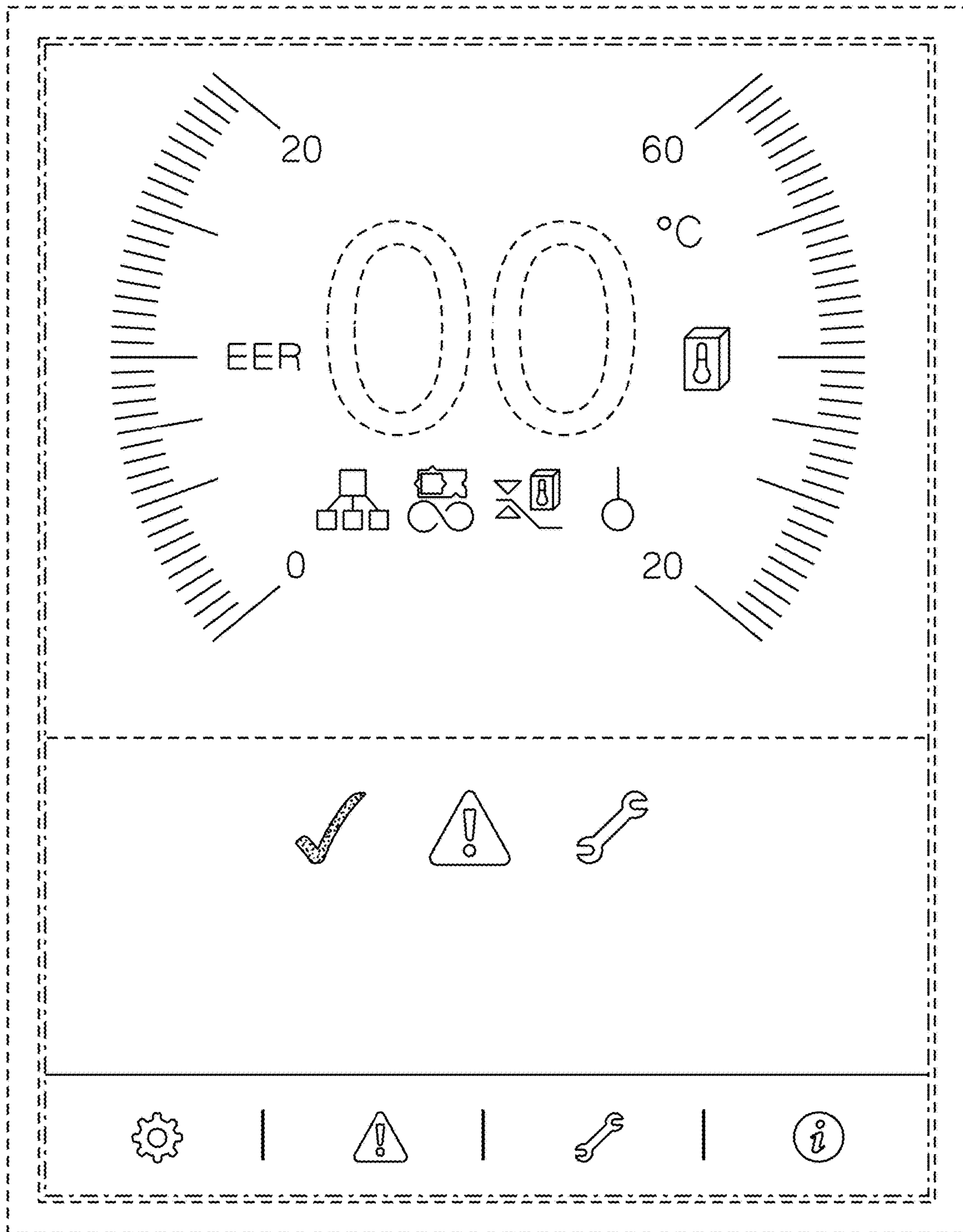


FIG. 1

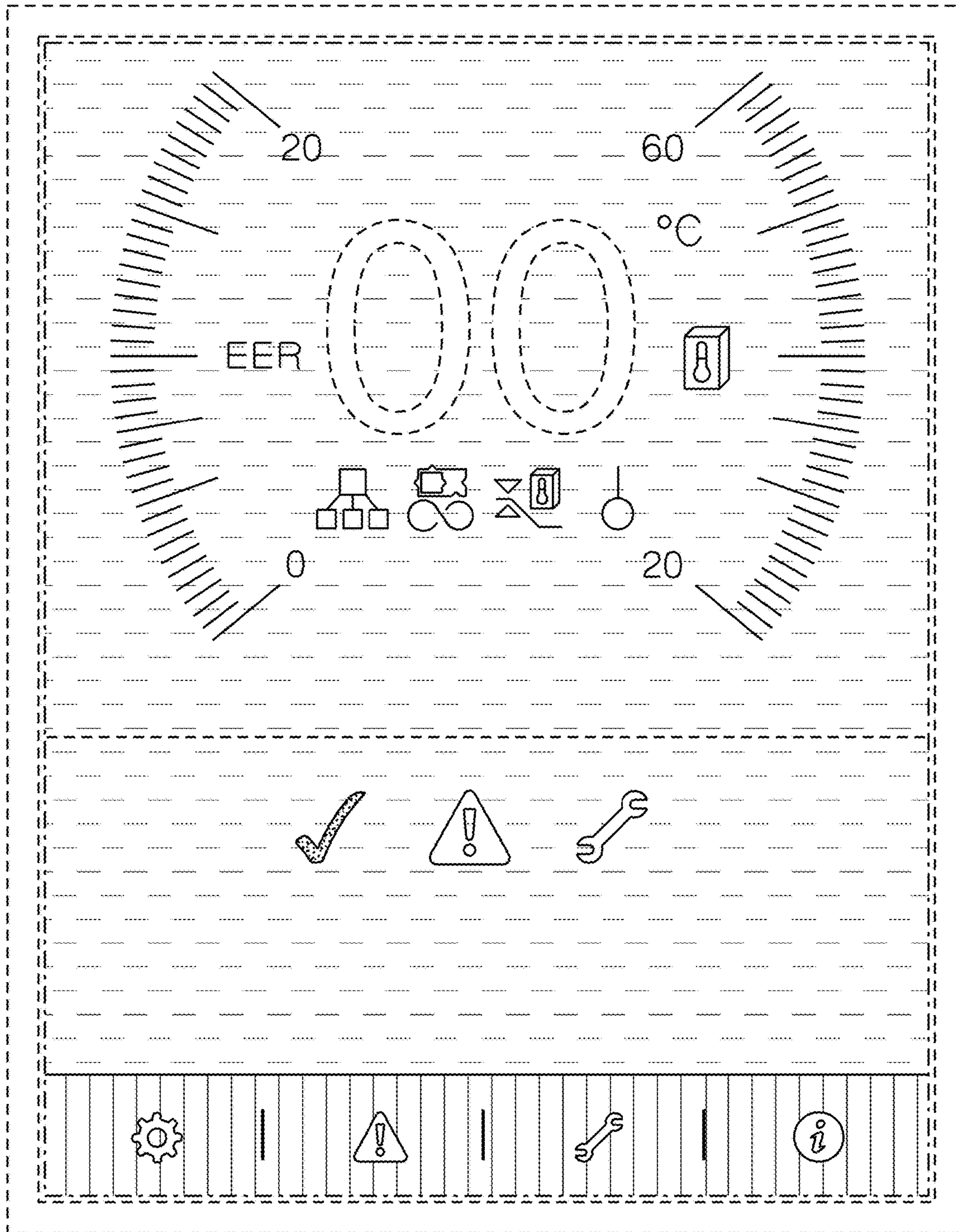


FIG. 2

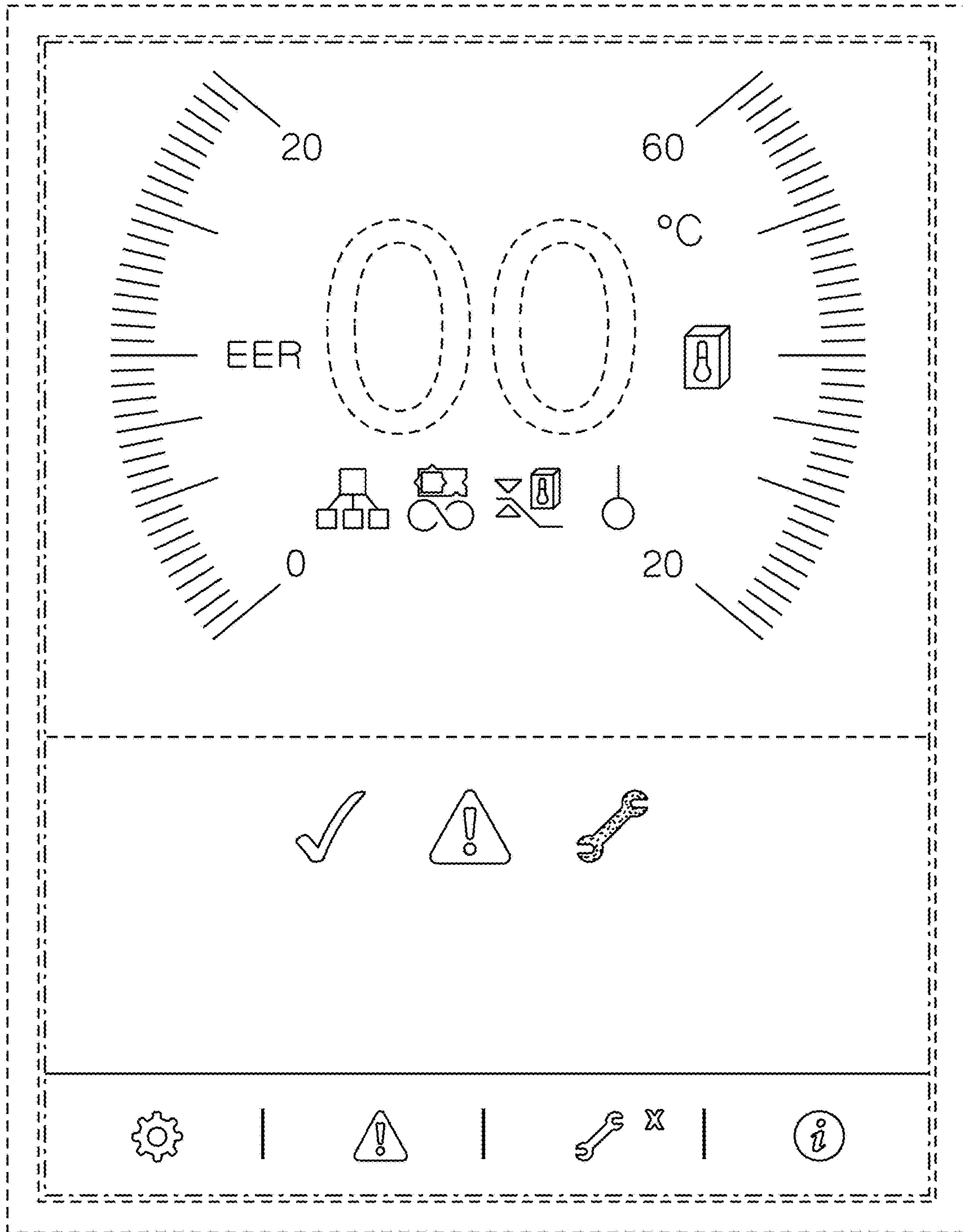


FIG. 3

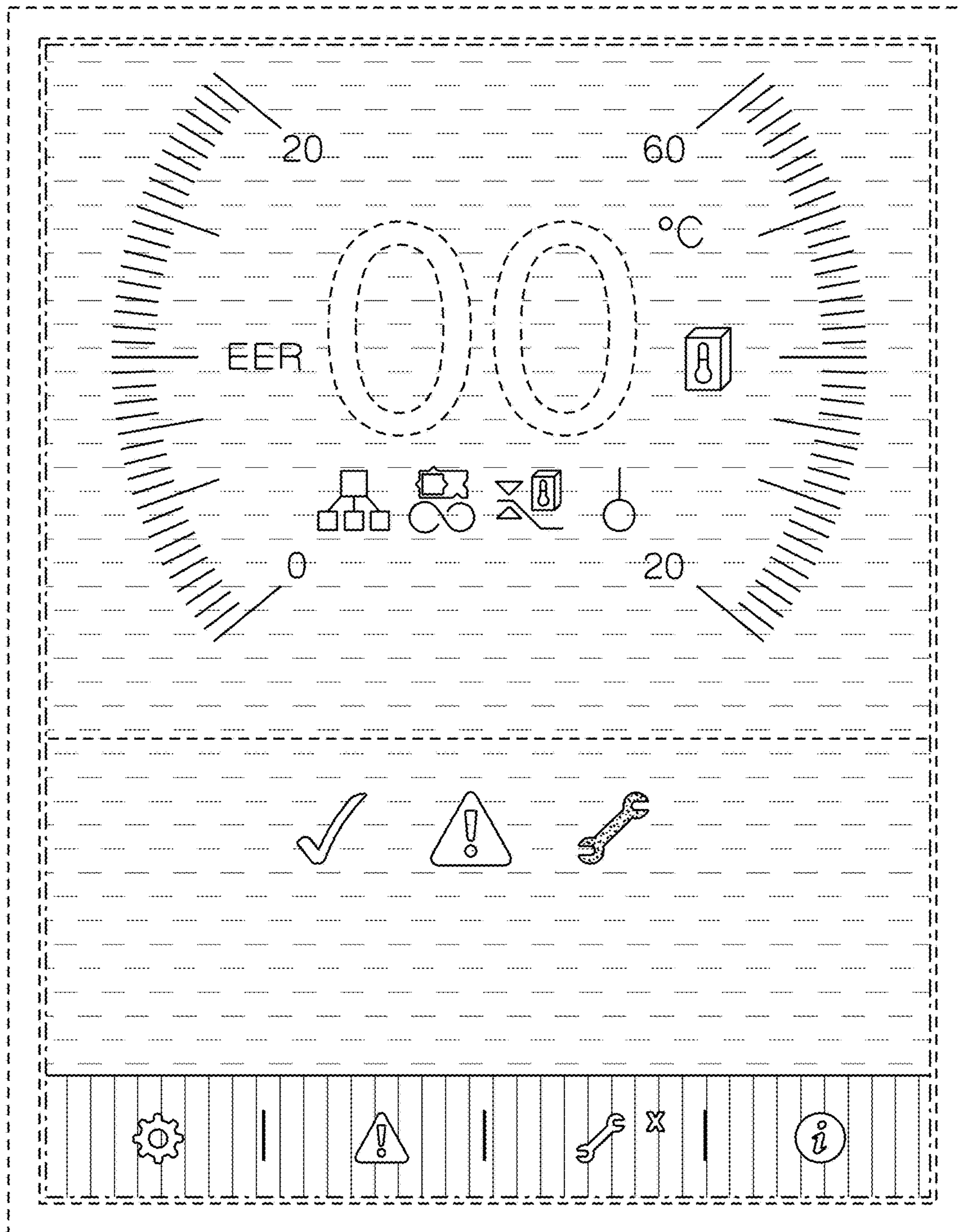


FIG. 4

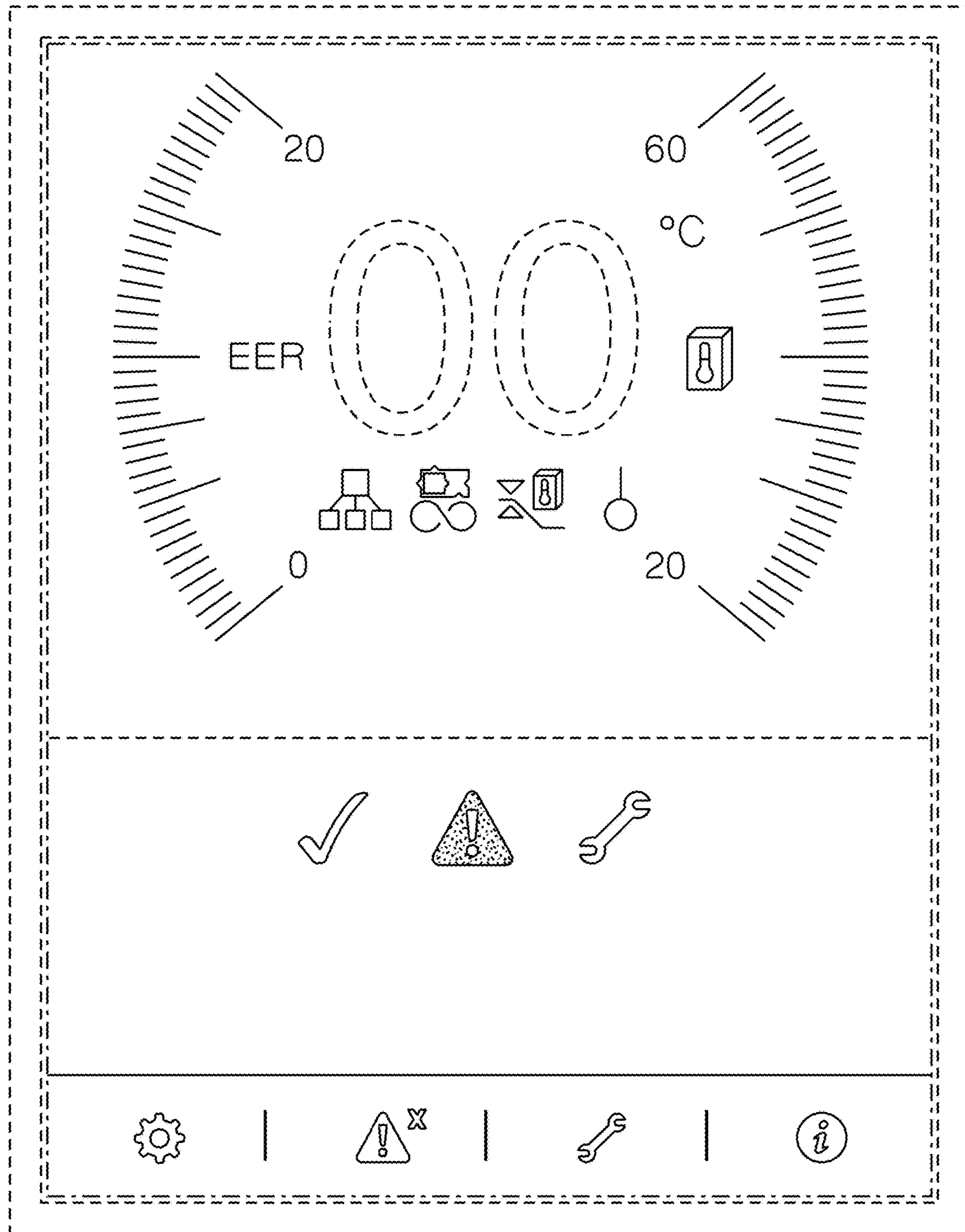


FIG. 5

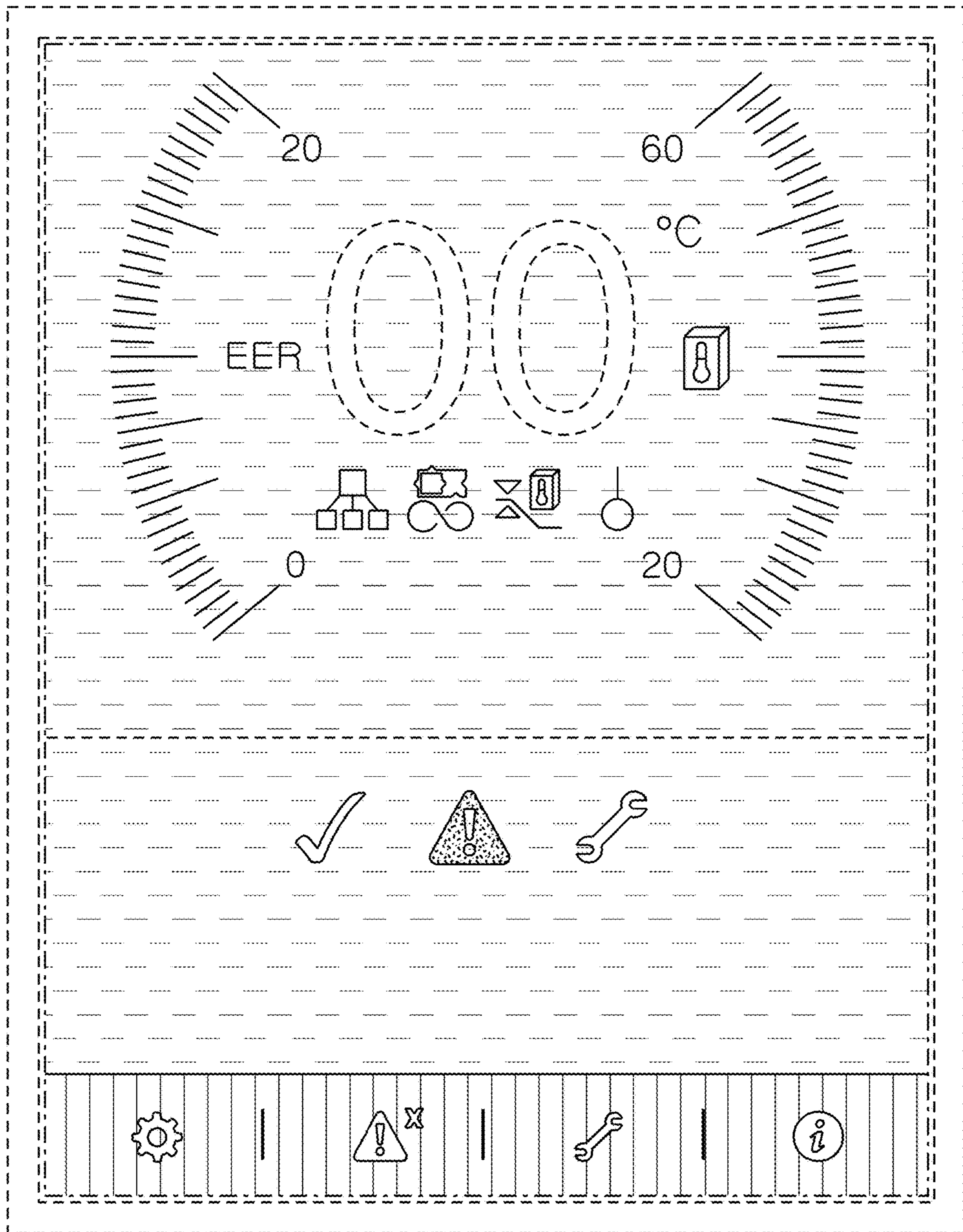


FIG. 6

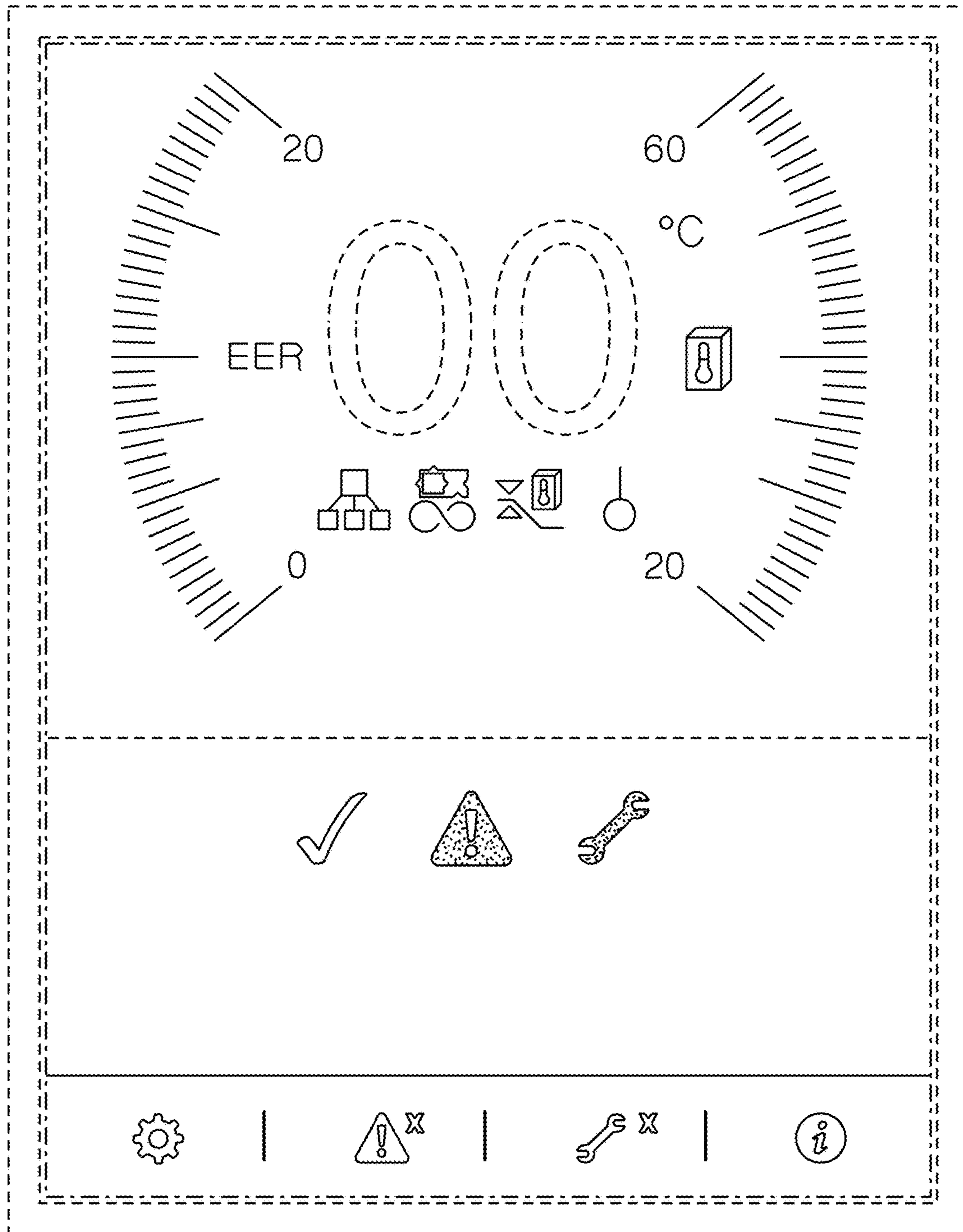


FIG. 7

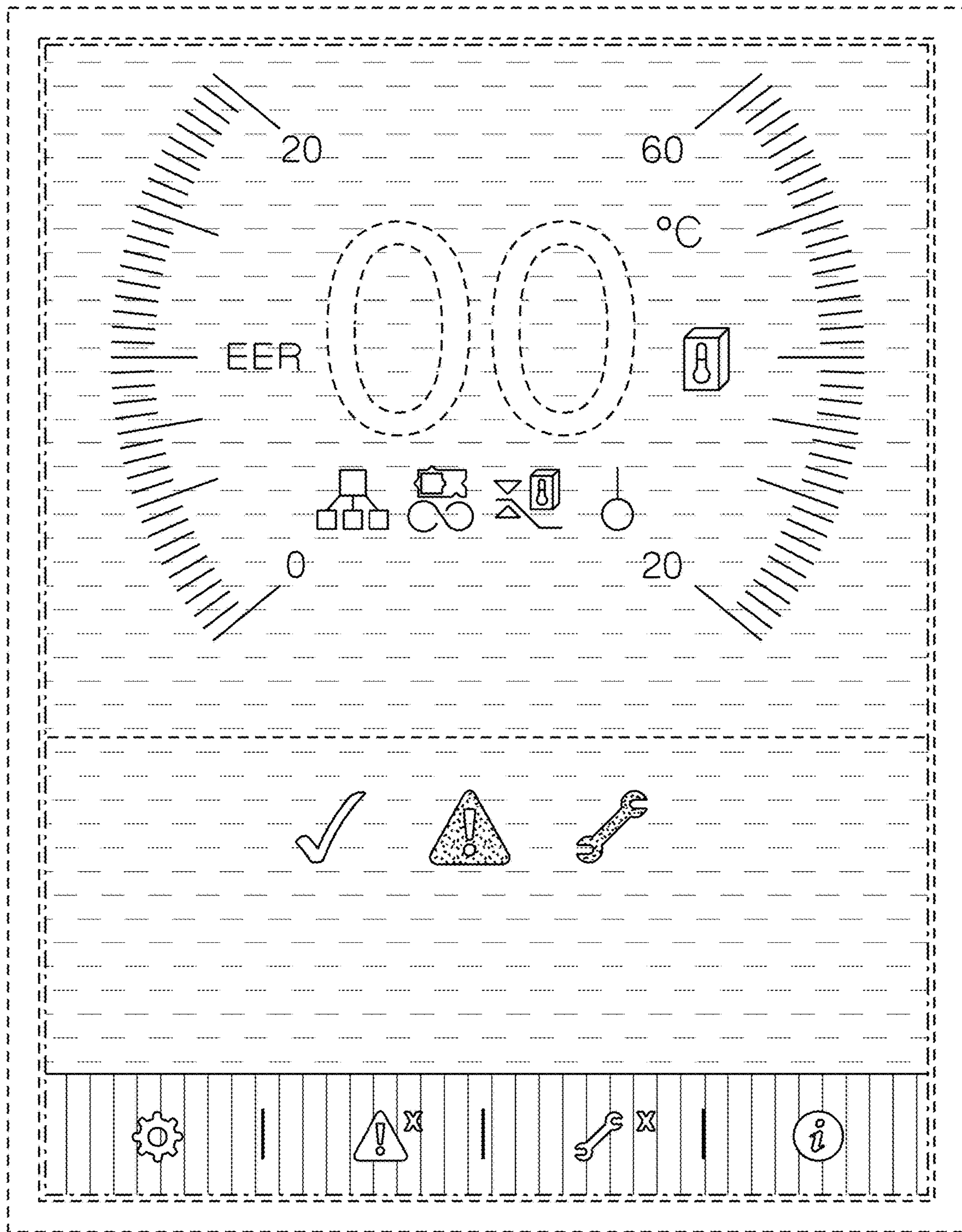


FIG. 8