

US00D790562S

(12) **United States Design Patent** (10) **Patent No.:** **US D790,562 S**  
**Nageli et al.** (45) **Date of Patent:** **\*\* Jun. 27, 2017**

(54) **DISPLAY SCREEN OR PORTION THEREOF WITH GRAPHICAL USER INTERFACE**

(71) Applicant: **Harman International Industries, Incorporated**, Northridge, CA (US)

(72) Inventors: **Shawn Nageli**, South Jordan, UT (US); **Iain Gregory**, Cleveland, OH (US)

(73) Assignee: **Harman International Industries, Incorporated**, Northridge, CA (US)

(\*\*) Term: **15 Years**

(21) Appl. No.: **29/569,088**

(22) Filed: **Jun. 23, 2016**

**Related U.S. Application Data**

(63) Continuation-in-part of application No. 29/493,865, filed on Jun. 13, 2014, now abandoned.

(51) **LOC (10) Cl.** ..... **14-04**

(52) **U.S. Cl.**  
USPC ..... **D14/485**

(58) **Field of Classification Search**  
USPC ..... D13/162, 164, 171, 177; D14/203.4, D14/218, 485-95, 497; 307/112; 345/170; 362/85; 715/700-867  
CPC . G06F 3/0481; G06F 3/04842; G06F 3/04845  
See application file for complete search history.

(56) **References Cited**

**U.S. PATENT DOCUMENTS**

- 5,637,930 A \* 6/1997 Rowen ..... H01H 3/0213 307/112
- D539,814 S \* 4/2007 Andre ..... D14/203.3
- D551,215 S \* 9/2007 Lee, Jr. .... D14/218
- D595,240 S \* 6/2009 Busbridge ..... D13/164
- 7,574,672 B2 \* 8/2009 Jobs ..... G06F 3/0236 345/156
- D633,874 S \* 3/2011 Feldstein ..... D13/164
- D635,102 S \* 3/2011 Tsui ..... D13/171

- 8,102,375 B1 \* 1/2012 Feldstein ..... G06F 3/02 341/23
- D661,701 S \* 6/2012 Brown ..... D14/486
- D675,640 S \* 2/2013 Frost ..... D14/488
- D692,022 S \* 10/2013 Abratowski ..... D14/489
- D704,167 S \* 5/2014 Akana ..... D14/218
- D706,732 S \* 6/2014 Altonen ..... D13/177
- D709,917 S \* 7/2014 Faulkner ..... D14/494
- D719,107 S \* 12/2014 Clymer ..... D13/162
- D725,633 S \* 3/2015 Sung ..... D14/218

(Continued)

**OTHER PUBLICATIONS**

BSS Audio | SS Audio Introduces Soundweb, posted on Jun. 19, 2014, © 2016 Harman [online], [site visited Dec. 15, 2016]. Available from Internet, <URL: <http://bssaudio.com/en/news/bss-bss-audio-introduces-soundweb-contrio-wall-controllers-providing-enhanced-system-functionality-for-end-users-in-variety-of-applications>>.\*

(Continued)

*Primary Examiner* — Philip S Hyder

*Assistant Examiner* — Cary M Robinson

(74) *Attorney, Agent, or Firm* — Plumsea Law Group, LLC

(57) **CLAIM**

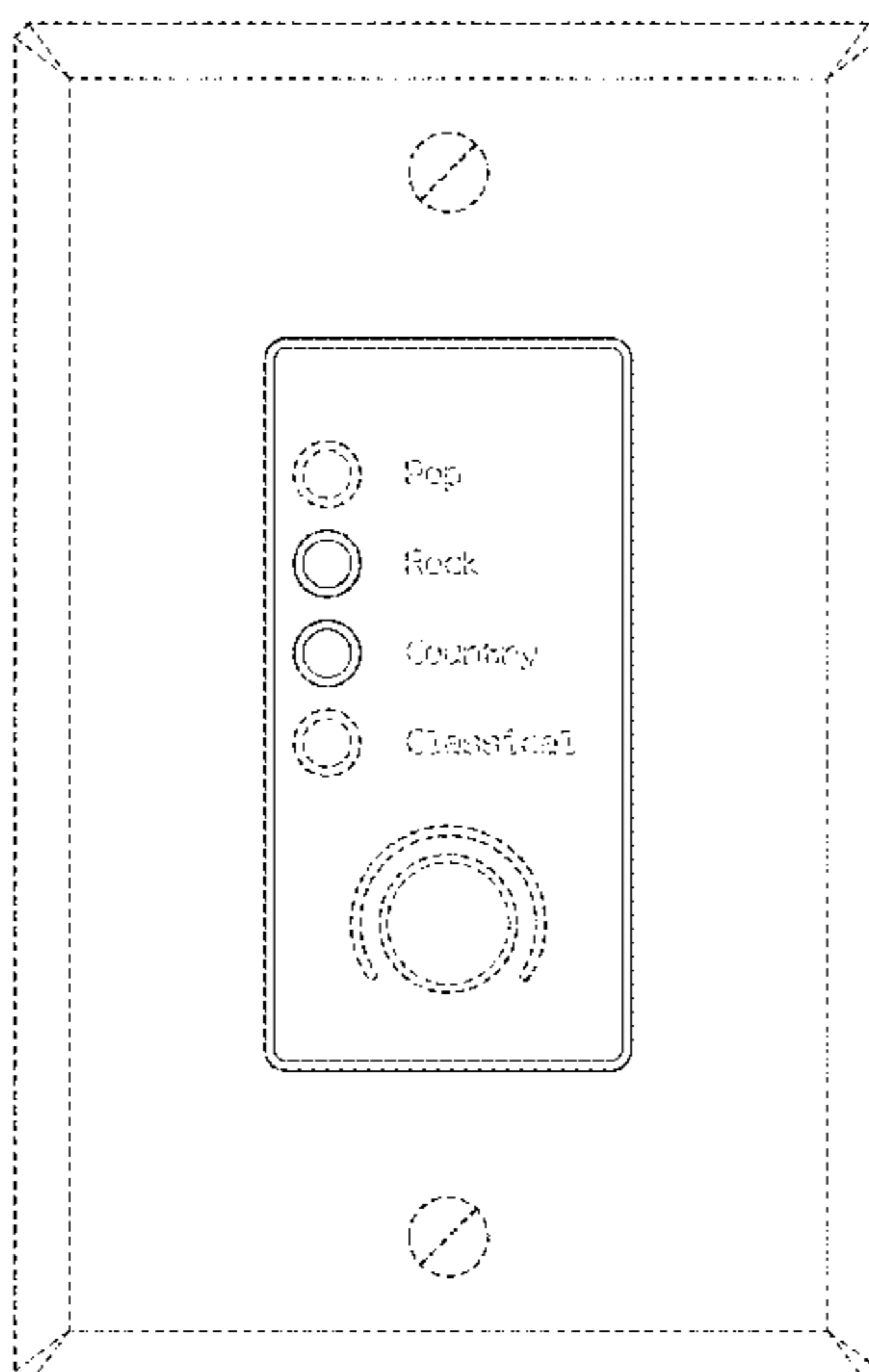
The ornamental design for a display screen or portion thereof with graphical user interface, as shown and described.

**DESCRIPTION**

The FIGURE is a front elevational view of a display screen or portion thereof with graphical user interface showing our new design.

The outermost broken lines in the FIGURE show a display screen or portion thereof, and form no part of the claimed design. The broken line showings of the other indicia, elements and remainder of the display screen form no part of the claimed design.

**1 Claim, 1 Drawing Sheet**



(56)

**References Cited**

## U.S. PATENT DOCUMENTS

D736,717 S \* 8/2015 Duffy ..... D13/162  
D754,689 S \* 4/2016 Lee ..... D14/486  
D754,690 S \* 4/2016 Park ..... D14/486  
D761,802 S \* 7/2016 Moon ..... D14/485  
D763,894 S \* 8/2016 Lamparelli ..... D14/486  
D763,907 S \* 8/2016 Lee ..... D14/489  
D763,916 S \* 8/2016 Um ..... D14/489  
D764,489 S \* 8/2016 Stifelman ..... D14/485  
D764,497 S \* 8/2016 Seo ..... D14/485  
D766,271 S \* 9/2016 Lau ..... D14/485  
D770,517 S \* 11/2016 Peng ..... D14/486  
2008/0316730 A1 \* 12/2008 Diederiks ..... G06F 3/0481  
362/85

## OTHER PUBLICATIONS

EvDose | Electronics | Smart Home Technology, p. last updated on Apr. 19, 2008, © 2001-2010 EvDose.com, [online], [site visited Dec. 15, 2016]. Available from Internet, <URL: [http://www.evdose.com/tur/elektronik/akilli\\_ev/eleaki0050.html](http://www.evdose.com/tur/elektronik/akilli_ev/eleaki0050.html)>.\*

Full Compass | Products | Lowell KL100-DSB 100W Auto-Trans Single-Gang Keylock Volume Control Attenuator (Steel/Black), posted on Aug. 22, 2004, © 2016 Harman [online], [site visited Dec. 15, 2016]. Available from Internet, <URL: <http://www.fullcompass.com/prod/138183-Lowell-KL100-DSB>>.\*

Haiku Home | Haiku Wall Control, page last updated Jan. 5, 2016, © 2015 Delta T Corporation dba Haiku Home [online], [site visited Dec. 15, 2016]. Available from Internet, <URL: <https://www.haikuhome.com/wall-control-wifi-module>>.\*

Trademark Serial No. 86718843, Aug. 7, 2015 (filing date), (Applicant) AK Globaltech Corp. Corporation New Jersey.\*

\* cited by examiner

