



US00D790556S

(12) **United States Design Patent**
Heath et al.

(10) **Patent No.:** **US D790,556 S**

(45) **Date of Patent:** **** Jun. 27, 2017**

(54) **REMOVABLE POWER AND DATA STORAGE
MODULE FOR A DIGITAL VIDEO CAMERA**

(71) Applicant: **TomTom International B.V.**,
Amsterdam (NL)

(72) Inventors: **Jonathan Heath**, Barnet (GB); **Martin
Riddiford**, London (GB)

(73) Assignee: **TomTom International B.V.**,
Amsterdam (NL)

(**) Term: **15 Years**

(21) Appl. No.: **29/543,953**

(22) Filed: **Oct. 29, 2015**

(51) **LOC (10) Cl.** **14-03**

(52) **U.S. Cl.**
USPC **D14/480.3**

(58) **Field of Classification Search**
USPC D14/435.1, 480.1–480.7, 411, 433, 436,
D14/484.1, 137, 155, 203.1–203.8, 240,
D14/242; D13/133, 154, 144
CPC H05K 5/0278; G06K 19/07732
See application file for complete search history.

(56) **References Cited**

U.S. PATENT DOCUMENTS

D494,969 S * 8/2004 Lin D14/480.7
D512,965 S * 12/2005 Dobler D13/146

D527,734 S * 9/2006 Lee D14/480.5
D538,223 S * 3/2007 Yang D13/107
D575,288 S * 8/2008 Chen D14/432
D587,202 S * 2/2009 Dobler D13/133
D702,246 S * 4/2014 Hoffart D14/480.1
D705,719 S * 5/2014 Wong D13/103
D722,763 S * 2/2015 Dandachli D14/435.1
D735,701 S * 8/2015 Maxam D14/240
D737,771 S * 9/2015 Hofmann D13/133
D751,283 S * 3/2016 Dandachli D14/435.1

* cited by examiner

Primary Examiner — Angela J Lee

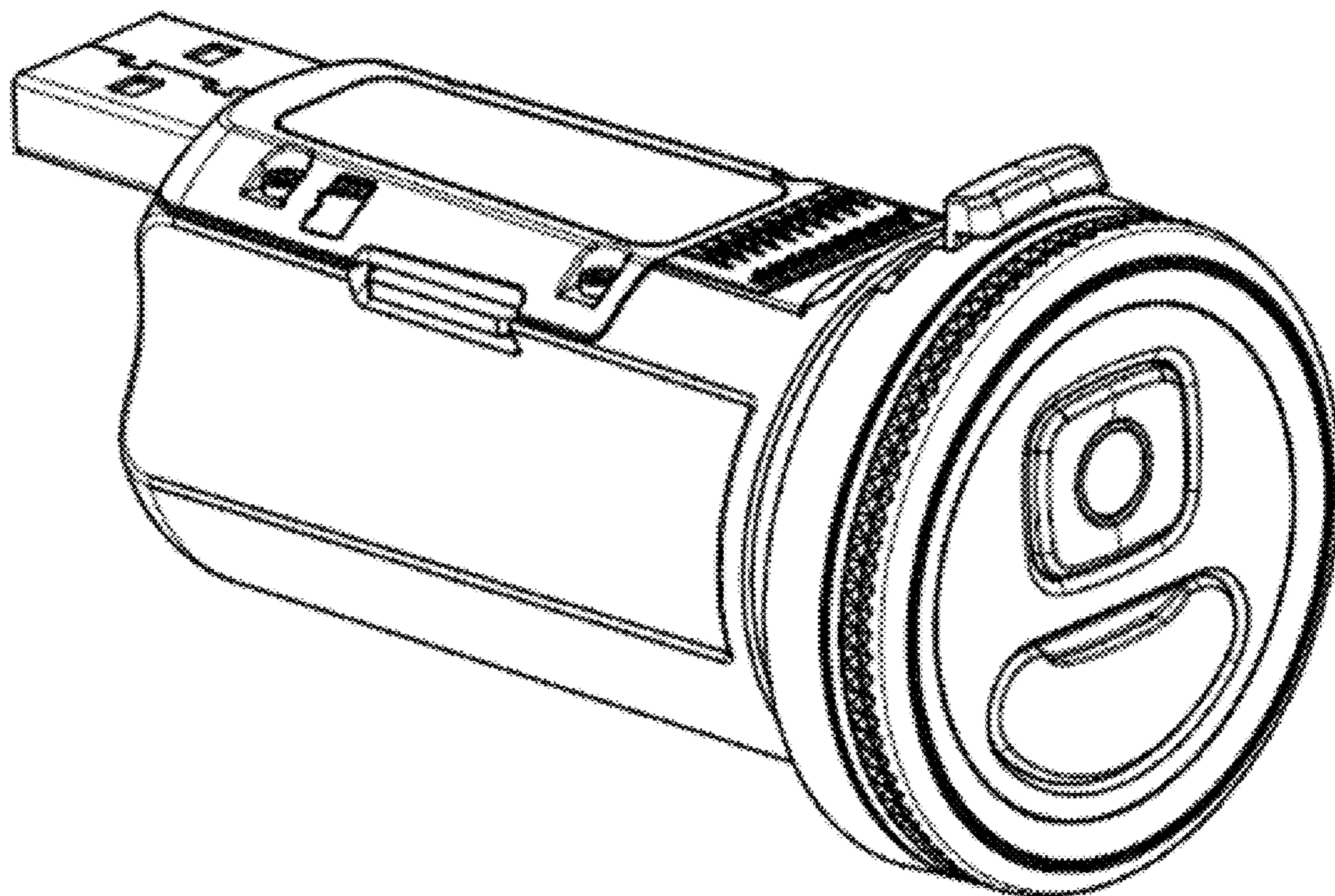
(57) **CLAIM**

The ornamental design for a removable power and data storage module for a digital video camera, as shown and described.

DESCRIPTION

FIG. 1 is a perspective view of the power and data storage module.
FIG. 2 is a left side view of the module.
FIG. 3 is a right side view of the module.
FIG. 4 is a front view of the module.
FIG. 5 is a back view of the module; and,
FIG. 6 is top view of the module.

1 Claim, 4 Drawing Sheets



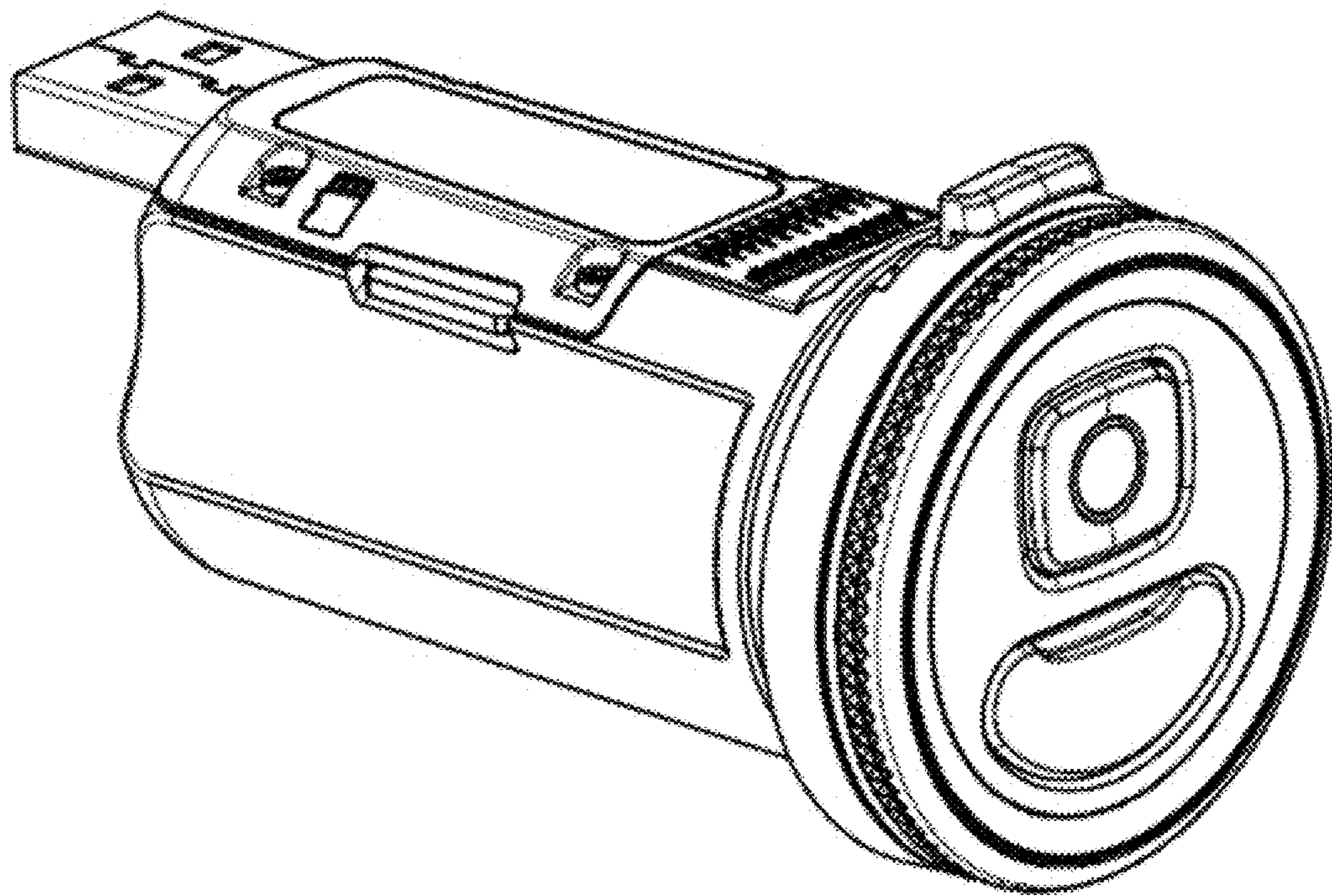


Figure 1

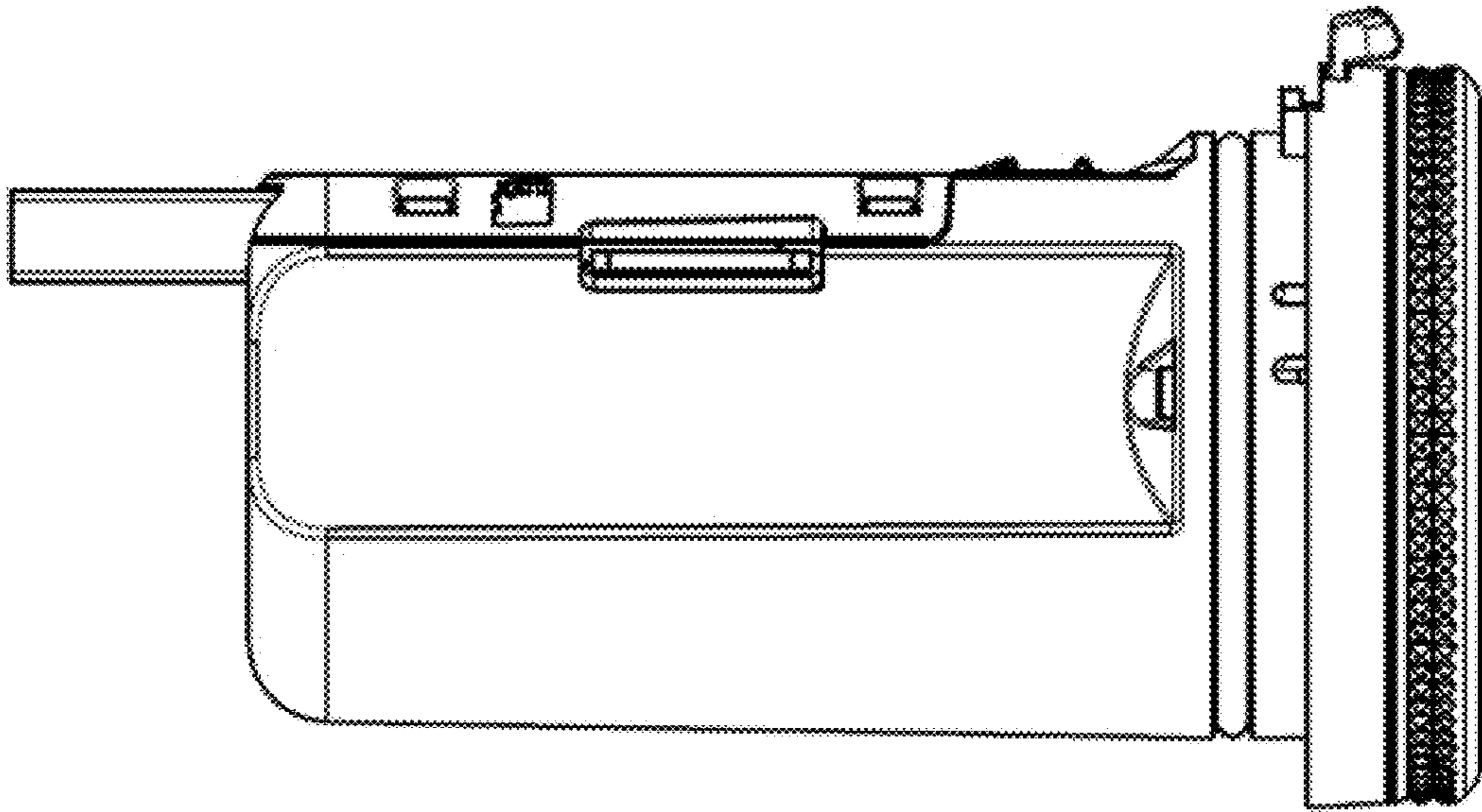


Figure 2

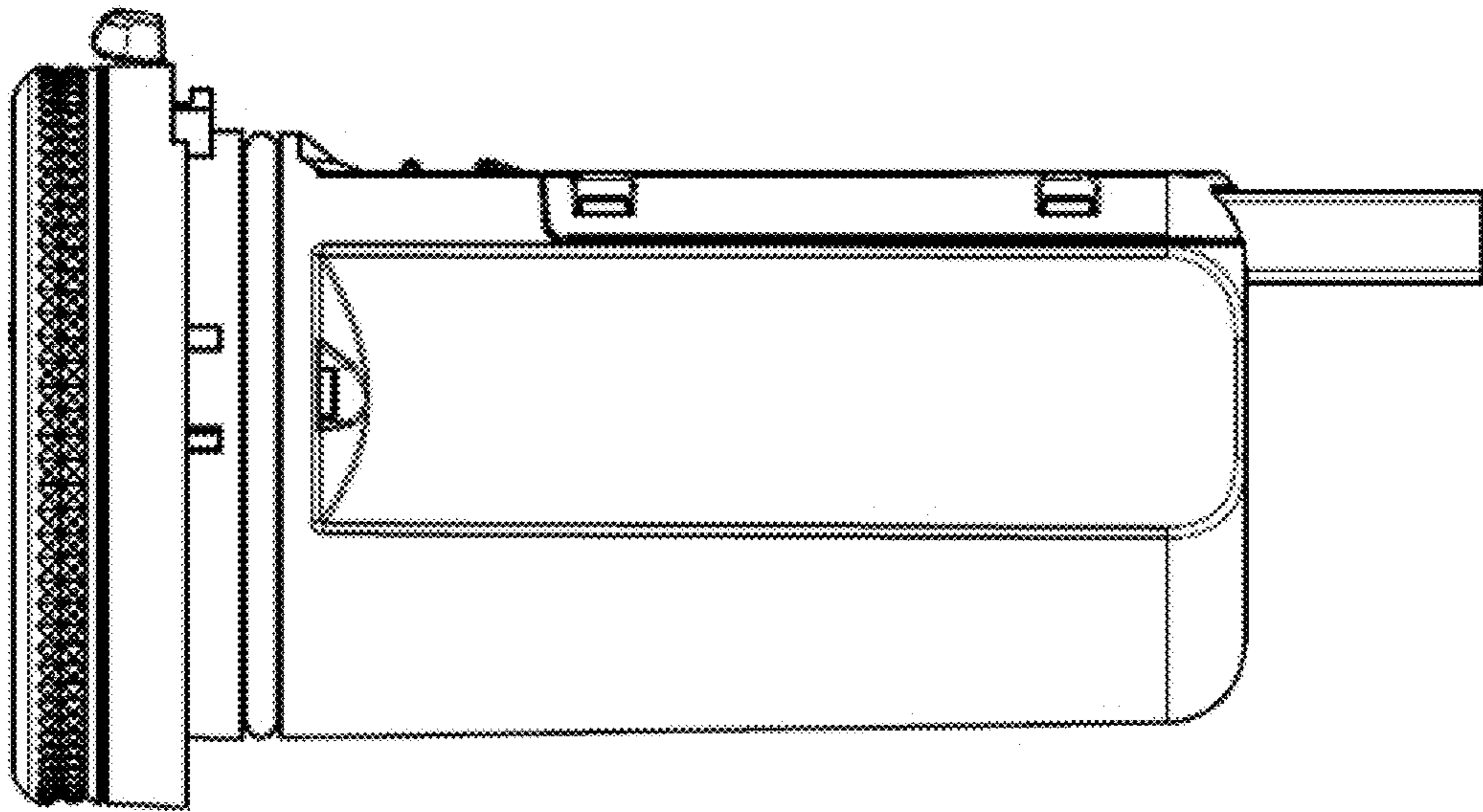


Figure 3

Figure 4

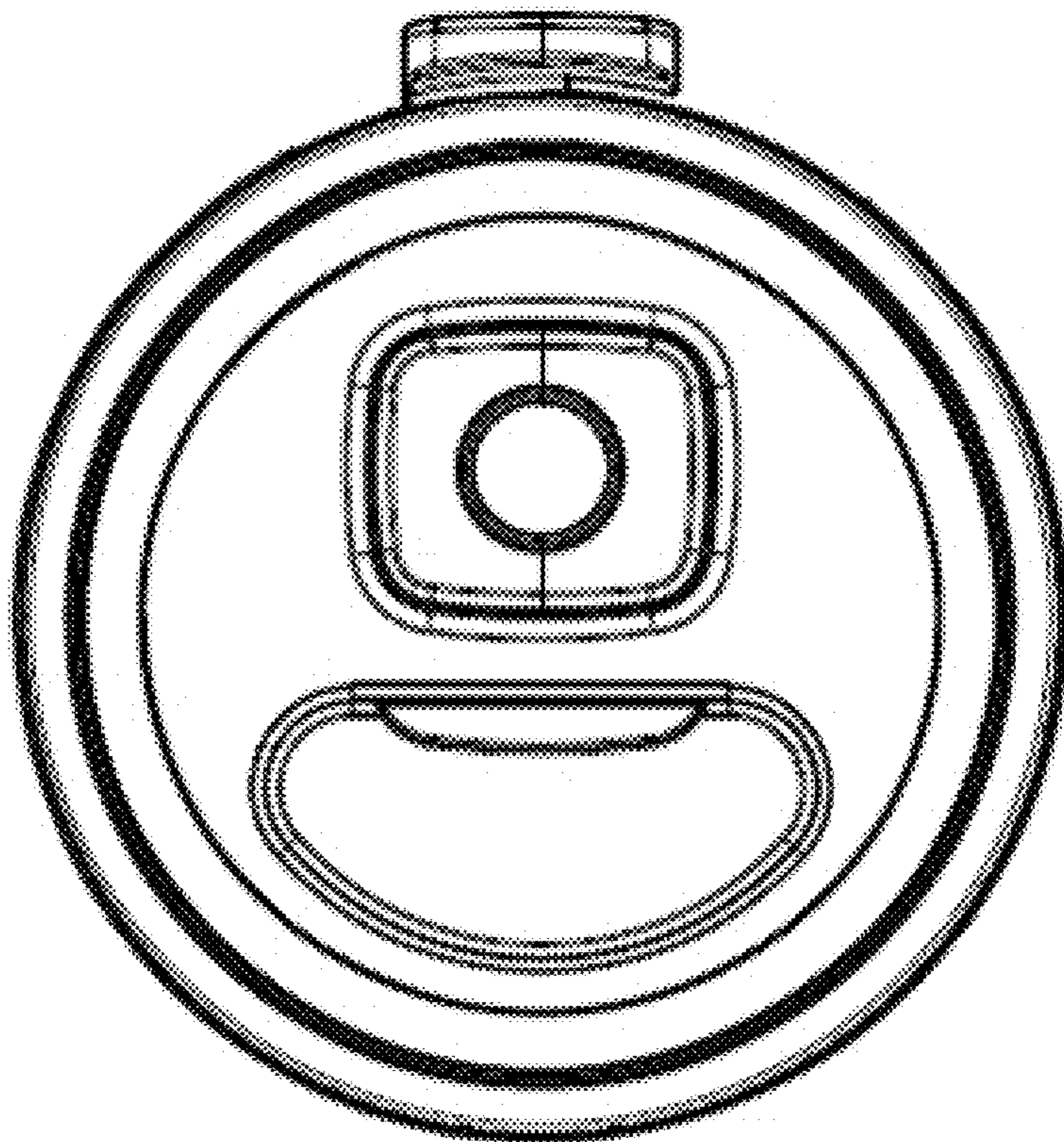
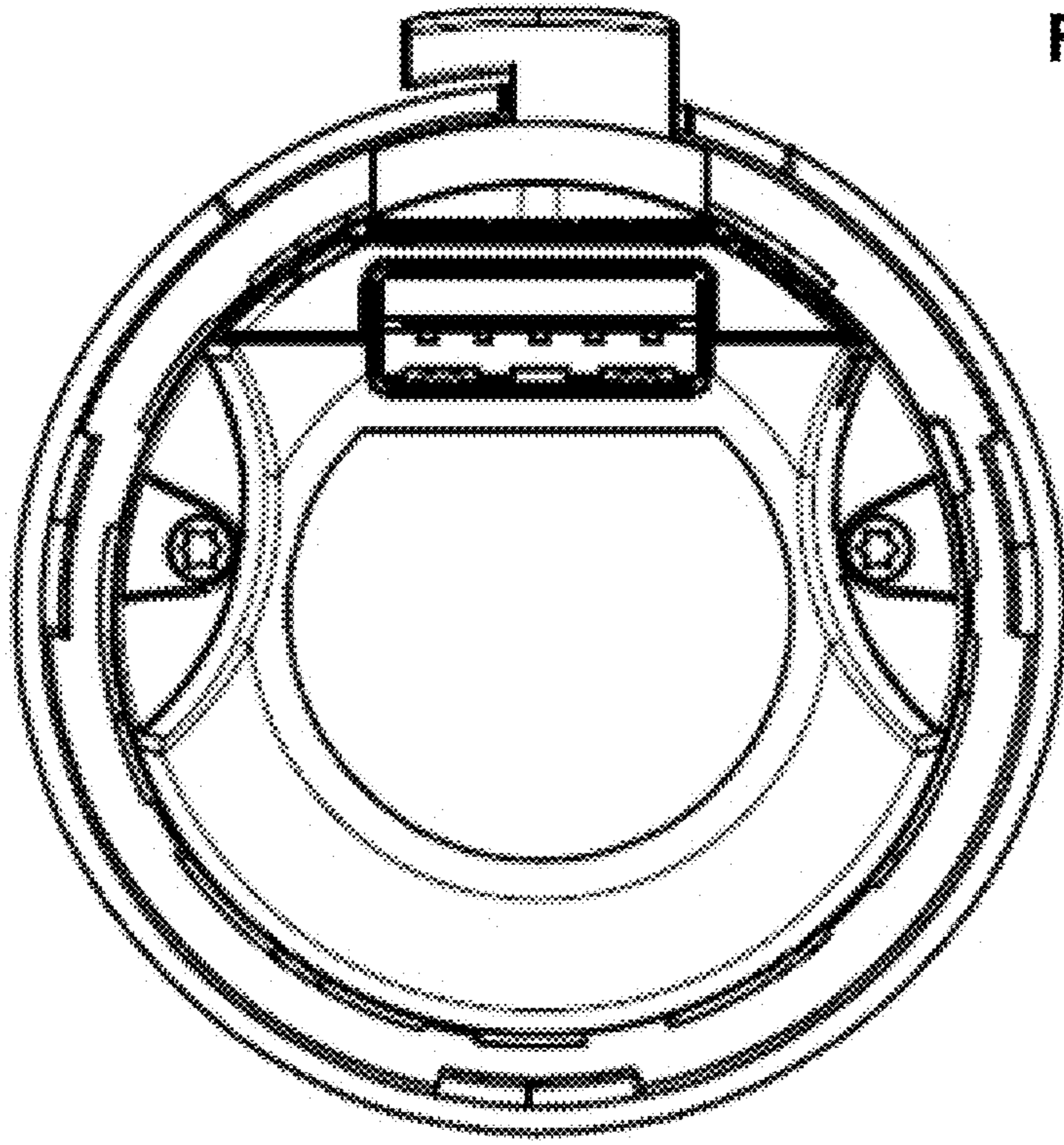


Figure 5

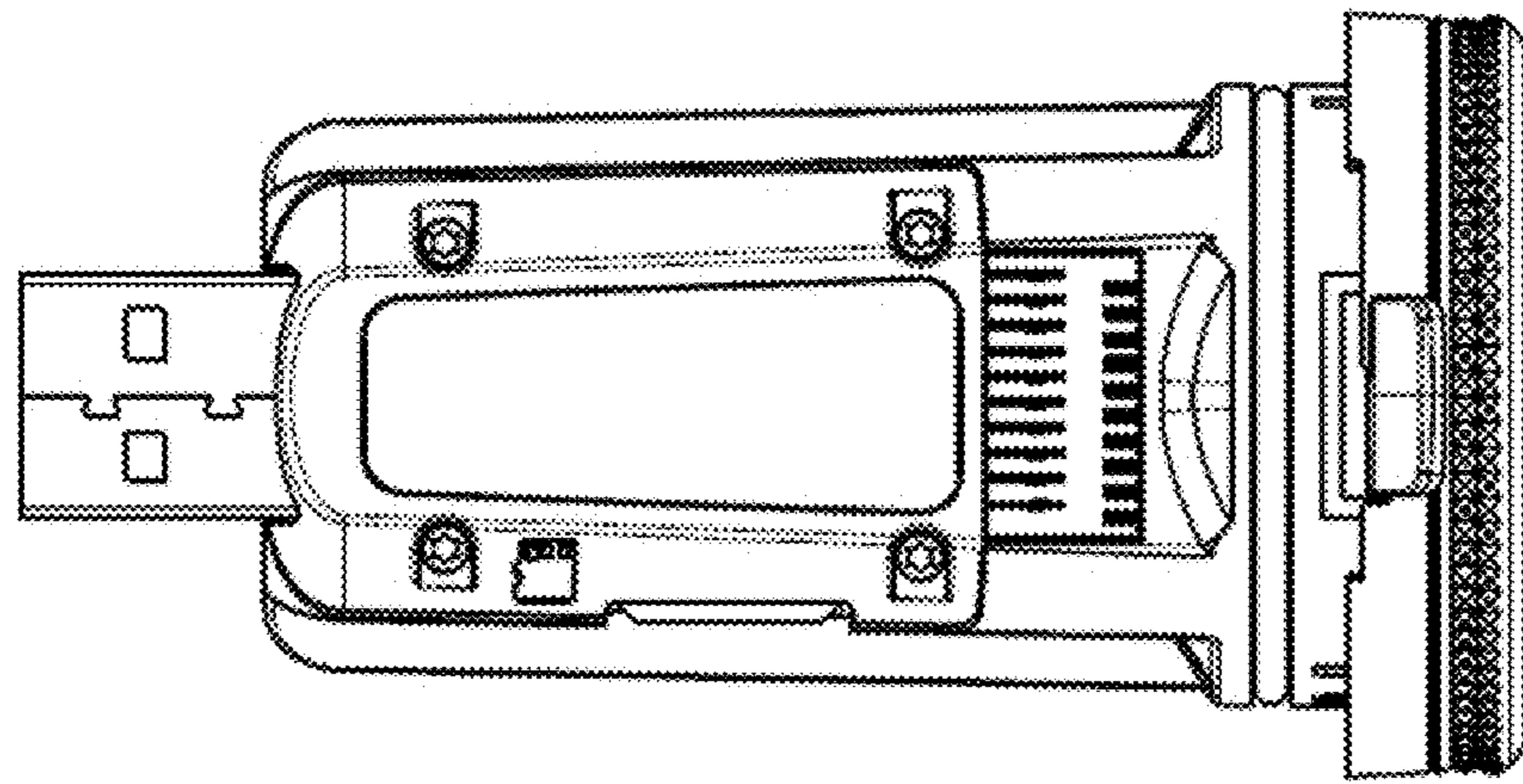


Figure 6

UNITED STATES PATENT AND TRADEMARK OFFICE
CERTIFICATE OF CORRECTION

PATENT NO. : D790,556 S
APPLICATION NO. : 29/543953
DATED : June 27, 2017
INVENTOR(S) : Jonathan Heath and Martin Riddiford

Page 1 of 1

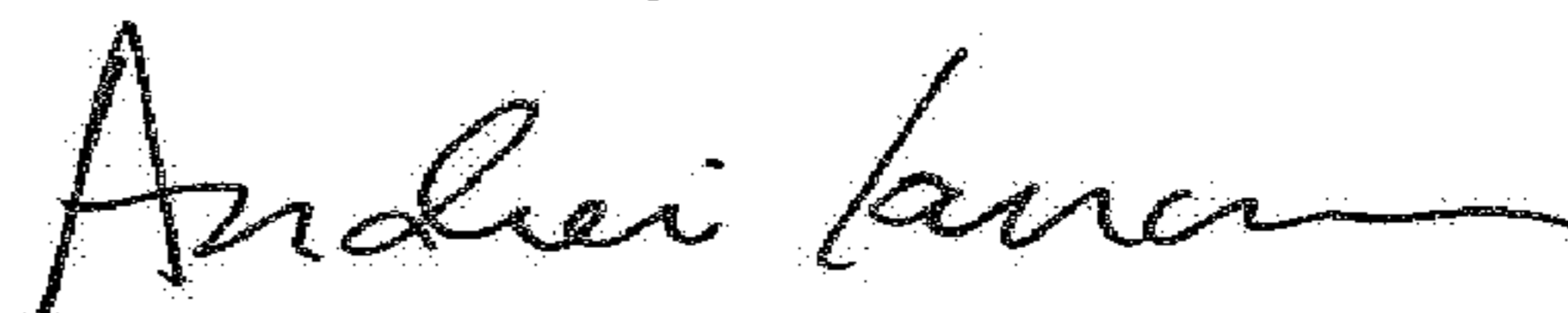
It is certified that error appears in the above-identified patent and that said Letters Patent is hereby corrected as shown below:

On the Title Page

Foreign application priority data should be listed as follows:

Foreign Application Priority Data
April 29, 2015 (EM) 002692343

Signed and Sealed this
Fifth Day of June, 2018



Andrei Iancu
Director of the United States Patent and Trademark Office