



US00D790553S

(12) **United States Design Patent**
Fitch et al.

(10) **Patent No.:** **US D790,553 S**
(45) **Date of Patent:** **** Jun. 27, 2017**

(54) **CHARGING BASE**

(71) Applicant: **Hand Held Products, Inc.**, Fort Mill, SC (US)

(72) Inventors: **Timothy R. Fitch**, Syracuse, NY (US); **Mark McClaude**, Syracuse, NY (US); **Donna Marie Fletcher**, Auburn, NY (US); **Colleen P. Gannon**, Marcellus, NY (US); **Roberto Spuches**, Liverpool, NY (US); **Clayton Roberts**, Tully, NY (US); **Yuefeng Mo**, Suzhou (CN)

(73) Assignee: **Hand Held Products, Inc.**, Fort Mill, SC (US)

(**) Term: **15 Years**

(21) Appl. No.: **29/526,918**

(22) Filed: **May 14, 2015**

Related U.S. Application Data

(63) Continuation of application No. 29/459,785, filed on Jul. 3, 2013, now Pat. No. Des. 730,357.

(51) **LOC (10) Cl.** **14-02**

(52) **U.S. Cl.**
USPC **D14/453**

(58) **Field of Classification Search**

USPC D14/434, 447, 453, 432, 433, 385, 357, D14/149, 457, 253, 251, 356, 242, 439, D14/344, 140.2, 140.5, 140.9, 203.8, D14/209.1, 224.1, 227, 229, 238; D13/108, 118, 199, 107, 177, 119, 184; D3/218, 228, 269; D18/12; D8/349, D8/382; 361/683, 686, 679, 600, 679.44, 361/679.09, 679.26, 679.58; 455/557, 455/556.1, 556.2, 575.4, 569.2, 569.1; 248/346.03, 176.1, 181.1, 309.1, 221.11, 248/349.1, 131, 418, 346.01, 918, 920; 200/6 R; 206/701; 320/113-115, 107, 320/108; 379/426; 345/156, 901, 905;

439/374, 131, 529, 534, 929, 346, 31, 439/640; 235/472.01, 454, 462.01, 235/462.32, 462.41, 462.45, 462.48, 235/462.46, 462.43, 462.42, 462.14, 235/462.1, 462.13, 472.02; 429/100; 382/135; 312/223.1

CPC G06K 7/109; G06K 7/10881; G06K 7/10861; G06K 7/10594; G06K 7/10831; G06K 7/1096; G06K 7/10851; G06K
(Continued)

(56) **References Cited**

U.S. PATENT DOCUMENTS

D344,501 S 2/1994 Gong et al.
5,347,113 A 9/1994 Reddersen et al.
(Continued)

Primary Examiner — Susan Moon Lee

(74) *Attorney, Agent, or Firm* — Additon, Higgins & Pendleton, P.A.

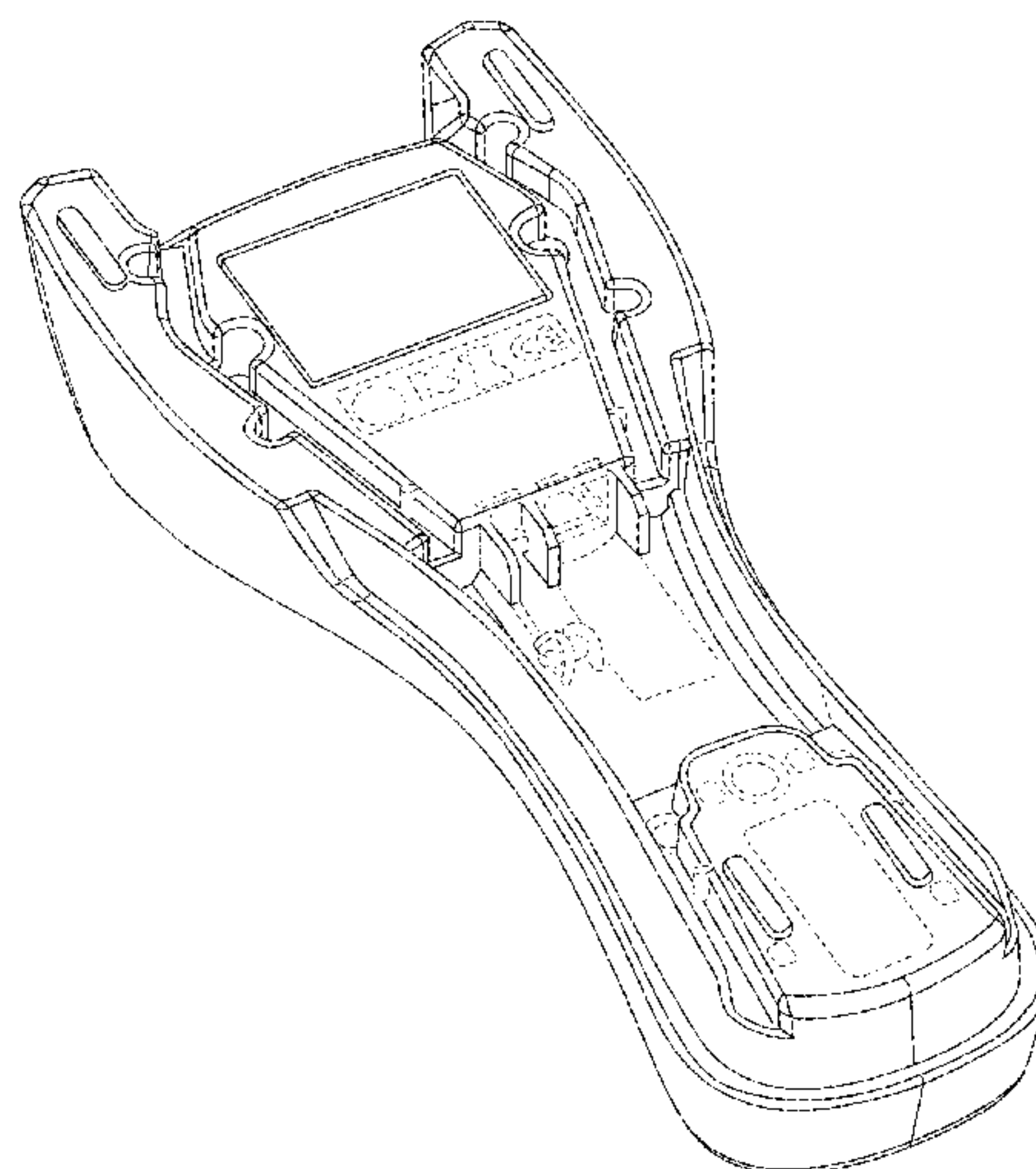
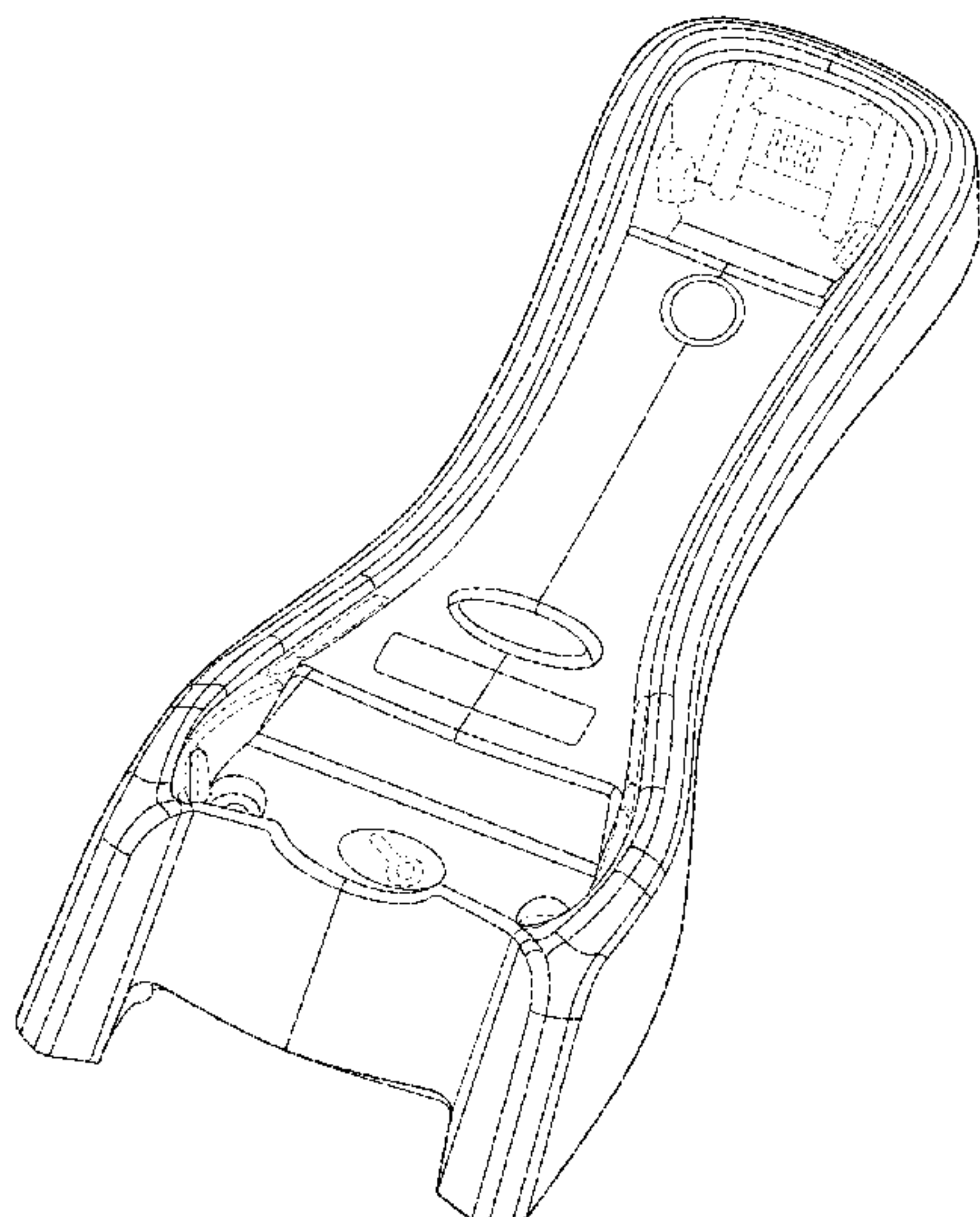
(57) **CLAIM**

The ornamental design for a charging base, as shown and described.

DESCRIPTION

FIG. 1 is a perspective view of the charging base; FIG. 2 is a top plan view of the charging base; FIG. 3 is a bottom plan view of the charging base; FIG. 4 is a left elevation view of the charging base; FIG. 5 is a front elevation view of the charging base; FIG. 6 is a back elevation view of the charging base; FIG. 7 is another perspective view of the charging base; and, FIG. 8 is another perspective view of the charging base. Broken lines and unshaded portions contained within broken lines depict exemplary elements of the charging base that are shown for illustrative purposes only and that form no part of the claimed design.

1 Claim, 7 Drawing Sheets



(58) **Field of Classification Search**
 CPC 7/10821; G06K 7/10475; G06K 17/0022;
 G06F 1/1632; G07G 1/0018; G07G
 1/0045; Y10S 248/92; F16M 11/10;
 F16M 11/08; F16M 11/041; F16M 11/00;
 F16M 11/046; F16M 11/2021; F16M
 13/00; F16M 2200/08; A47F 9/046; H02J
 7/0044; H04M 1/04
 See application file for complete search history.

(56) **References Cited**

U.S. PATENT DOCUMENTS

D362,004 S * 9/1995 Nakano D14/149
 D362,435 S 9/1995 Charych et al.
 5,463,688 A * 10/1995 Wijas B60R 11/0241
 379/426
 D399,848 S * 10/1998 Hebblewhite D14/253
 5,850,078 A 12/1998 Giordano et al.
 D404,397 S * 1/1999 Lucaci D14/253
 5,874,723 A * 2/1999 Hasegawa G06K 7/0008
 235/439
 D414,171 S 9/1999 Swift et al.
 D418,500 S 1/2000 Giordano et al.
 D428,387 S * 7/2000 Malloy D13/107
 D446,524 S 8/2001 Bontly et al.
 6,321,990 B1 11/2001 Giordano et al.
 D466,511 S * 12/2002 Croley D14/434
 D470,145 S 2/2003 Schlieffers et al.
 6,517,003 B2 2/2003 Vassura et al.
 D493,801 S * 8/2004 Byun D14/434
 D512,427 S 12/2005 Choi et al.
 D517,086 S * 3/2006 Siebel D14/453
 D518,057 S 3/2006 Johnson et al.
 7,040,540 B2 * 5/2006 Knowles G02B 26/106
 235/462.14
 D538,285 S 3/2007 MacGregor et al.
 D538,290 S * 3/2007 Johnson D14/453
 D541,283 S 4/2007 MacGregor et al.
 D556,761 S 12/2007 MacGregor et al.
 D558,206 S 12/2007 Watanabe
 7,350,711 B2 4/2008 He et al.
 D570,843 S 6/2008 Mazzone et al.
 D574,832 S 8/2008 MacGregor
 D588,596 S 3/2009 Mazzone et al.
 D599,799 S 9/2009 Di Bari et al.
 D603,408 S 11/2009 Fitch
 7,617,984 B2 11/2009 Nunnink

D606,076 S 12/2009 Di Bari et al.
 D606,544 S 12/2009 Di Bari et al.
 D614,625 S 4/2010 Fitch et al.
 7,748,629 B2 7/2010 Brock
 7,823,789 B2 11/2010 Nunnink
 D629,003 S * 12/2010 Alegiani D14/453
 8,028,913 B2 10/2011 Liu et al.
 D682,277 S 5/2013 Tasselli et al.
 D702,238 S 4/2014 Alegiani et al.
 D716,818 S * 11/2014 Alegiani D14/453
 D730,357 S 5/2015 Fitch et al.
 9,367,723 B1 * 6/2016 Drzymala G06K 7/10881
 2001/0000907 A1 * 5/2001 Knowles G02B 26/106
 235/462.22
 2001/0045466 A1 11/2001 Bontly
 2002/0125323 A1 9/2002 Marrs et al.
 2002/0148902 A1 10/2002 Schlieffers
 2002/0171745 A1 11/2002 Ehrhart
 2003/0209605 A1 11/2003 Walczyk et al.
 2004/0094627 A1 5/2004 Parker et al.
 2004/0134990 A1 7/2004 Fitch et al.
 2005/0274810 A1 * 12/2005 Schmidt B82Y 15/00
 235/462.43
 2006/0192015 A1 * 8/2006 DiGiovanna G01R 31/043
 235/472.02
 2006/0289654 A1 12/2006 Robinson et al.
 2009/0218403 A1 9/2009 Joseph et al.
 2009/0218405 A1 9/2009 Joseph et al.
 2010/0308116 A1 12/2010 Sani et al.
 2011/0069877 A1 3/2011 Vincenzi
 2011/0073658 A1 3/2011 Vassura et al.
 2011/0132984 A1 6/2011 Fletcher
 2011/0147459 A1 6/2011 Goren et al.
 2011/0290889 A1 12/2011 Tamburrini et al.
 2012/0193431 A1 8/2012 Hawley et al.
 2012/0319645 A1 12/2012 O'Donnell et al.
 2013/0292478 A1 11/2013 Wang et al.
 2014/0048684 A1 2/2014 Barkan et al.
 2014/0059414 A1 2/2014 He et al.
 2014/0089121 A1 3/2014 Kaminsky et al.
 2014/0091147 A1 4/2014 Evans et al.
 2014/0144978 A1 5/2014 Sun et al.
 2014/0197239 A1 7/2014 Havens et al.
 2014/0246496 A1 9/2014 Brock
 2014/0312119 A1 10/2014 Handshaw et al.
 2014/0361082 A1 12/2014 Xian et al.
 2016/0094070 A1 * 3/2016 Mazzone H02J 7/0044
 320/115

* cited by examiner

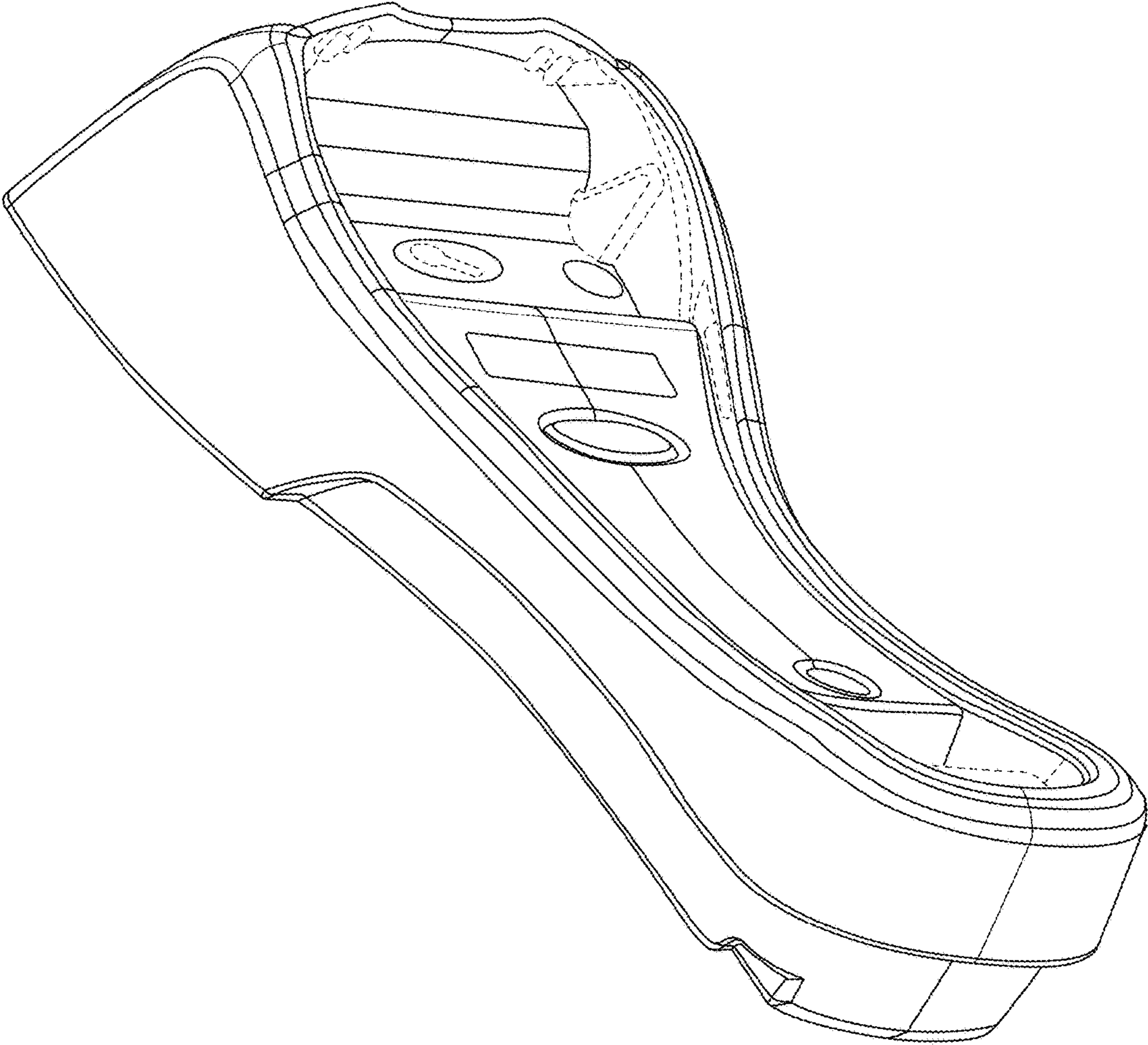


FIG. 1

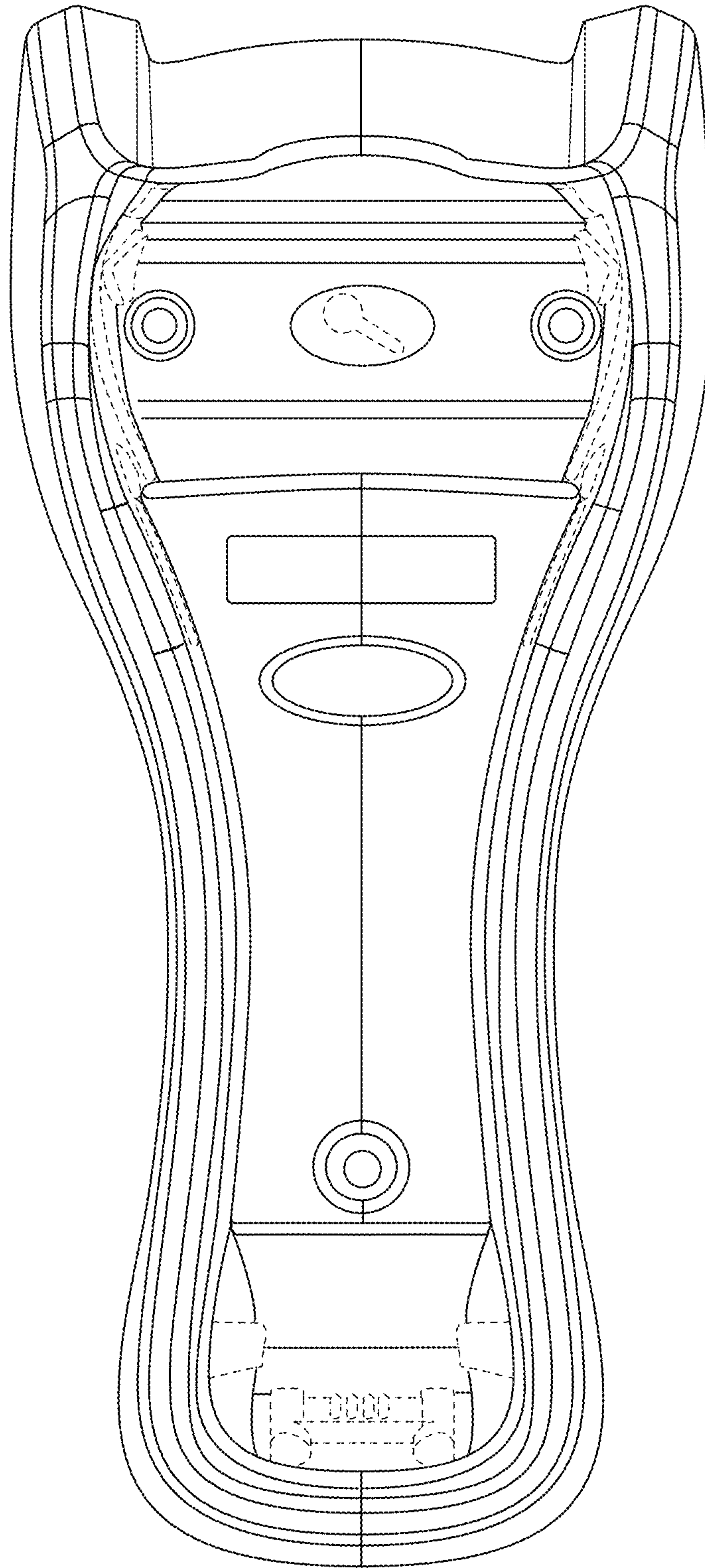


FIG. 2

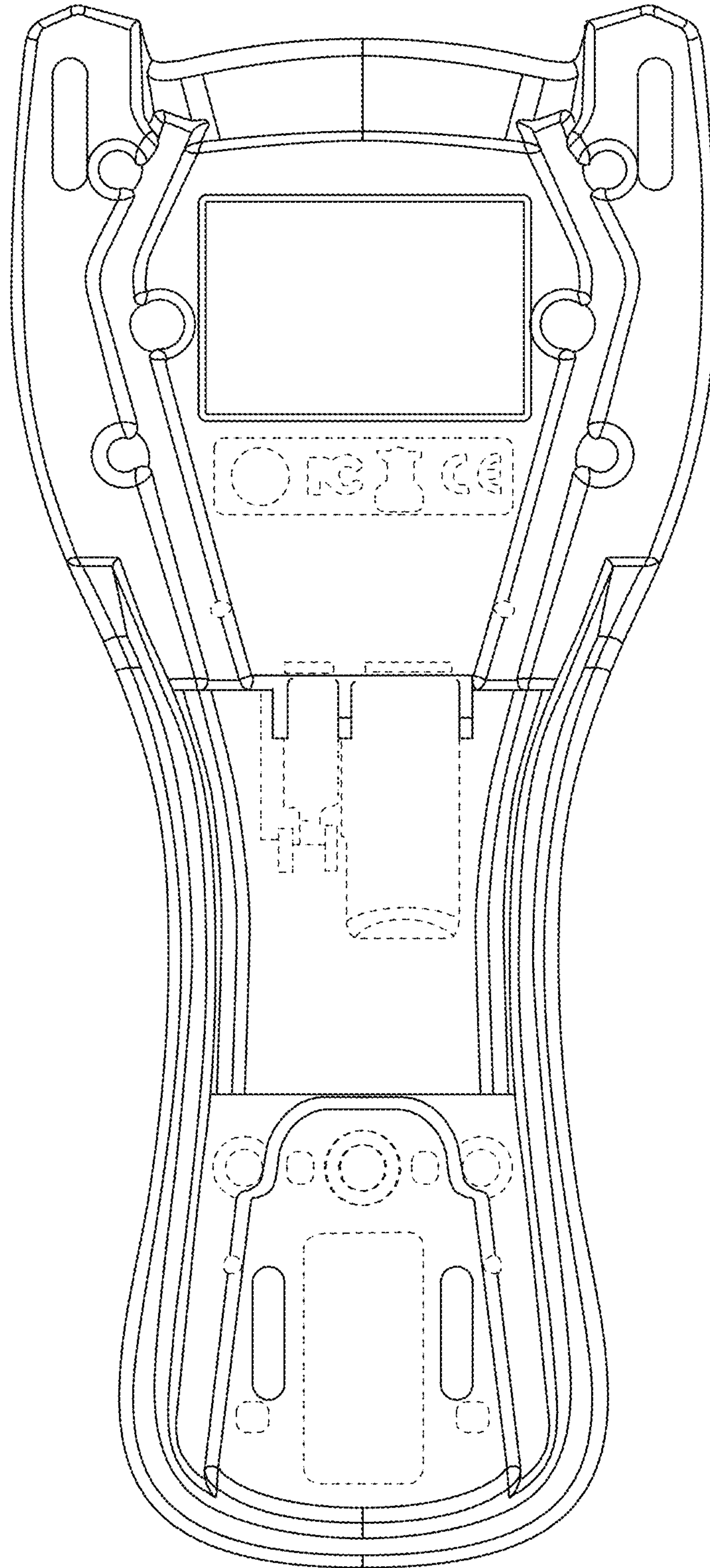


FIG. 3

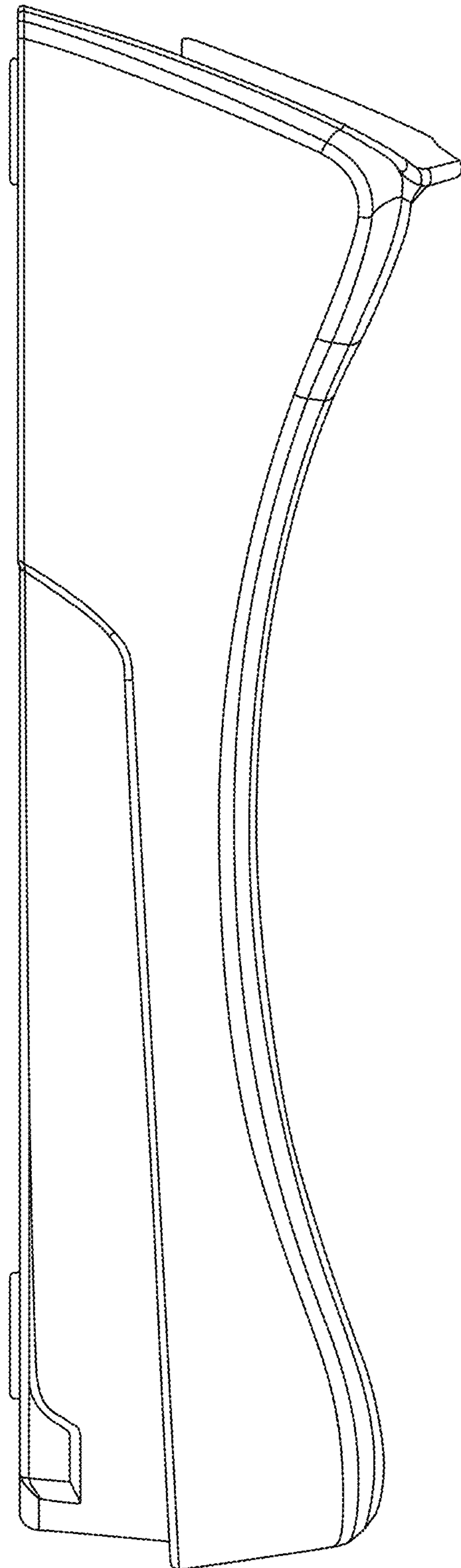


FIG. 4

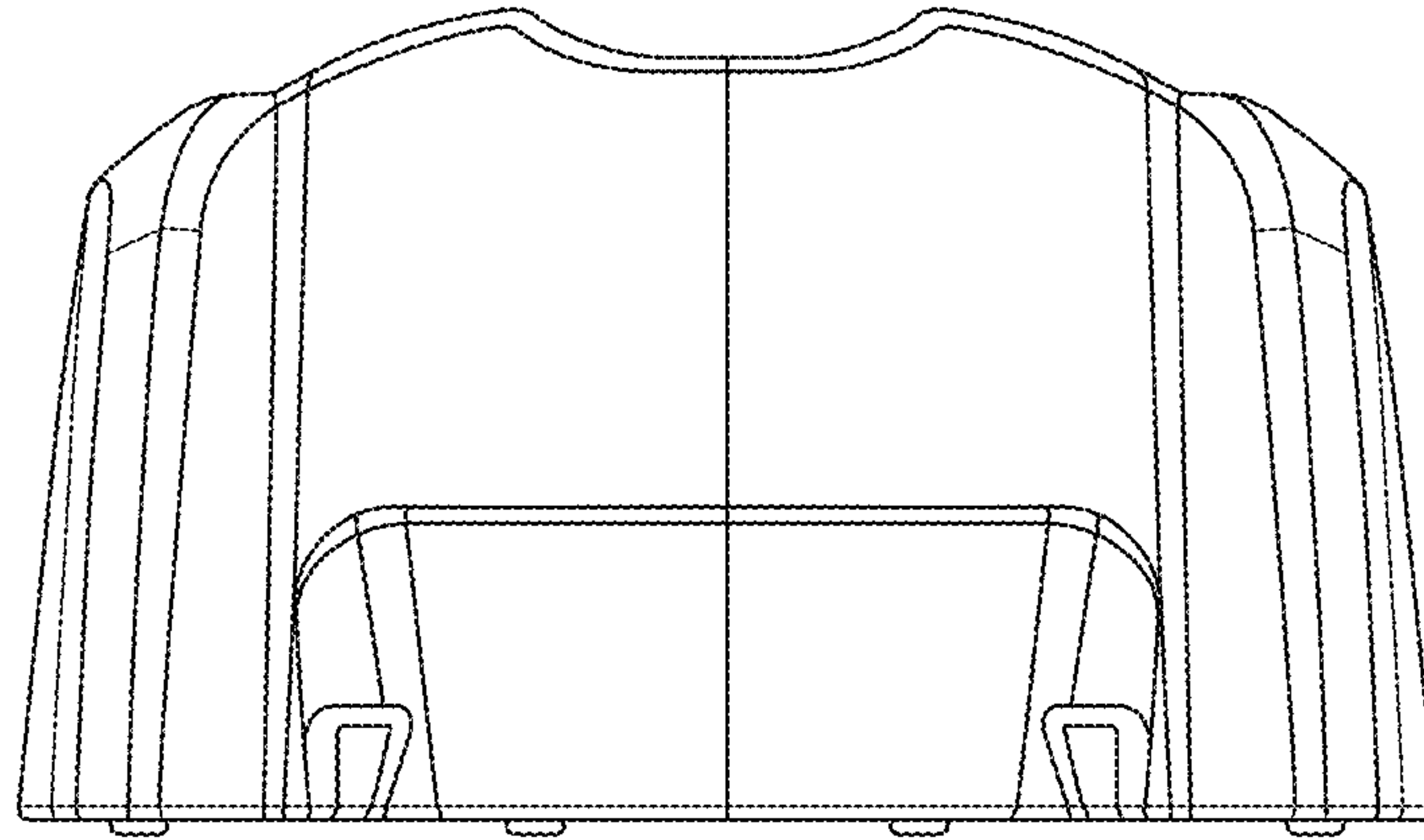


FIG. 5

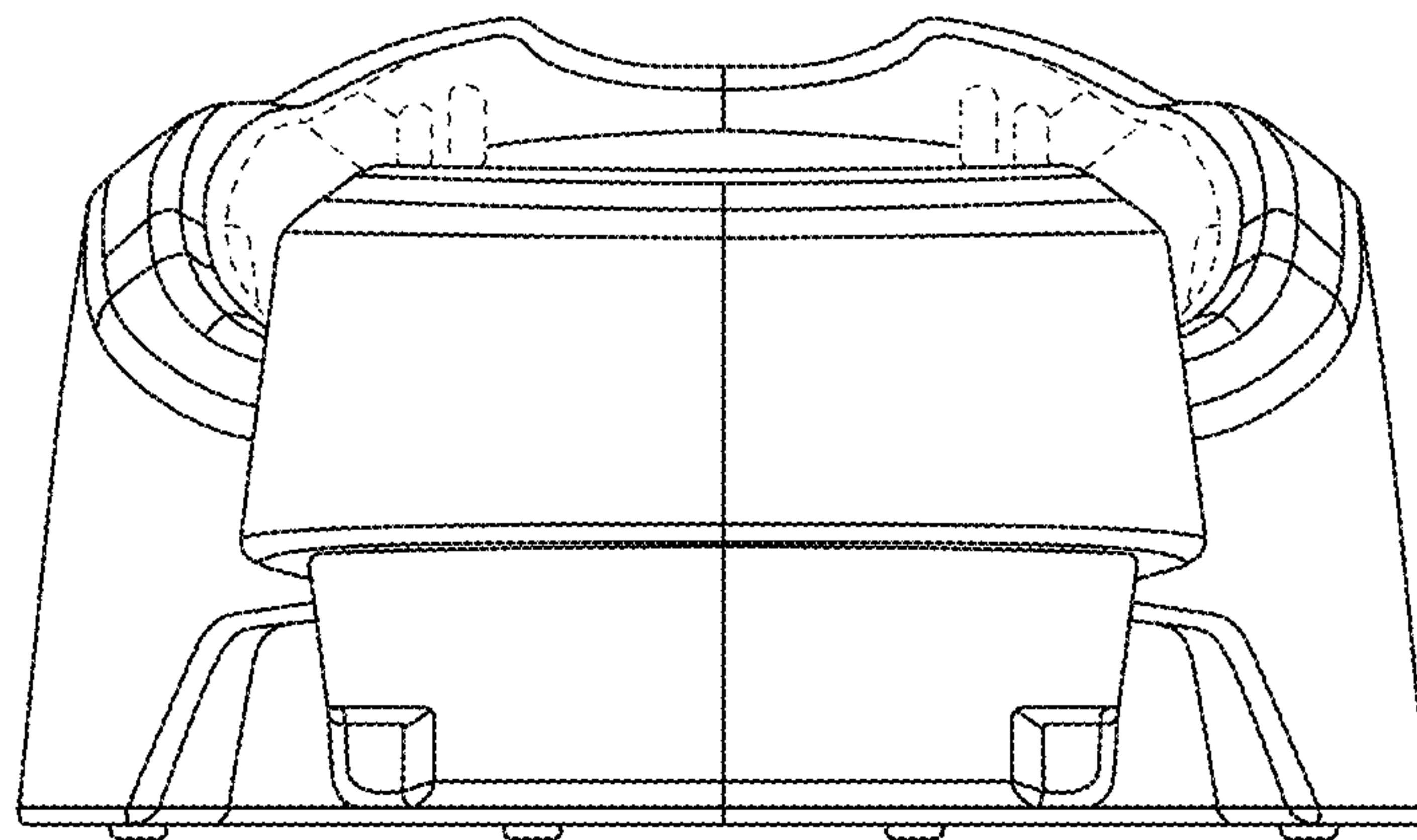


FIG. 6

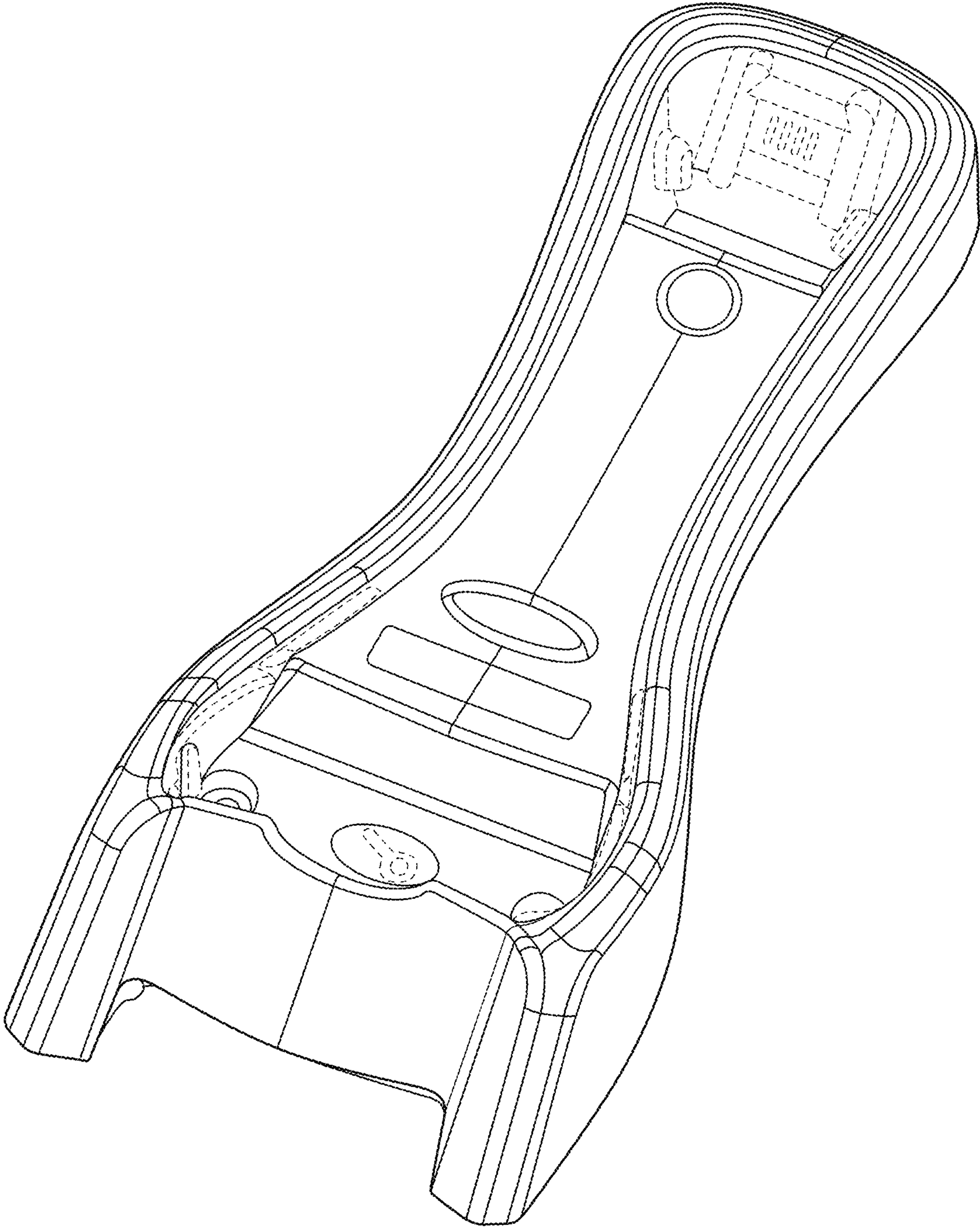


FIG. 7

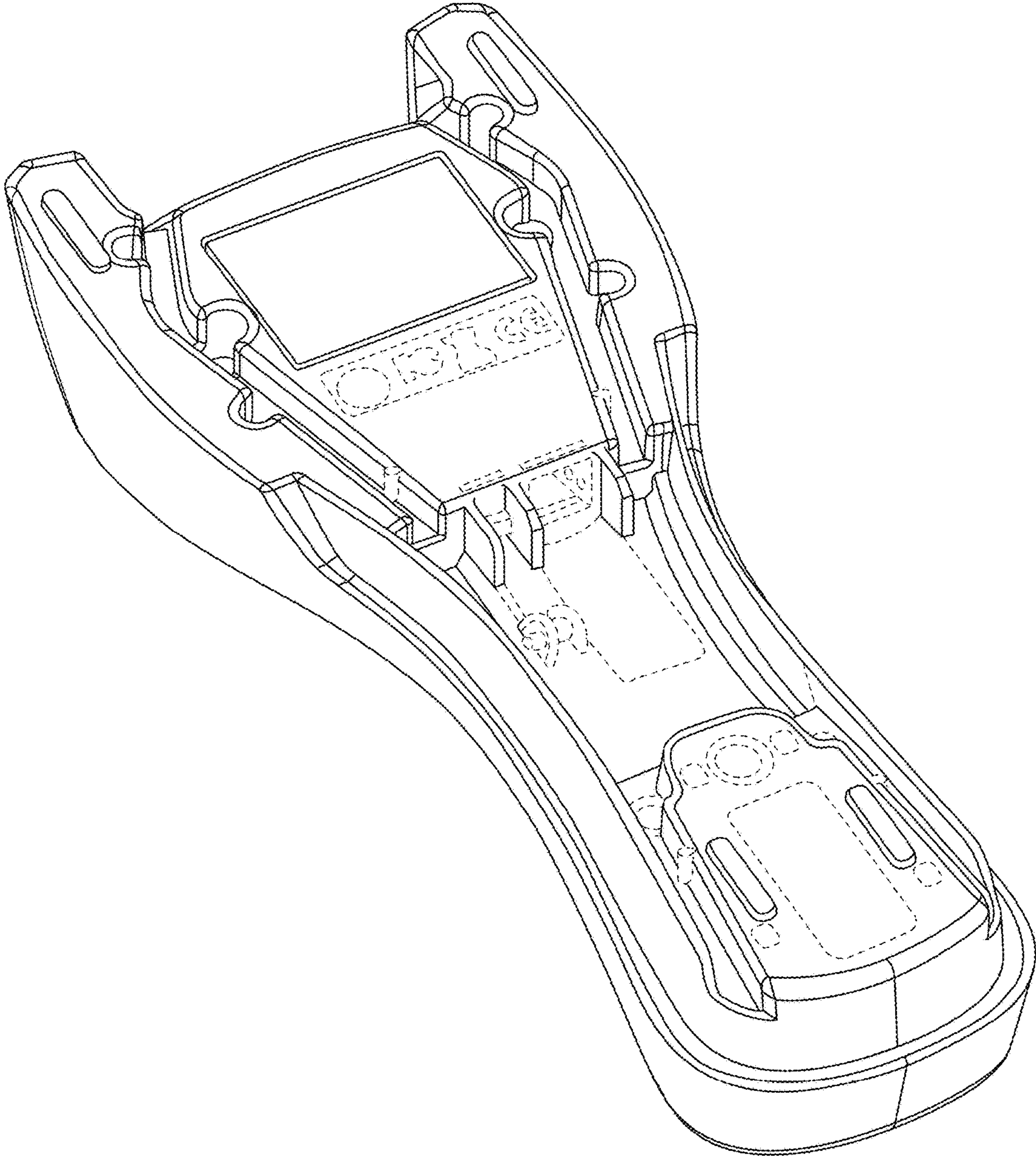


FIG. 8