



US00D790552S

(12) **United States Design Patent**
Zhang

(10) **Patent No.:** **US D790,552 S**

(45) **Date of Patent:** **** Jun. 27, 2017**

(54) **GLOWING COMPUTER CASE**

2012/0043235 A1* 2/2012 Klement A45C 11/00
206/320

(71) Applicant: **Lina Zhang**, College Point, NY (US)

* cited by examiner

(72) Inventor: **Lina Zhang**, College Point, NY (US)

Primary Examiner — Cynthia Underwood

(**) Term: **15 Years**

(74) *Attorney, Agent, or Firm* — Jeanette Meng
Nakagawa

(21) Appl. No.: **29/570,672**

(57) **CLAIM**

(22) Filed: **Jul. 11, 2016**

The ornamental design for a glowing computer case, as shown and described.

(51) **LOC (10) Cl.** **14-02**

(52) **U.S. Cl.**

USPC **D14/440**

(58) **Field of Classification Search**

USPC D14/250, 440, 447; 206/45.23, 320,
206/45.2, 316.2; 361/679.55; 294/25;
224/218

CPC G06F 1/1628; G06F 1/1613; G06F 1/1626;
A47B 23/044

See application file for complete search history.

DESCRIPTION

FIG. 1 is a perspective view from above of a glowing computer case showing my new design;

FIG. 2 is a top view thereof;

FIG. 3 is a right side view thereof;

FIG. 4 is a left side view thereof;

FIG. 5 is a back view thereof;

FIG. 6 is a front view thereof;

FIG. 7 is a bottom view thereof; and,

FIG. 8 is a perspective view from the left of the glowing computer case, with the case in an opened position.

The broken lines shown are for illustrative purposes only and form no part of the claimed design.

The broken lines represent portions of the invention that form no part of the claim.

The lines emanating outward from the present disclosure in FIGS. 1-8 represent a glowing visual effect, and form no part of the claim.

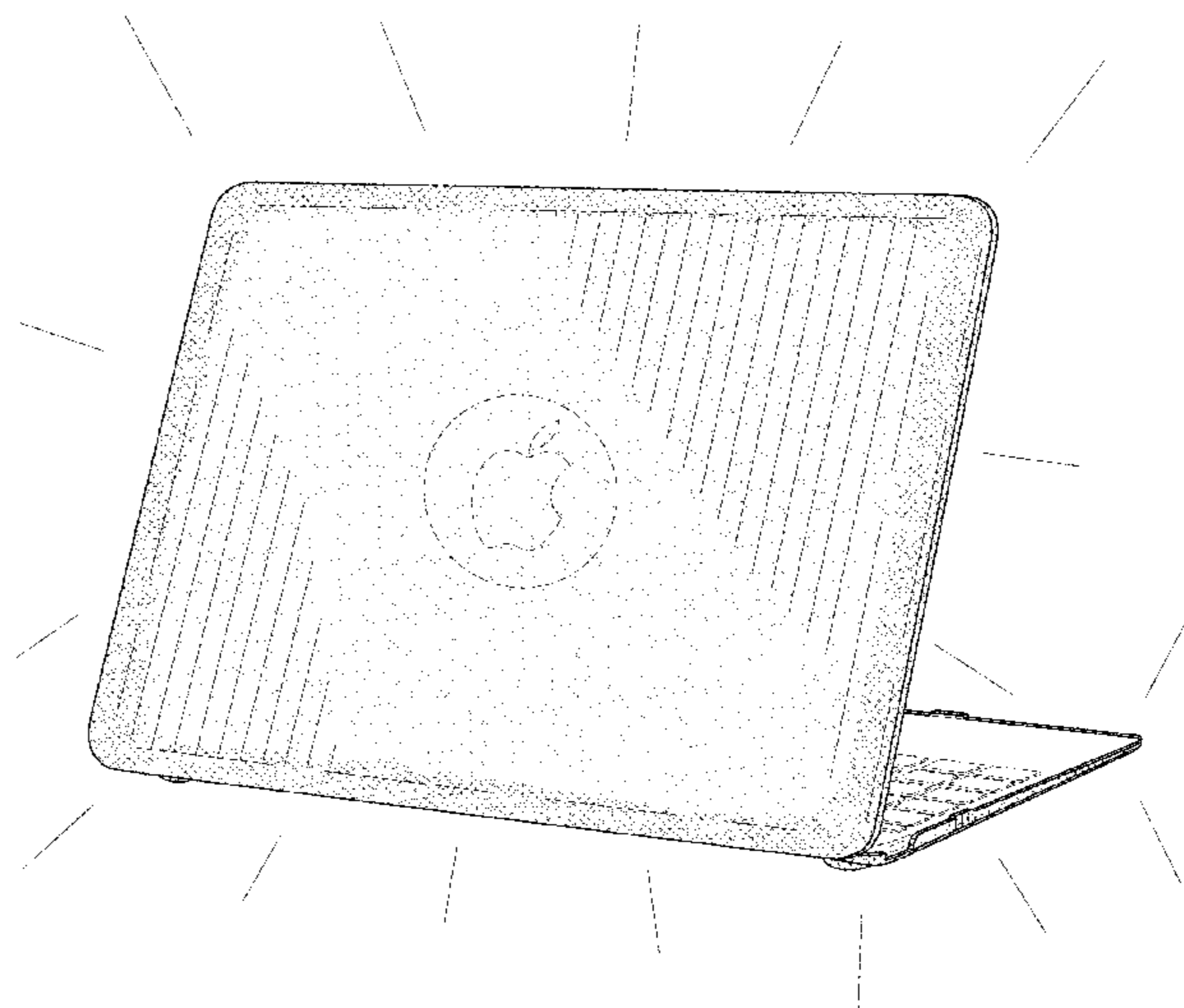
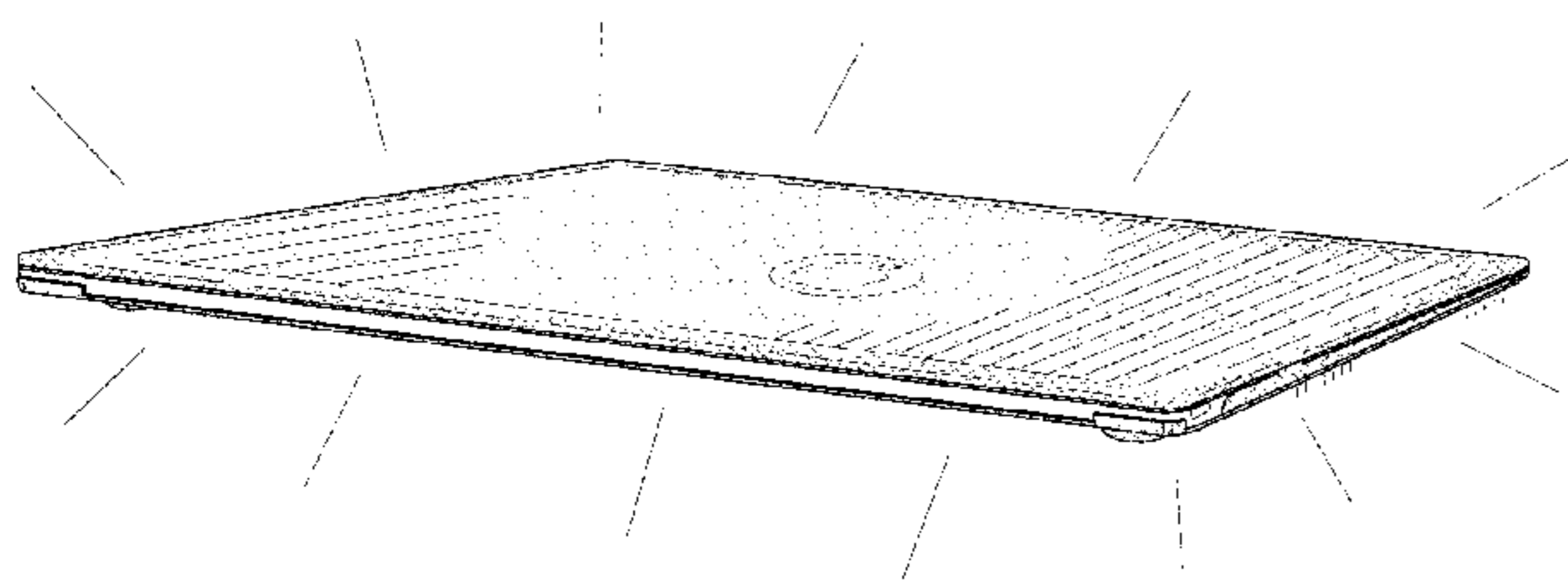
The "Apple" in broken lines does not form part of the claimed design, and is a registered trademark. The owner of the registered trademark is Apple Inc. Corporation, 1 Infinite Loop, Cupertino, CA 95014, USA.

(56) **References Cited**

U.S. PATENT DOCUMENTS

D642,614 S *	8/2011	Ahmad	D19/10
D669,480 S *	10/2012	Piedra	D14/440
D675,625 S *	2/2013	Hasbrook	D14/440
D685,419 S *	7/2013	Ahmad	D19/10
D700,184 S *	2/2014	Boldetti	D14/440
D700,611 S *	3/2014	Boldetti	D14/440
D710,859 S *	8/2014	Mecchella	D14/440
D721,080 S *	1/2015	Mecchella	D14/440
D721,081 S *	1/2015	Hirst	D14/440
D728,579 S *	5/2015	Mecchella	D14/440
D742,890 S *	11/2015	Mecchella	D14/440
D755,160 S *	5/2016	Ponce	D14/214

1 Claim, 4 Drawing Sheets



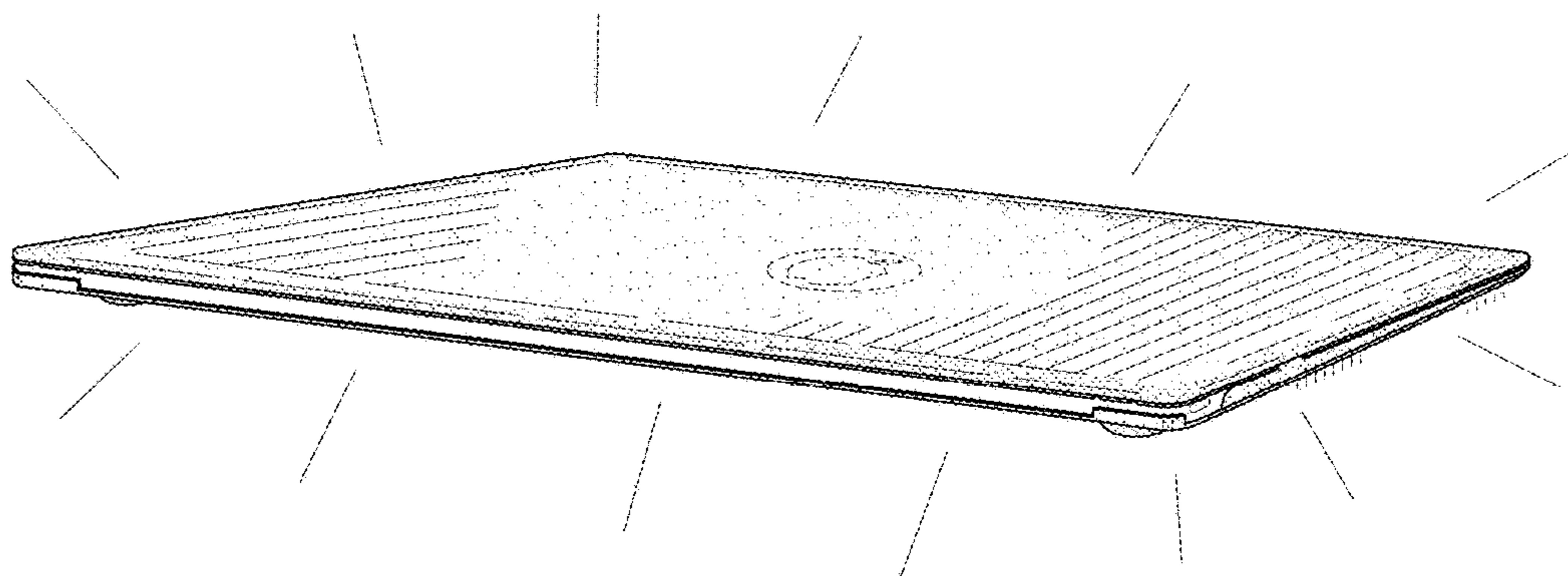


FIG. 1

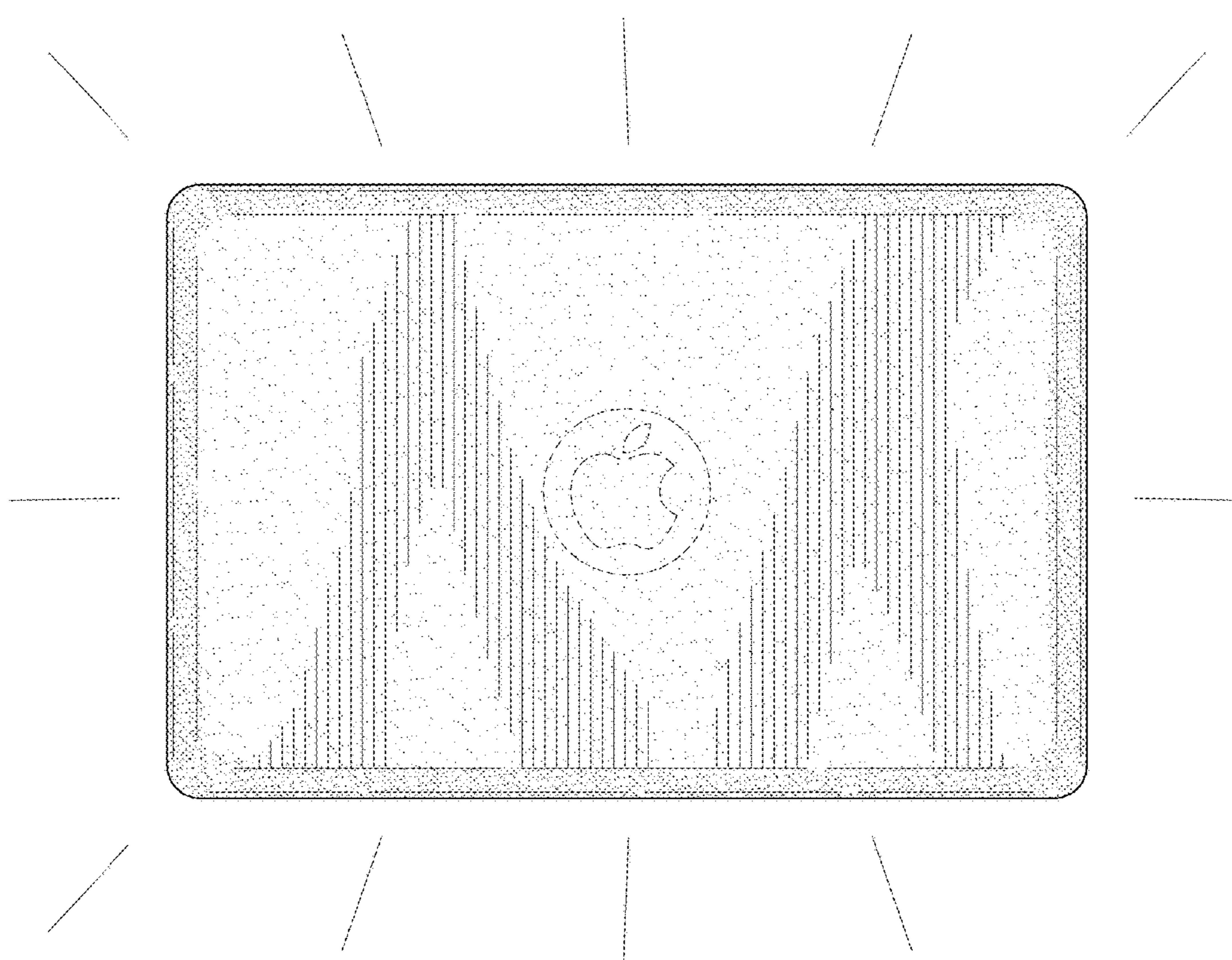


FIG. 2

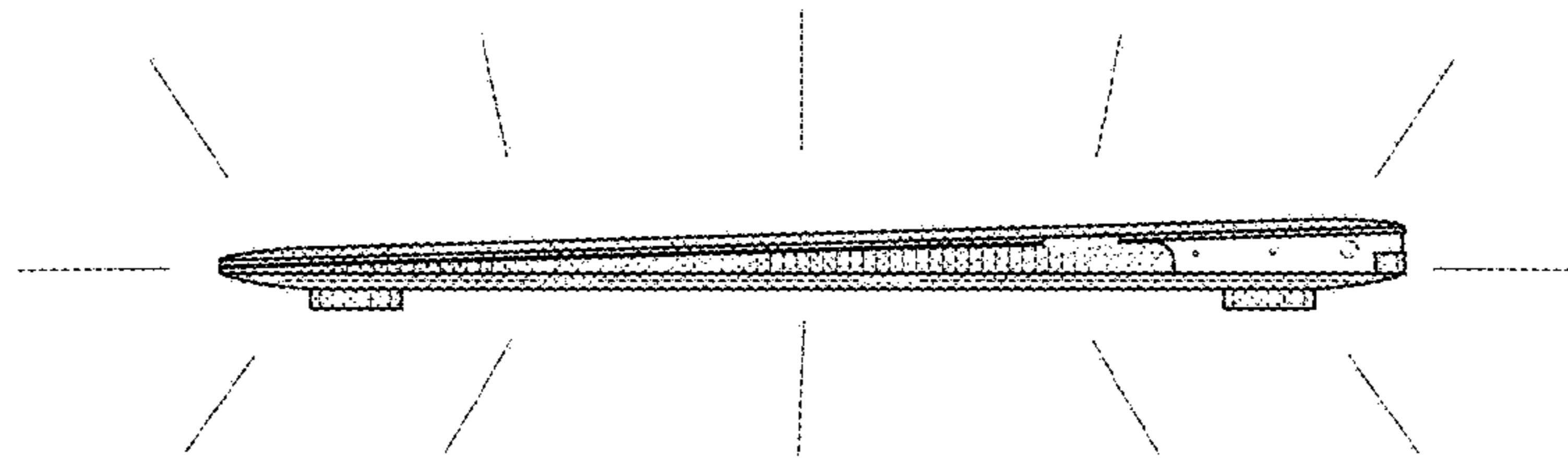


FIG. 3

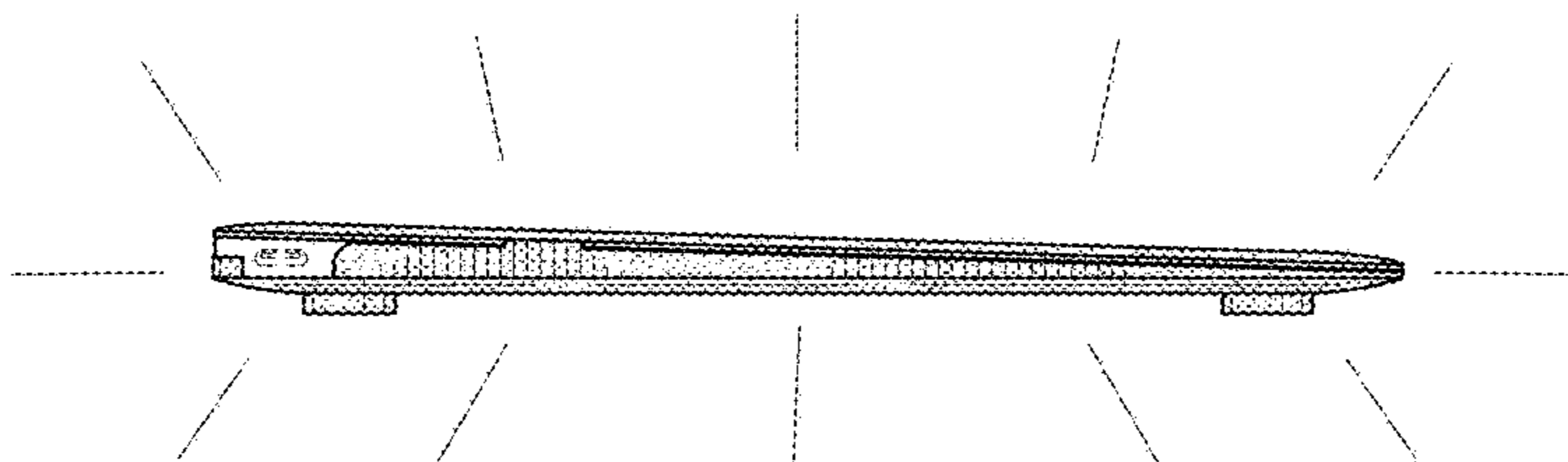


FIG. 4

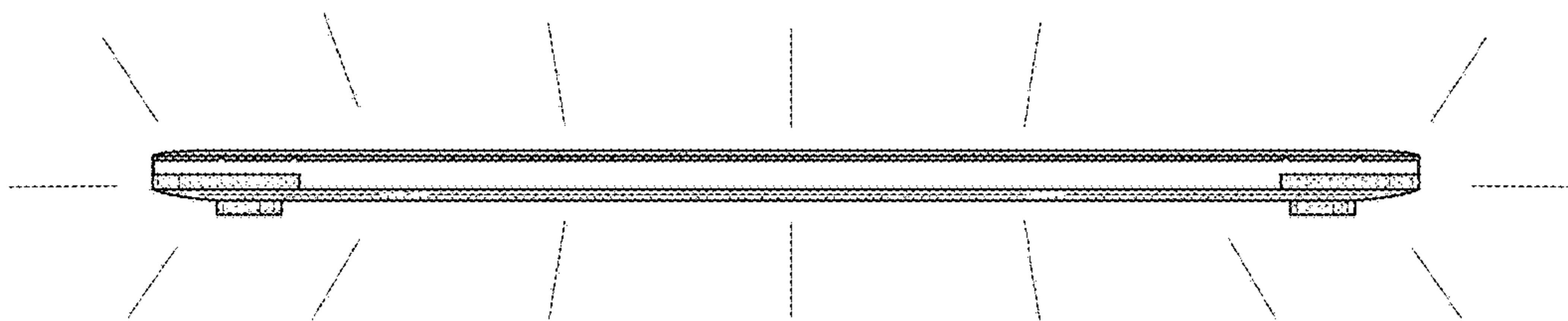


FIG. 5

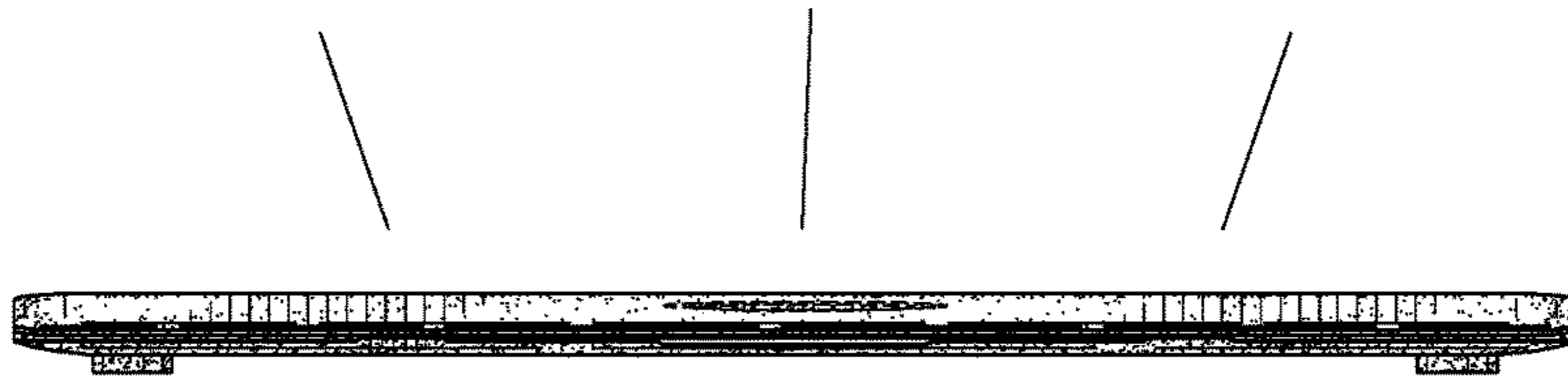


FIG. 6

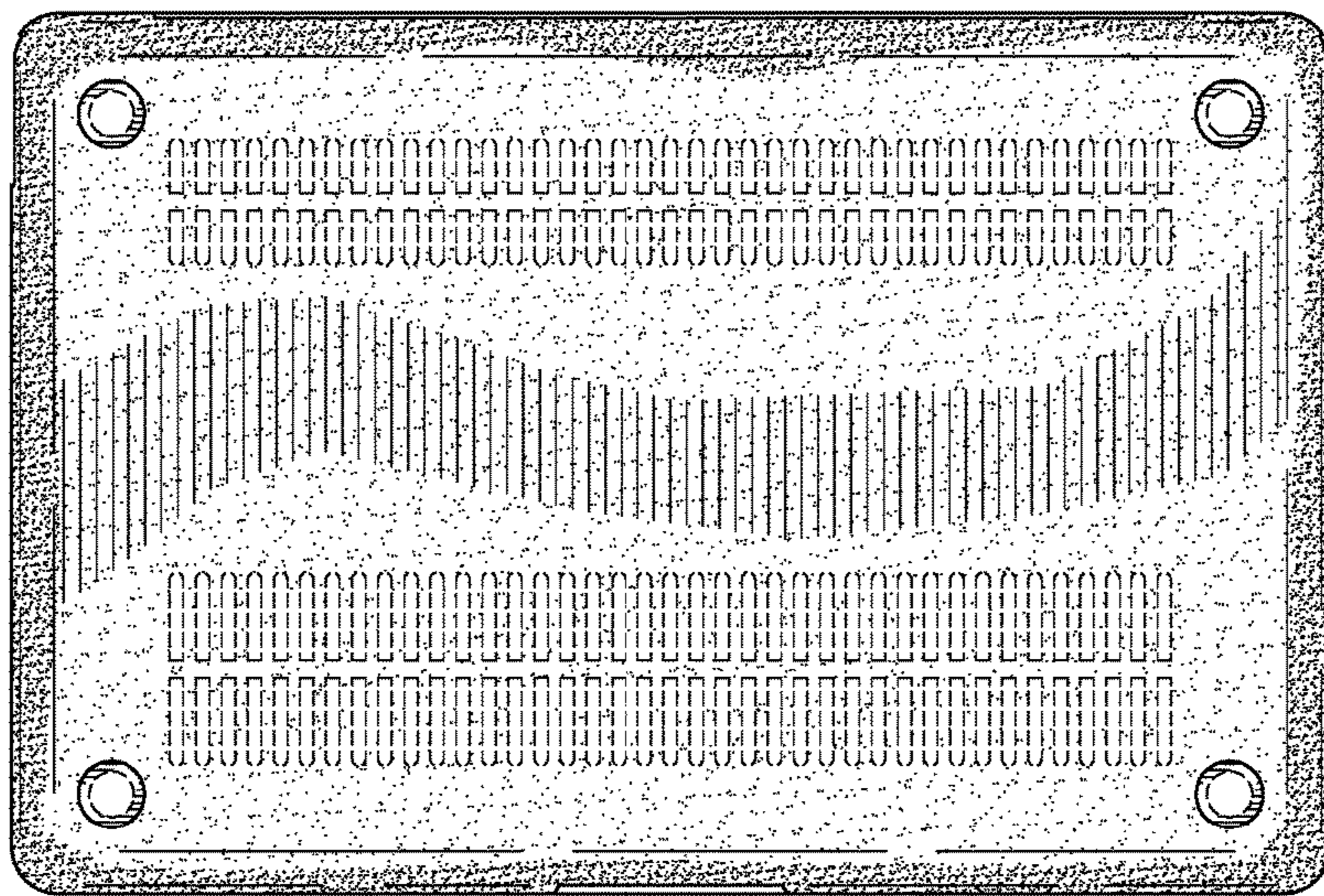


FIG. 7

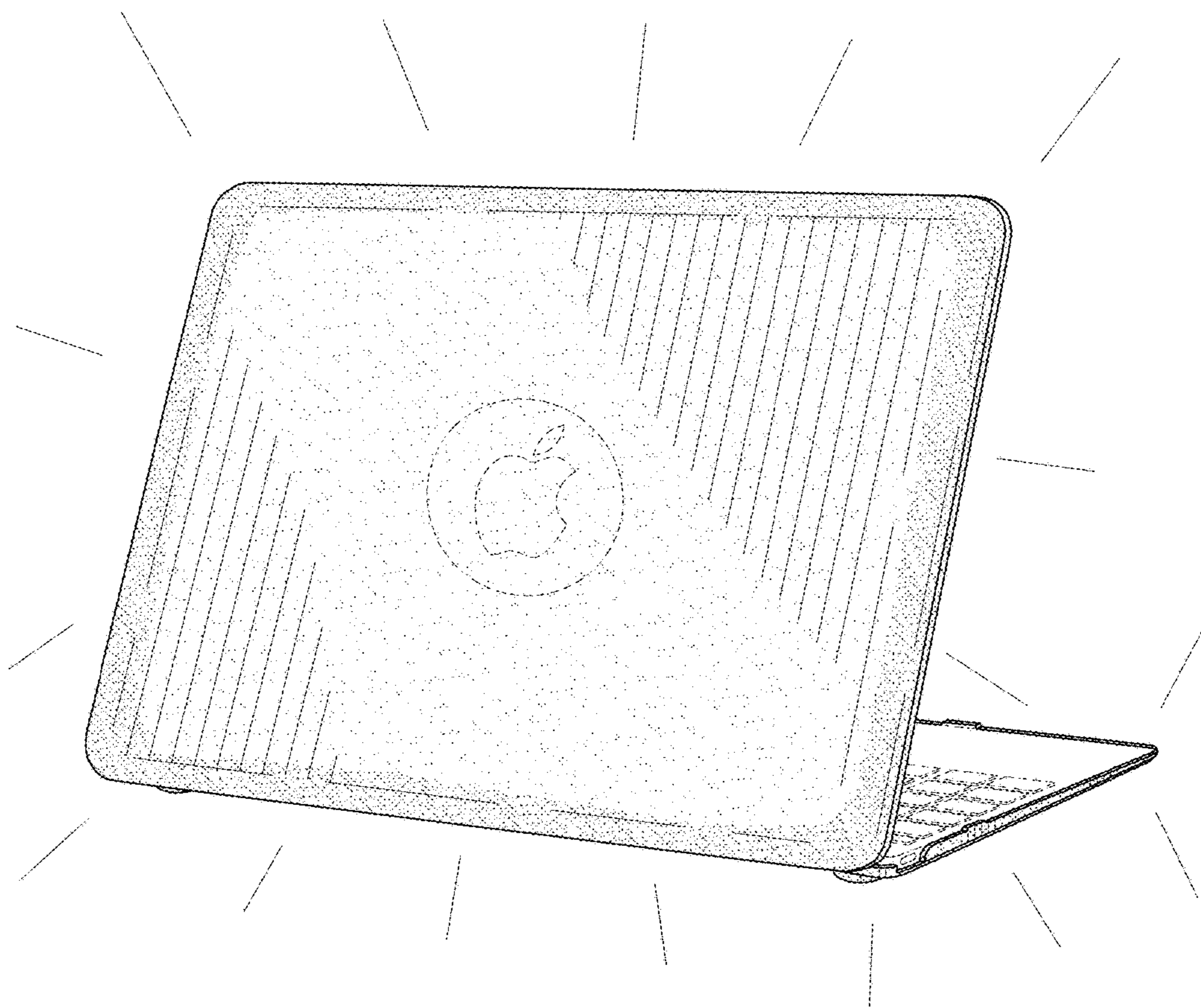


FIG. 8