



US00D790551S

(12) **United States Design Patent**
Hoejlund-Hansen

(10) **Patent No.:** **US D790,551 S**
(45) **Date of Patent:** **** Jun. 27, 2017**

(54) **COVER WITH MAGNETIZED SIDE
SCREENS FOR AN ELECTRONIC DEVICE
FITTED WITH A FLAT DISPLAY**

(71) Applicant: **Philbert ApS**, Svendborg (DK)

(72) Inventor: **Nille Philbert Hoejlund-Hansen**,
Svendborg (DK)

(73) Assignee: **Philbert APS**, Svendborg (DK)

(**) Term: **15 Years**

(21) Appl. No.: **29/552,633**

(22) Filed: **Jan. 25, 2016**

(51) **LOC (10) Cl.** **14-02**

(52) **U.S. Cl.**
USPC **D14/440**

(58) **Field of Classification Search**
USPC D14/250, 440, 447, 253; 206/45.23, 320,
206/45.2, 316.2; 361/679.55; 294/25;
224/218

(Continued)

(56) **References Cited**

U.S. PATENT DOCUMENTS

D707,229 S * 6/2014 Almodova D14/440
D754,666 S * 4/2016 Tiffen D14/440

(Continued)

Primary Examiner — Cynthia Underwood

(74) *Attorney, Agent, or Firm* — Licata & Tyrrell P.C.

(57) **CLAIM**

The ornamental design for a cover with magnetized side screens for an electronic device fitted with a flat display, as shown and described.

DESCRIPTION

FIG. 1 is a perspective view of the cover of the invention in an open condition with the top screen fully extended and

side screens partially extended. The broken lines illustrate a laptop attached to the claimed invention and form no part of the claimed design.

FIG. 2 is a perspective view thereof, shown in an open condition with the top screen and side screens fully extended. The broken lines illustrate a laptop attached to the claimed invention and form no part of the claimed design. FIG. 3 is a top view on a reduced scale thereof, shown in an open condition prior to being attached to a device. The top screen and side screens are folded onto the upper portion of the cover.

FIG. 4 is a bottom view on a reduced scale thereof, shown in an open condition. The top screen and side screens are folded onto the upper portion of the cover.

FIG. 5 is a top view on a reduced scale thereof, shown in an open condition prior to being attached to a device. Top and side screens are open and strips of the side screen are in the closed condition.

FIG. 6 is a top view on a reduced scale thereof, shown in an open condition prior to being attached to a device. Top and side screens are open and strips of the side screen are in the open condition.

FIG. 7 is a left side view on a reduced scale thereof, shown in an open condition with strips of the top screen and side screens assembled and side screen partially extended. The left side view is a mirror image thereto.

FIG. 8 is a left side view on a reduced scale thereof, shown in an open condition with strips of the top screen and side screens assembled and side screen fully extended. The right side view is a mirror image thereto.

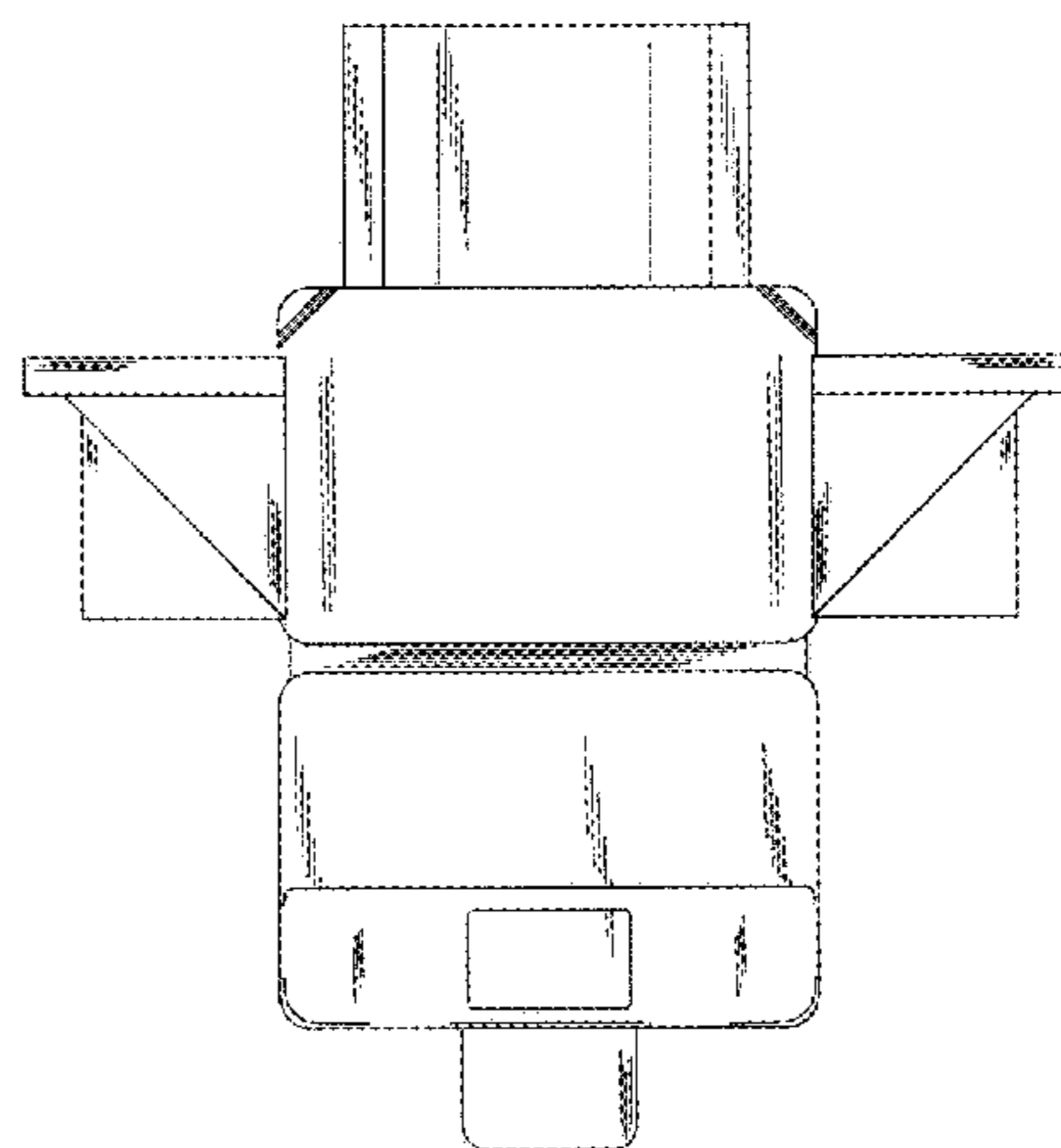
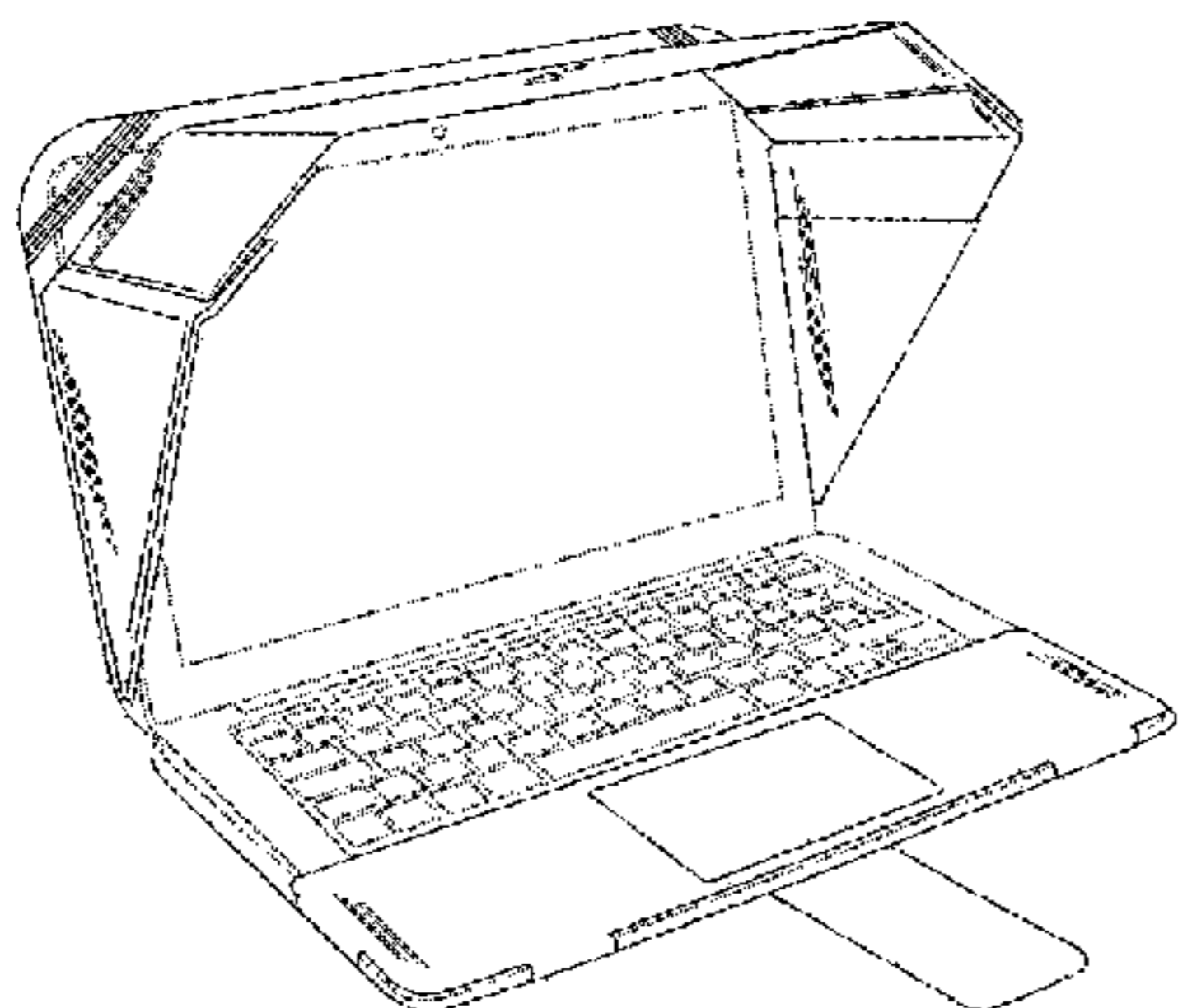
FIG. 9 is a left side view on a reduced scale thereof, shown in a closed condition, right side view being a mirror image thereto.

FIG. 10 is a front view on a reduced scale thereof, shown in the closed condition; and,

FIG. 11 is a back view on a reduced scale thereof, shown in the closed condition.

The claimed cover is for electronic devices fitted with a flat display including laptops, tablets, mobile phones, portable DVD displays etc. The cover protects the device as well as the user from undesirable optical challenges, e.g., glare from

(Continued)



sunlight or where light conditions make it challenging to view the display satisfactorily.

1 Claim, 6 Drawing Sheets

(58) **Field of Classification Search**

CPC G06F 1/1628; G06F 1/1613; G06F 1/1626;
A47B 23/044

See application file for complete search history.

(56) **References Cited**

U.S. PATENT DOCUMENTS

D755,795 S *	5/2016	Kulovany	D14/440
D763,856 S *	8/2016	Moore	D14/440
2008/0302687 A1 *	12/2008	Sirichai	A45F 5/02 206/320

* cited by examiner

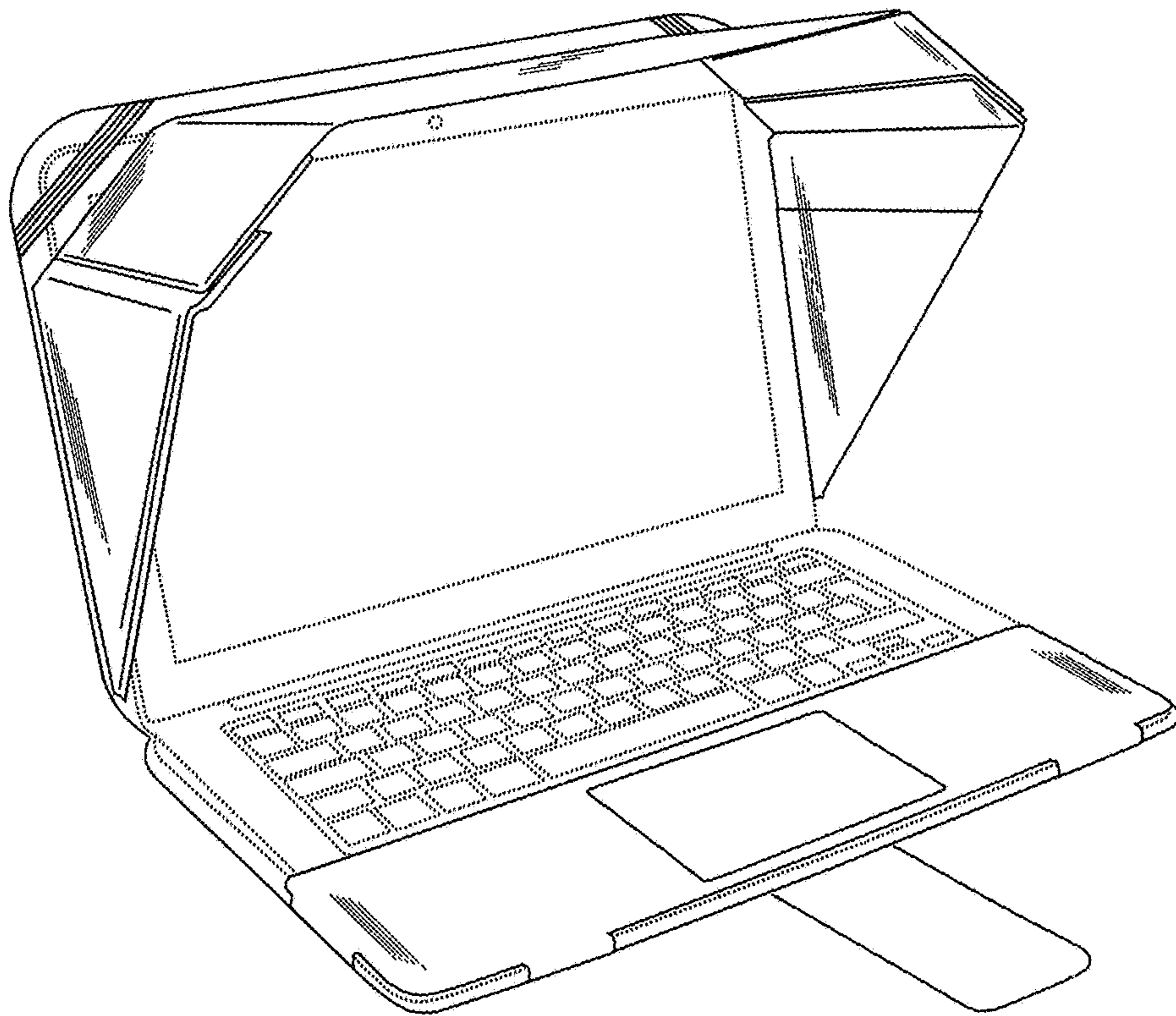


FIG. 1

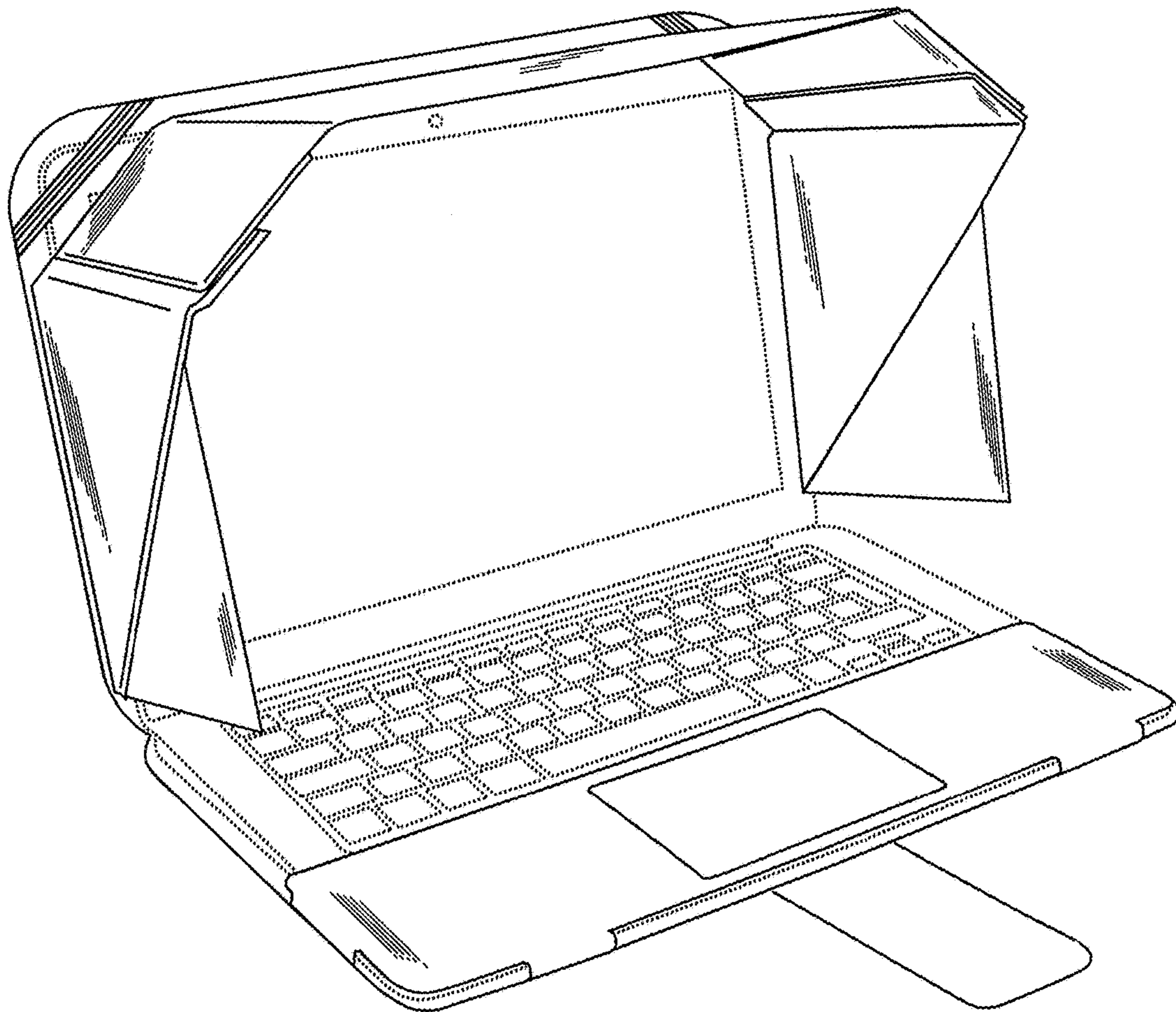


FIG. 2

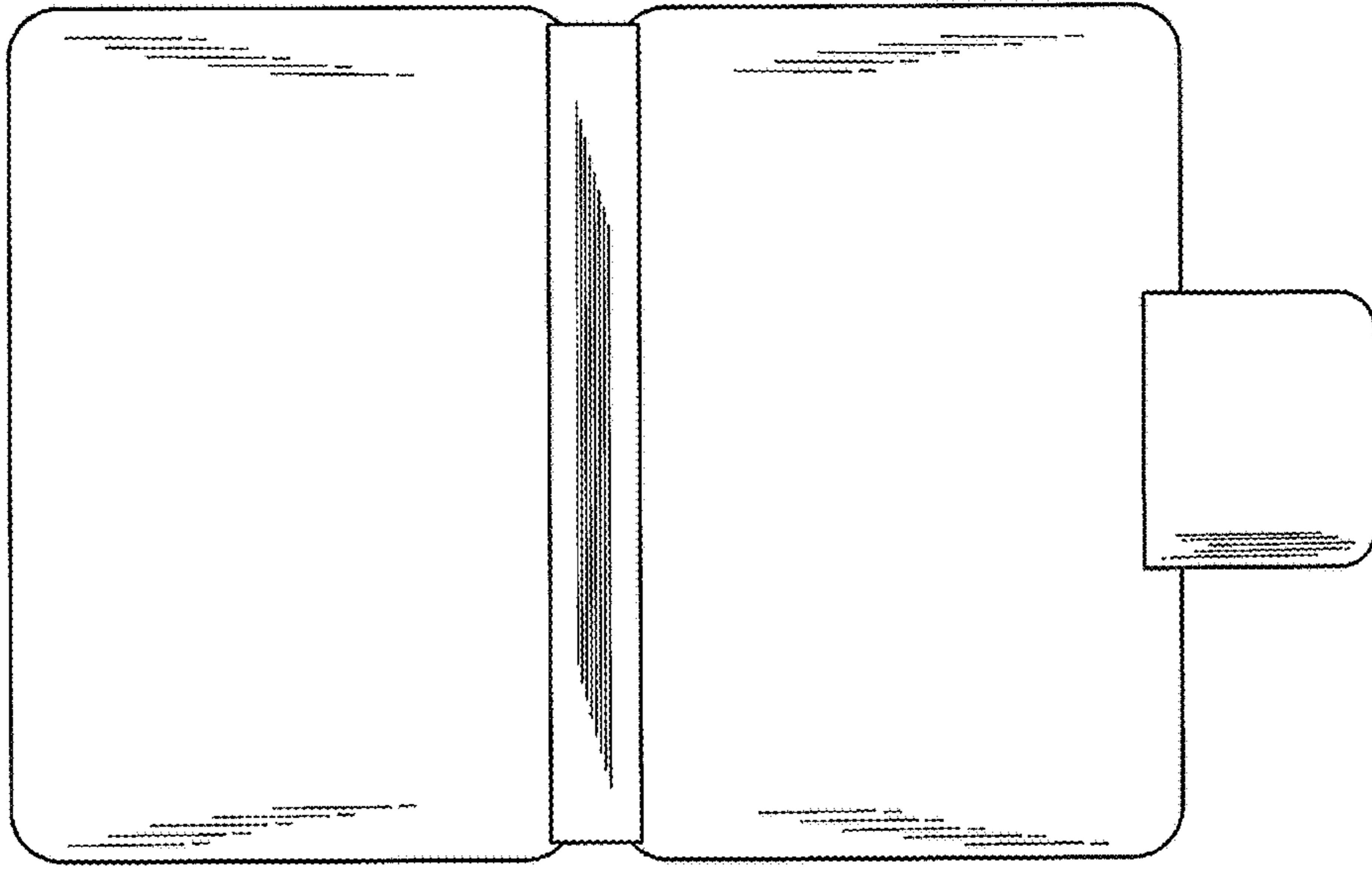


FIG. 4

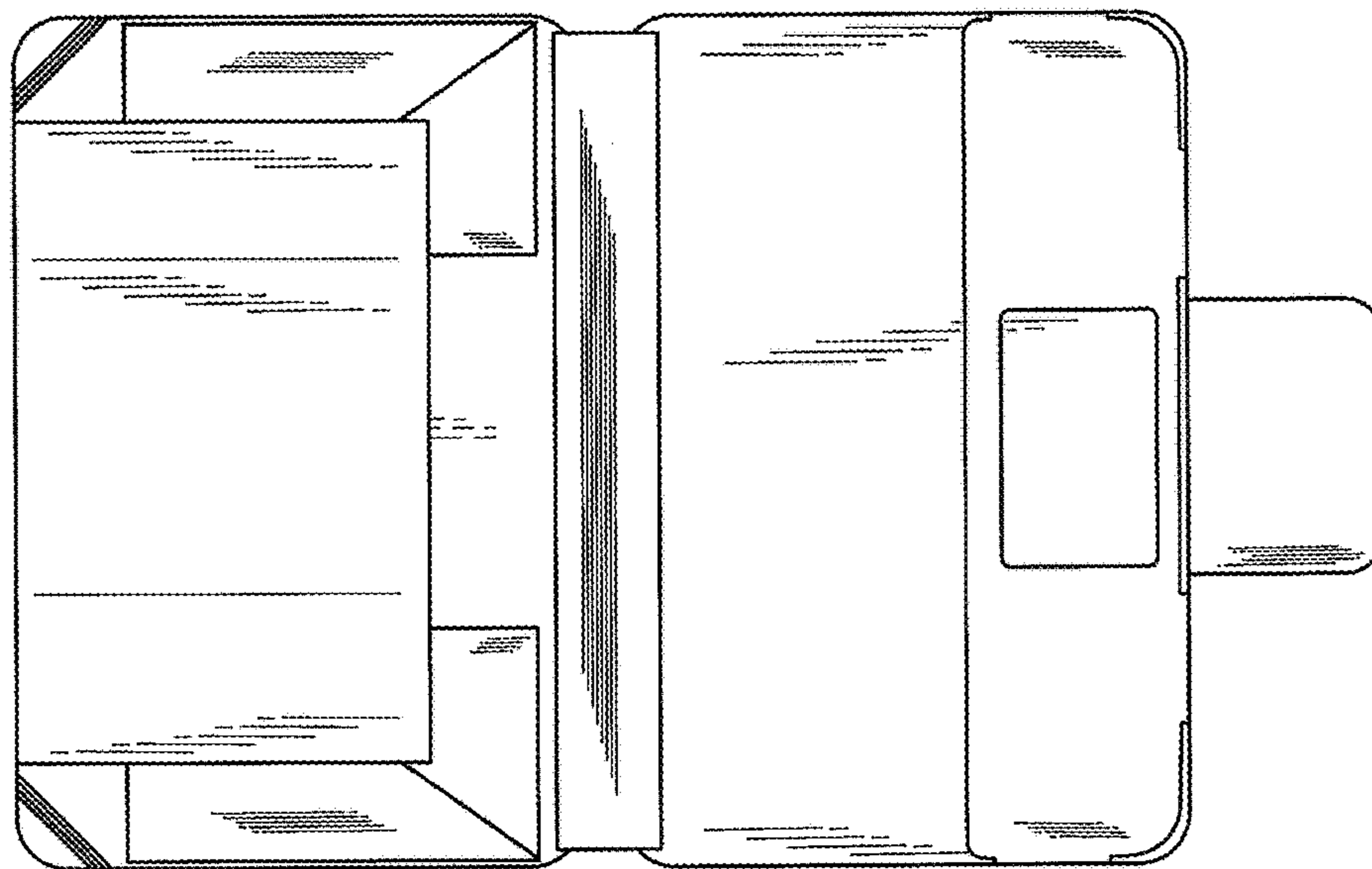


FIG. 3

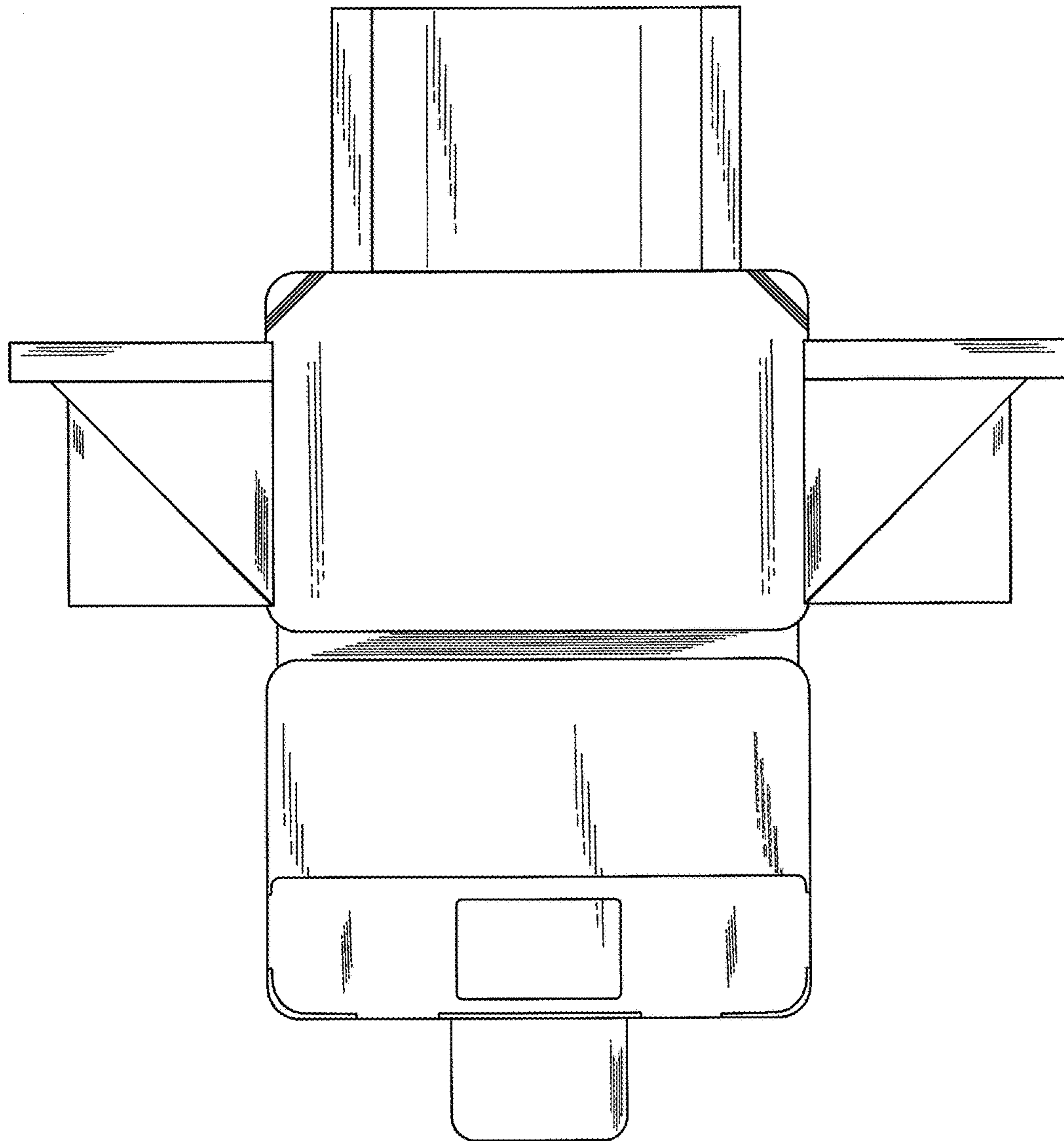


FIG. 5

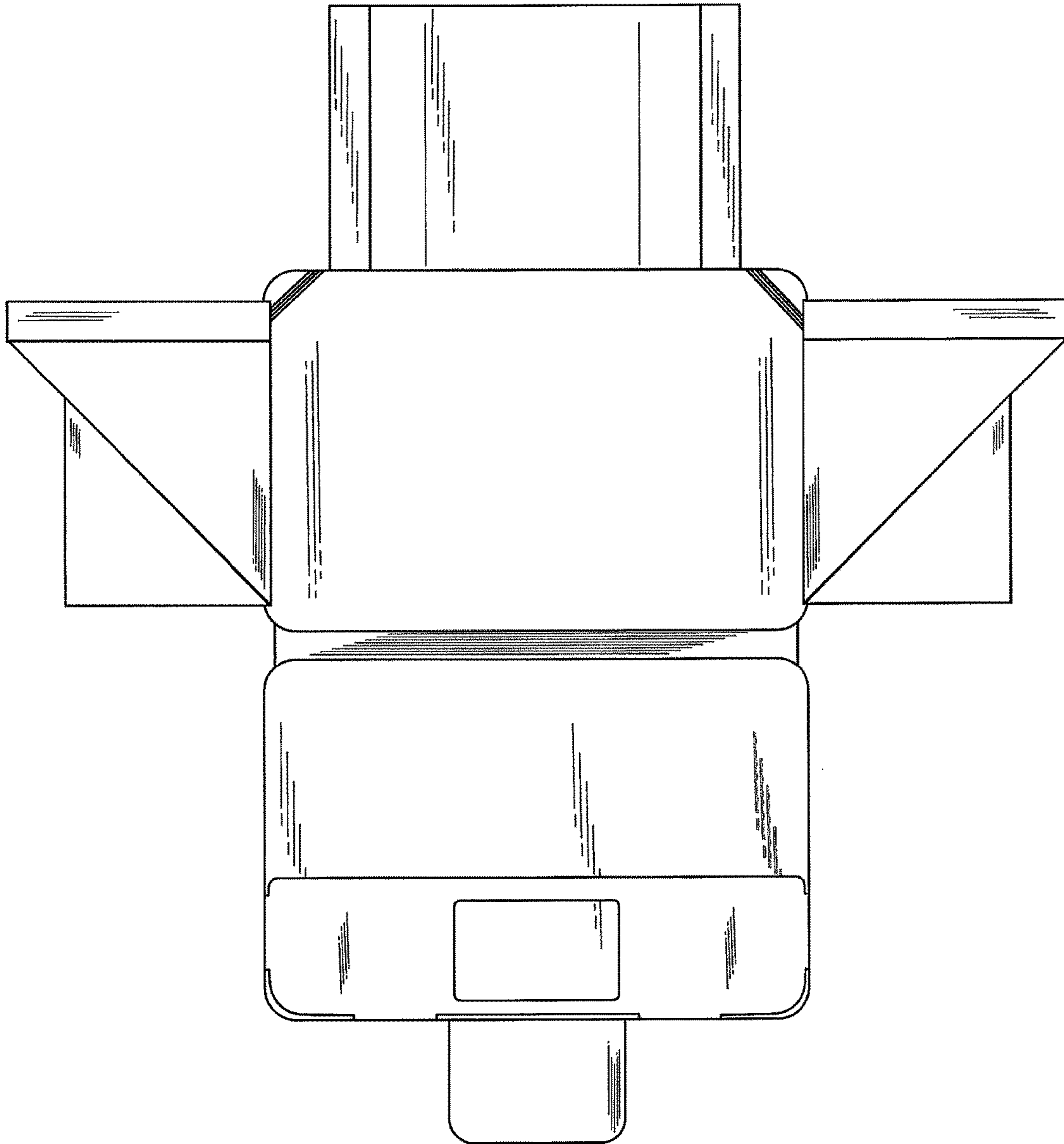


FIG. 6

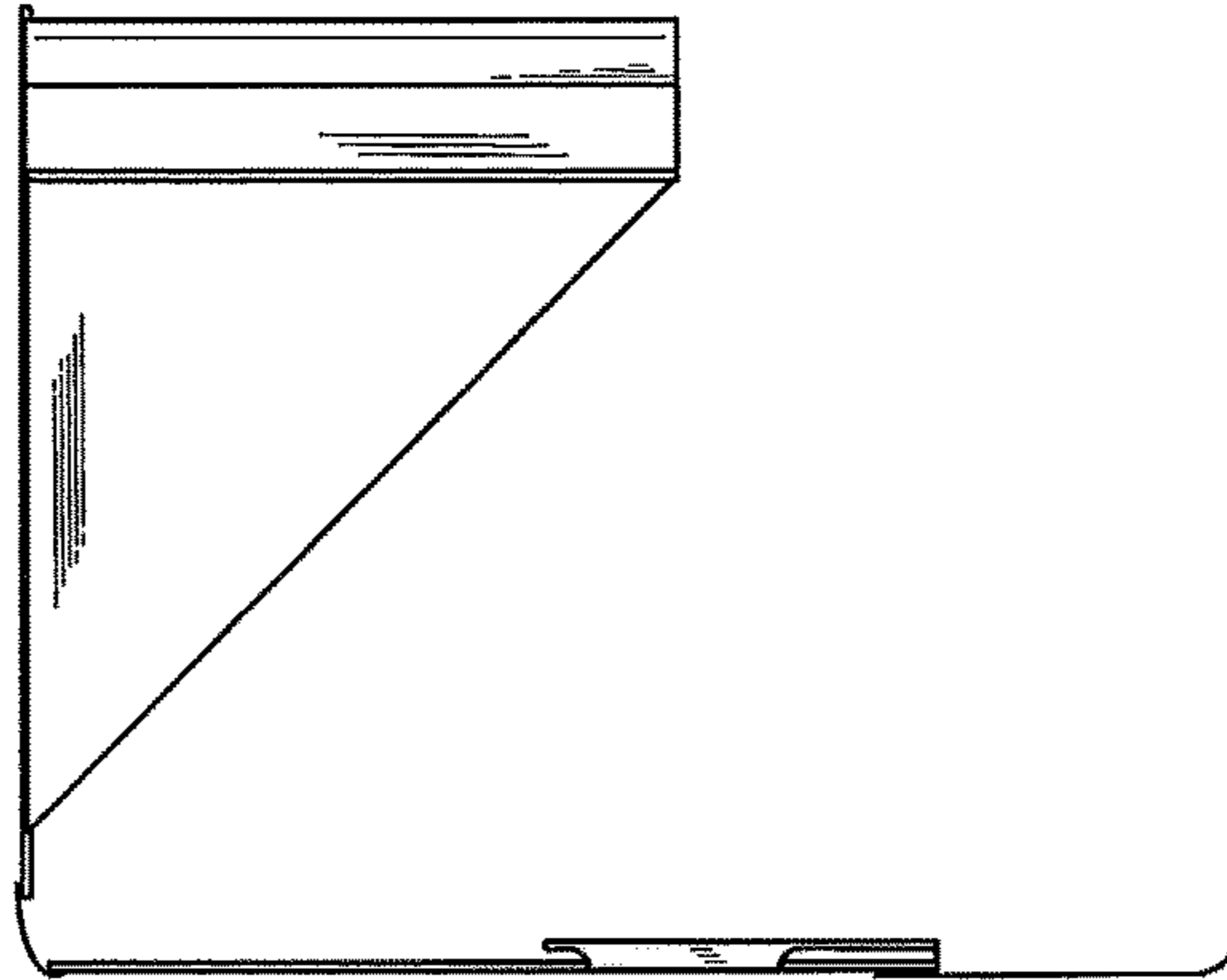


FIG. 7

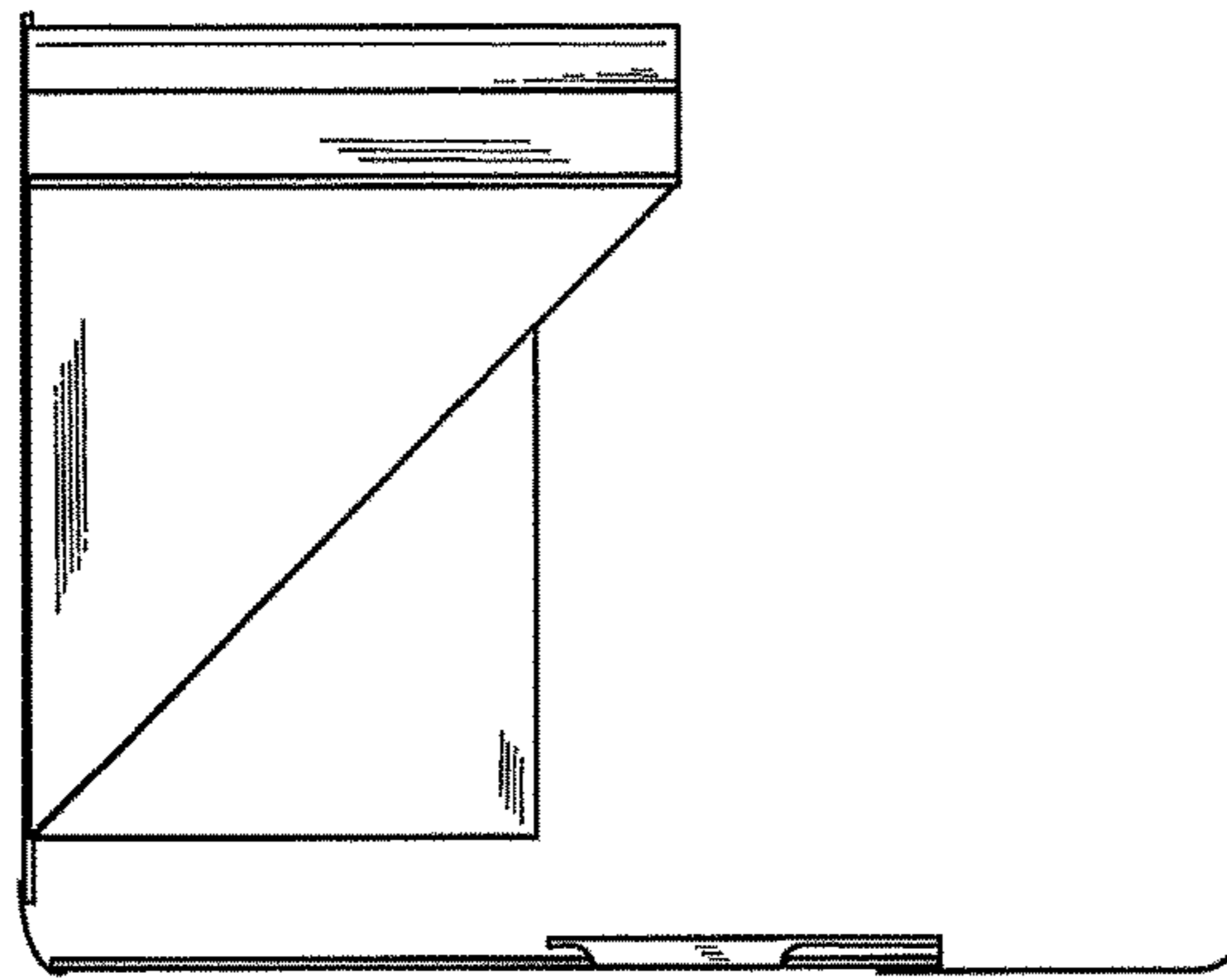


FIG. 8



FIG. 9



FIG. 10



FIG. 11