



US00D790550S

(12) **United States Design Patent**
Chen

(10) **Patent No.:** **US D790,550 S**

(45) **Date of Patent:** **** Jun. 27, 2017**

(54) **CASE FOR ELECTRONIC DEVICE**

(71) Applicant: **Jinliang Chen**, Shenzhen (CN)

(72) Inventor: **Jinliang Chen**, Shenzhen (CN)

(**) Term: **15 Years**

(21) Appl. No.: **29/552,361**

(22) Filed: **Jan. 21, 2016**

(51) **LOC (10) Cl.** **14-02**

(52) **U.S. Cl.**
USPC **D14/440**

(58) **Field of Classification Search**
USPC D14/250, 440, 447; 206/45.23, 320,
206/45.2; 361/679.55; 294/25; 224/218,
224/222; D9/414; D3/29; D11/3
CPC G06F 1/1628; G06F 1/1667; G06F 1/1626;
A47B 23/044; H04B 1/3888; A45C 11/00
See application file for complete search history.

(56) **References Cited**

U.S. PATENT DOCUMENTS

D638,414	S	*	5/2011	Magness	D14/250
D660,305	S	*	5/2012	Ho	D14/447
D692,432	S	*	10/2013	Liu	D14/440
D701,211	S	*	3/2014	Ng	D14/440
D712,412	S	*	9/2014	Bleau	D14/440
8,863,953	B1	*	10/2014	Fager	B65D 71/14 206/320
D725,115	S	*	3/2015	Glanzer	D14/440
D725,119	S	*	3/2015	Gaylord	D14/440
D726,732	S	*	4/2015	Lay	D14/440
D732,543	S	*	6/2015	Westrup	D14/447
D733,154	S	*	6/2015	Armstrong	D14/440
D747,321	S	*	1/2016	London	D14/440

D749,069	S	*	2/2016	Senoff	D14/251
D749,083	S	*	2/2016	Senoff	D14/451
D749,559	S	*	2/2016	Senoff	D14/251
D757,731	S	*	5/2016	Nguyen	D14/440
D759,658	S	*	6/2016	Lai	D14/440
D763,853	S	*	8/2016	Pearce	D14/440
2011/0031287	A1	*	2/2011	Le Gette	F16M 11/04 224/101
2012/0075799	A1	*	3/2012	Pollex	F16M 11/041 361/679.56

* cited by examiner

Primary Examiner — Cynthia Underwood
(74) *Attorney, Agent, or Firm* — Novoclaims Patent
Services LLC; Mei Lin Wong

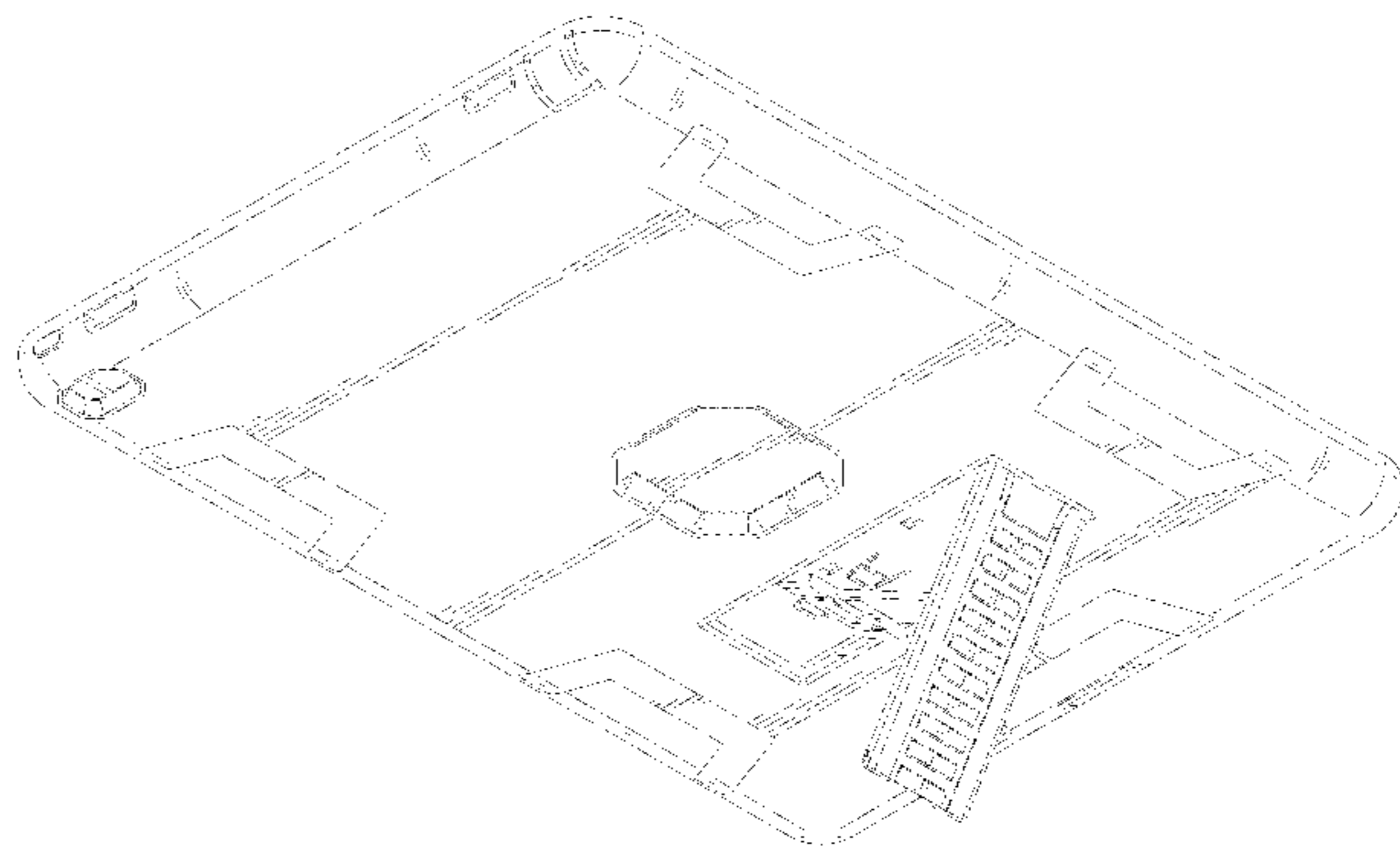
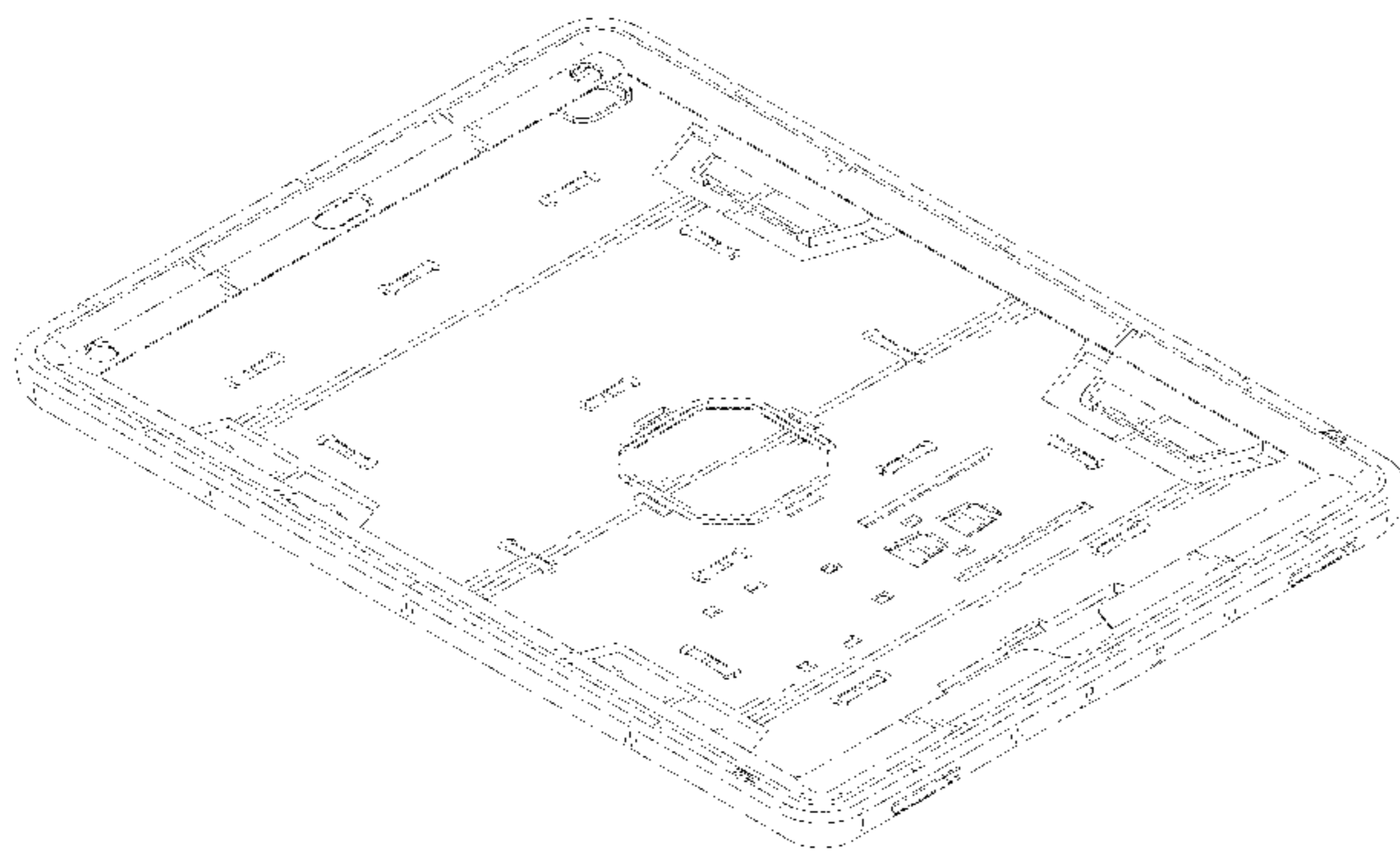
(57) **CLAIM**

The ornamental design for a case for electronic device, as shown and described.

DESCRIPTION

FIG. 1 is a perspective view of a case for electronic device showing my new design.
FIG. 2 is a rear perspective view thereof.
FIG. 3 is a front view thereof.
FIG. 4 is a rear view thereof.
FIG. 5 is a left end view thereof.
FIG. 6 is a right end view thereof.
FIG. 7 is a top view thereof.
FIG. 8 is a bottom view thereof.
FIG. 9 is a perspective view showing the case for electronic device in use with an electronic device; and,
FIG. 10 is a rear perspective view showing the case for electronic device in open position.
The broken lines shown in the drawings represent unclaimed subject matter and form no part of the claimed design.

1 Claim, 10 Drawing Sheets



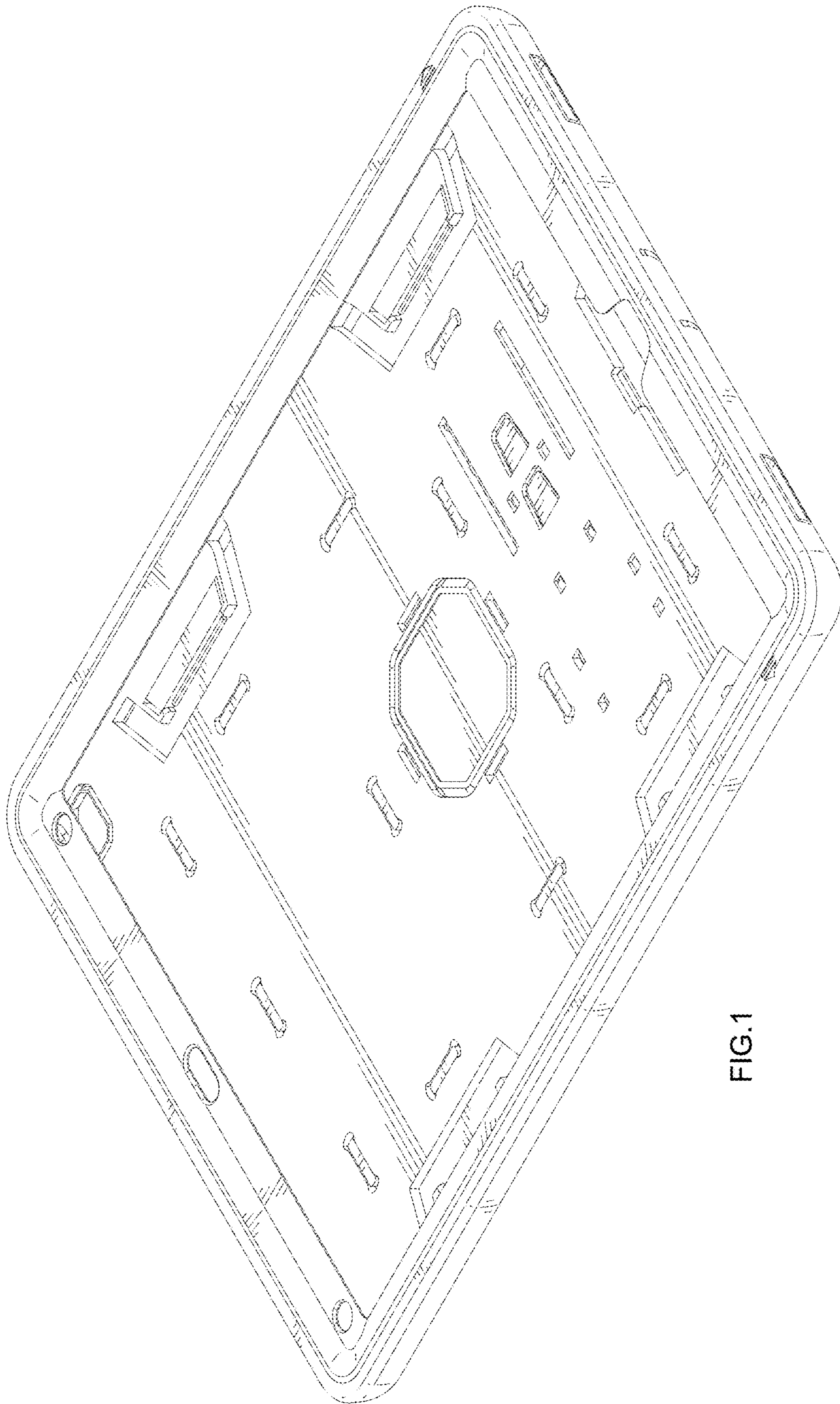


FIG.1

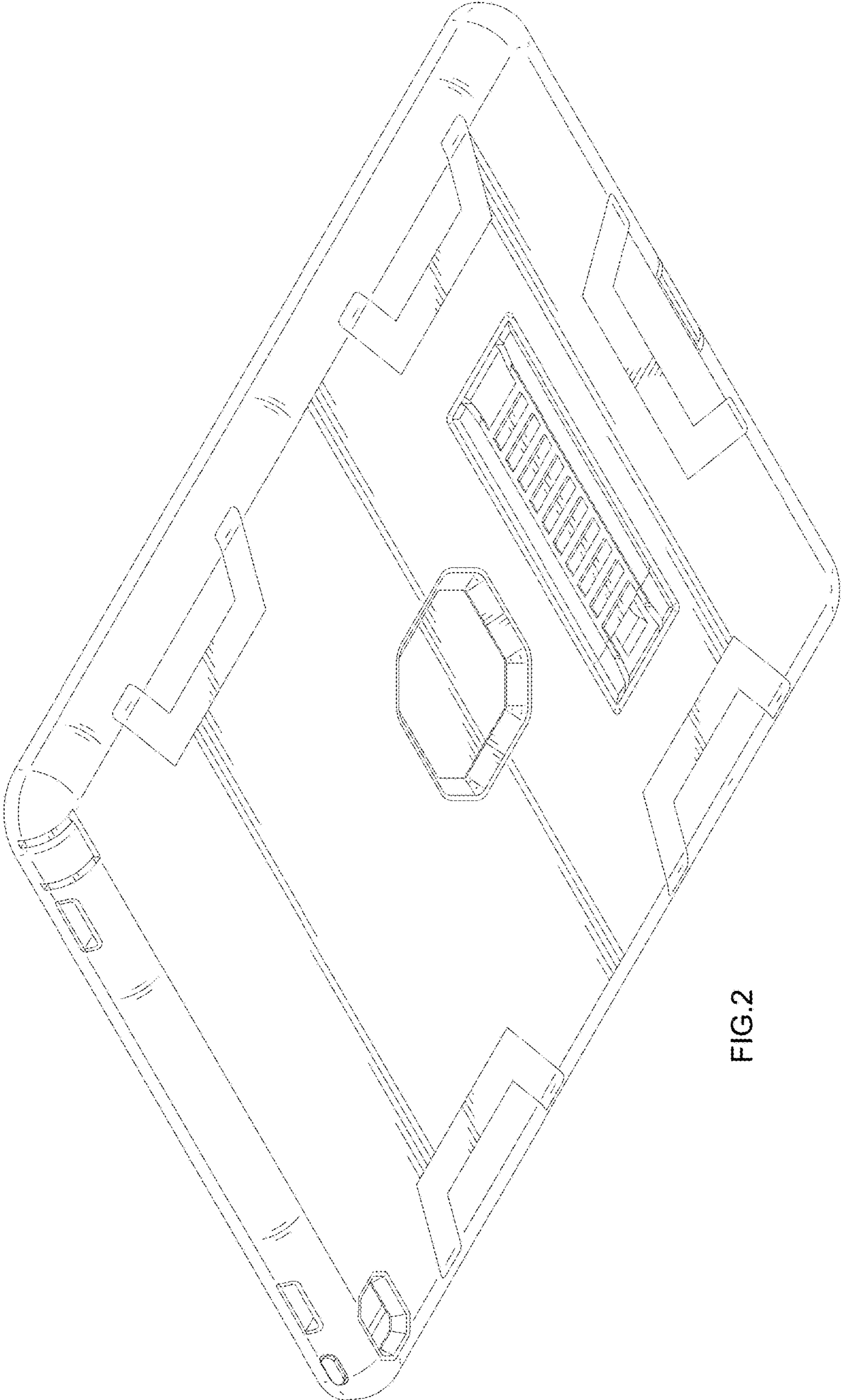


FIG.2

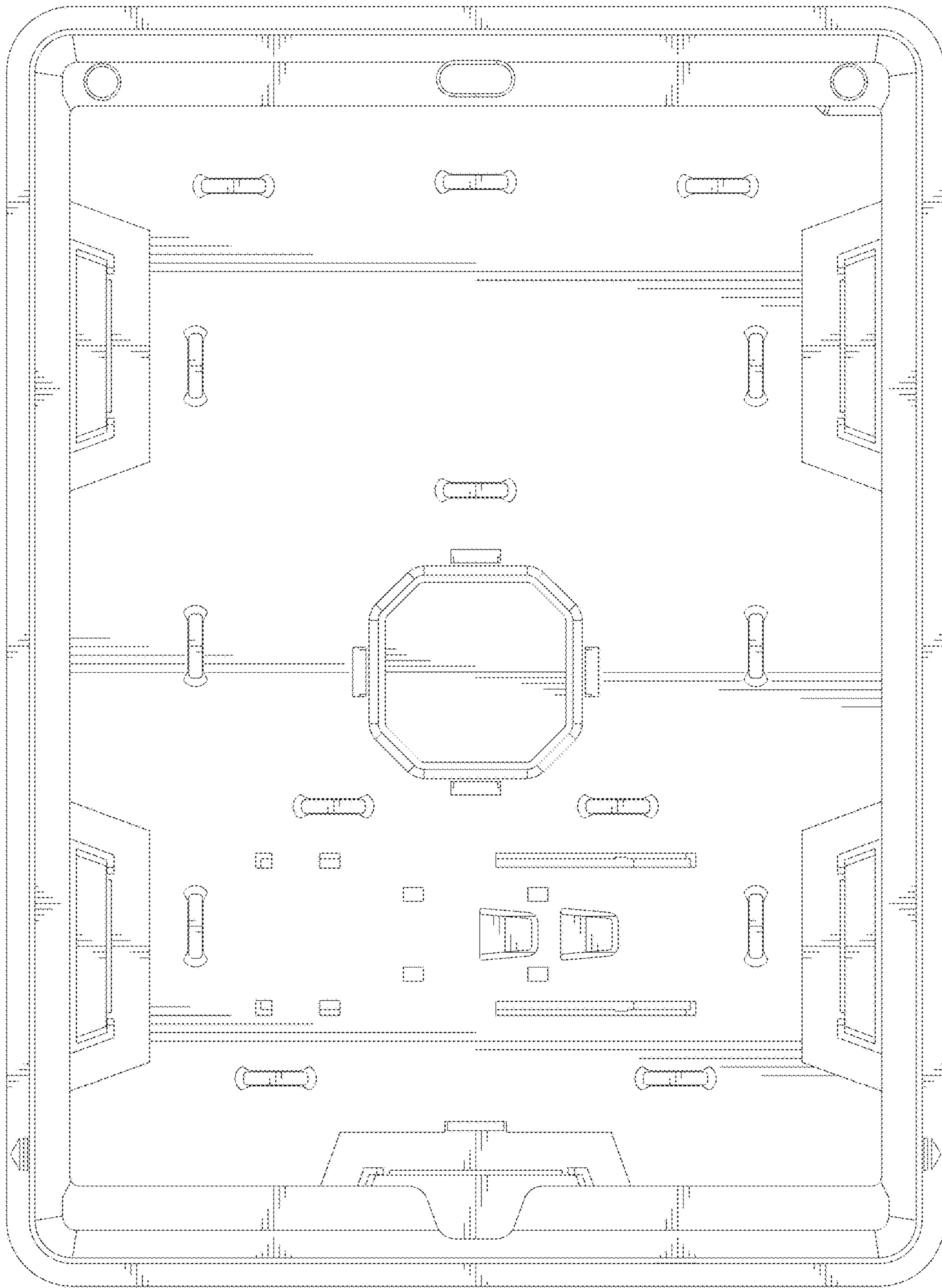


FIG.3

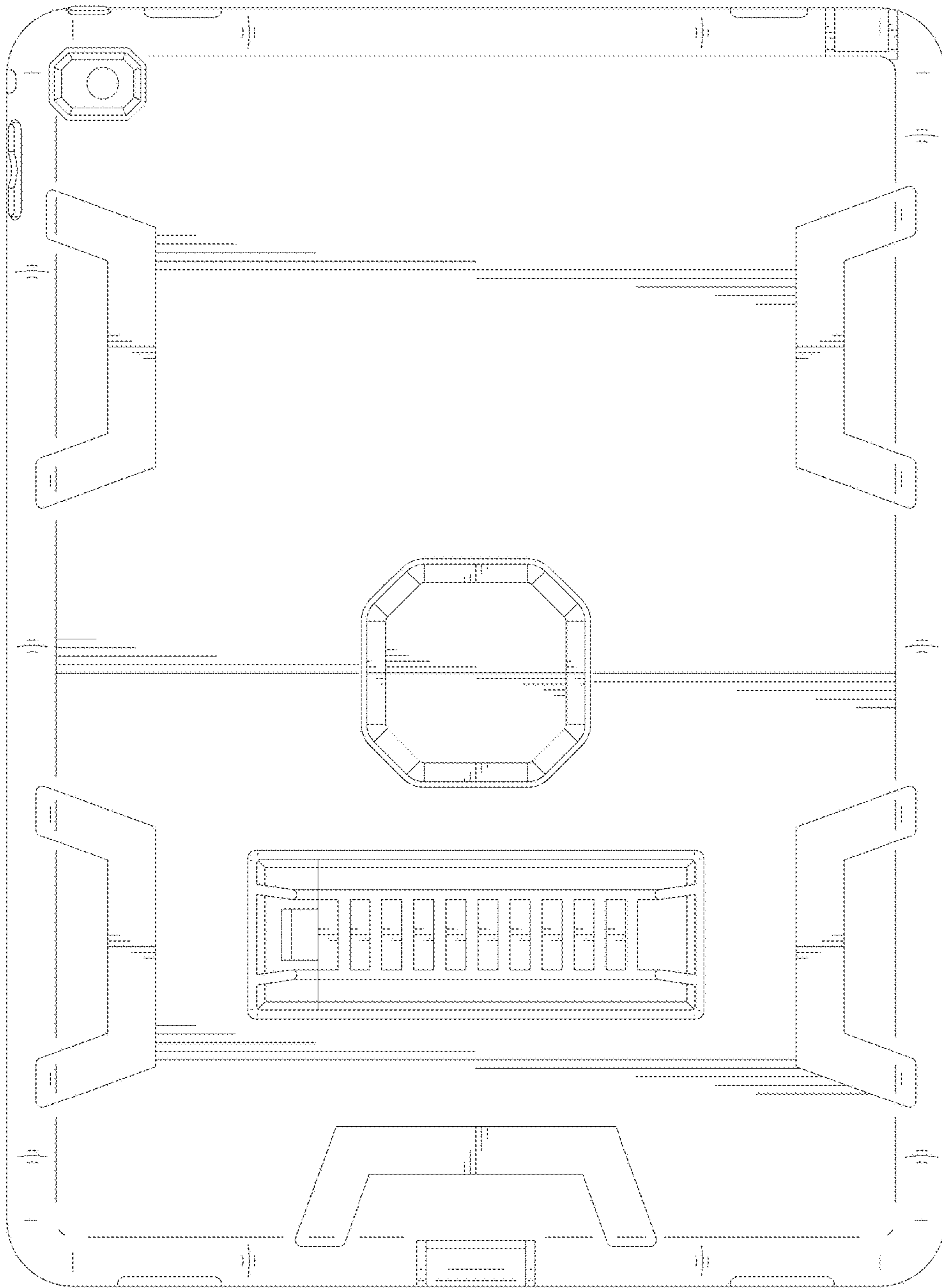


FIG.4

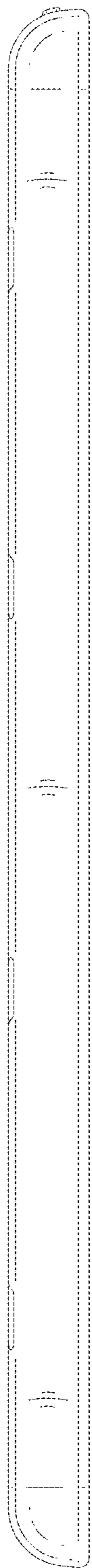


FIG.5

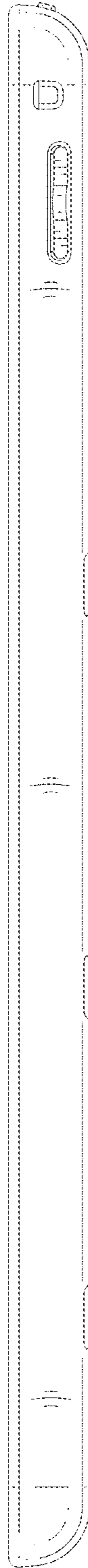


FIG.6

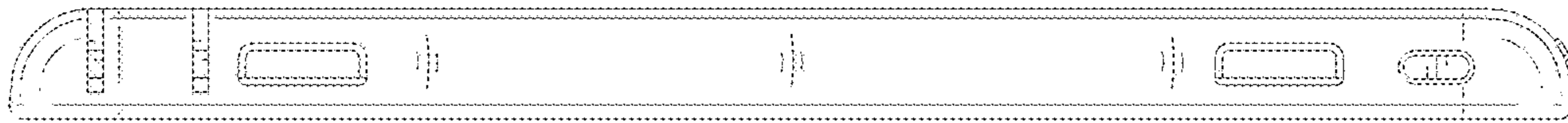


FIG.7

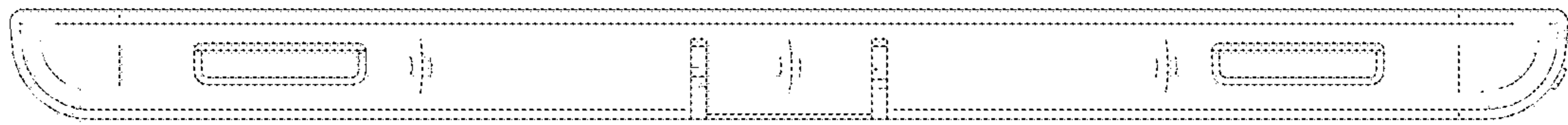


FIG.8

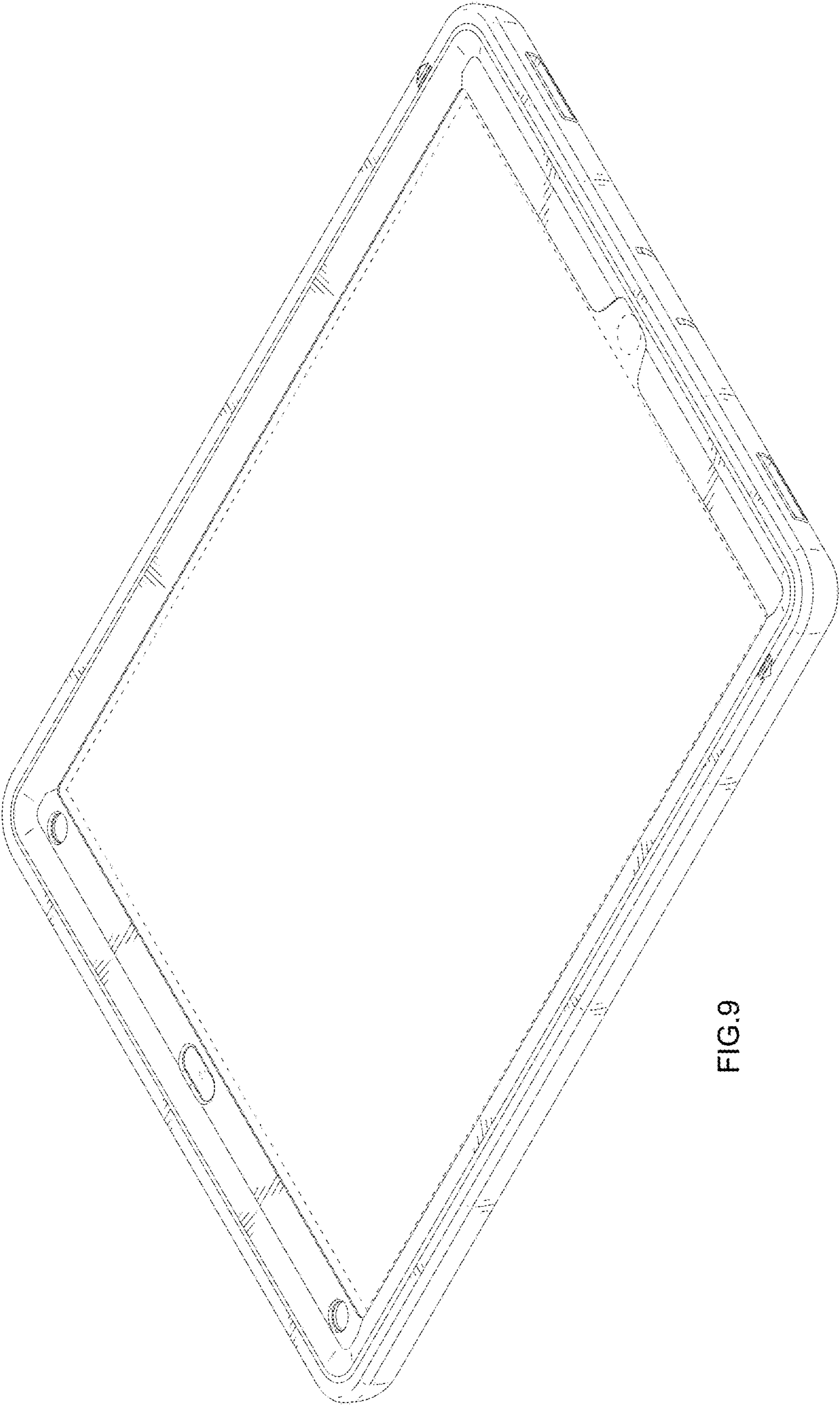


FIG.9

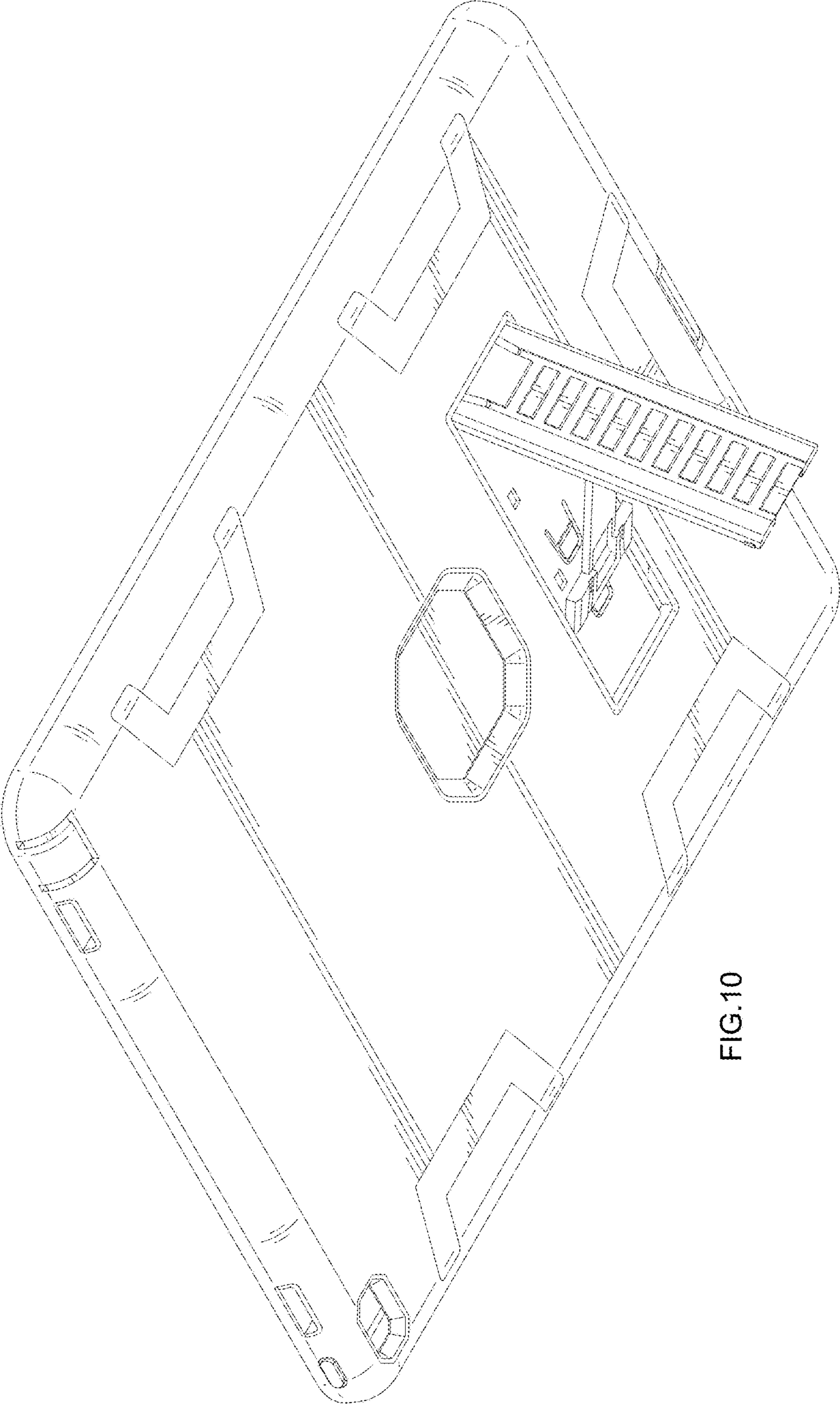


FIG.10