



US00D790548S

(12) **United States Design Patent**  
**Buel**

(10) **Patent No.:** **US D790,548 S**

(45) **Date of Patent:** **\*\* Jun. 27, 2017**

(54) **WIRELESS-COMMUNICATION DONGLE**

(71) Applicant: **Ruckus Wireless, Inc.**, Sunnyvale, CA (US)

(72) Inventor: **William Buel**, San Jose, CA (US)

(73) Assignee: **Ruckus Wireless, Inc.**, Sunnyvale, CA (US)

(\*\*) Term: **15 Years**

(21) Appl. No.: **29/555,313**

(22) Filed: **Feb. 19, 2016**

(51) **LOC (10) Cl.** ..... **14-02**

(52) **U.S. Cl.**  
USPC ..... **D14/435.1; D14/240**

(58) **Field of Classification Search**  
USPC .... D14/125, 138 C, 138 R, 140.1, 155, 159,  
D14/167, 230, 231, 232, 233, 234, 235,  
D14/236, 237, 238, 240, 242, 243, 299,  
D14/348, 349, 351, 353, 354, 355, 356,  
D14/357, 358, 367, 385, 433, 435, 436,  
D14/474, 480, 496, 435.1; D13/123, 184;  
D10/75, 104.1

See application file for complete search history.

(56) **References Cited**

**U.S. PATENT DOCUMENTS**

D556,199 S	*	11/2007	Song	.....	D14/357
D563,334 S	*	3/2008	Wang	.....	D14/125
D603,864 S	*	11/2009	Borislow	.....	D14/435.1
D641,019 S	*	7/2011	Chen	.....	D14/356
D741,833 S	*	10/2015	Reimer	.....	D14/155
D746,252 S	*	12/2015	Reimer	.....	D14/155

\* cited by examiner

*Primary Examiner* — Robert M Spear

*Assistant Examiner* — John Voytek

(74) *Attorney, Agent, or Firm* — Steven Stupp

(57) **CLAIM**

The ornamental design for a wireless-communication dongle, as shown and described.

**DESCRIPTION**

FIG. 1 is a perspective view of a wireless-communication dongle showing my new design;

FIG. 2 is an alternative perspective view of the wireless-communication dongle;

FIG. 3 is another alternative perspective view of the wireless-communication dongle mated with an optional electronic device;

FIG. 4 is a color picture with a front view of the wireless-communication dongle;

FIG. 5 is a color picture with a back view of the wireless-communication dongle;

FIG. 6 is a color picture with a left side view of the wireless-communication dongle;

FIG. 7 is a color picture with a right side view of the wireless-communication dongle;

FIG. 8 is a color picture with a top view of the wireless-communication dongle;

FIG. 9 is a color picture with a bottom view of the wireless-communication dongle;

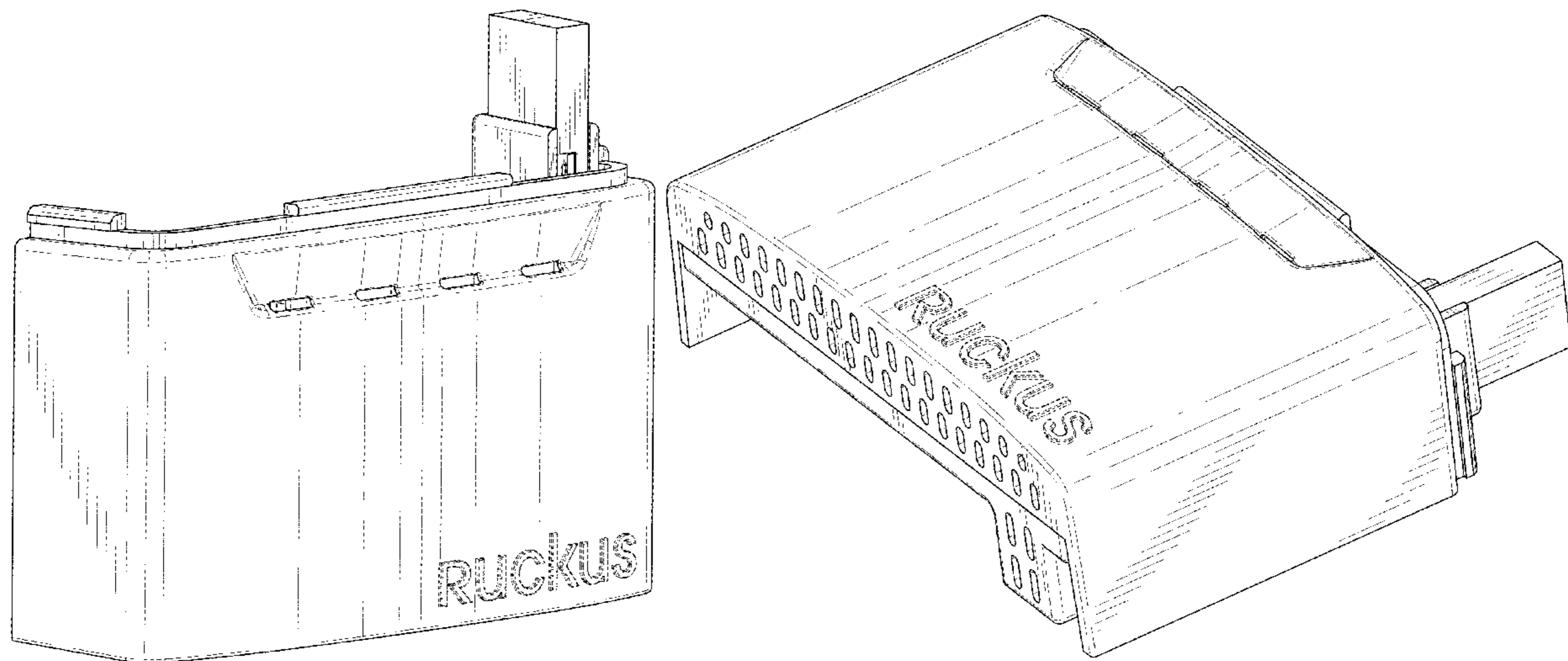
FIG. 10 is a color picture with a perspective view of the wireless-communication dongle;

FIG. 11 is a color picture with an alternative perspective view of the wireless-communication dongle; and,

FIG. 12 is a color picture with another alternative perspective view of the wireless-communication dongle mated with an optional electronic device.

In the drawings, the broken lines depict environmental subject matter only and form no part of the claimed design.

**1 Claim, 12 Drawing Sheets**



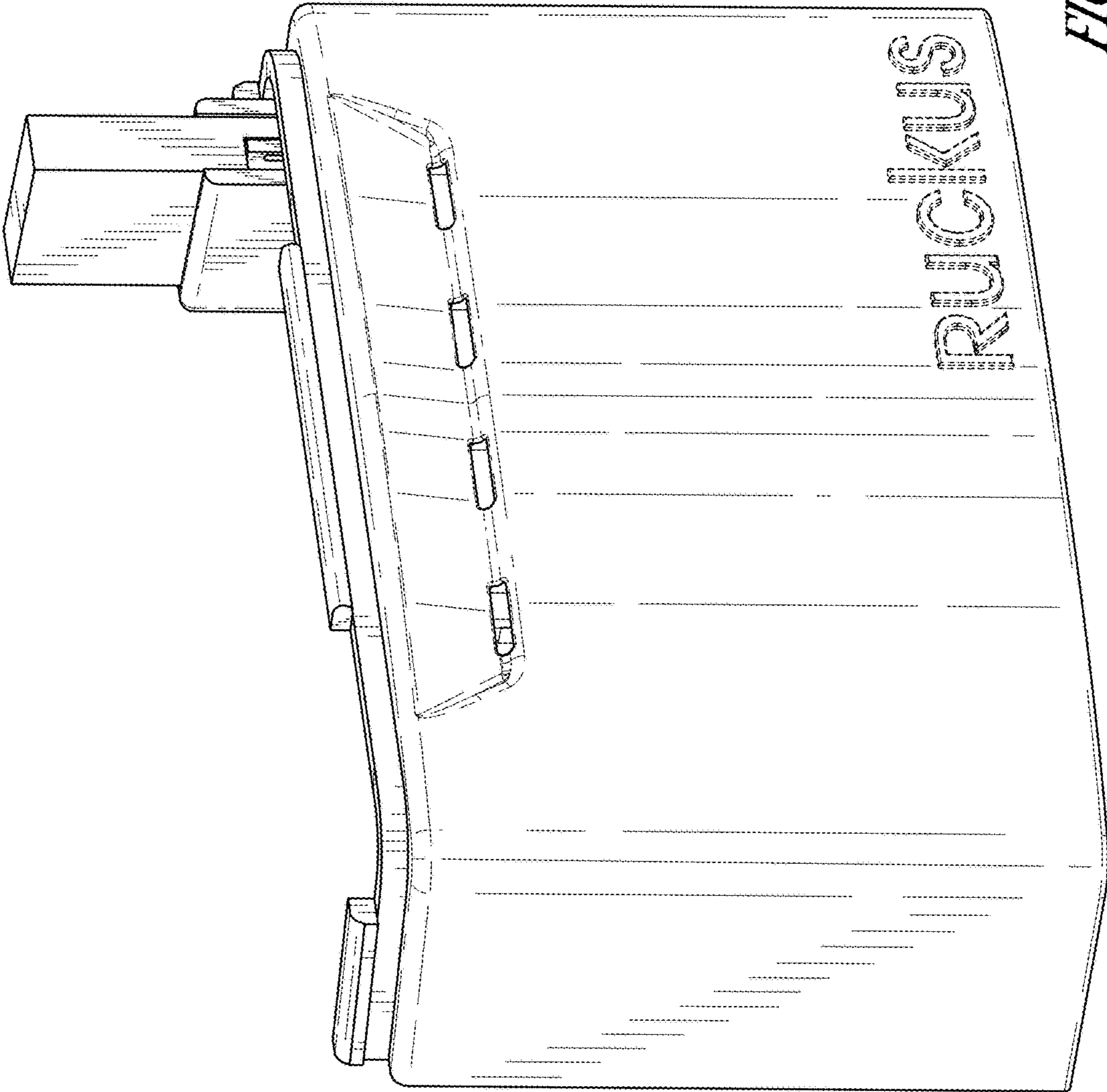


FIG. 1

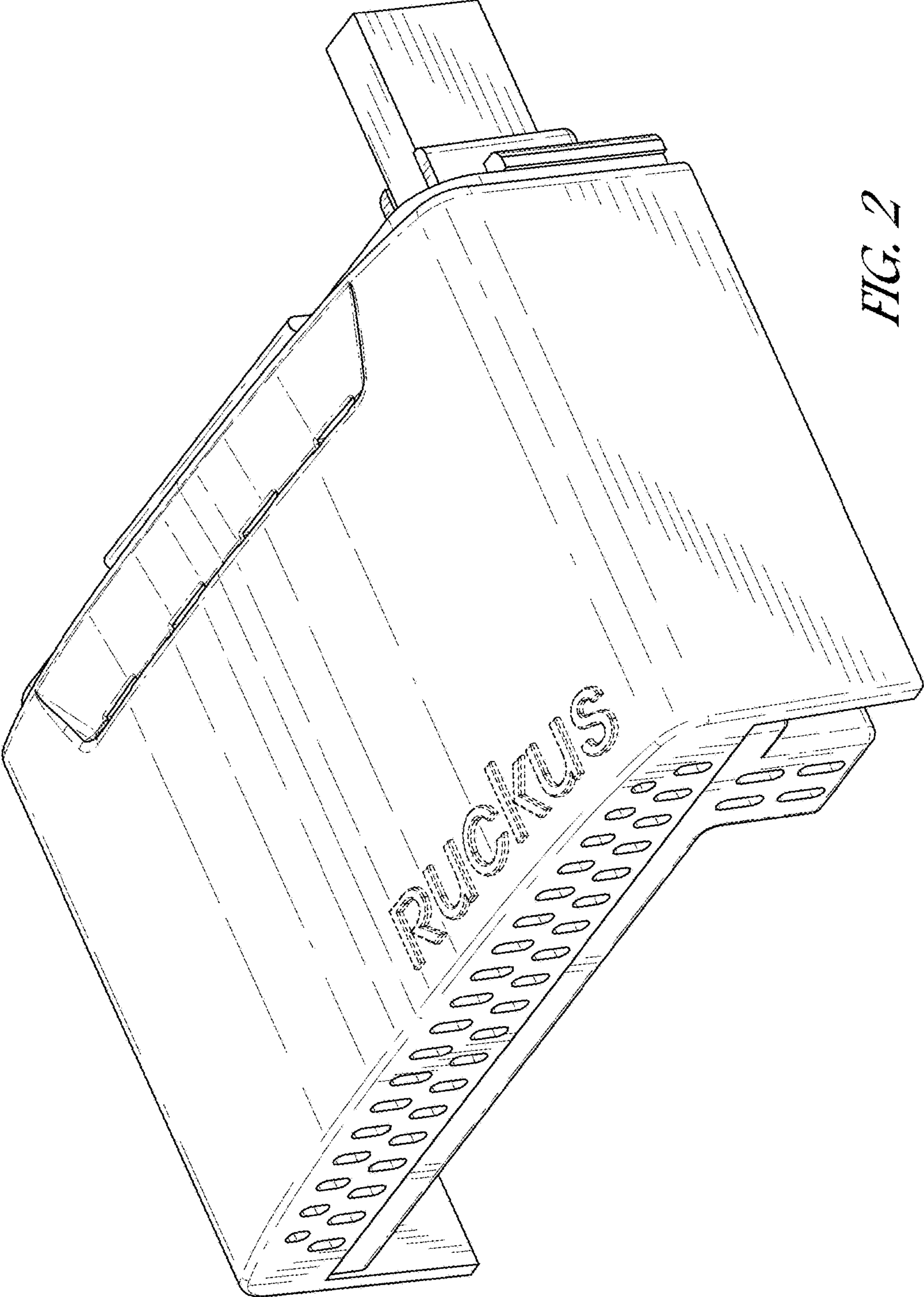
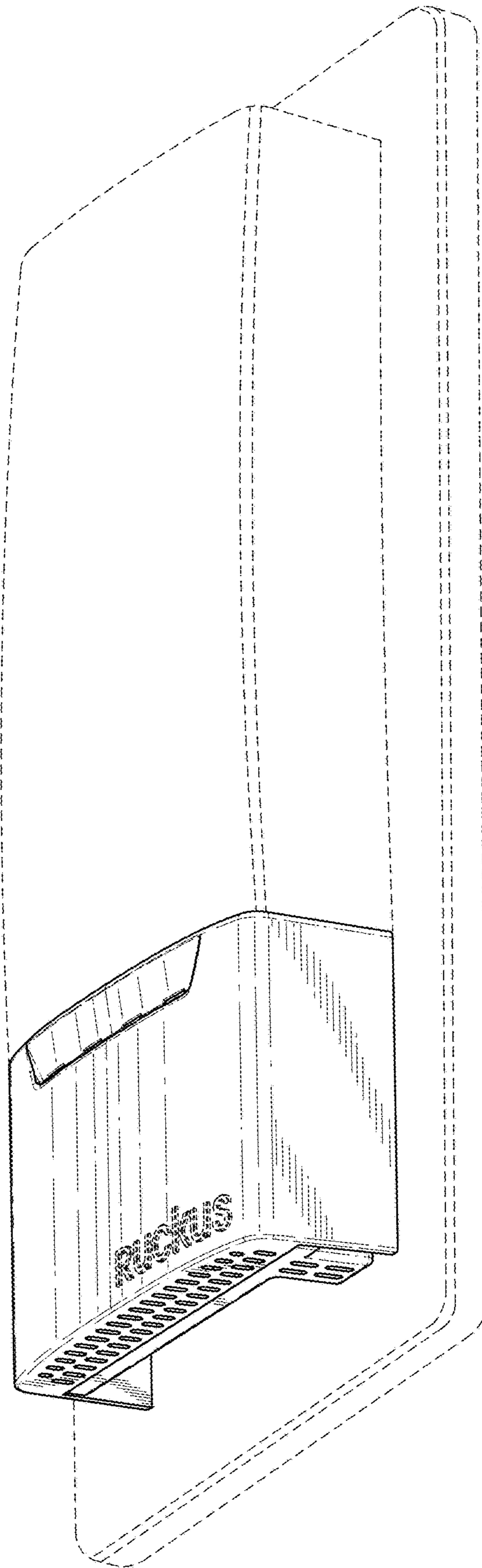


FIG. 2





*FIG. 3*

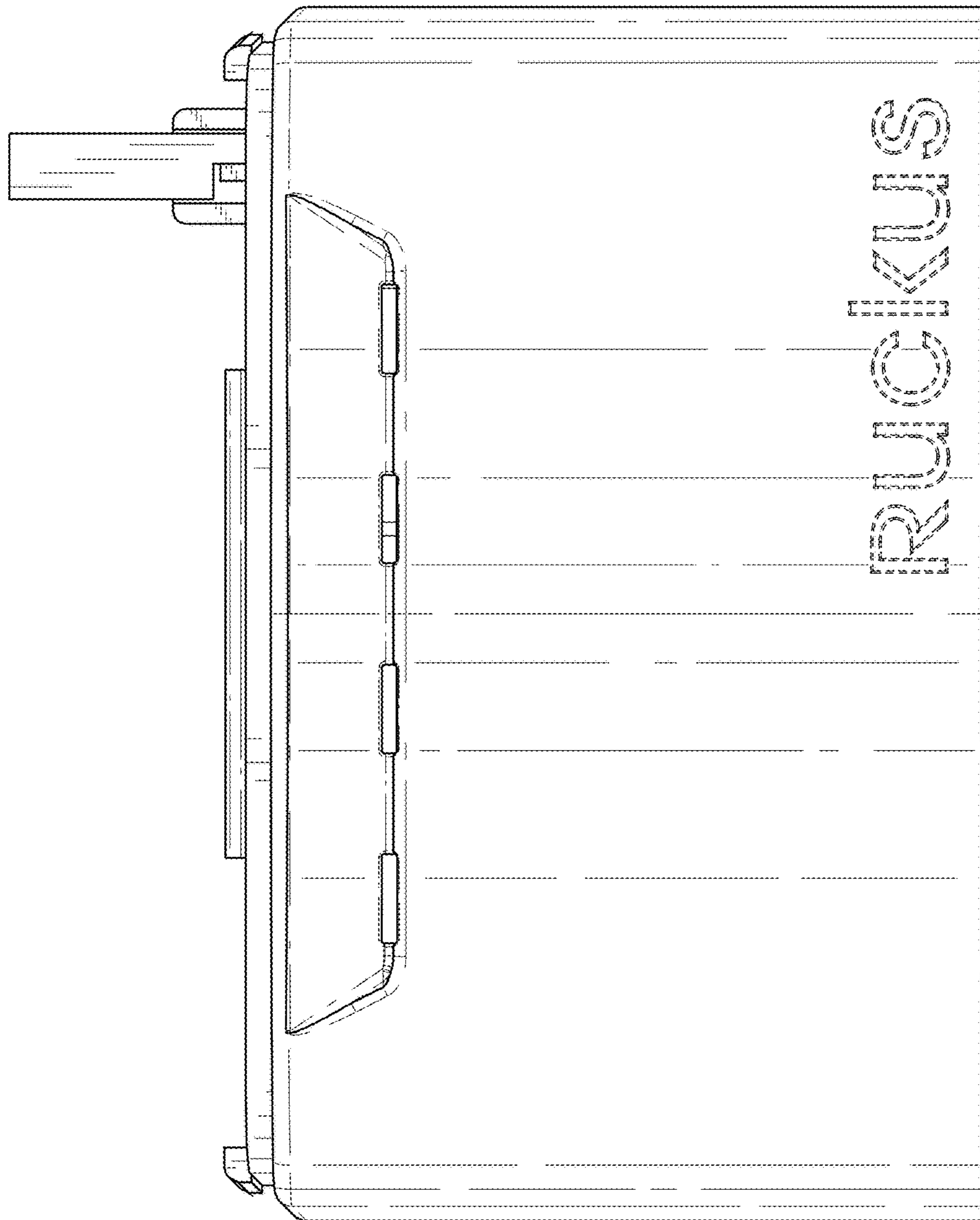


FIG. 4

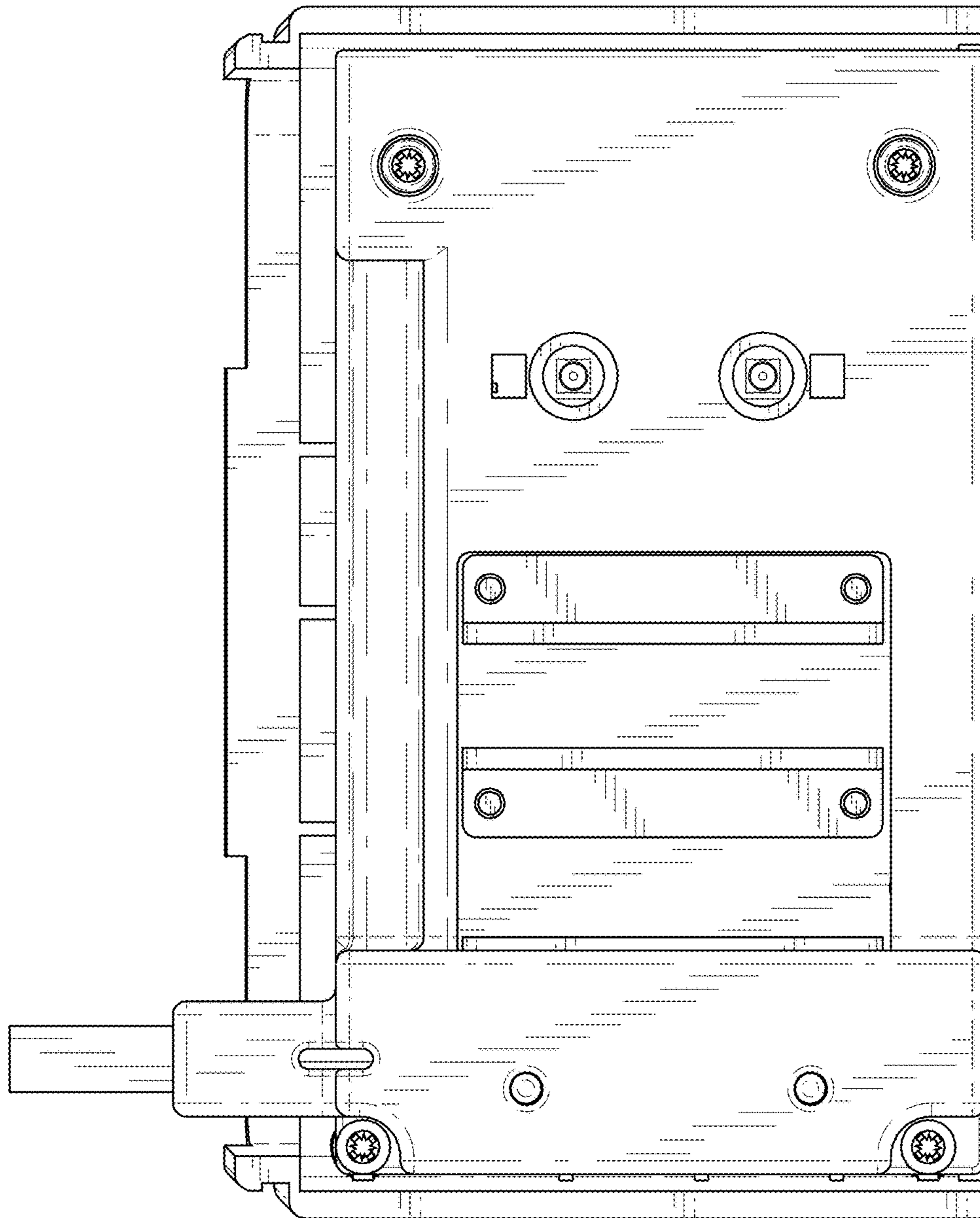
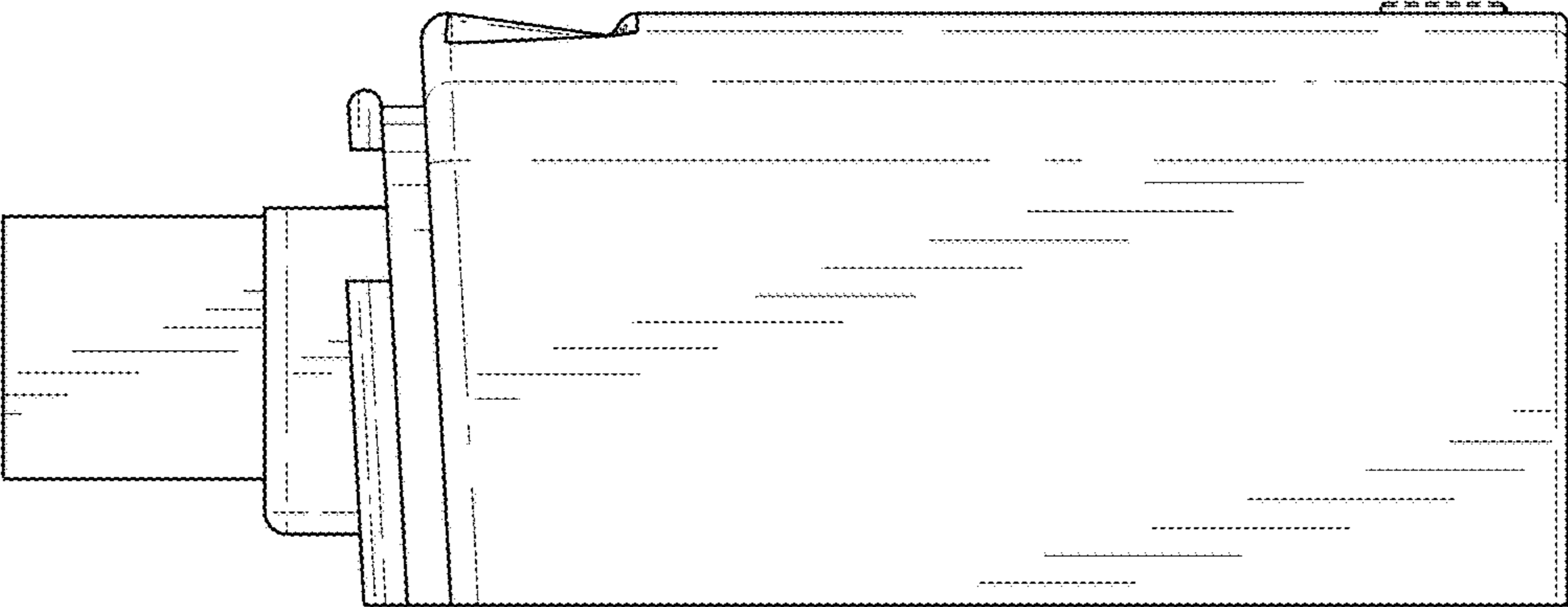


FIG. 5



*FIG. 6*

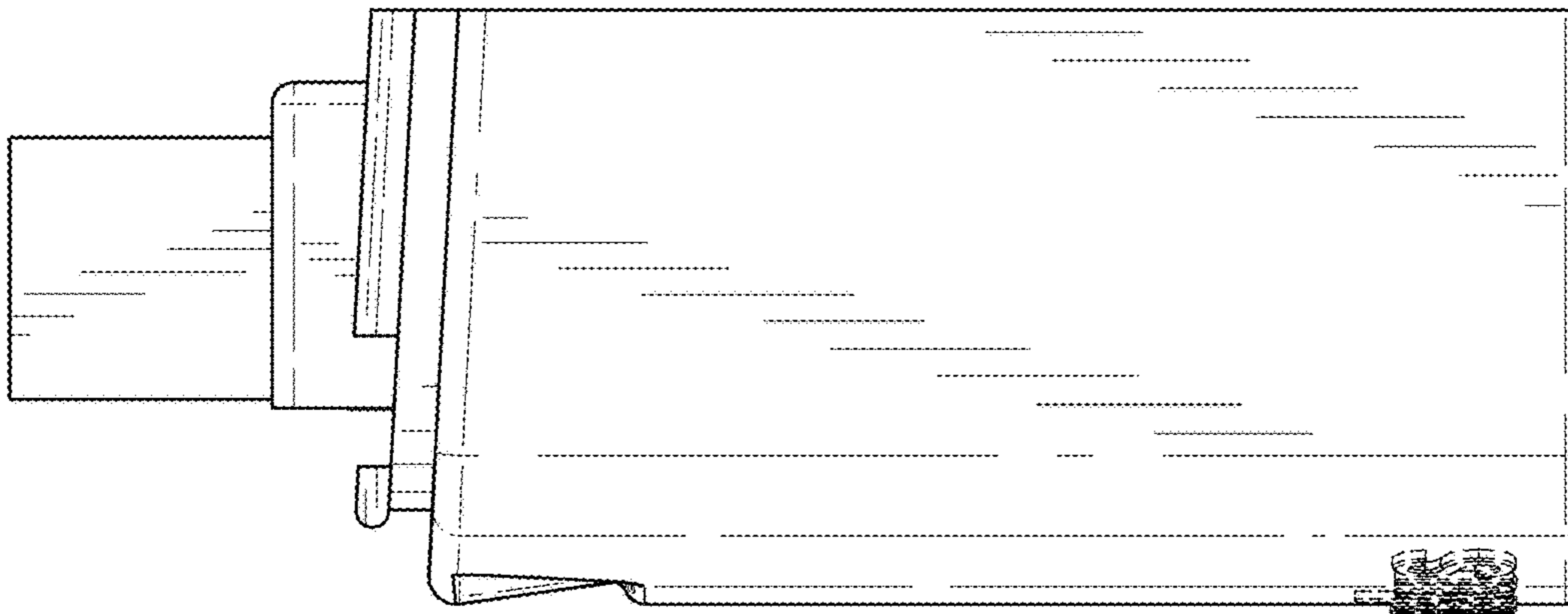


FIG. 7



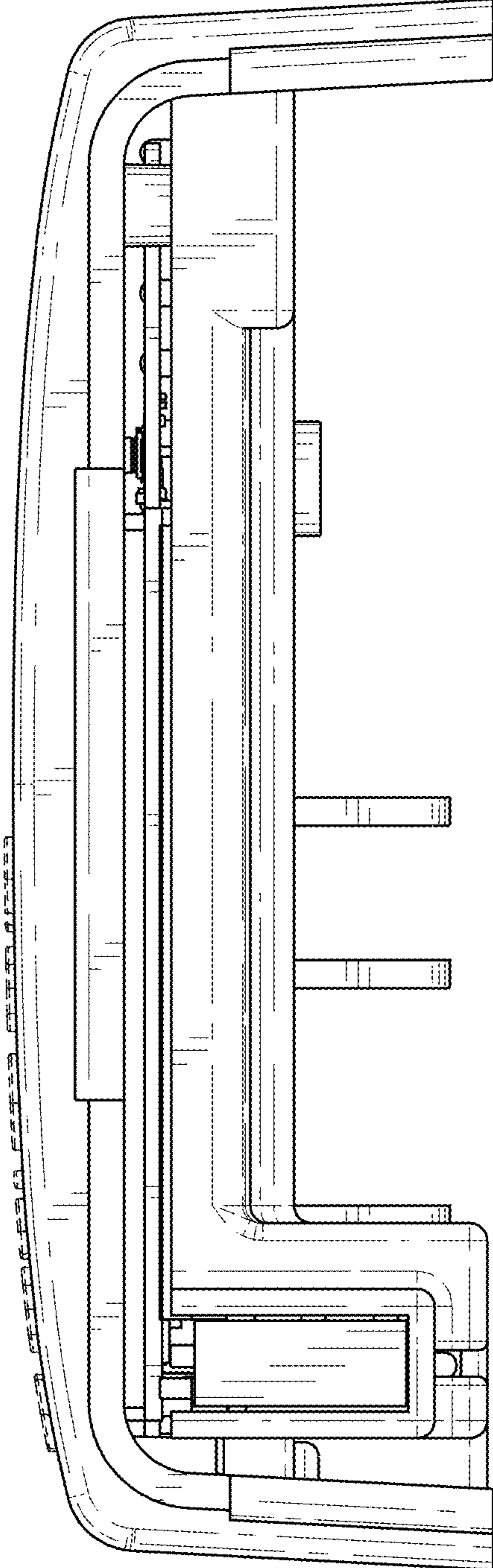


FIG. 8

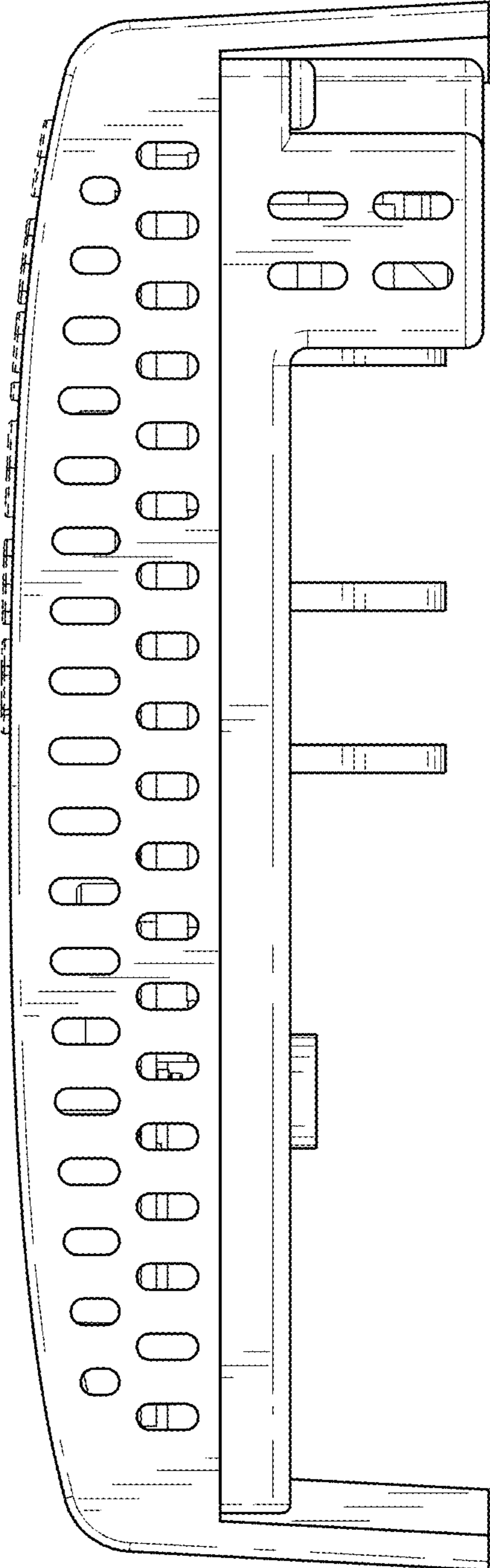
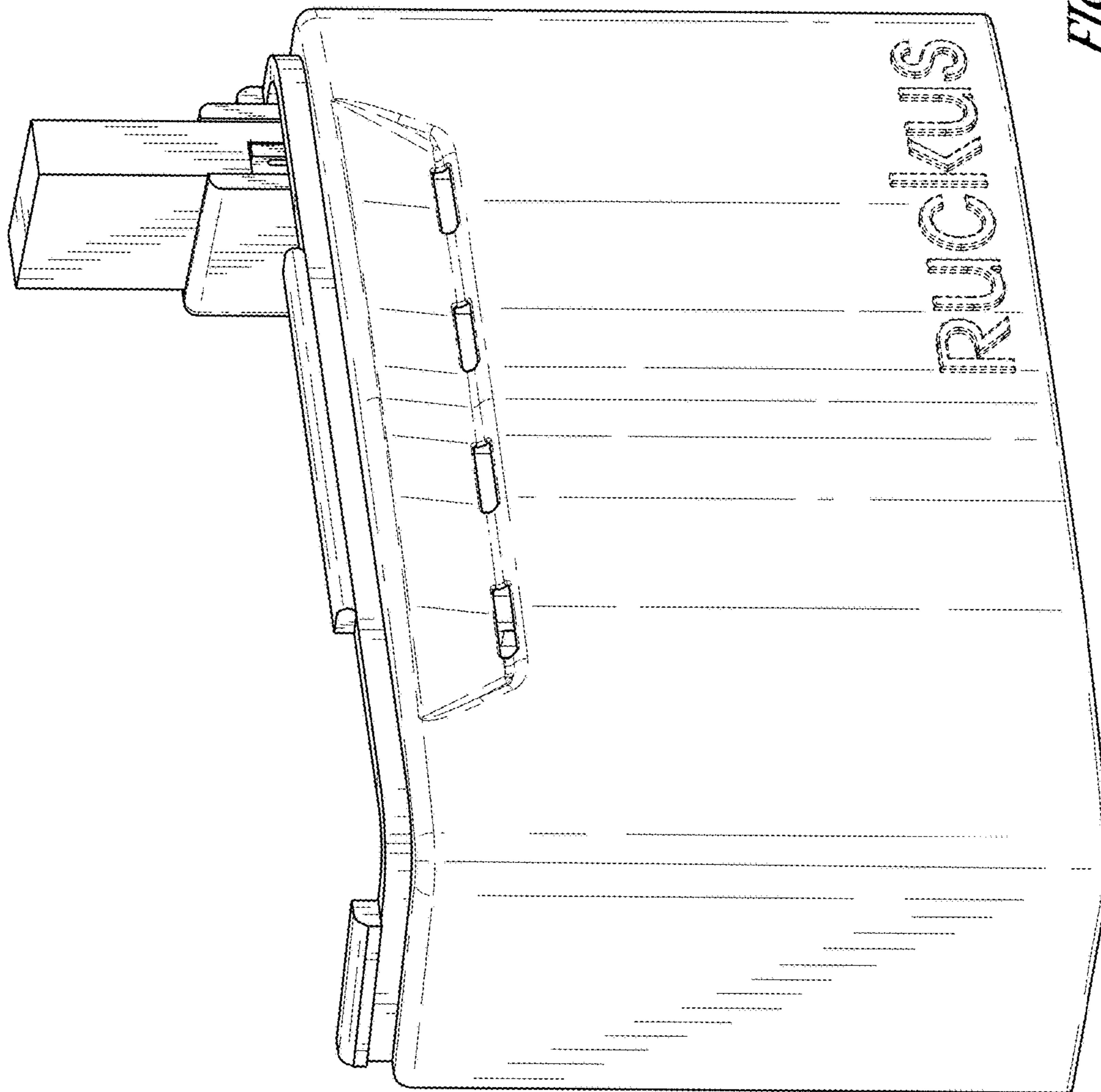


FIG. 9



*FIG. 10*

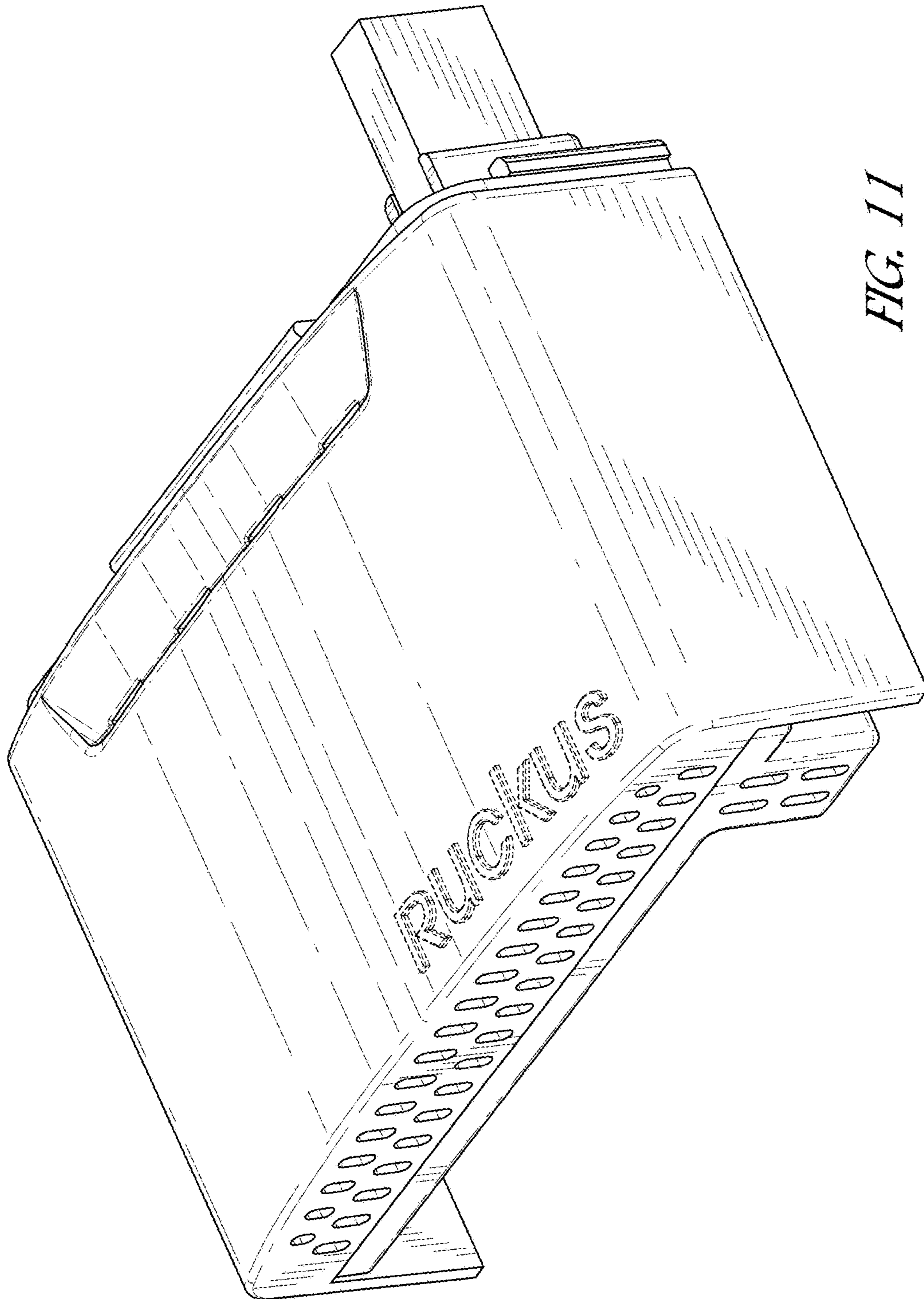


FIG. 11

