



US00D790547S

(12) **United States Design Patent**
Su et al.

(10) **Patent No.:** **US D790,547 S**
(45) **Date of Patent:** **** Jun. 27, 2017**

- (54) **RECEPTACLE CONNECTOR**
- (71) Applicant: **Cheng Uei Precision Industry Co., Ltd.**, New Taipei (TW)
- (72) Inventors: **Yu-Hung Su**, New Taipei (TW);
Chin-Chou Wang, New Taipei (TW)
- (73) Assignee: **CHENG UEI PRECISION INDUSTRY CO., LTD.**, New Taipei (TW)
- (**) Term: **15 Years**
- (21) Appl. No.: **29/542,643**
- (22) Filed: **Oct. 15, 2015**
- (51) **LOC (10) Cl.** **14-02**
- (52) **U.S. Cl.**
USPC **D14/433**
- (58) **Field of Classification Search**
USPC D14/433, 357, 240, 225, 480.6;
D13/133, 154, 147; 439/620.21, 607.38,
439/607.36, 607.01, 466, 188;
361/679.41; 710/74
CPC H01R 24/64; H01R 24/62; H01R 12/714;
H01R 13/506; H01R 13/6658
See application file for complete search history.

- (56) **References Cited**
U.S. PATENT DOCUMENTS
D506,200 S * 6/2005 Shih D14/433
D559,255 S * 1/2008 Nishio D14/433
7,581,980 B2 * 9/2009 Chiu H01R 13/502
439/466
D604,725 S * 11/2009 Chen D13/184
8,454,388 B2 * 6/2013 Song H01R 12/707
439/607.36

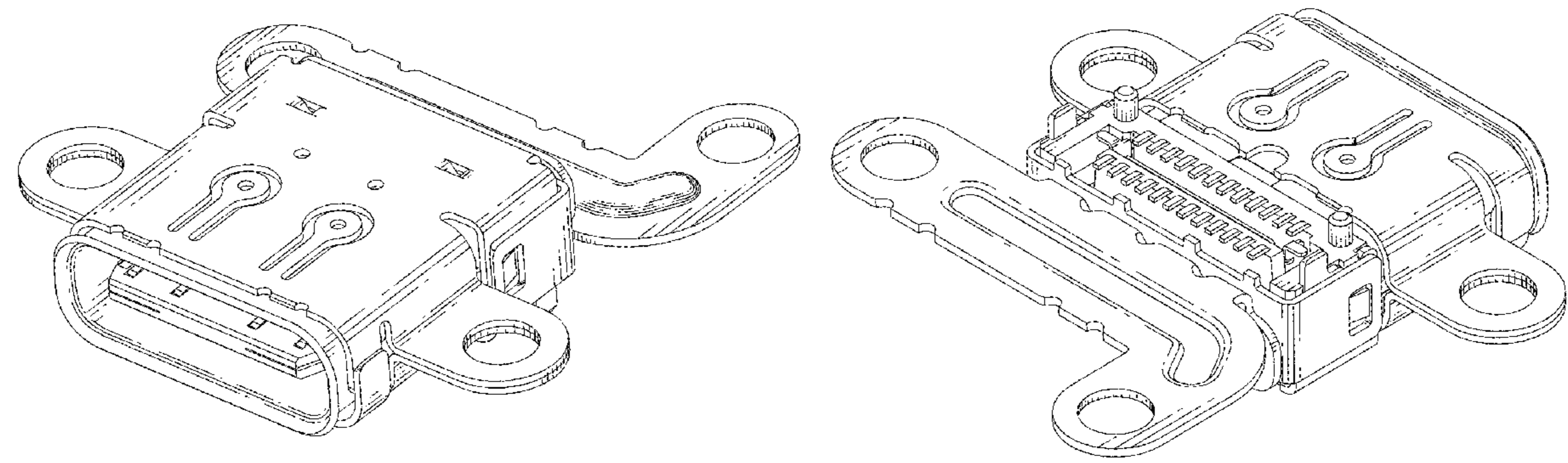
- 8,475,211 B2 * 7/2013 Wang H01R 12/724
439/607.38
- 8,485,849 B2 * 7/2013 Ahn H01R 12/707
439/607.01
- 8,517,748 B1 * 8/2013 Kelsch H01R 13/6397
200/51.09
- 8,764,484 B2 * 7/2014 Zhang H01R 13/03
439/607.36
- 8,867,202 B2 * 10/2014 Williams G06F 1/1632
361/679.41
- D732,536 S * 6/2015 Kang D14/433
- D781,294 S * 3/2017 Schwalbach D14/433

* cited by examiner
Primary Examiner — Austin Murphy
(74) *Attorney, Agent, or Firm* — Cheng-Ju Chiang

(57) **CLAIM**
The ornamental design for a receptacle connector, as shown and described.

DESCRIPTION
FIG. 1 is a perspective view of a receptacle connector showing our new design;
FIG. 2 is a front elevational view thereof;
FIG. 3 is a rear elevational view thereof;
FIG. 4 is a left side elevational view thereof;
FIG. 5 is a right side elevational view thereof;
FIG. 6 is a top plan view thereof;
FIG. 7 is a bottom plan view thereof;
FIG. 8 is another perspective view of the receptacle connector showing our new design; and,
FIG. 9 is a third perspective view of the receptacle connector showing our new design.
The broken line portion of the figure drawings is included to show unclaimed subject matter only and forms no part of the claimed design.

1 Claim, 9 Drawing Sheets



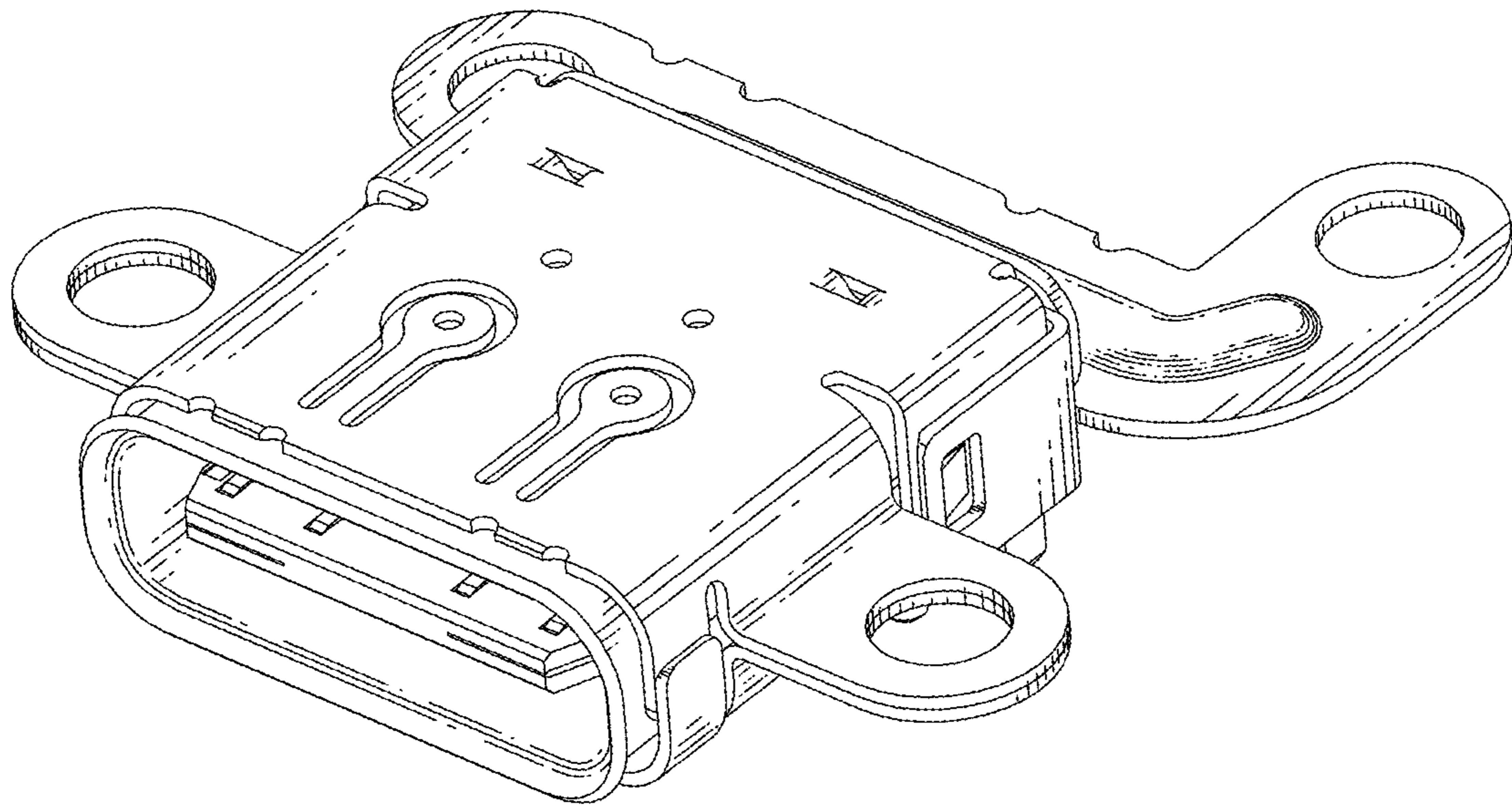


FIG. 1

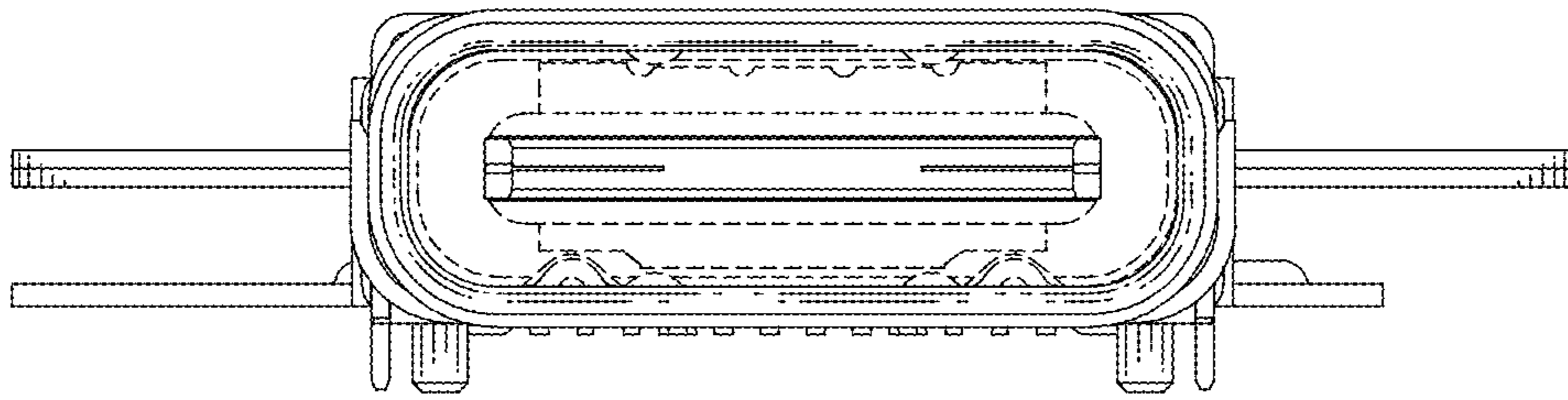


FIG. 2

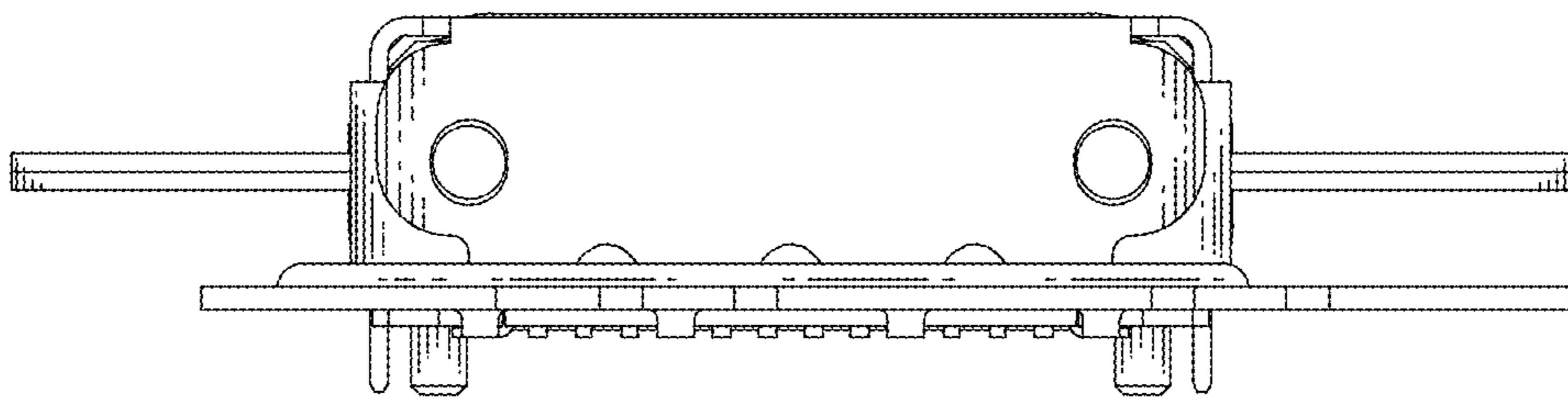


FIG. 3

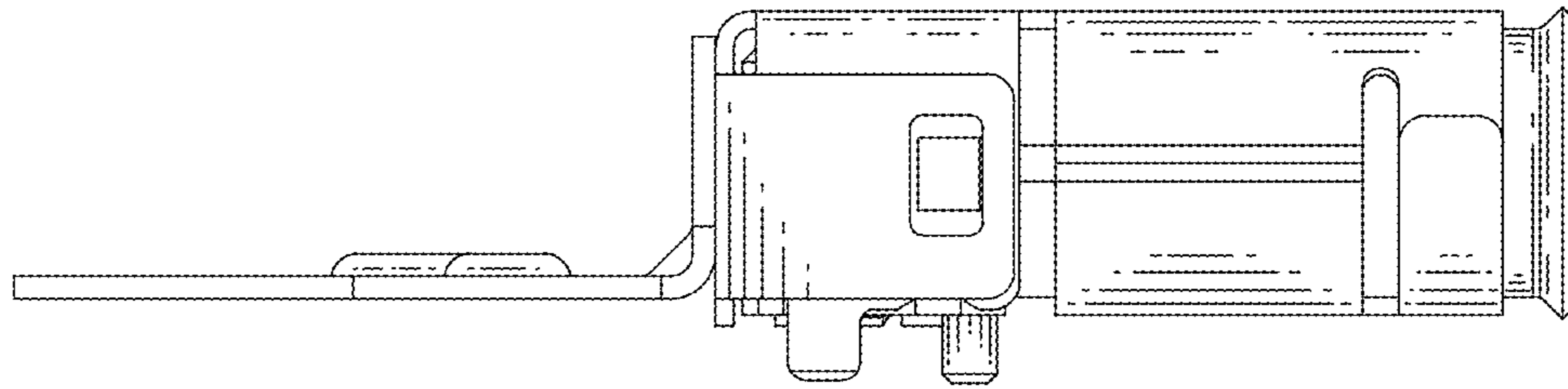


FIG. 4

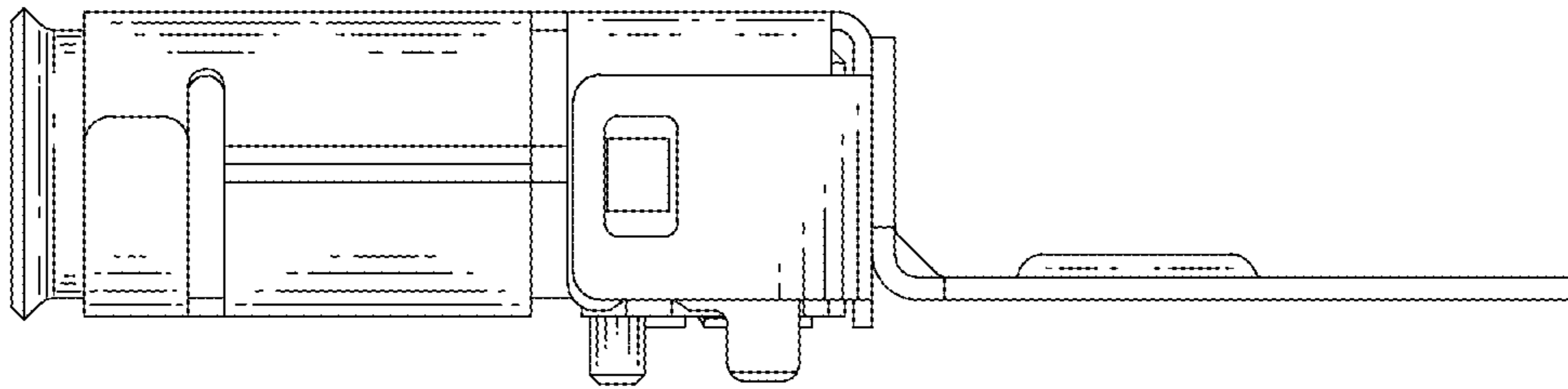


FIG. 5

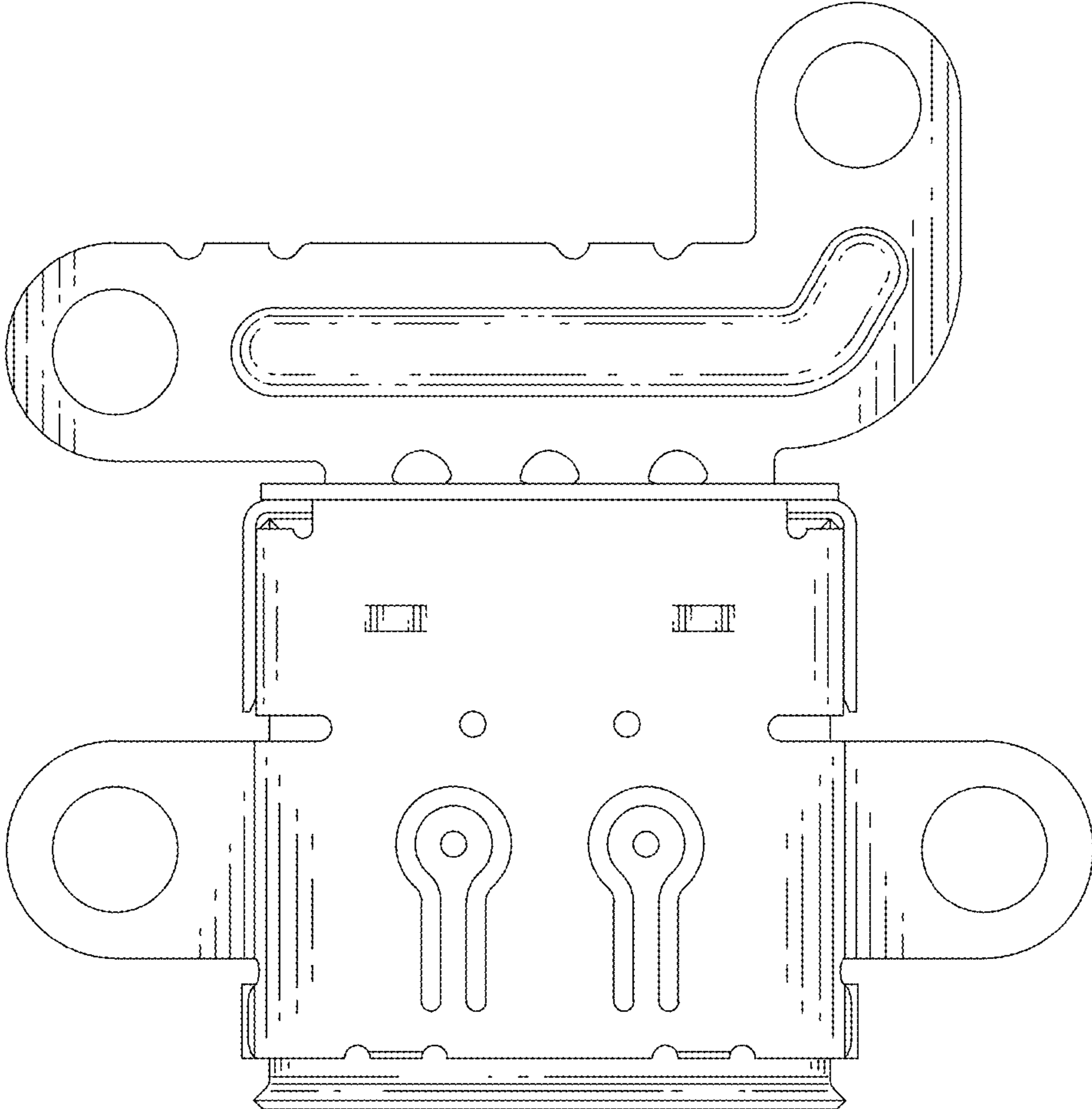


FIG. 6

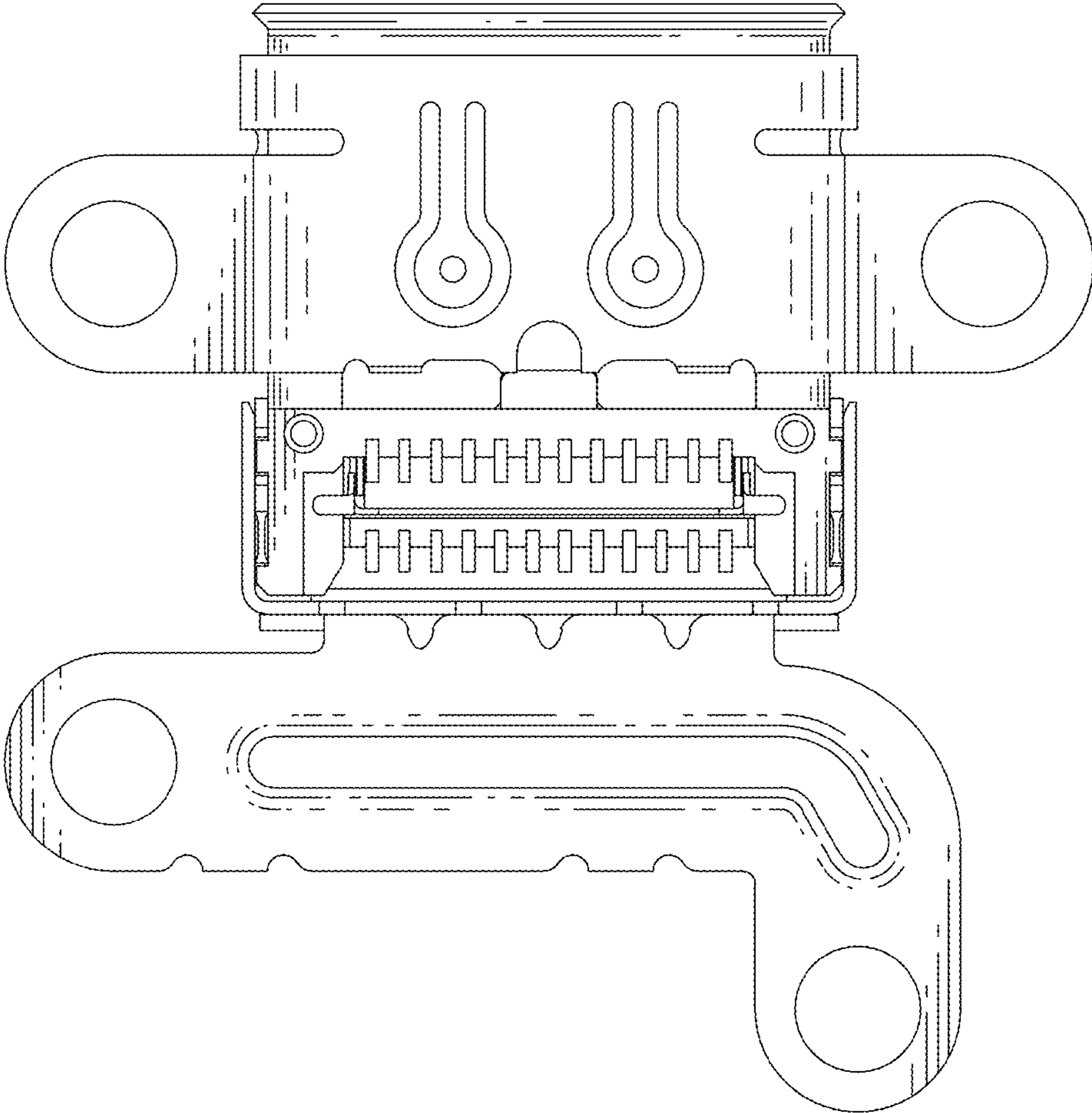


FIG. 7

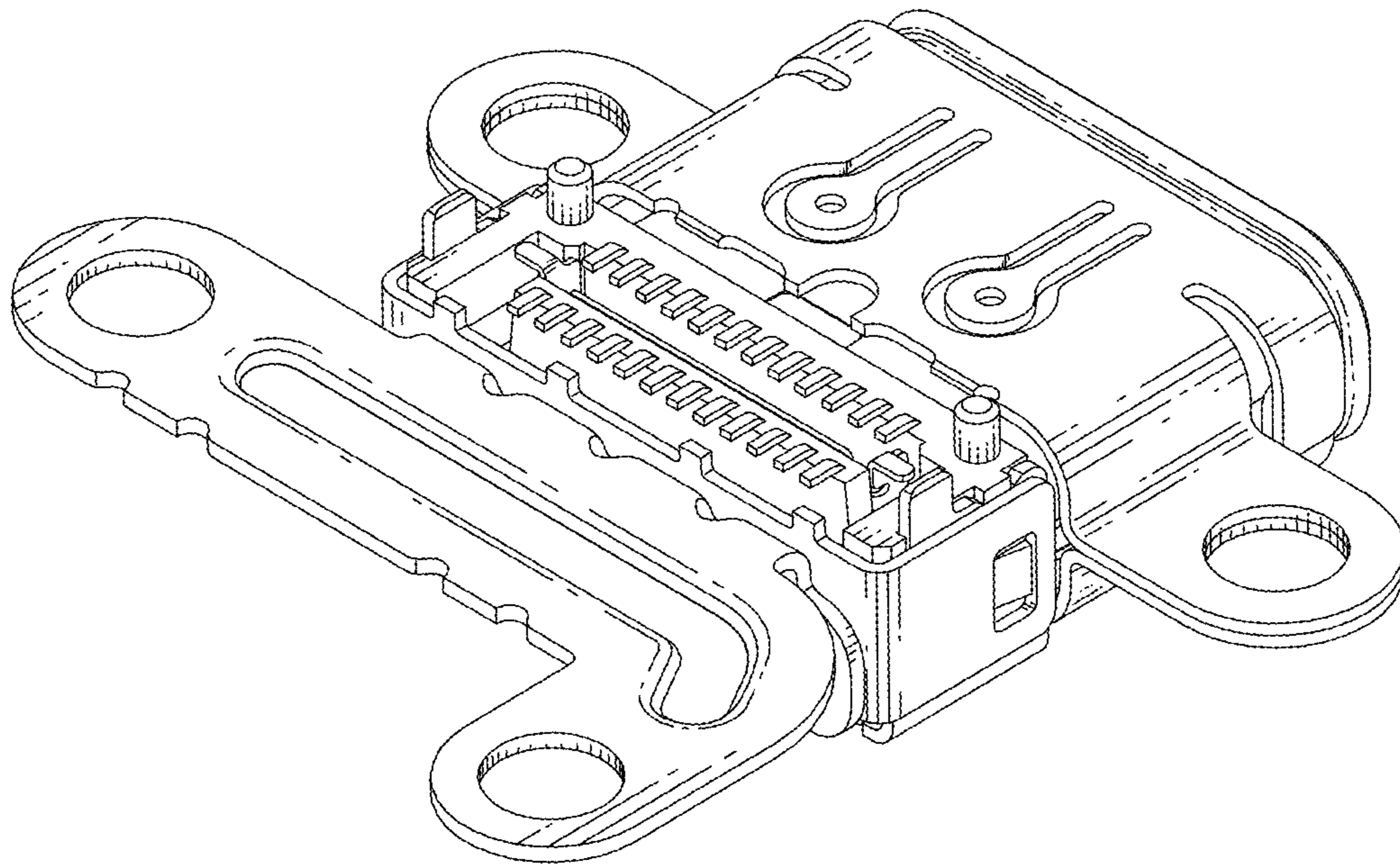


FIG. 8

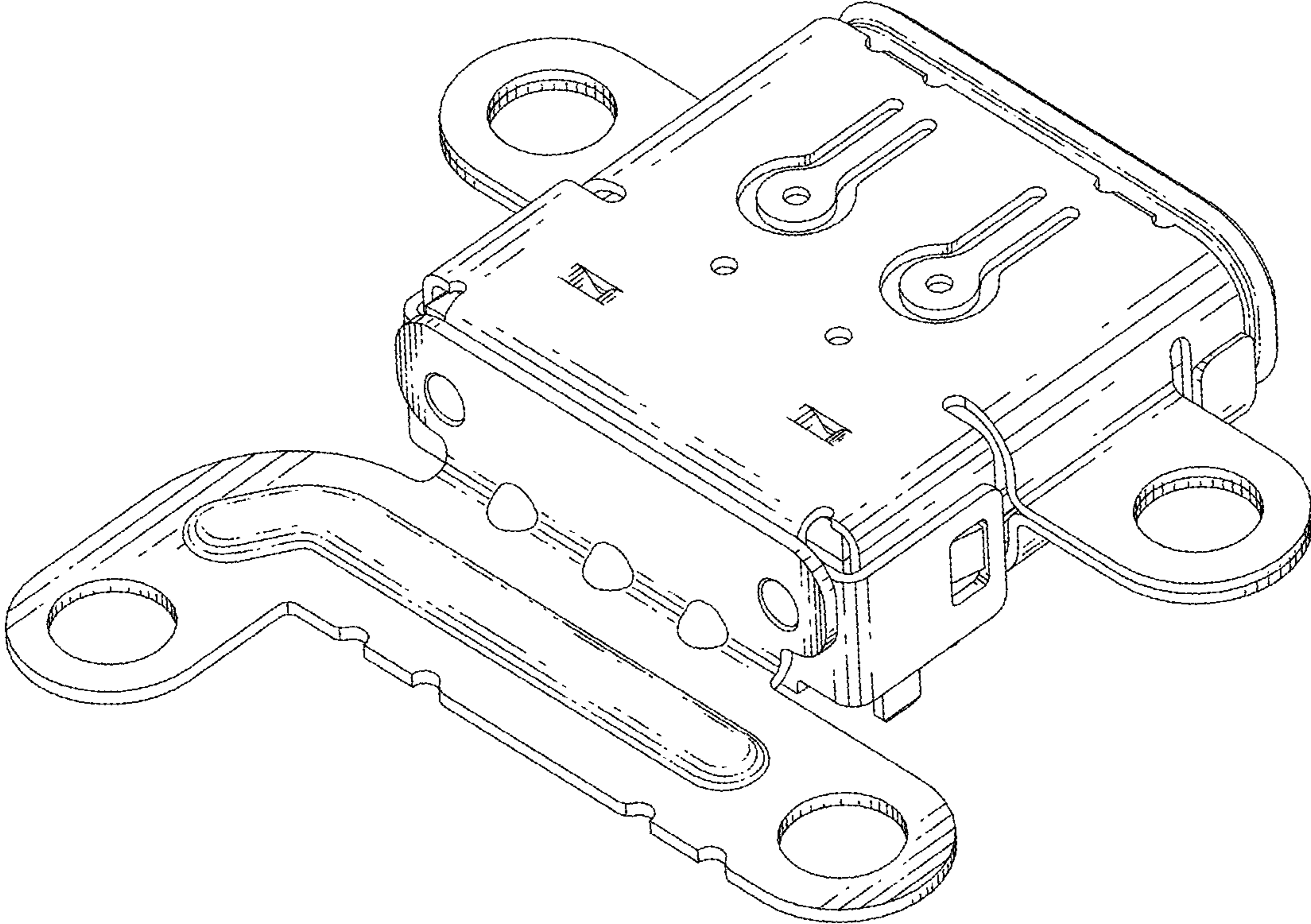


FIG. 9