



US00D790546S

(12) **United States Design Patent**
Zhou et al.

(10) **Patent No.:** **US D790,546 S**
(45) **Date of Patent:** **** Jun. 27, 2017**

(54) **INDICIA READING DEVICE**

(71) Applicant: **Hand Held Products, Inc.**, Fort Mill, SC (US)

(72) Inventors: **Peng Zhou**, Suzhou (CN); **Mark Lee Oberpriller**, Atlanta, GA (US); **Timothy R. Fitch**, Syracuse, NY (US)

(73) Assignee: **Hand Held Products, Inc.**, Fort Mill, SC (US)

(**) Term: **15 Years**

(21) Appl. No.: **29/529,441**

(22) Filed: **Jun. 8, 2015**

(30) **Foreign Application Priority Data**

Dec. 15, 2014 (CN) 2014 3 0526898

(51) **LOC (10) Cl.** **14-02**

(52) **U.S. Cl.**
USPC **D14/426**

(58) **Field of Classification Search**
USPC D14/420, 426-430, 453, 346, 341, 347, D14/412, 138; D13/107, 184; 358/473;
(Continued)

(56) **References Cited**

U.S. PATENT DOCUMENTS

D293,795 S * 1/1988 Yamamoto D14/428
D342,256 S * 12/1993 Payne D14/218
(Continued)

FOREIGN PATENT DOCUMENTS

EM 02713248-001 6/2015

OTHER PUBLICATIONS

Notice to Grant, Related Chinese Design Application No. 201430526898.7, Dated Sep. 9, 2015. 5 pages, English translation provided.

(Continued)

Primary Examiner — Susan Moon Lee
(74) *Attorney, Agent, or Firm* — Additon, Higgins & Pendleton, P.A.

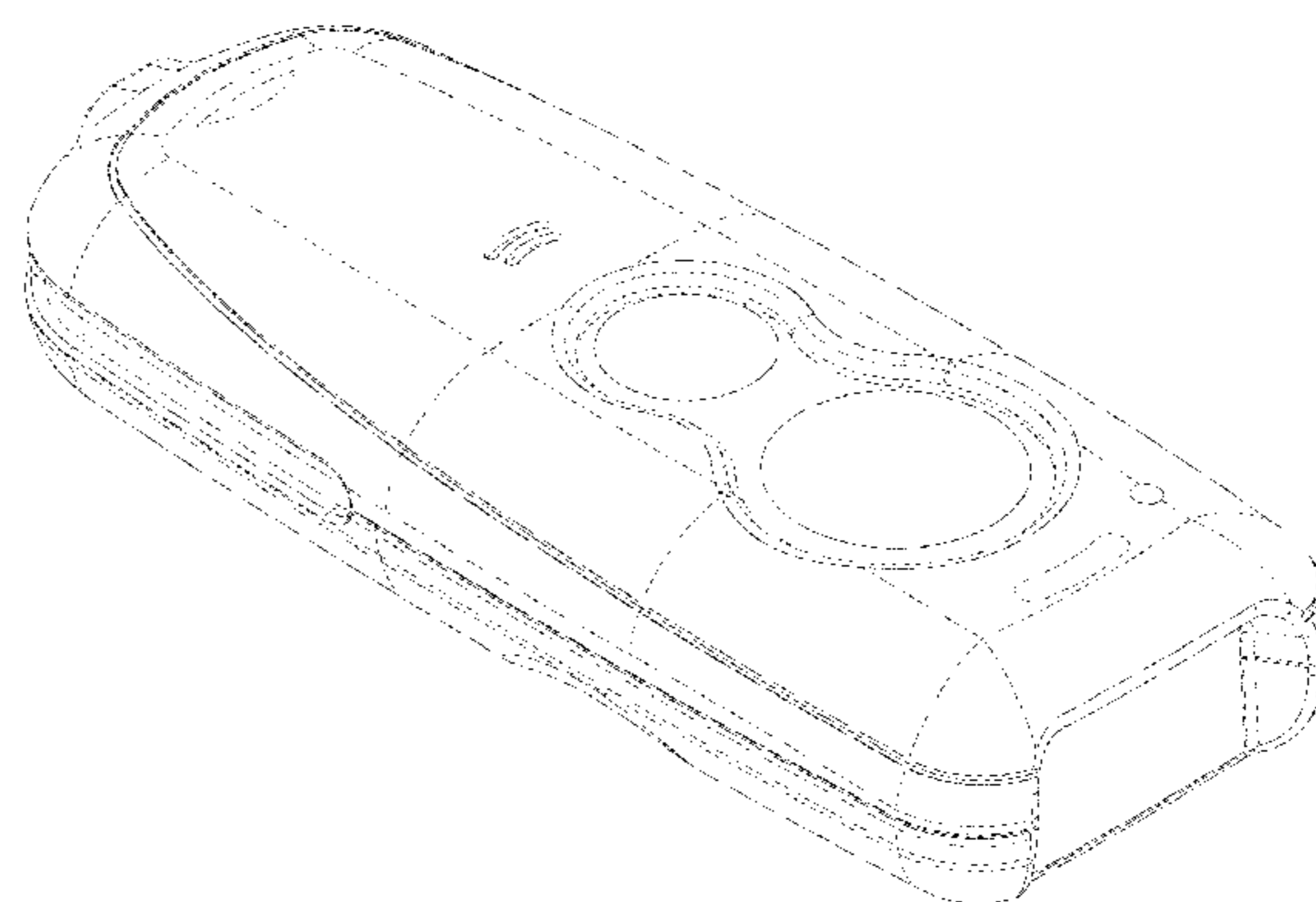
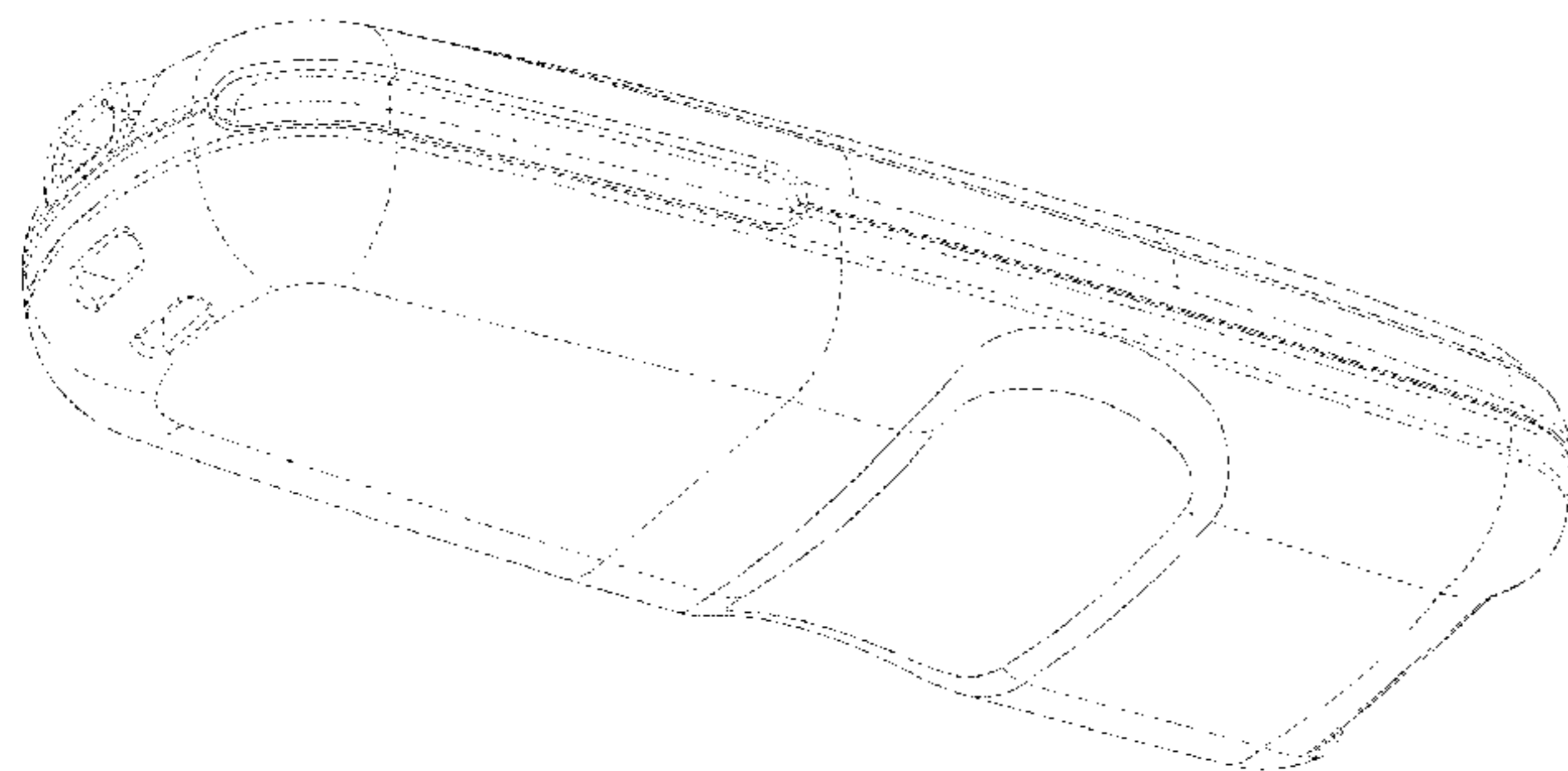
(57) **CLAIM**

The ornamental design for an indicia reading device, as shown and described.

DESCRIPTION

FIG. 1 is a perspective view of an embodiment of the indicia reading device;
FIG. 2 is a front elevation view of the embodiment of the indicia reading device;
FIG. 3 is a rear elevation view of the embodiment of the indicia reading device;
FIG. 4 is a left side elevation view of the embodiment of the indicia reading device;
FIG. 5 is a right side elevation view of the embodiment of the indicia reading device;
FIG. 6 is a top plan view of the embodiment of the indicia reading device;
FIG. 7 is a bottom plan view of the embodiment of the indicia reading device;
FIG. 8 is another perspective view of the embodiment of the indicia reading device;
FIG. 9 is yet another perspective view of the embodiment of the indicia reading device;
FIG. 10 is yet another perspective view of the embodiment of the indicia reading device; and,
FIG. 11 is yet another perspective view of the embodiment of the indicia reading device.
Any broken lines shown in the drawings of the indicia reading device are for illustrative purposes only and form no part of the claimed design.

1 Claim, 11 Drawing Sheets



(58) **Field of Classification Search**

USPC 235/462.43, 462.45, 462.47, 462.48,
 235/462.44, 462.46, 487, 472.01, 472.02,
 235/145 A, 145 R; D10/78, 57, 2, 46, 52,
 D10/53, 81; 324/426; D3/273; 710/73;
 D18/7; 361/679, 728, 679.56; 382/313,
 382/321; 455/575.1, 561, 572, 41.2;
 345/156, 168, 169, 172, 173, 87; 705/17,
 705/18, 22-25; D16/206, 218, 202, 219,
 D16/208, 209; 356/328; 396/419, 423,
 396/424; 374/130, 100, 121, 102, 141,
 374/124, 170, 104, 103; 702/130, 135;
 348/164, 165, 149, 333.01, 333.11,
 348/E5.043, E5.047, E5.09, 33, 82,
 348/E5.028, 347, 373, 374, 375;
 250/330, 351, 353, 332, 334, 358.1,
 250/316.1, 338.1; 600/549, 474, 413,
 600/473, 200, 184
 CPC G06F 1/626; G06F 1/1626; G06F 1/1656;
 G06F 1/1632; G06F 1/1684; G06F
 1/1635; G06F 8/63; G06F 17/30091;
 G06F 9/4401; G06K 7/10881; G06K
 7/1098; G06K 7/10722; G06K 7/1404;
 G06K 7/0004; G06K 7/10633; G06K
 7/10851; G06K 7/1091; G06K 7/1092;
 G06K 7/1093; G06K 7/10; G06K 7/109;
 G06K 7/1417; G06K 9/228; G06K
 17/0022; G06K 17/00; G06K 2207/1011;
 G06K 2207/1013; G06K 2207/1016;
 G06K 2207/1018; G06K 2017/0051;
 G06K 2017/0067; G06K 2007/10524;
 G07G 1/0081; G07G 1/009; G06Q 20/20;
 G06Q 20/201; G06Q 20/202; G06Q
 20/203; G06Q 20/30; G06Q 20/32; G06Q
 20/322; G06Q 20/4014; G06Q 10/087;
 H04N 1/00127; H04N 1/00135; H04N
 1/00326; H04N 1/00334; H04N 1/00307;
 H04N 1/107; H04N 2201/0084; H04N
 2101/00; H04N 5/332; H04N 5/33; H04N
 5/2251; H04N 5/2258; H04N 5/2256;
 H04N 5/23293; H04N 5/23203; H04N
 5/2254; H04N 5/2252; H04N 5/2253;
 H04N 5/23229; H04N 5/3651; H04M
 1/0249; H04M 1/0262; H04M 1/0266;
 H04M 1/18; H04M 1/23; H04M 1/236;
 H04B 1/3827; H04B 1/3833; H04B
 1/3877; H04B 1/3883; H04B 1/3888;
 H04B 2001/3894; H01M 2/1066; G01J
 5/025; G01J 5/0265; G01J 5/026; G01J
 5/027; G01J 5/02; G01J 5/06; G01J 5/08;
 G01J 5/04; G01J 5/12; G01J 5/00; G01J
 5/18; G01J 5/0834; G01J 5/522; G01J
 5/0806; G01J 5/028; G01J 2005/0077;
 G01J 2005/0081; G02B 7/08; G02B 7/04;
 G01K 1/02; G01K 3/04; G03B 17/18;
 G03B 3/02; G03B 3/04; G03B 3/10

See application file for complete search history.

(56) **References Cited**

U.S. PATENT DOCUMENTS

D343,829 S * 2/1994 Okuda D14/426
 D362,004 S * 9/1995 Nakano D14/149
 5,463,688 A * 10/1995 Wijas B60R 11/0241
 379/426

5,668,574 A * 9/1997 Jarlance-Huang .. G06F 3/03549
 345/158
 D399,848 S * 10/1998 Hebblewhite D14/253
 D404,397 S * 1/1999 Lucaci D14/253
 5,874,723 A * 2/1999 Hasegawa G06K 7/0008
 235/439
 D428,387 S * 7/2000 Malloy D13/107
 D439,898 S * 4/2001 Ober D14/347
 D445,786 S * 7/2001 Skelton D14/341
 D466,511 S * 12/2002 Croley D14/434
 D467,918 S * 12/2002 Fitch D14/347
 6,543,695 B1 * 4/2003 Hamilton G06F 1/1616
 235/462.43
 D474,414 S * 5/2003 Ikeda D10/78
 D476,330 S * 6/2003 Ahearn D14/347
 D492,681 S * 7/2004 Ahearn D14/347
 D493,801 S * 8/2004 Byun D14/434
 D494,584 S * 8/2004 Schlieffers D14/346
 D505,422 S * 5/2005 Kakizaki D14/347
 D505,423 S * 5/2005 Ahearn D14/347
 6,894,508 B2 * 5/2005 Sanoner G01V 3/088
 324/326
 6,988,664 B1 * 1/2006 Lee G06K 7/10881
 235/462.45
 D517,086 S * 3/2006 Siebel D14/453
 7,040,540 B2 * 5/2006 Knowles G02B 26/106
 235/462.14
 D538,290 S * 3/2007 Johnson D14/453
 7,292,267 B2 * 11/2007 Prentice H04N 9/045
 348/207.1
 D560,129 S * 1/2008 Rich D10/78
 D563,249 S * 3/2008 Chen D10/78
 D565,577 S * 4/2008 Hanks D14/426
 D566,712 S * 4/2008 Ah D14/426
 D571,241 S * 6/2008 Andreasen D10/78
 D574,834 S * 8/2008 Chen D14/432
 D585,314 S * 1/2009 Schvetz D10/78
 D586,677 S * 2/2009 Nothacker D10/78
 7,603,293 B2 * 10/2009 Chenn G06Q 30/06
 701/29.1
 7,633,282 B2 * 12/2009 Radle G01R 31/045
 324/508
 D610,586 S * 2/2010 Chen D14/426
 D612,853 S * 3/2010 Waterman D14/427
 D624,446 S * 9/2010 Chen D10/78
 D624,838 S * 10/2010 Chen D10/78
 D625,634 S * 10/2010 Chen D10/78
 7,837,112 B2 * 11/2010 An G06K 7/10891
 235/462.01
 D629,003 S * 12/2010 Alegiani D14/453
 D683,248 S * 5/2013 Marzynski D10/78
 D692,431 S * 10/2013 Arceta D14/427
 D701,781 S * 4/2014 Chen D10/78
 D716,818 S * 11/2014 Alegiani D14/453
 D725,098 S * 3/2015 Neumann D10/78
 D756,817 S * 5/2016 Fries D10/78
 9,367,723 B1 * 6/2016 Drzymala G06K 7/10881
 9,386,944 B2 * 7/2016 Freeman A61B 5/1411
 2001/0000907 A1 * 5/2001 Knowles G02B 26/106
 235/462.22
 2003/0125851 A1 * 7/2003 Andreasen G07C 5/006
 701/29.6
 2004/0149829 A1 * 8/2004 Boucher A47F 9/046
 235/462.43
 2005/0194446 A1 * 9/2005 Wiklof G06K 7/0004
 235/462.46
 2005/0274810 A1 * 12/2005 Schmidt B82Y 15/00
 235/462.43
 2006/0192015 A1 * 8/2006 DiGiovanna G01R 31/043
 235/472.02
 2007/0210785 A1 * 9/2007 Sanoner G01V 3/088
 324/67
 2009/0276115 A1 * 11/2009 Chen G07C 5/008
 701/29.6
 2016/0094070 A1 * 3/2016 Mazzone H02J 7/0044
 320/115

(56)

References Cited

U.S. PATENT DOCUMENTS

OTHER PUBLICATIONS

Notice of Application Acceptance for related EM Design Application No. 002713248-0001, Office for Harmonization in the Internal Market, Dated Jun. 19, 2015, 6 pages.

* cited by examiner

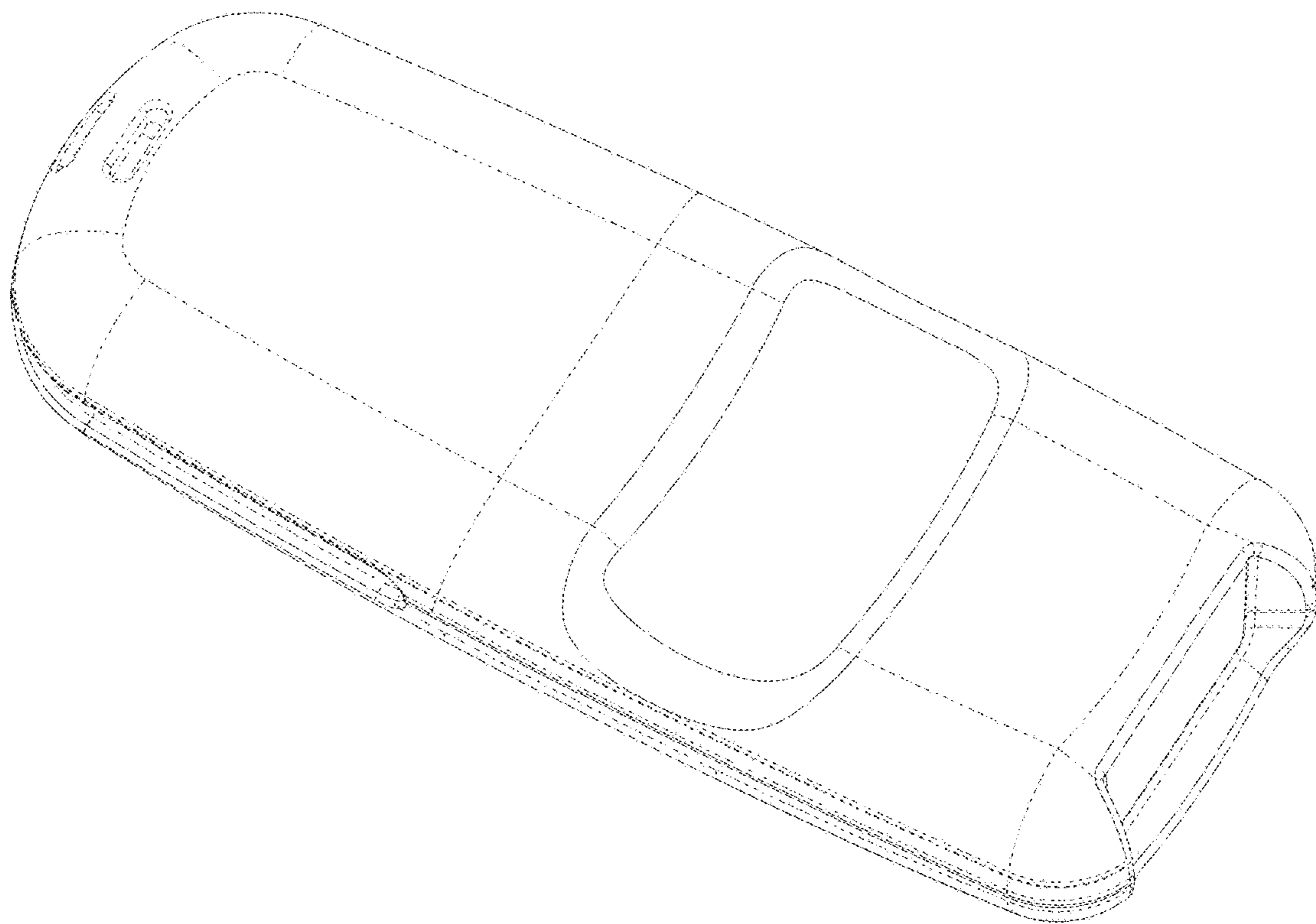


FIG. 1

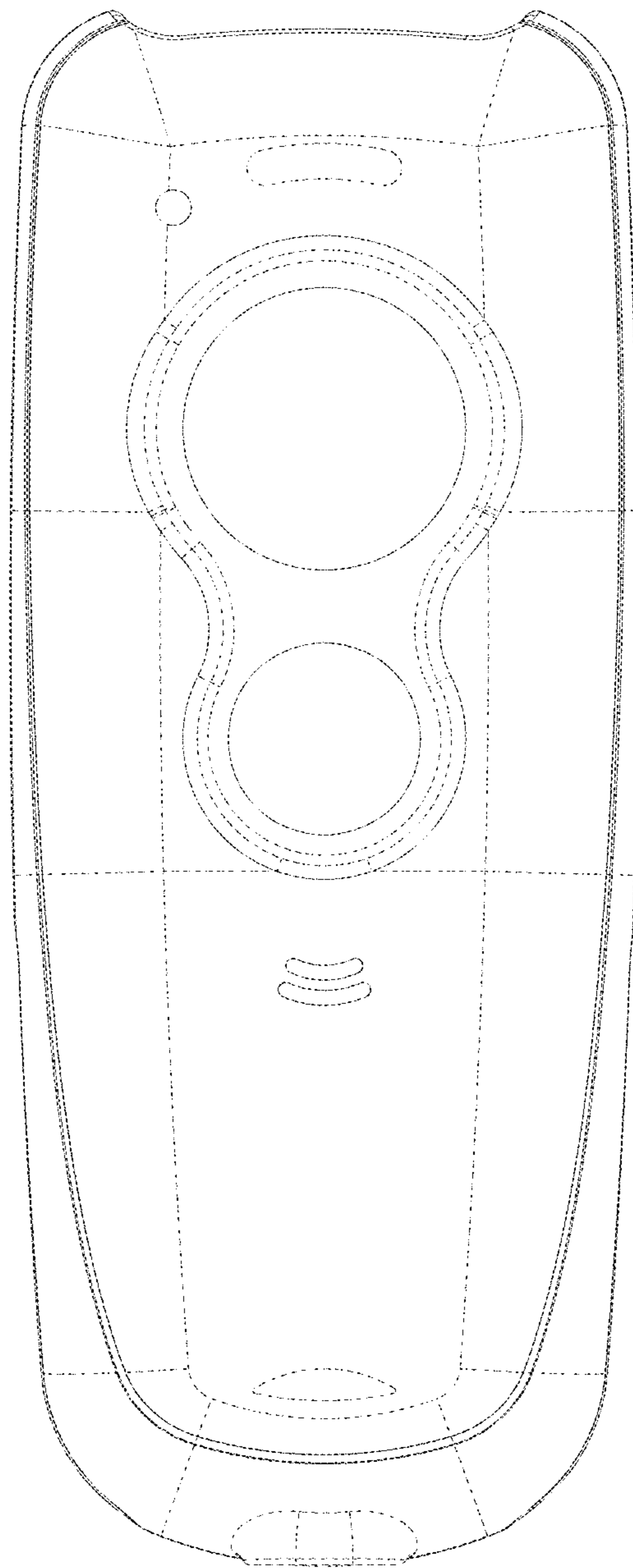


FIG. 2

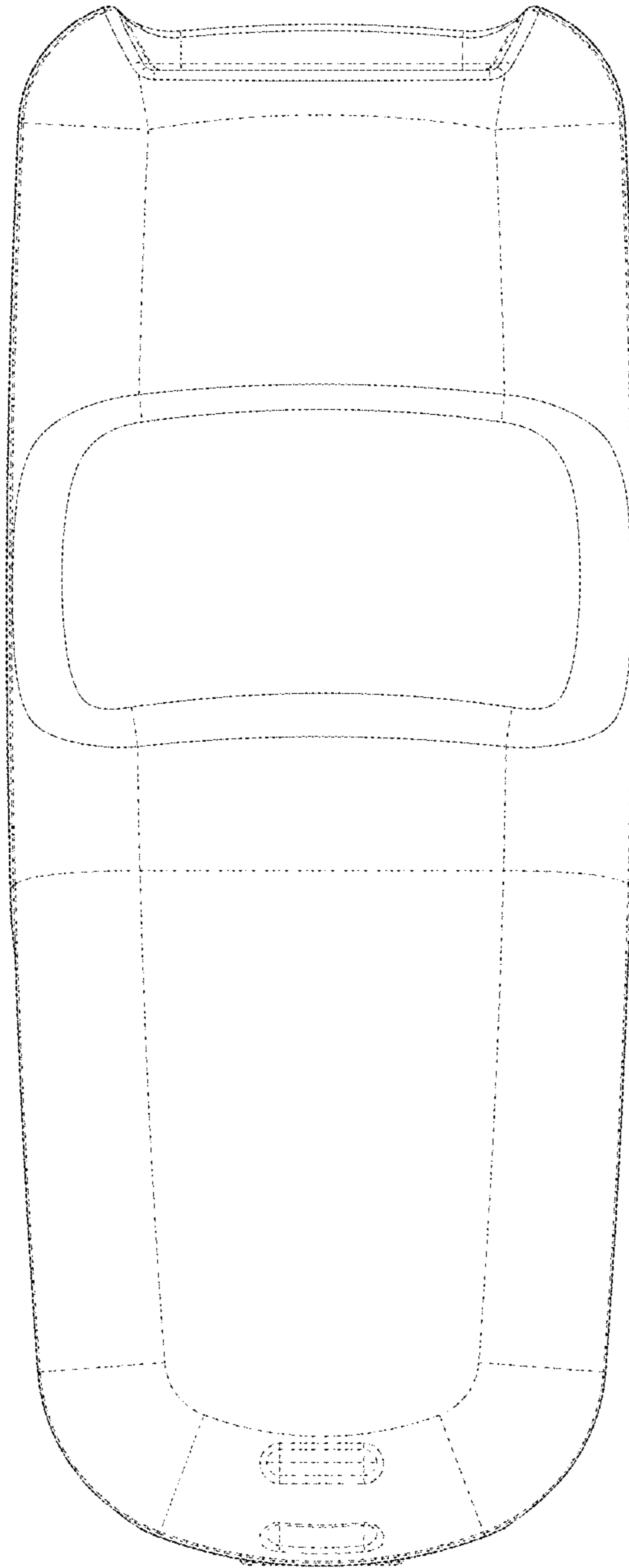


FIG. 3

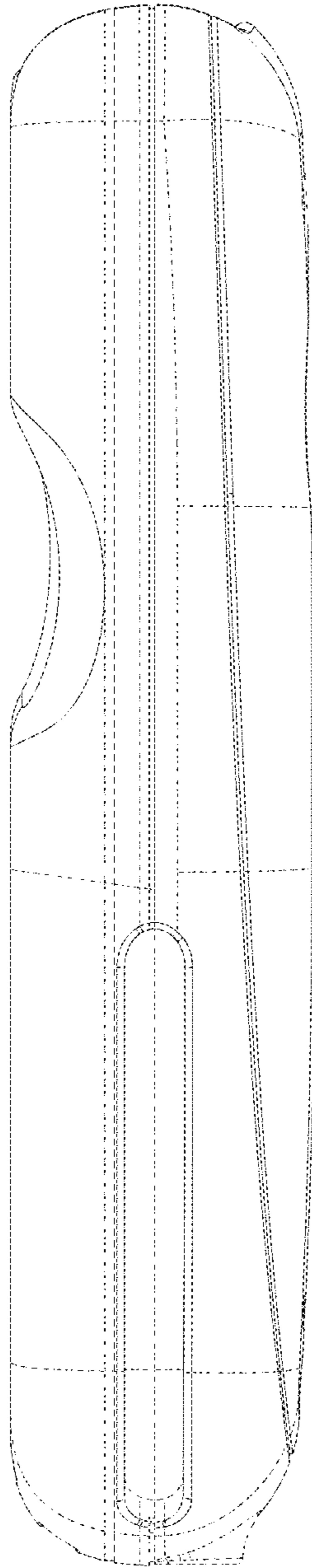


FIG. 4

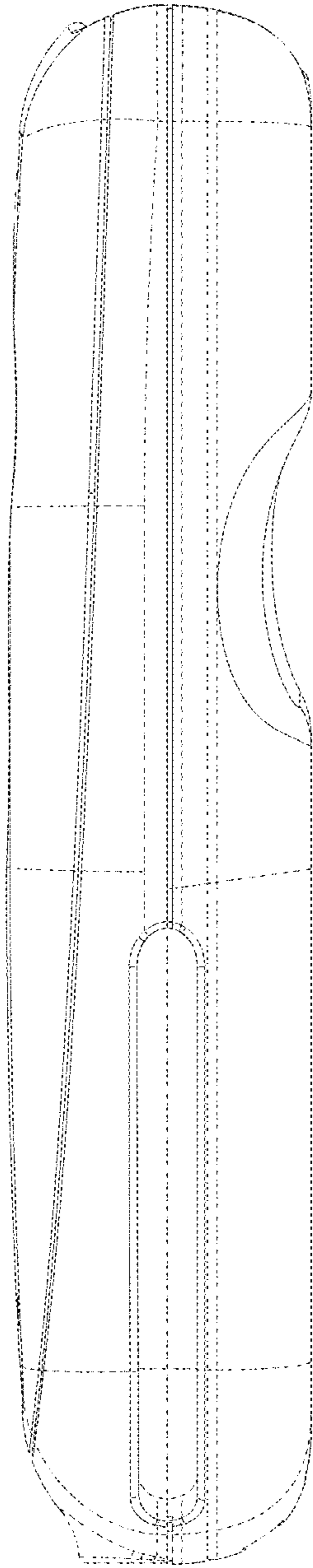


FIG. 5

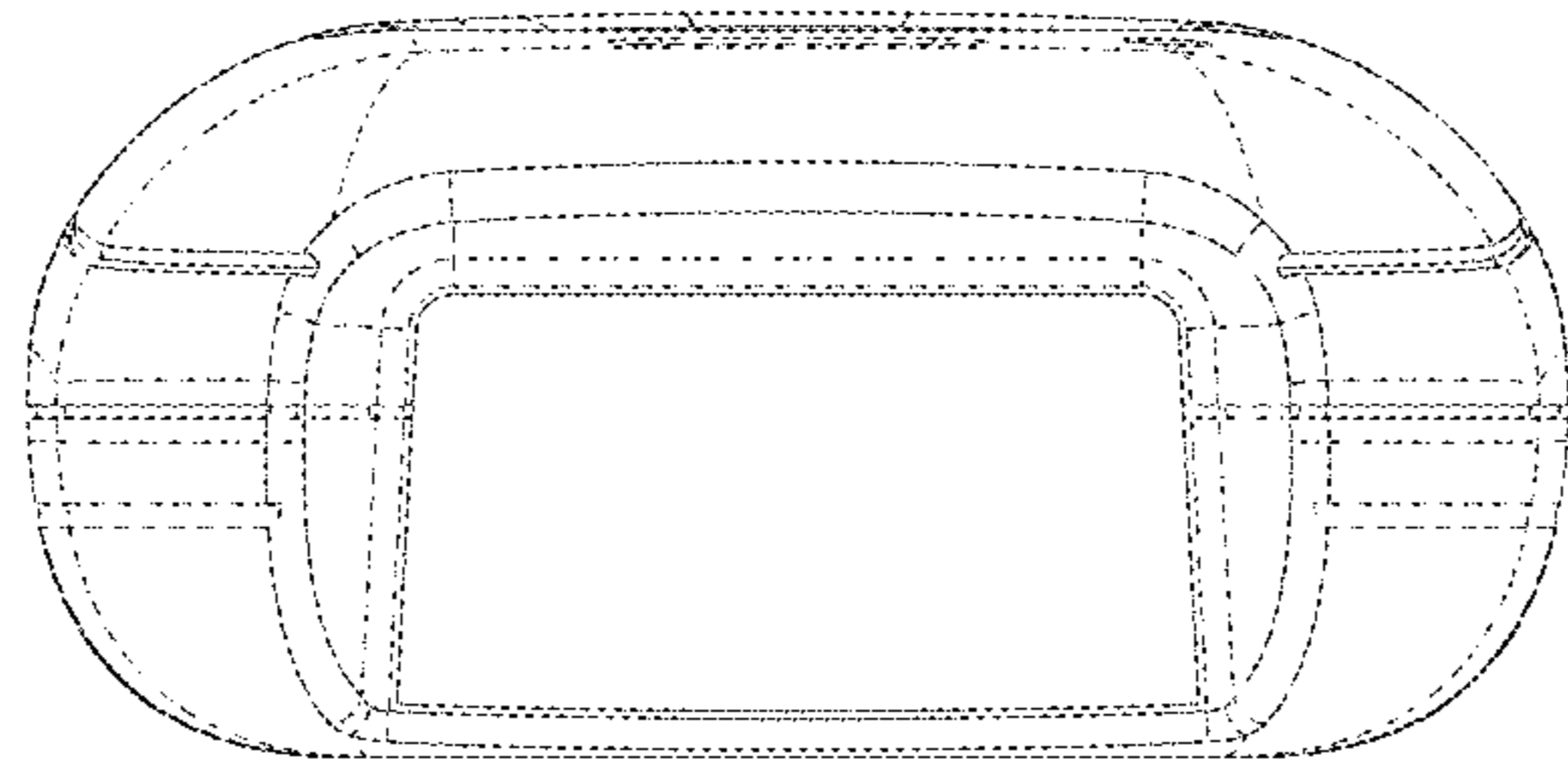


FIG. 6

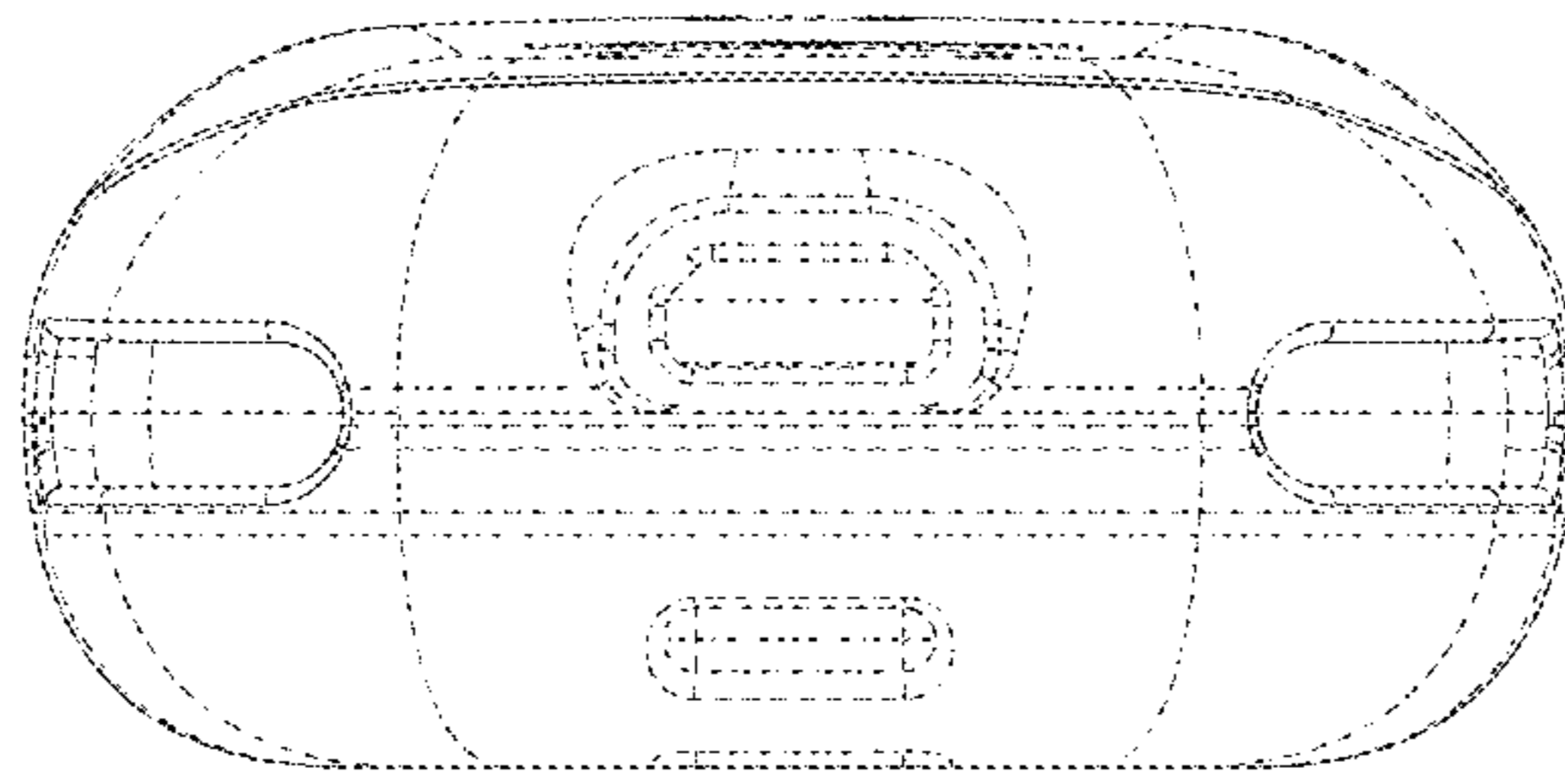


FIG. 7

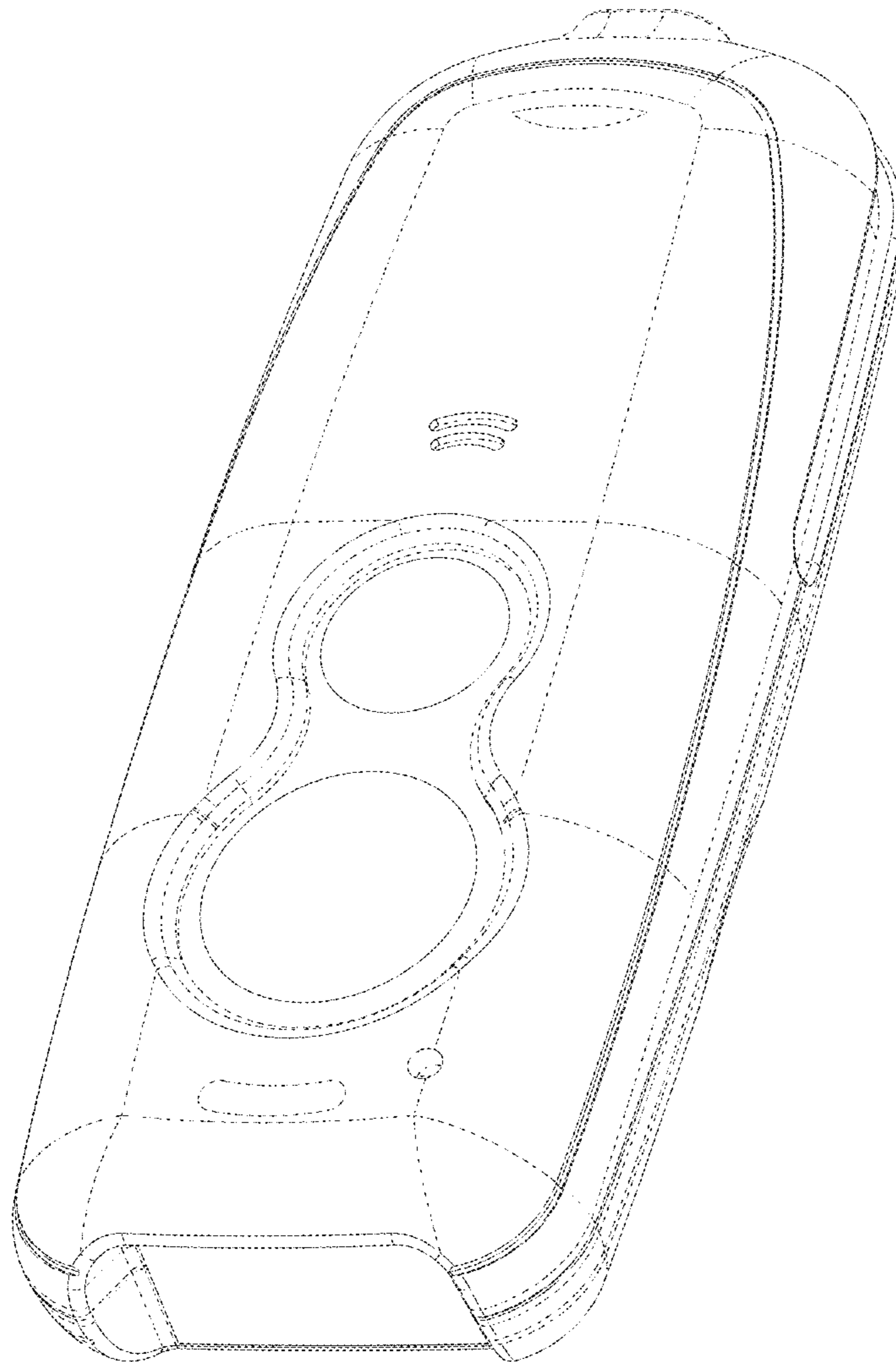


FIG. 8

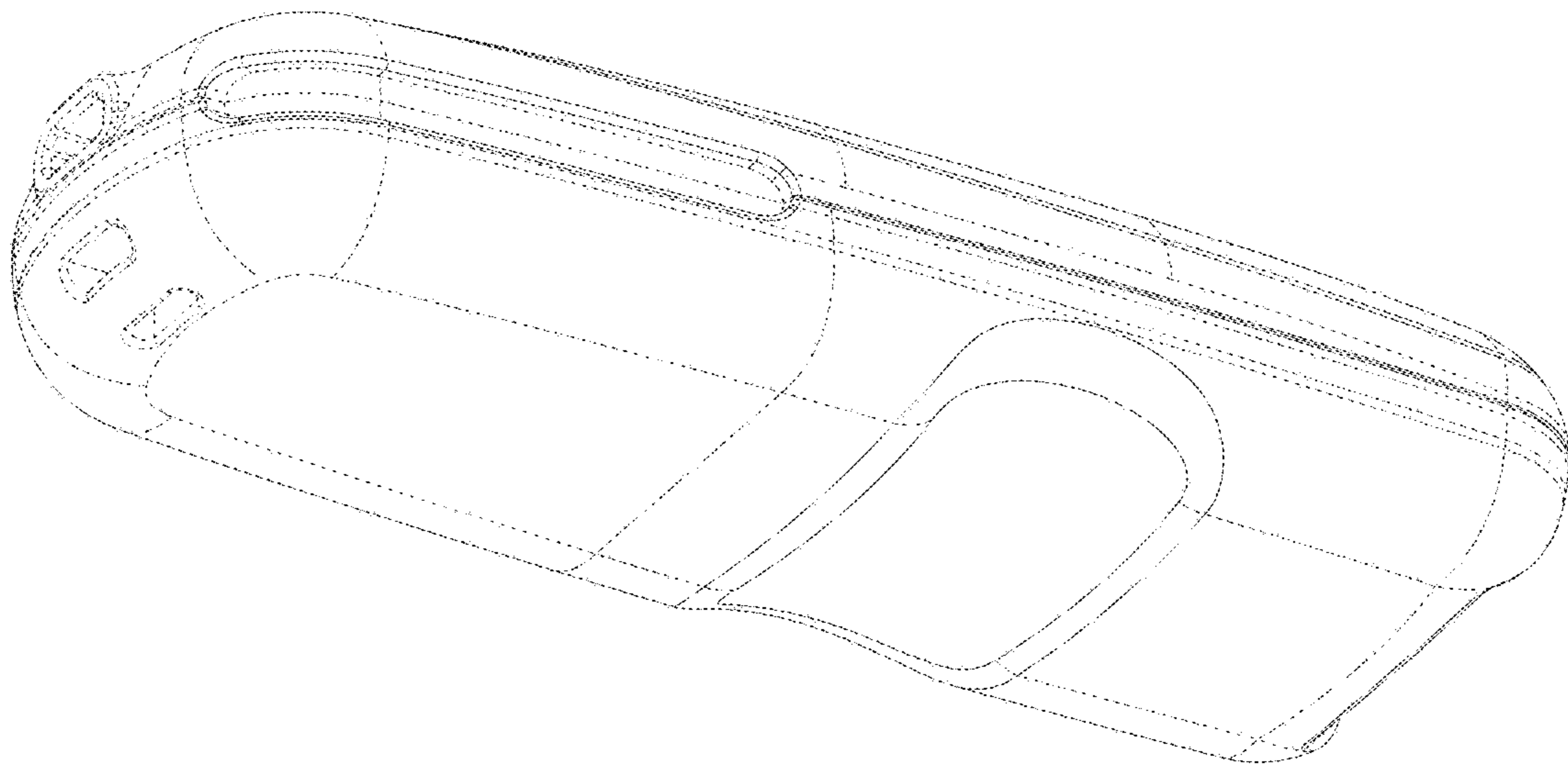


FIG. 9

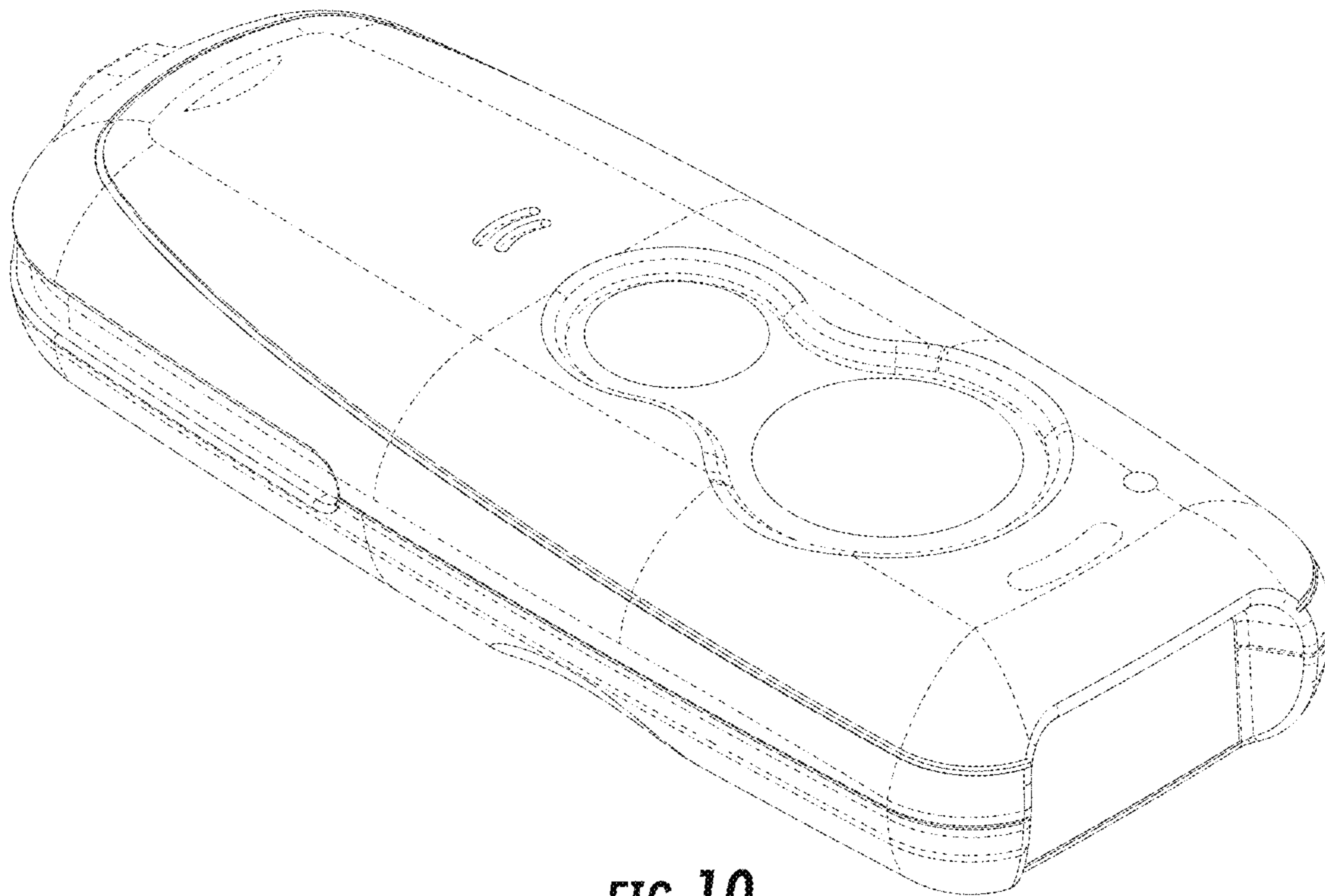


FIG. 10

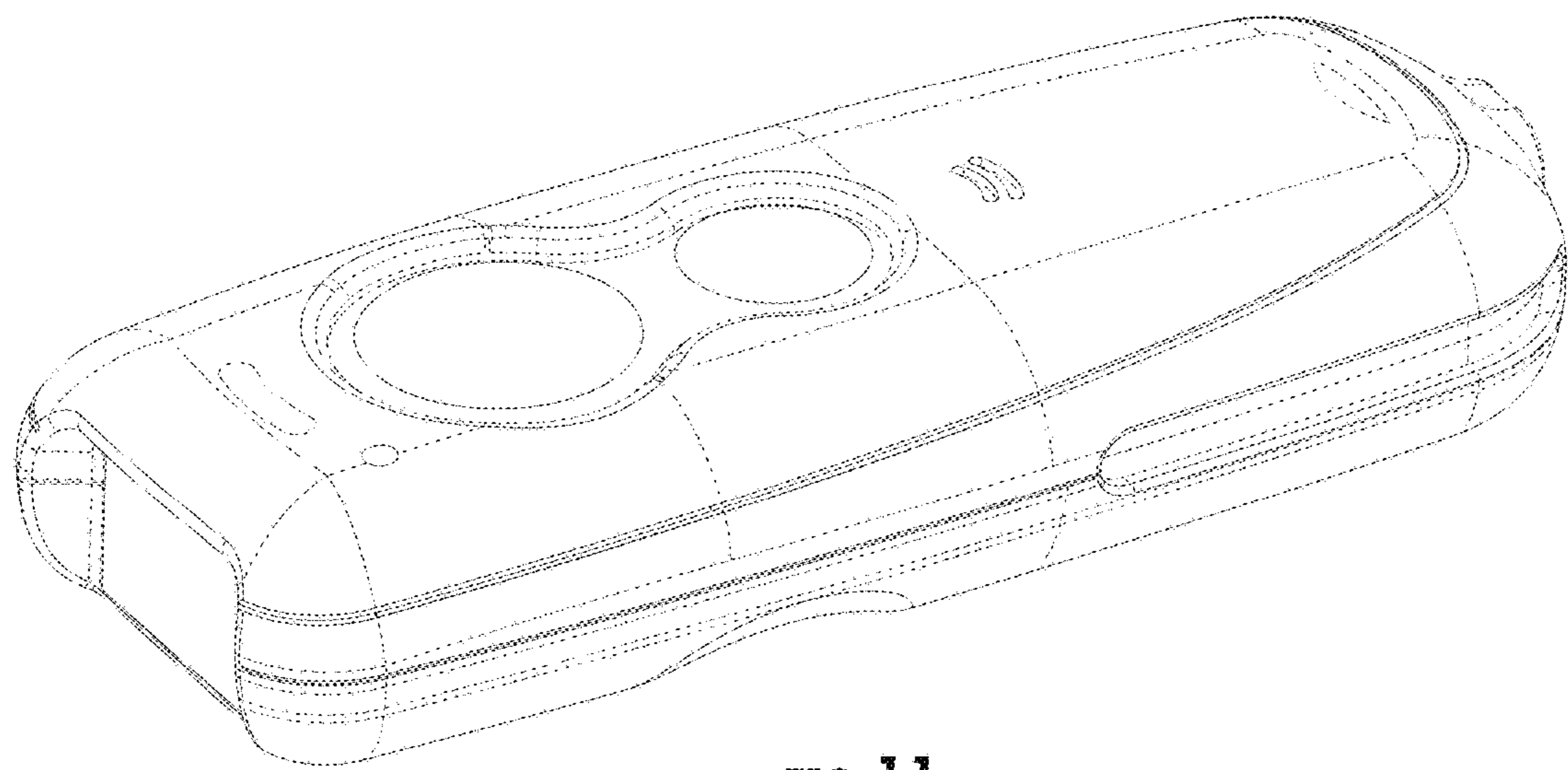


FIG. 11