



US00D790544S

(12) **United States Design Patent**
Chen et al.

(10) **Patent No.:** **US D790,544 S**
(45) **Date of Patent:** **** Jun. 27, 2017**

- (54) **KEYBOARD**
- (71) Applicant: **Microsoft Corporation**, Redmond, WA (US)
- (72) Inventors: **Vicky Chen**, Da Lian (CN); **Jiun Yang**, Hong Kong (HK); **Michael Zheng**, Shenzhen (CN)
- (73) Assignee: **Microsoft Corporation**, Redmond, WA (US)
- (**) Term: **15 Years**
- (21) Appl. No.: **29/589,862**
- (22) Filed: **Jan. 5, 2017**

Related U.S. Application Data

- (62) Division of application No. 29/538,239, filed on Sep. 2, 2015, now Pat. No. Des. 779,488.
- (51) **LOC (10) Cl.** **14-02**
- (52) **U.S. Cl.**
USPC **D14/392**
- (58) **Field of Classification Search**
USPC D14/240, 315, 391-399, 433, 443, 447, D14/455, 456; D18/1, 2, 7, 11
CPC G06F 3/0202; G06F 3/0205; G06F 3/0219; G06F 3/0221; G06F 3/038; H04L 17/04; H04L 17/12; B41J 5/10
See application file for complete search history.

References Cited

U.S. PATENT DOCUMENTS

D278,063 S	3/1985	Chamberlain et al.	
D293,911 S	1/1988	Lynar et al.	
D308,360 S	6/1990	Schaum	
D311,171 S *	10/1990	Santer	D14/392
D319,047 S *	8/1991	Yomo	D14/396
D335,288 S *	5/1993	Francis	D14/396

5,439,304 A	8/1995	Phillips et al.	
D368,707 S *	4/1996	Backs	D14/397
D369,594 S *	5/1996	Vossoughi	D14/397
D376,356 S	12/1996	Chung	
D412,895 S	8/1999	Wu	
D445,799 S	7/2001	Prokop	
D485,271 S *	1/2004	Kamegi	D14/392
D490,812 S	6/2004	Andre et al.	
D517,069 S	3/2006	Chou	
D518,053 S *	3/2006	Chen	D14/392
D543,544 S *	5/2007	Cheng	D14/392
D546,332 S	7/2007	Depay et al.	
D547,759 S	7/2007	DeMaio et al.	
D551,229 S	9/2007	DeMaio et al.	
D555,650 S	11/2007	Hippenstiel et al.	
D598,451 S *	8/2009	Andre	D14/392
D599,350 S	9/2009	O'Neil et al.	
D601,563 S	10/2009	Kujawski	

(Continued)

Primary Examiner — George D Kirschbaum

Assistant Examiner — Joseph Kukella

(74) *Attorney, Agent, or Firm* — Banner & Witcoff, Ltd.

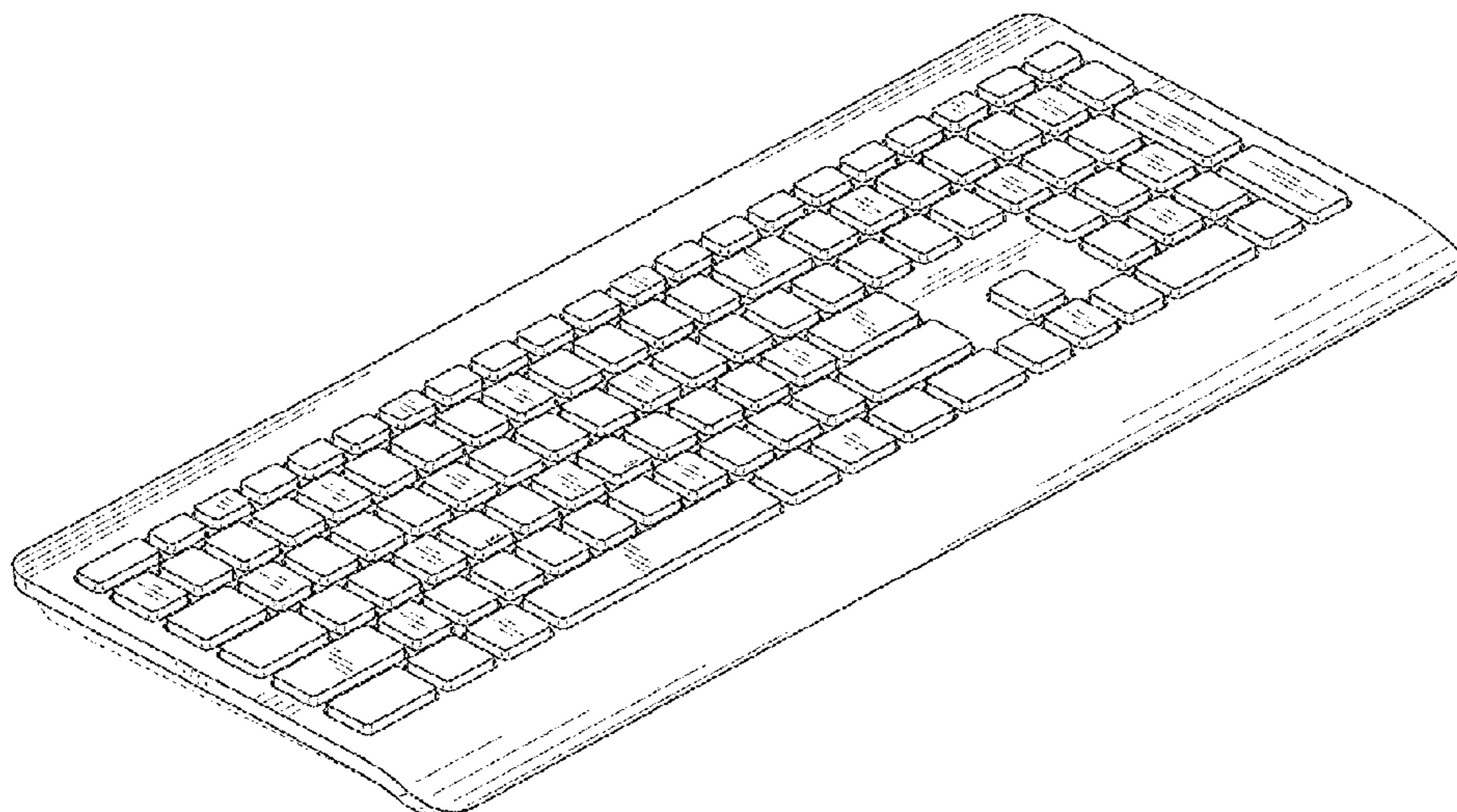
(57) **CLAIM**

The ornamental design for a keyboard, as shown and described.

DESCRIPTION

FIG. 1 is a front perspective view of a keyboard showing our new design;
 FIG. 2 is a rear perspective view thereof;
 FIG. 3 is a front view thereof;
 FIG. 4 is a rear view thereof;
 FIG. 5 is a right side view thereof;
 FIG. 6 is a left side view thereof;
 FIG. 7 is a top view thereof; and,
 FIG. 8 is a bottom view thereof.
 The broken line showing of the various unshaded elements of the keyboard is for environmental purposes only and forms no part of the claimed design.

1 Claim, 5 Drawing Sheets



(56)

References Cited

U.S. PATENT DOCUMENTS

D604,300	S	*	11/2009	Andre	D14/392
D604,736	S	*	11/2009	Andre	D14/392
D606,073	S	*	12/2009	O'Neil	D14/391
D621,402	S		8/2010	Andre et al.	
D665,805	S		8/2012	Obata et al.	
D678,278	S	*	3/2013	Brown	D14/391
D727,324	S	*	4/2015	King	D14/392
D772,885	S	*	11/2016	Akana	D14/455
2006/0187622	A1		8/2006	Jing	
2009/0002925	A1		1/2009	Hung et al.	
2011/0051343	A1		3/2011	Lee	

* cited by examiner

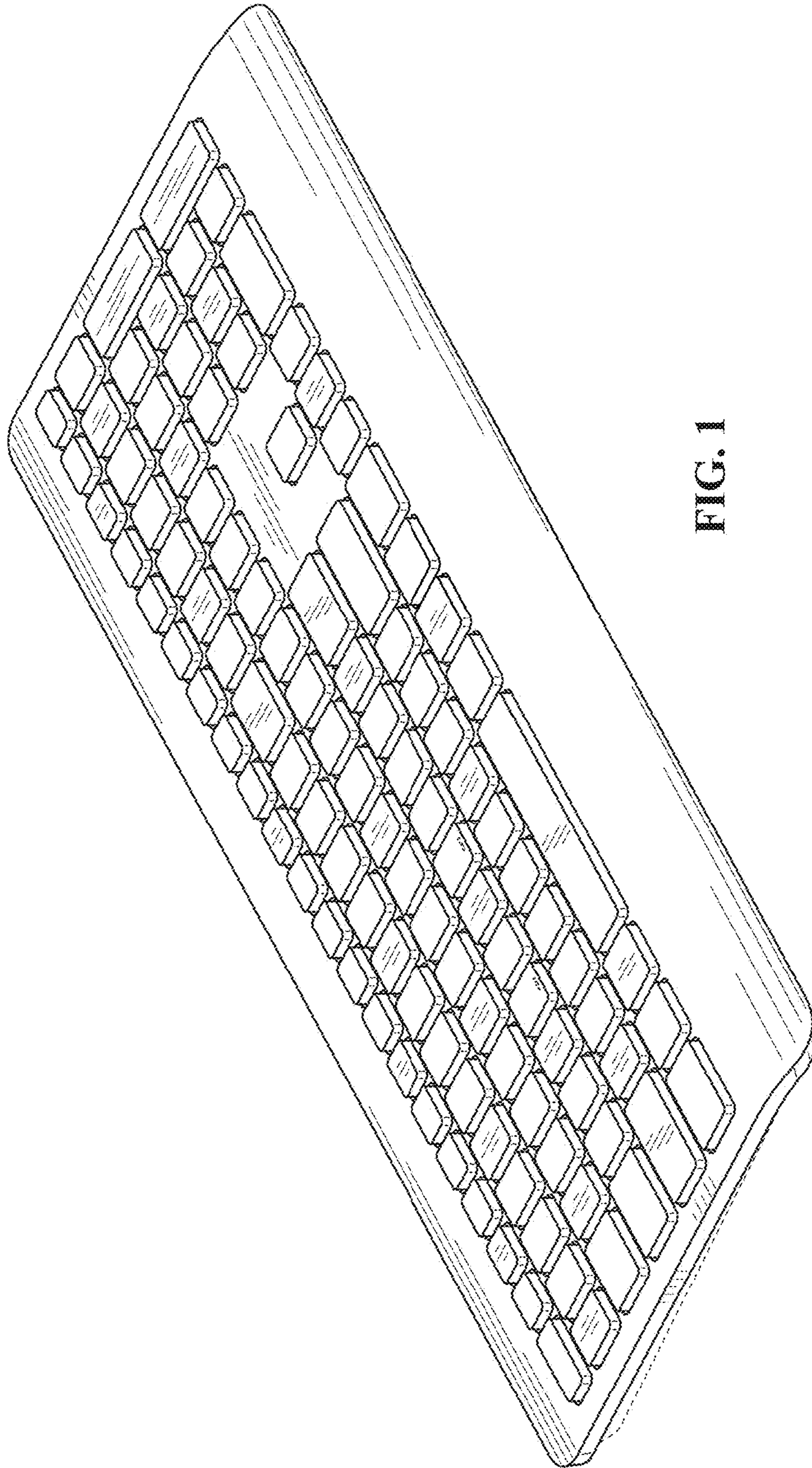


FIG. 1

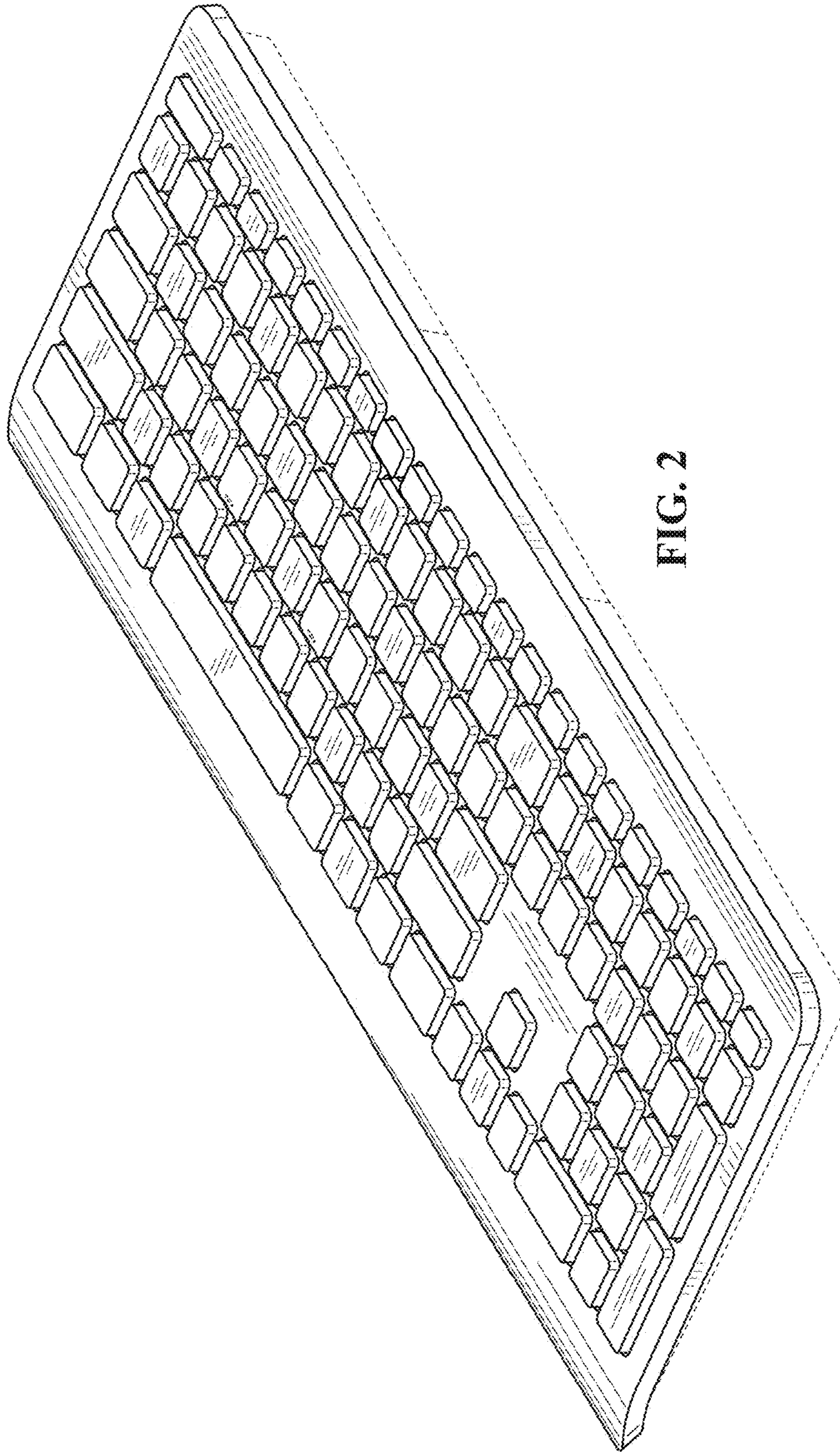


FIG. 2

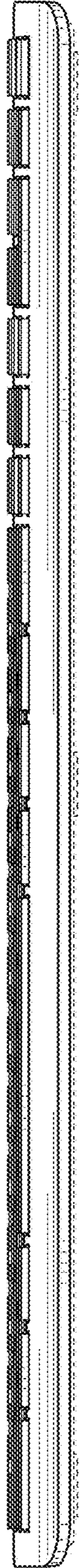


FIG. 3

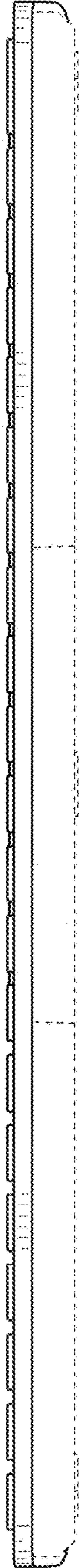


FIG. 4



FIG. 5

FIG. 6

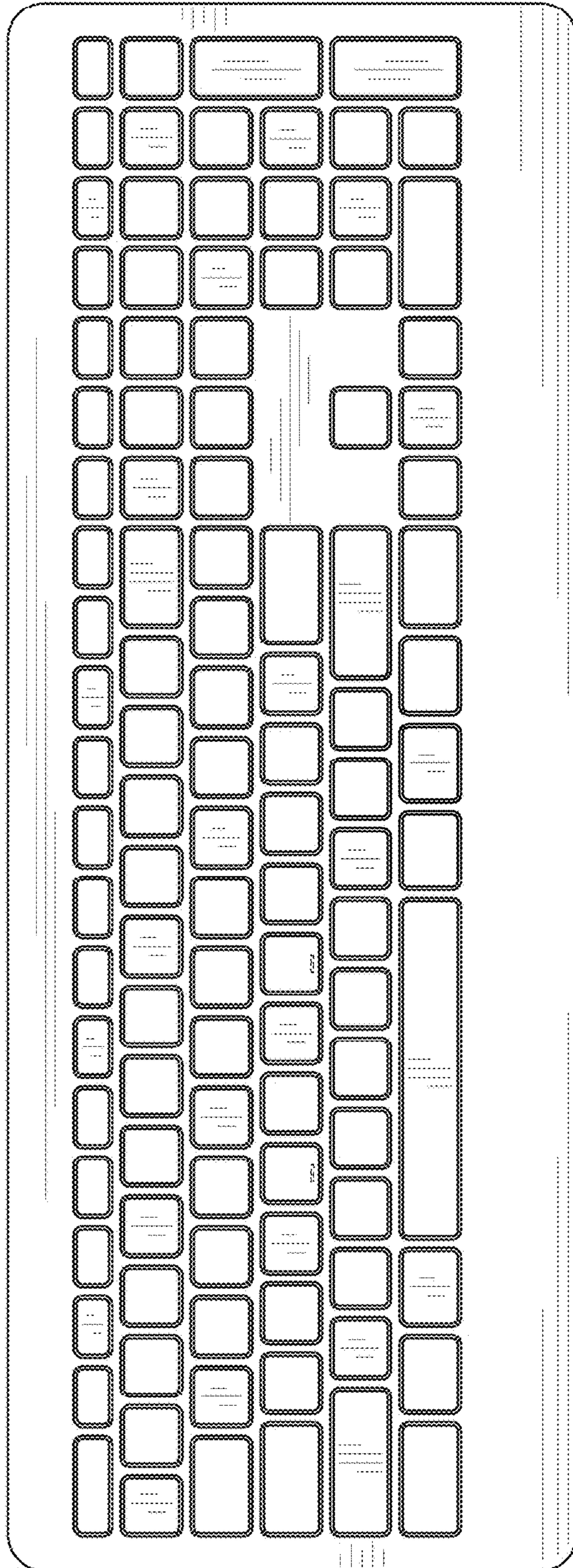


FIG. 7

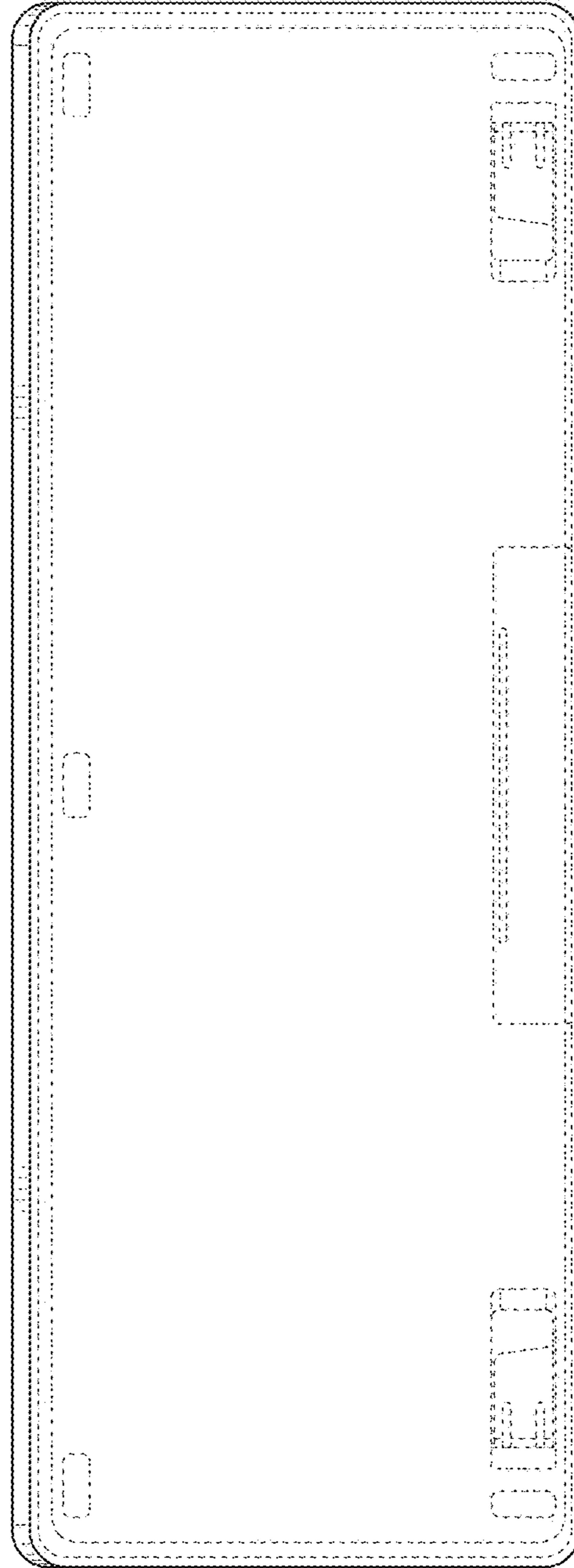


FIG. 8