



US00D790539S

(12) **United States Design Patent** (10) **Patent No.:** **US D790,539 S**
Lee (45) **Date of Patent:** **** Jun. 27, 2017**

(54) **NETWORK COMMUNICATION DEVICE**
(71) Applicant: **GoPro, Inc.**, San Mateo, CA (US)
(72) Inventor: **Seungheon Lee**, Cupertino, CA (US)
(73) Assignee: **GoPro, Inc.**, San Mateo, CA (US)
(**) Term: **15 Years**
(21) Appl. No.: **29/576,879**
(22) Filed: **Sep. 7, 2016**
(51) **LOC (10) Cl.** **14-02**
(52) **U.S. Cl.**
USPC **D14/358**; D14/240
(58) **Field of Classification Search**
USPC D14/356-358, 388, 496, 137, 140, 140.1,
D14/140.2, 155, 225, 226, 230, 240, 242,
D14/243, 299, 300, 301, 302, 314, 328,
D14/348, 349, 353, 354; D13/123, 158,
D13/162, 162.1, 164, 168, 171-174, 184,
D13/199; D10/61, 65, 103, 104.1, 121,
D10/46, 106.1, 106.2, 106.3, 106.6, 106.9
CPC ... H04W 88/00; H04W 88/005; H04W 88/08;
H04W 88/085; H04W 88/10; H04W
88/12; H04W 84/04; H04W 84/042;
H04W 84/045; H04W 84/047; H04W
84/105; H05K 5/0217
See application file for complete search history.

D411,185 S * 6/1999 Isshiki D14/358
D462,351 S * 9/2002 Tanaka D14/356
D484,128 S * 12/2003 Chung D14/356
D486,479 S * 2/2004 Chung D14/240
D512,059 S * 11/2005 Zhang D14/348
D520,997 S * 5/2006 Lee D14/356
D523,014 S * 6/2006 Liu D14/240
D530,315 S * 10/2006 Liu D14/240
D536,333 S * 2/2007 McRae D14/240
D538,803 S * 3/2007 Chen D14/348
D565,571 S * 4/2008 Trifilio D14/356
D579,931 S * 11/2008 Chang D14/242
D585,374 S * 1/2009 Kim D13/123
D596,634 S * 7/2009 Wong D14/358
D613,727 S * 4/2010 Xie D14/240
D625,720 S * 10/2010 Kang D14/203.1
D665,348 S * 8/2012 Ledbetter D13/110
D669,060 S * 10/2012 Huang D14/240
D671,100 S * 11/2012 Huang D14/242
D687,023 S * 7/2013 Jung D14/242
D700,246 S * 2/2014 Jacobs D14/496

(Continued)

Primary Examiner — Susan Bennett Hattan
Assistant Examiner — Marie Fast Horse
(74) *Attorney, Agent, or Firm* — Fenwick & West LLP

(57) **CLAIM**

The ornamental design for a network communication device, as shown and described.

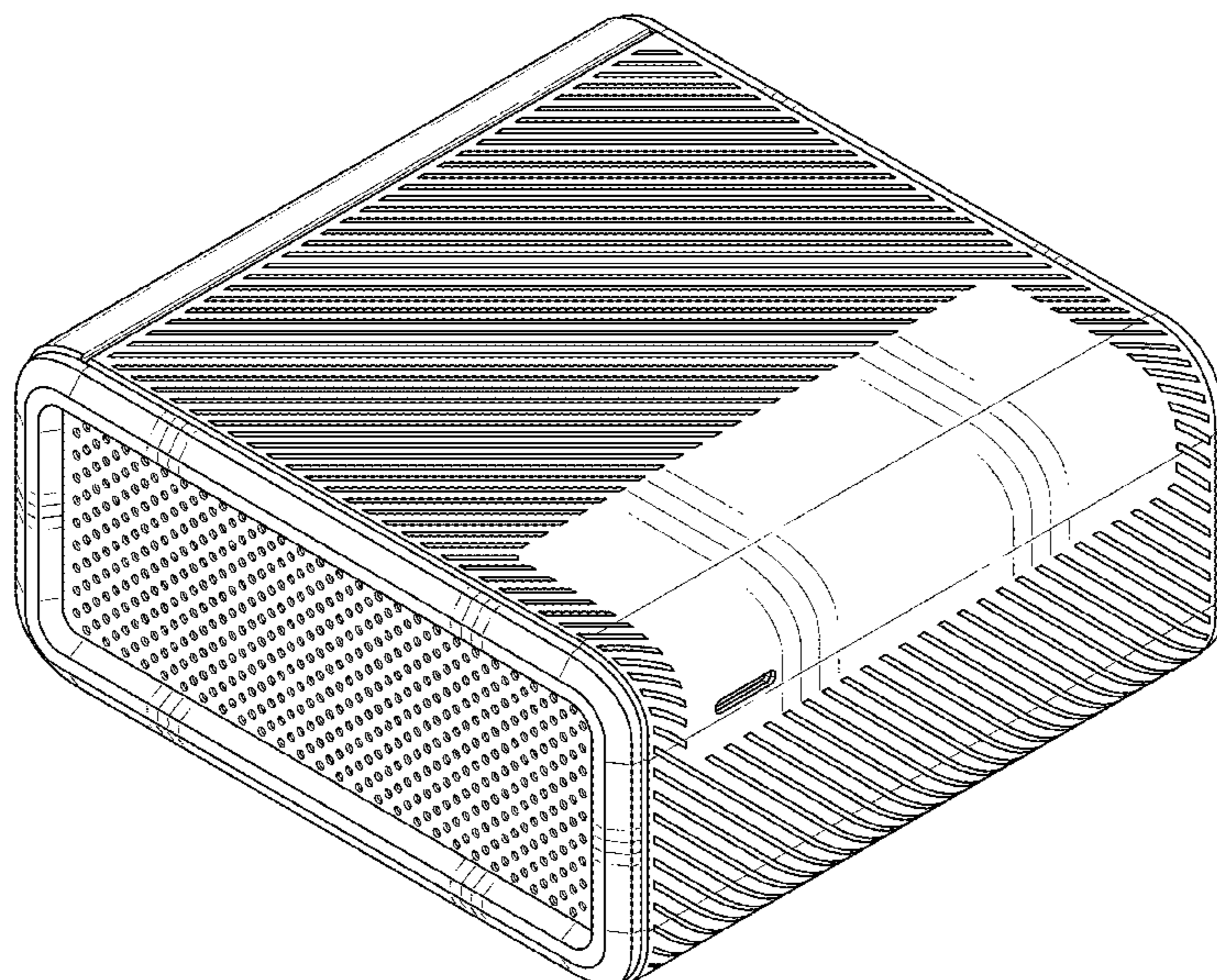
DESCRIPTION

FIG. 1 is a front, top, and left perspective view of a network communication device;
FIG. 2 is a rear, bottom, and right perspective view thereof;
FIG. 3 is a top view thereof;
FIG. 4 is a bottom view thereof;
FIG. 5 is a right view thereof;
FIG. 6 is a left view thereof;
FIG. 7 is a front view thereof; and,
FIG. 8 is a rear view thereof.

1 Claim, 8 Drawing Sheets

(56) **References Cited**
U.S. PATENT DOCUMENTS

D265,906 S * 8/1982 Steinbugler D14/242
D269,345 S * 6/1983 Payne, Jr. D14/242
D309,728 S * 8/1990 Nuttall D14/356
D311,740 S * 10/1990 Wagner D14/358
D337,314 S * 7/1993 Spayde D14/314
D346,607 S * 5/1994 Bhargava D14/242
D353,598 S * 12/1994 Brandt D14/242



(56)

References Cited

U.S. PATENT DOCUMENTS

D721,738 S *	1/2015	Hochman	D14/496
D741,839 S *	10/2015	Osborn	D14/214
D745,589 S *	12/2015	Lee	D16/218
D758,343 S *	6/2016	Lindenberger	D14/214
D766,223 S *	9/2016	Chen	D14/240
D766,985 S *	9/2016	Chatterjee	D14/496
D778,280 S *	2/2017	Vanderpol	D14/363
D781,812 S *	3/2017	Cho	D14/204
D783,583 S *	4/2017	Moon	D14/240
2003/0081377 A1 *	5/2003	Lin	G06F 13/4286 361/679.02
2016/0261041 A1 *	9/2016	Lo Hine Tong	H01Q 1/24

* cited by examiner

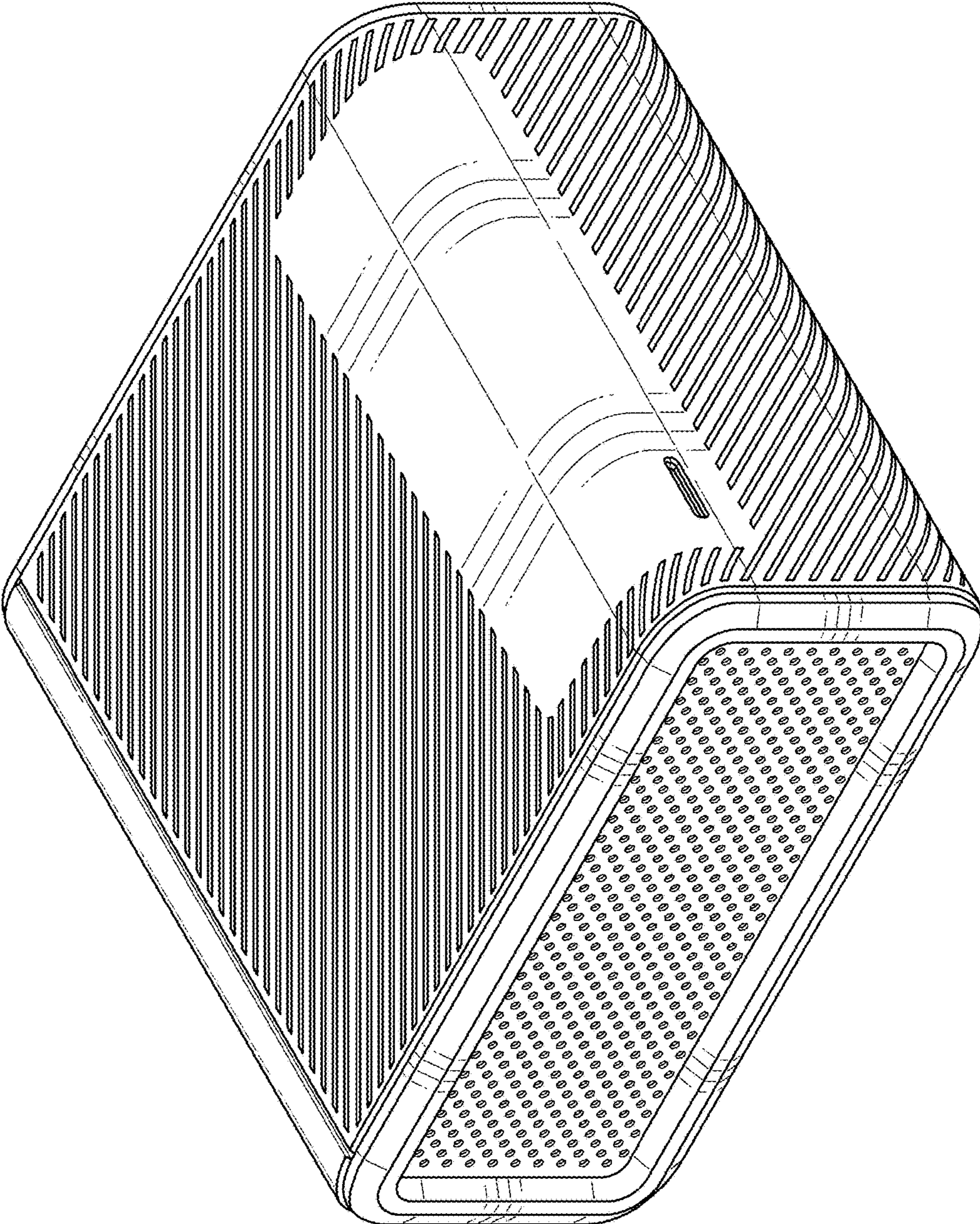


FIG. 1

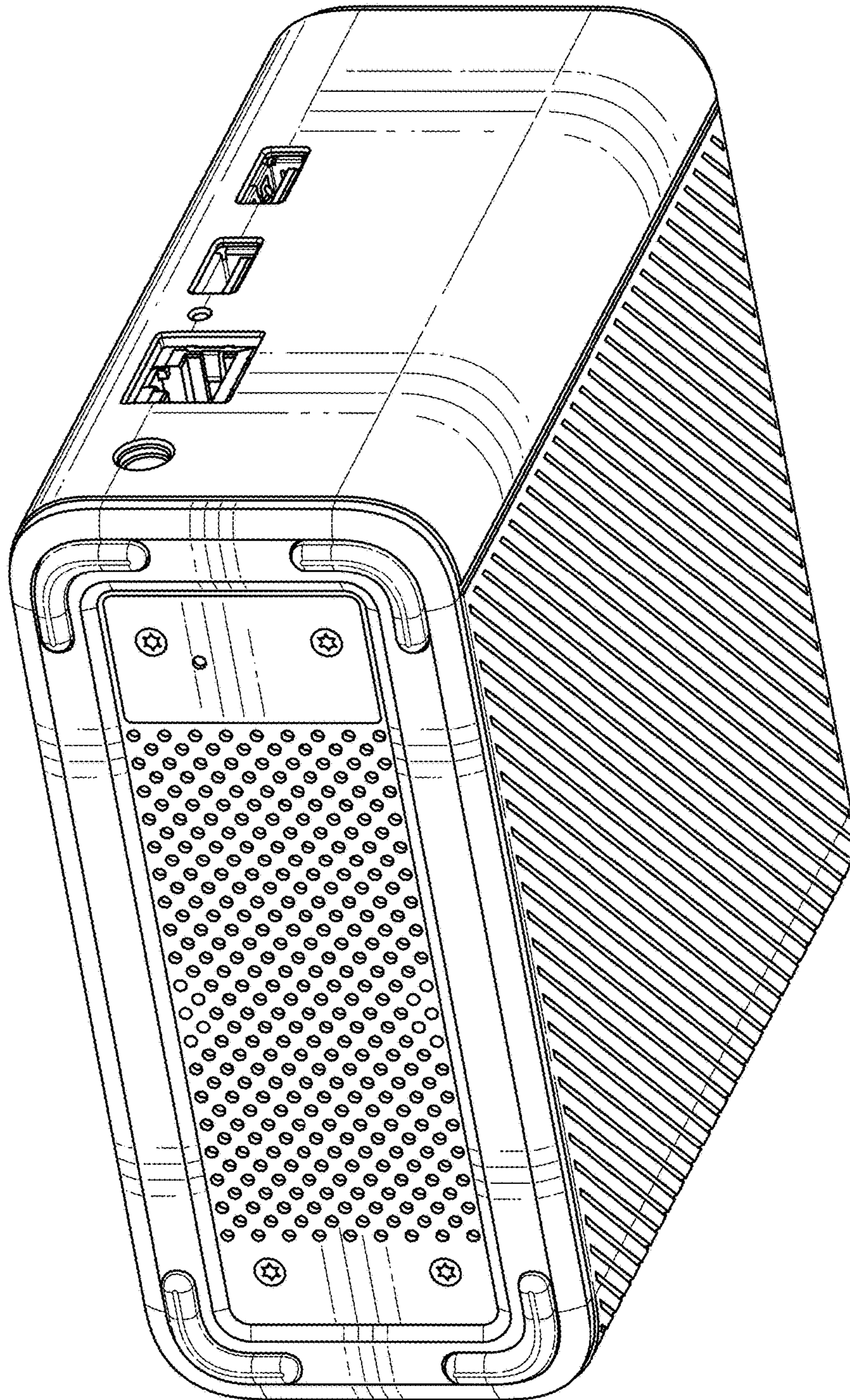


FIG. 2

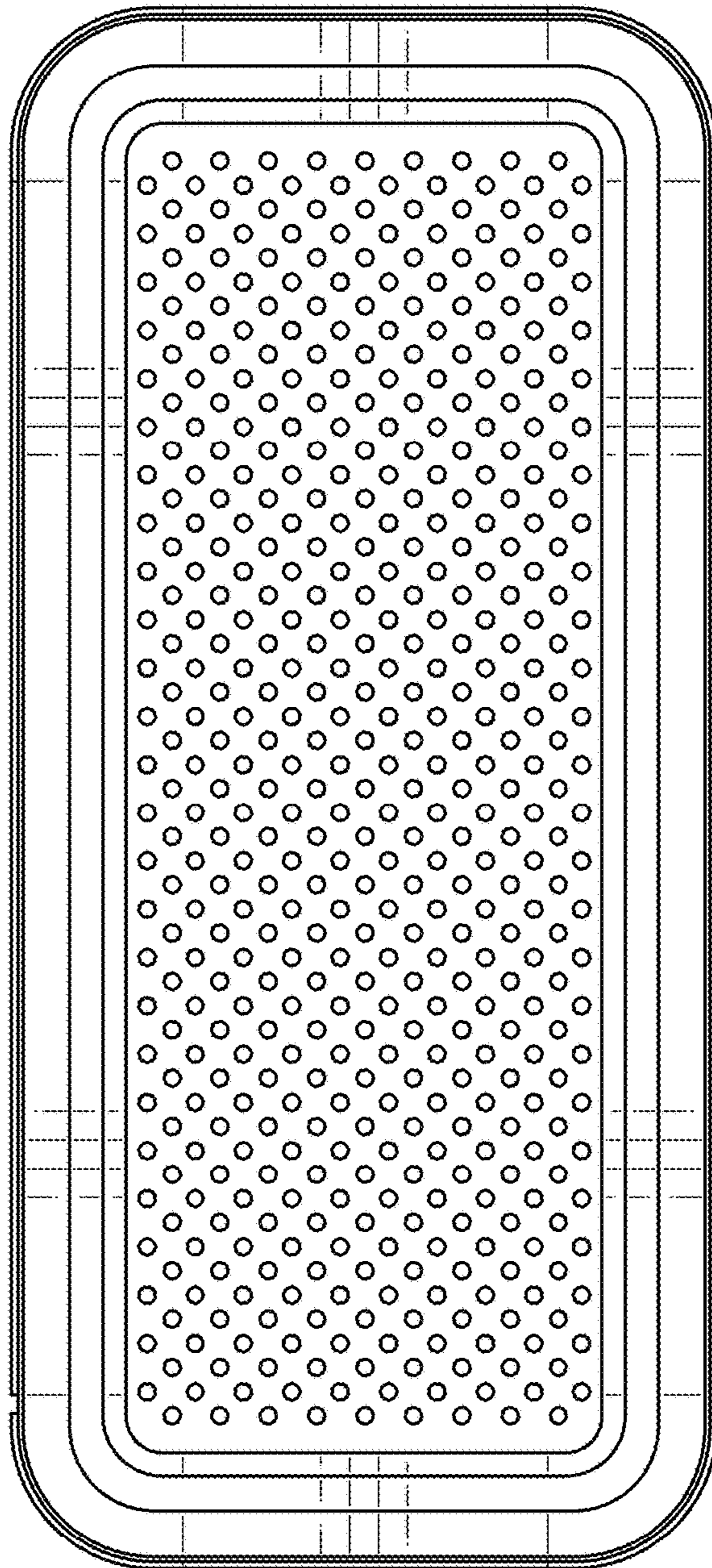


FIG. 3

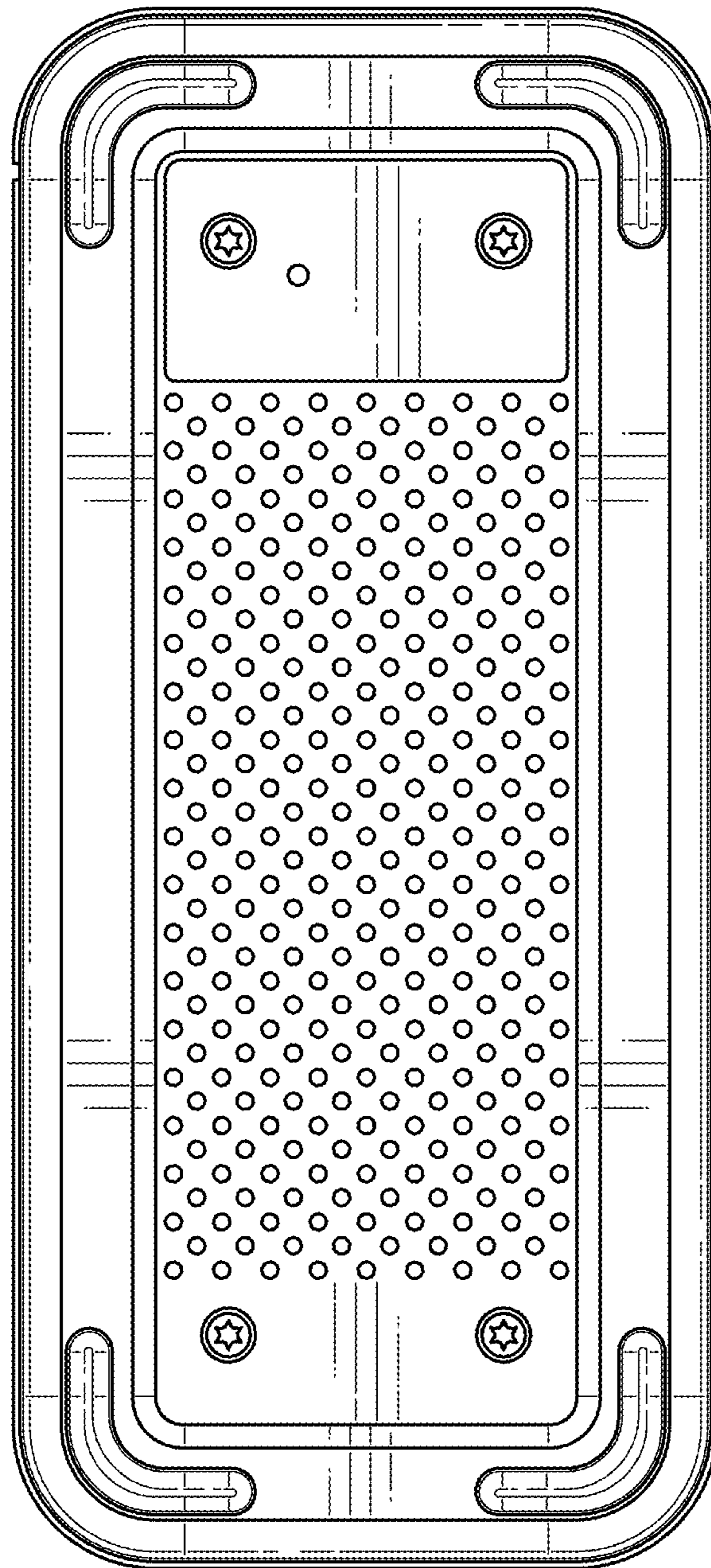


FIG. 4

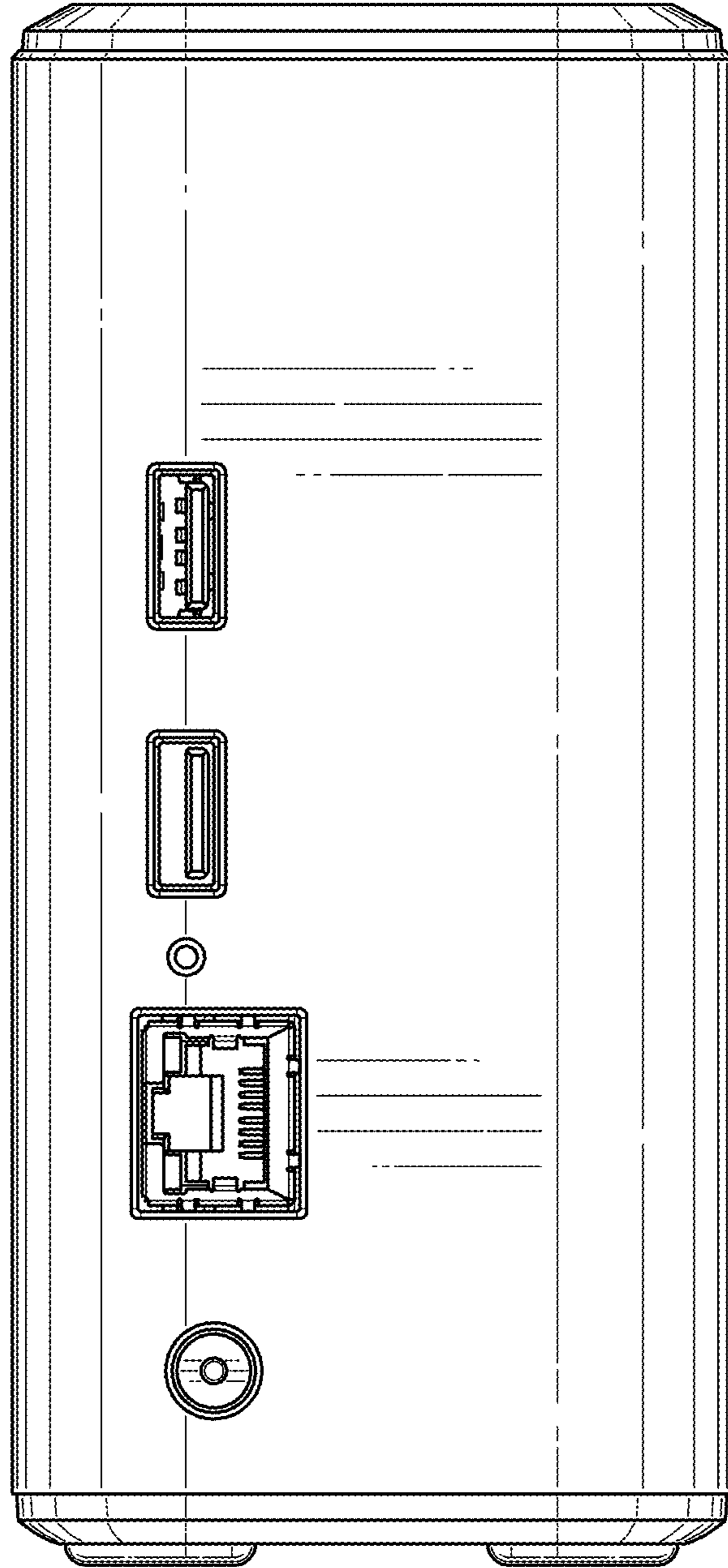


FIG. 5

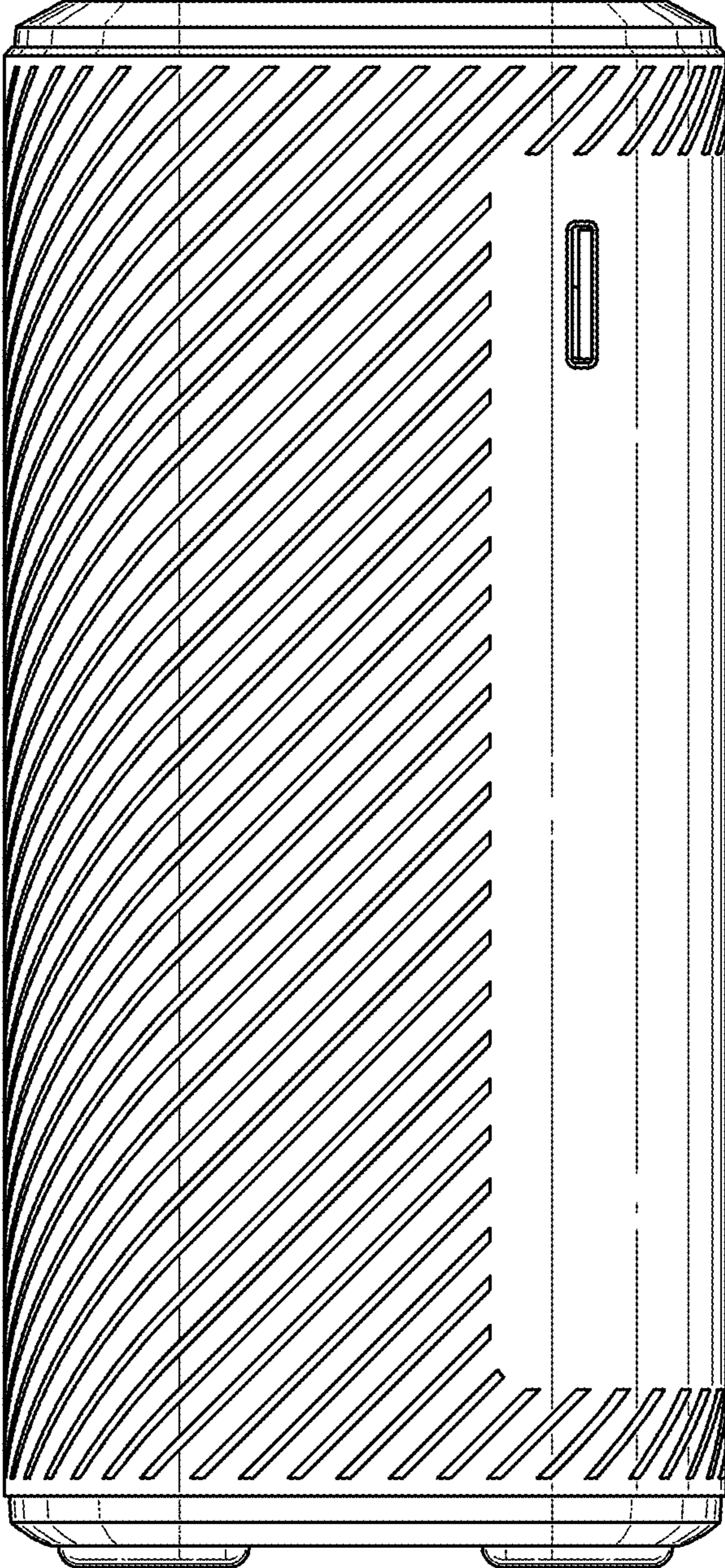


FIG. 6

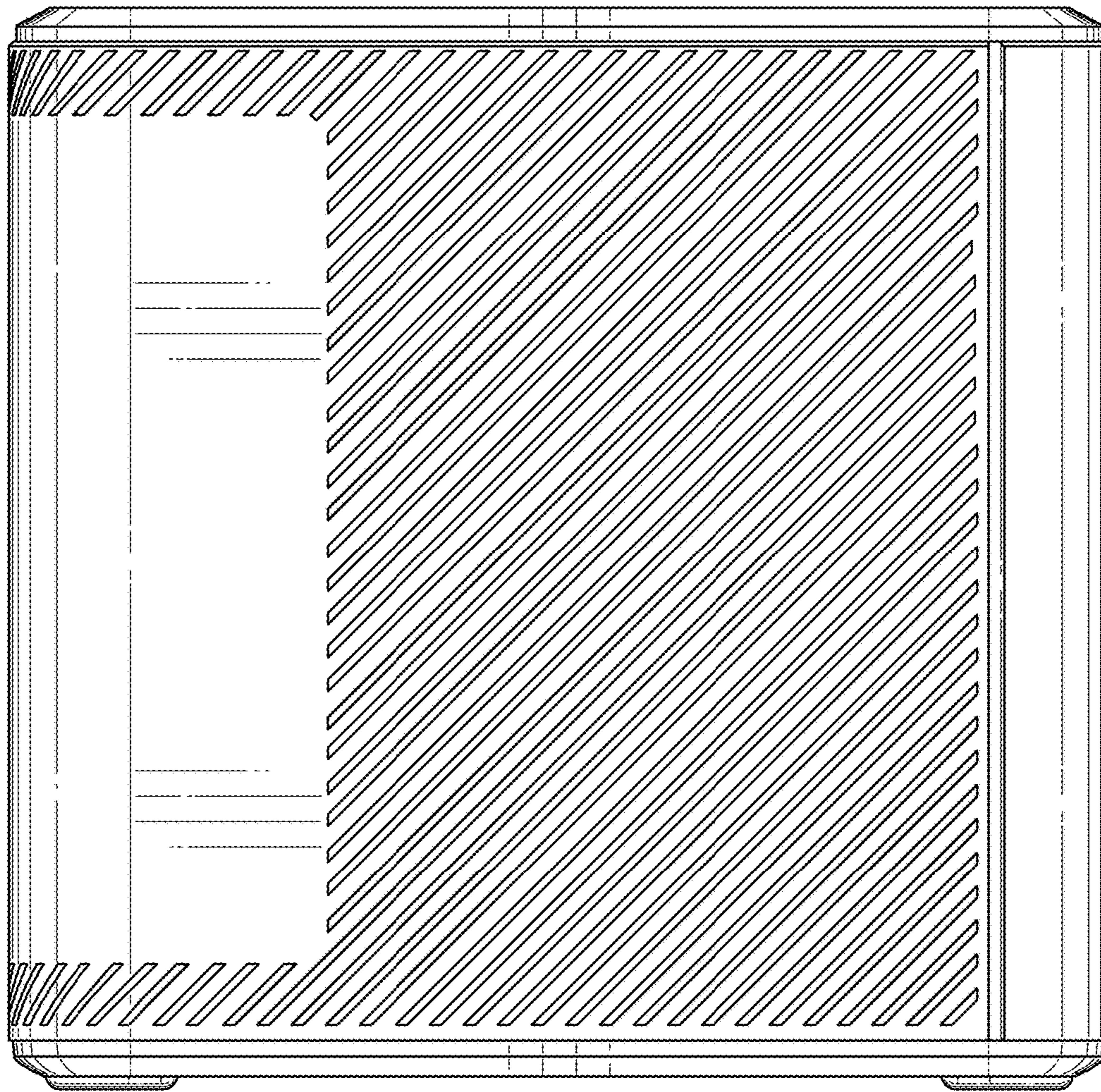


FIG. 7

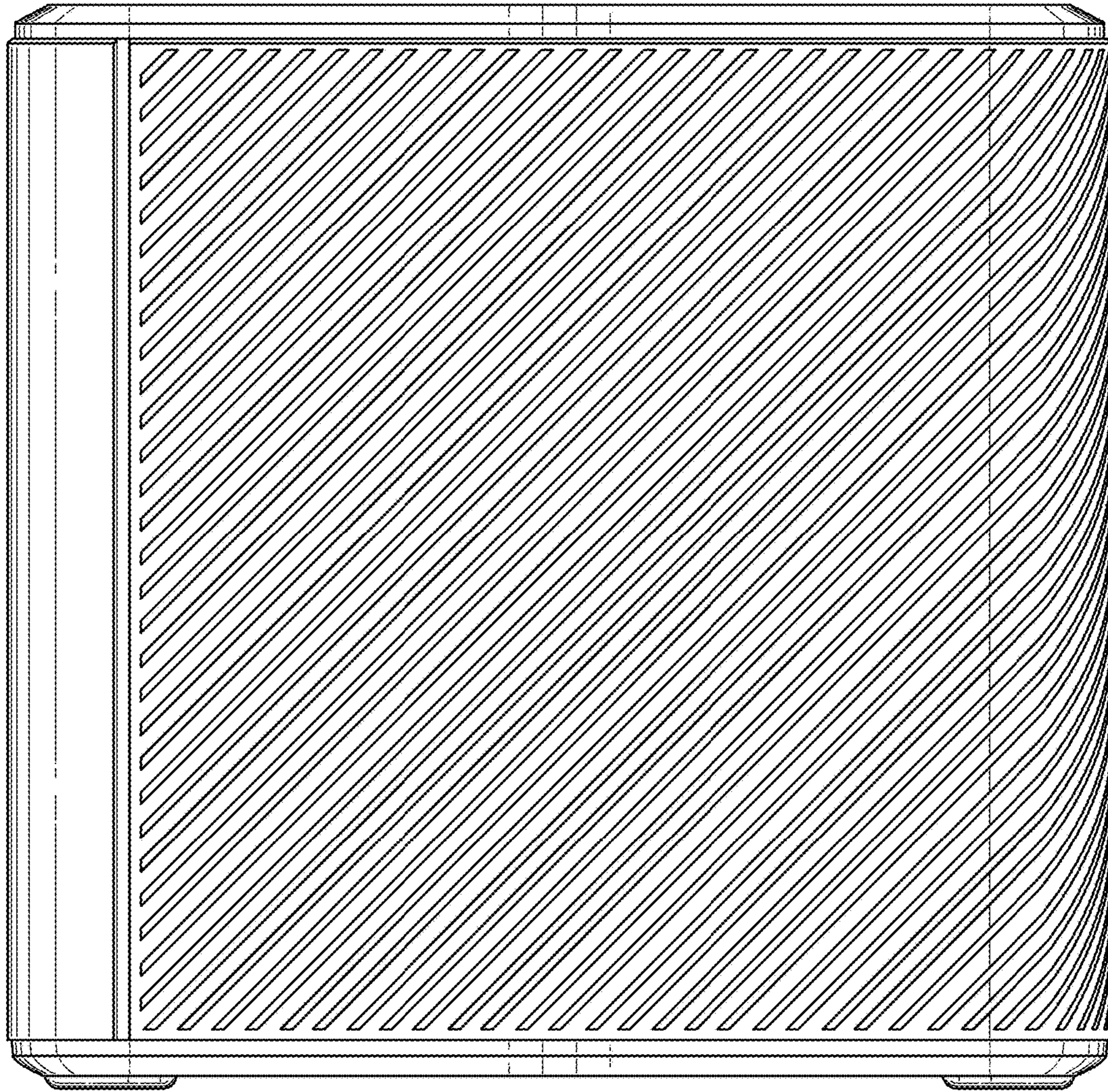


FIG. 8