



US00D790538S

(12) **United States Design Patent** (10) **Patent No.:** **US D790,538 S**  
**Saimen et al.** (45) **Date of Patent:** **\*\* Jun. 27, 2017**

- (54) **WIRELESS ACCESS POINT**
- (71) Applicant: **SHARP KABUSHIKI KAISHA**,  
Osaka-shi, Osaka (JP)
- (72) Inventors: **Tadahiko Saimen**, Osaka (JP);  
**Hirokazu Shibata**, Osaka (JP);  
**Yasuaki Okawa**, Osaka (JP)
- (73) Assignee: **Sharp Kabushiki Kaisha**, Osaka (JP)
- (\*\*) Term: **15 Years**
- (21) Appl. No.: **29/551,632**
- (22) Filed: **Jan. 15, 2016**
- (51) **LOC (10) Cl.** ..... **14-02**
- (52) **U.S. Cl.**  
USPC ..... **D14/358; D14/240**
- (58) **Field of Classification Search**  
USPC .... D14/356–358, 388, 496, 137, 140, 140.1,  
D14/140.2, 155, 225, 226, 230, 240, 242,  
D14/243, 299, 300, 301, 302, 314, 328,  
D14/348, 349, 353, 354; D13/123, 158,  
D13/162, 162.1, 164, 168, 171–174, 184,  
D13/199; D10/61, 65, 103, 104.1, 121,  
D10/46, 106.1, 106.2, 106.3, 106.6, 106.9  
CPC ... H04W 88/00; H04W 88/005; H04W 88/08;  
H04W 88/085; H04W 88/10; H04W  
88/12; H04W 84/04; H04W 84/042;  
H04W 84/045; H04W 84/047; H04W  
84/105; H05K 5/0217  
See application file for complete search history.

- D573,136 S \* 7/2008 Lee ..... D14/204
  - D580,422 S \* 11/2008 Lee ..... D14/240
  - D580,931 S \* 11/2008 Chang ..... D14/356
  - D583,341 S \* 12/2008 Wang ..... D14/138 AB
- (Continued)

**OTHER PUBLICATIONS**

Wireless Routers—Access Points—Networks. (Design—© Questel). orbit.com. [online PDF] 15 pgs. Print Dates range Jan. 26, 2009–Dec. 9, 2014. [retrieved on Feb. 16, 2017] <https://sobjprd.questel.fr/export/QPTUJ214/pdf2/5b8c6803-1327-4dff-b130-215f6e1df677-162424.pdf>.\*

*Primary Examiner* — Susan Bennett Hattan  
*Assistant Examiner* — Marie Fast Horse  
(74) *Attorney, Agent, or Firm* — Nixon & Vanderhye P.C.

(57) **CLAIM**

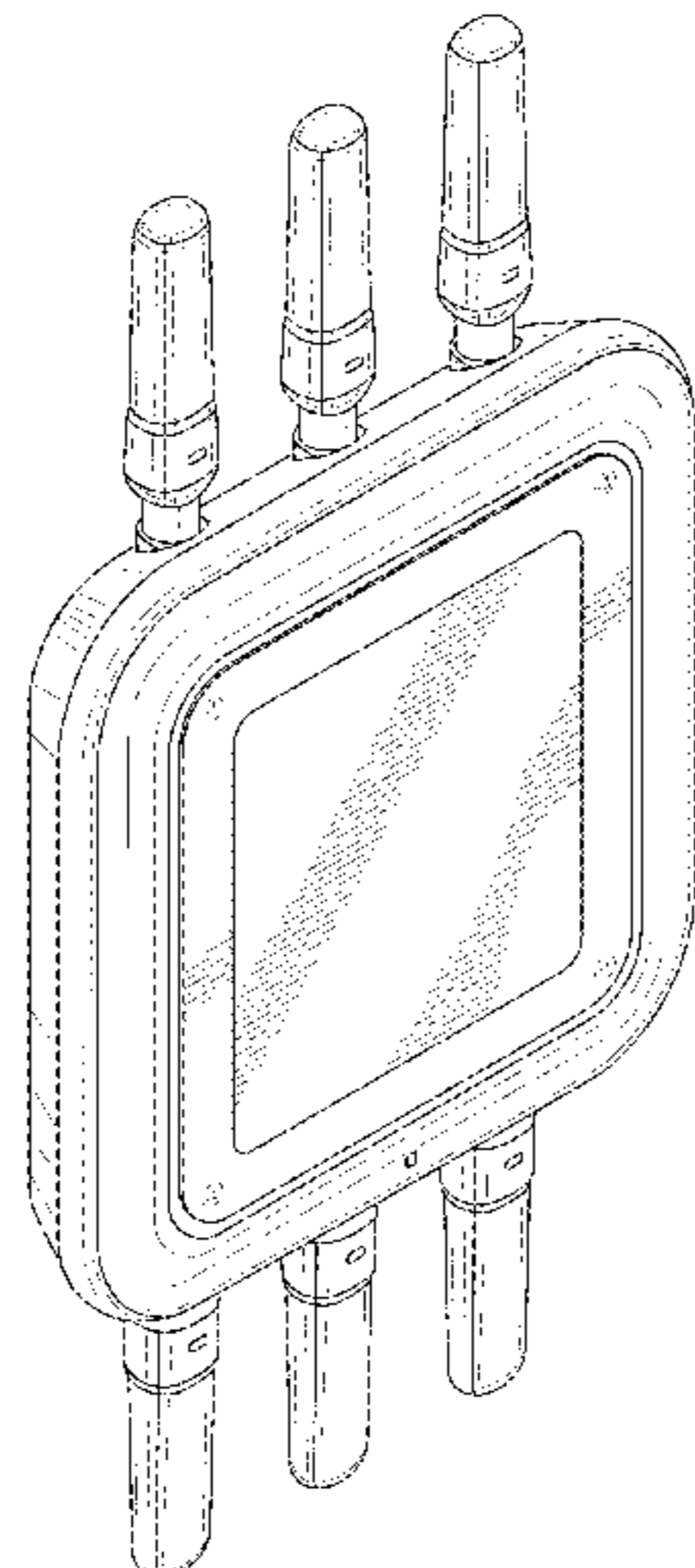
The ornamental design for “wireless access point,” as shown and described.

**DESCRIPTION**

FIG. 1 is a front, left perspective view of a wireless access point in accordance with our new design, particularly showing antenna straightened to a first position;  
FIG. 2 is a front elevation view thereof;  
FIG. 3 is a rear elevation view thereof;  
FIG. 4 is top plan view thereof;  
FIG. 5 is a bottom plan view thereof;  
FIG. 6 is a right-side elevation view thereof;  
FIG. 7 is a left-side elevation view thereof;  
FIG. 8 is right, rear perspective view thereof;  
FIG. 9 is a cross section view taken along the line 9-9 in FIG. 2;  
FIG. 10 is a cross section view taken along the line 10-10 in FIG. 2; and,  
FIG. 11 is a front, left perspective view of the wireless access point of FIG. 1, showing antenna bent to a second position.

**1 Claim, 8 Drawing Sheets**

- (56) **References Cited**  
U.S. PATENT DOCUMENTS
- D478,580 S 8/2003 Schmidt et al.
- D480,716 S 10/2003 Saikawa et al.
- D484,879 S 1/2004 Jones
- D497,905 S 11/2004 Takimoto
- D556,190 S \* 11/2007 Liu ..... D14/240
- D559,841 S \* 1/2008 Liu ..... D14/240
- D561,750 S \* 2/2008 Liu ..... D14/240



(56)

**References Cited**

U.S. PATENT DOCUMENTS

D585,427 S *	1/2009	Lee .....	D14/204
D597,087 S *	7/2009	Herbst .....	D14/240
D606,523 S *	12/2009	Herbst .....	D14/240
D641,740 S *	7/2011	Jeon .....	D14/140.6
D651,194 S *	12/2011	Fathollahi .....	D14/215
D662,496 S *	6/2012	Lewis .....	D14/240
D695,282 S *	12/2013	Malasani .....	D14/240
D711,359 S *	8/2014	Marzynski .....	D14/240
D730,328 S *	5/2015	Chun .....	D14/230
D730,880 S *	6/2015	Nagata .....	D14/240
D766,223 S *	9/2016	Chen .....	D14/240

\* cited by examiner

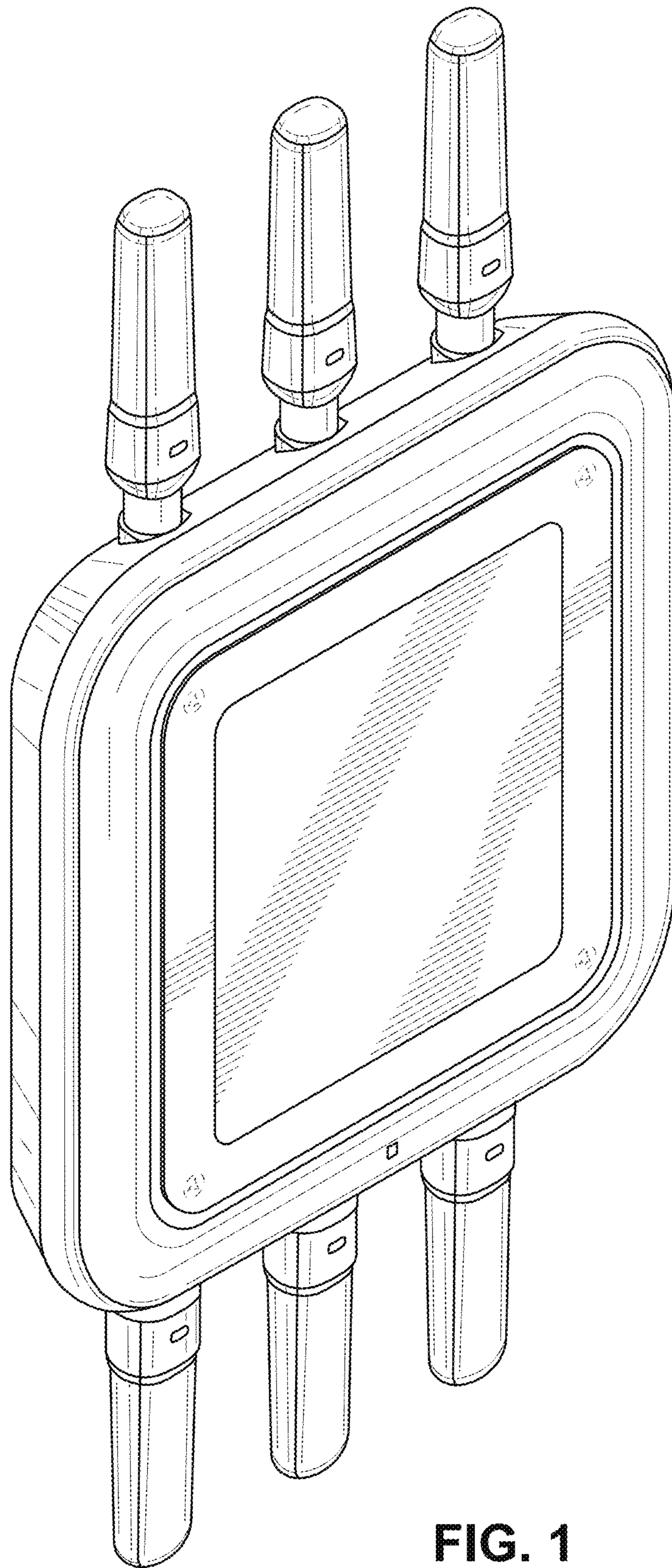


FIG. 1

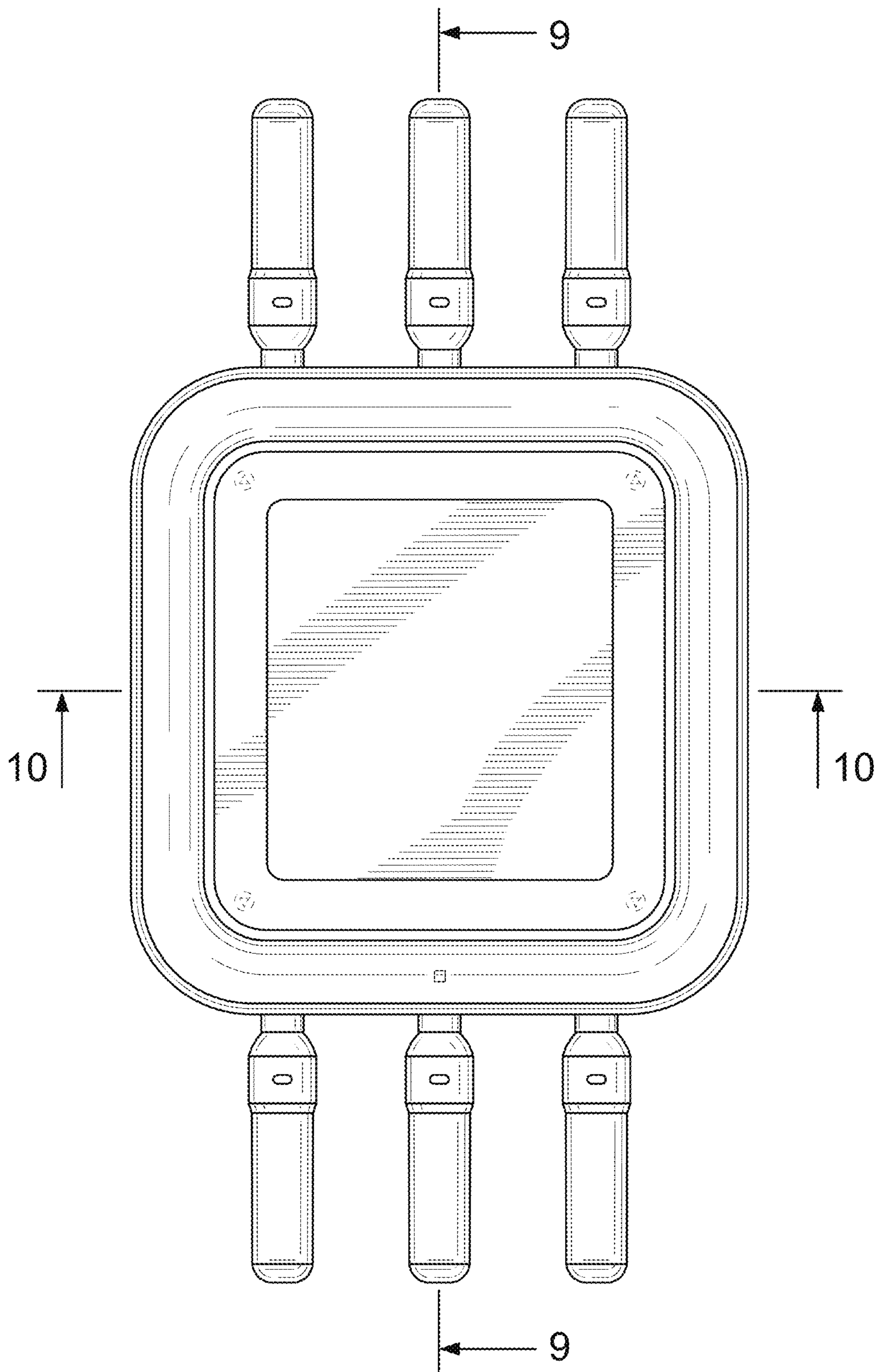


FIG. 2

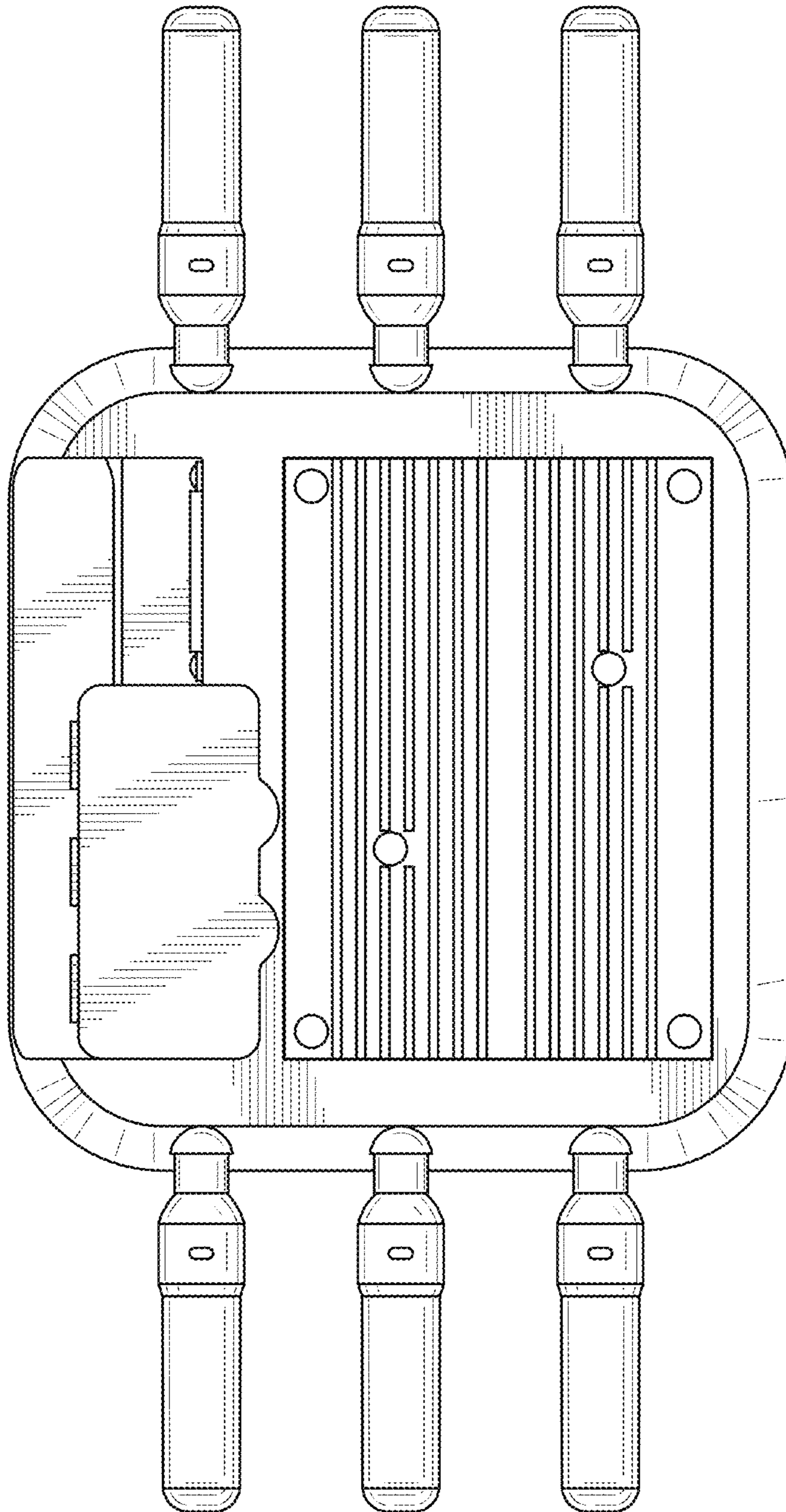


FIG. 3

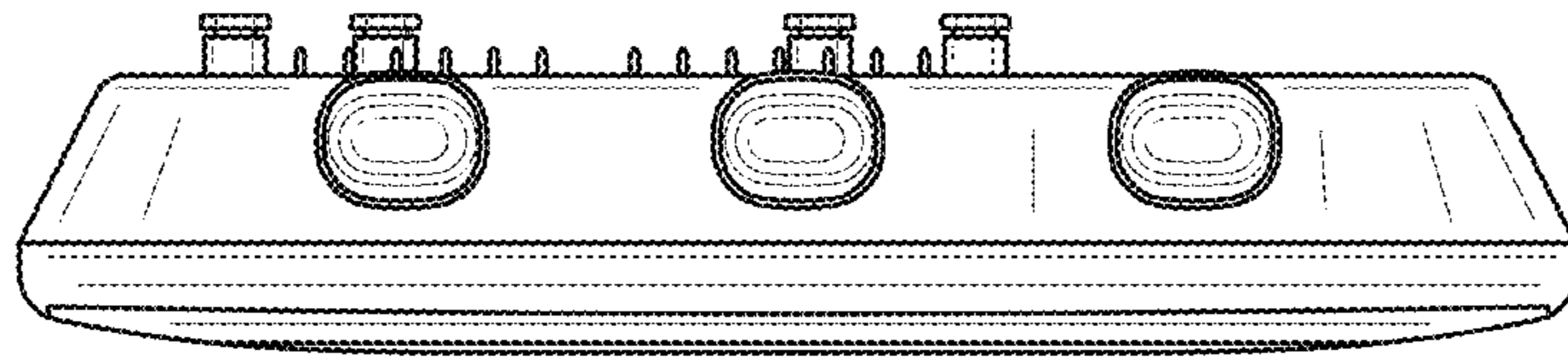


FIG. 4

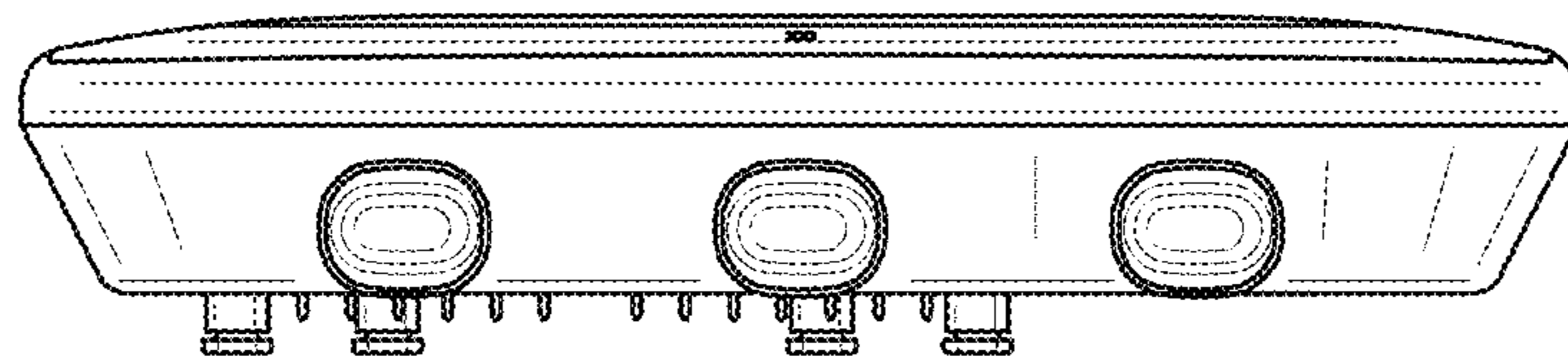


FIG. 5

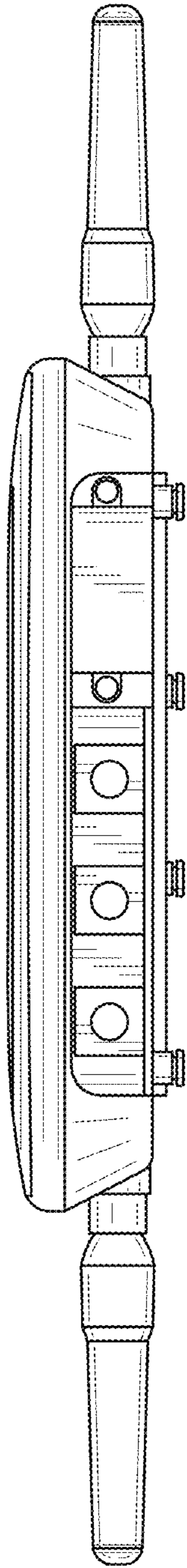


FIG. 6

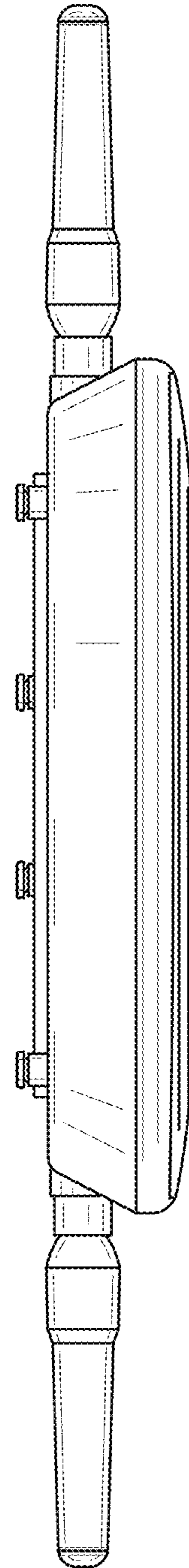


FIG. 7

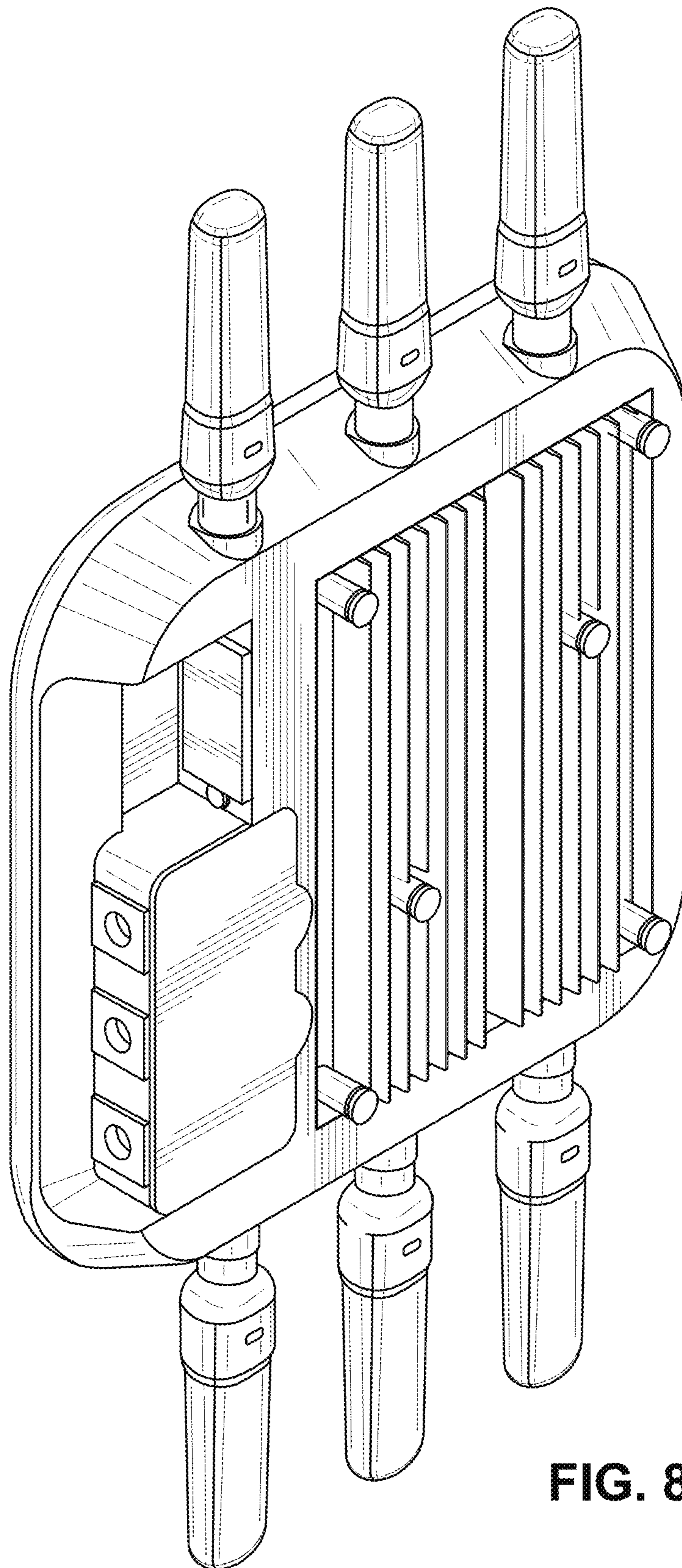
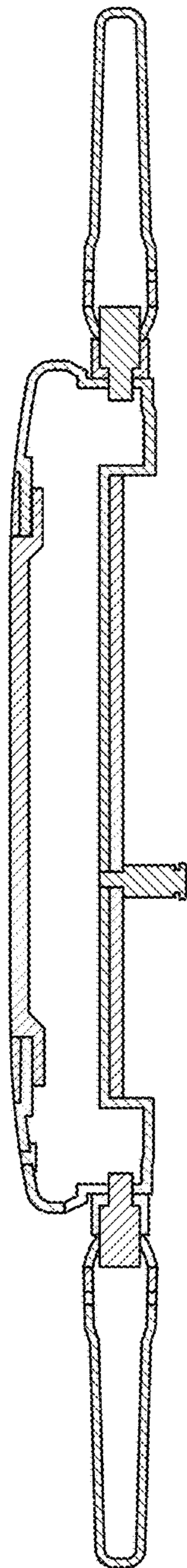
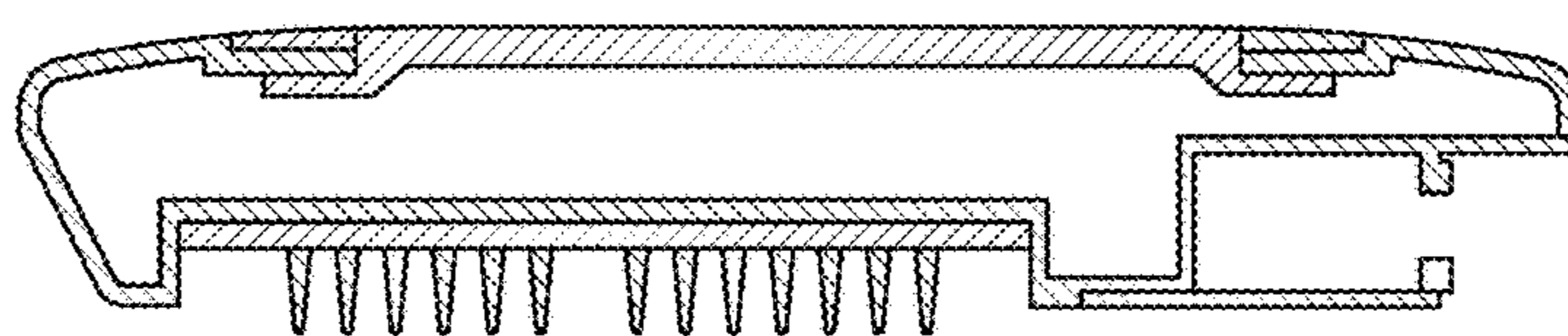


FIG. 8





**FIG. 9**



**FIG. 10**

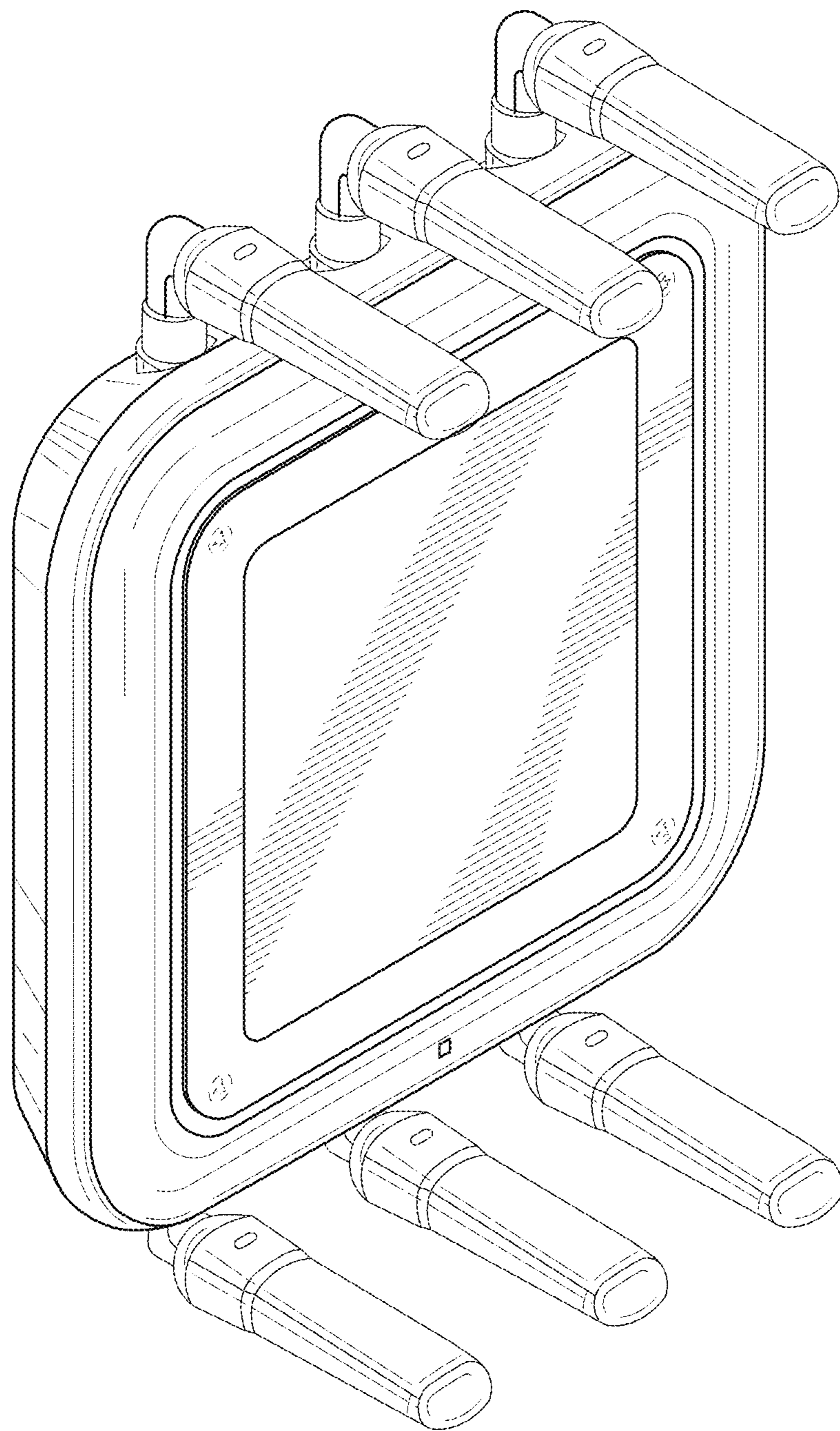


FIG. 11