



US00D790537S

(12) **United States Design Patent**
Bae et al.

(10) **Patent No.:** **US D790,537 S**
(45) **Date of Patent:** **** Jun. 27, 2017**

(54) **PORTABLE ELECTRONIC DEVICE**

(71) Applicant: **Samsung Electronics Co., Ltd.**,
Suwon-si, Gyeonggi-do (KR)

(72) Inventors: **Junwon Bae**, Yongin-si (KR);
Jonghyuk Park, Seoul (KR); **Hoyoung Joo**,
Goyang-si (KR); **Gunwoong Kim**, Seoul (KR);
Kio Lee, Seoul (KR)

(73) Assignee: **SAMSUNG ELECTRONICS CO., LTD.**,
Suwon-si, Gyeonggi-Do (KR)

(**) Term: **15 Years**

(21) Appl. No.: **29/533,096**

(22) Filed: **Jul. 14, 2015**

(30) **Foreign Application Priority Data**

Jan. 16, 2015 (KR) 30-2015-0002316

(51) **LOC (10) Cl.** **14-02**

(52) **U.S. Cl.**
USPC **D14/345**; D14/341; D14/138 AB

(58) **Field of Classification Search**
USPC D14/203.4, 341, 345, 346, 138 AD,
D14/138 R, 138 G, 138 AC, 138 C, 248,
(Continued)

(56) **References Cited**

U.S. PATENT DOCUMENTS

D406,468 S * 3/1999 Byers D6/301
D477,634 S * 7/2003 Malone D19/26
(Continued)

FOREIGN PATENT DOCUMENTS

KR 30-0510567 10/2008
KR 30-0638510 3/2012
KR 30-0725694 1/2014

OTHER PUBLICATIONS

Youm Flexible OLED Display Commercial: Samsung CES 2013,
Jan. 9, 2013, [online], [site visited Jan. 31, 2017]. Retrieved from
<url:https://www.youtube.com/watch?v=6OYTyl3ipgk>.*

Primary Examiner — Jeffrey D Asch

Assistant Examiner — Tracey J Bell

(74) *Attorney, Agent, or Firm* — Ladas & Parry LLP

(57) **CLAIM**

We claim the ornamental design for a portable electronic device, as shown and described.

DESCRIPTION

FIG. 1 is a perspective view of a portable electronic device showing our new design in a folded position;

FIG. 2 is a front elevational view thereof;

FIG. 3 is a rear elevational view thereof;

FIG. 4 is a left side elevational view thereof;

FIG. 5 is a right side elevational view thereof;

FIG. 6 is a top plan view thereof;

FIG. 7 is a bottom plan view thereof;

FIG. 8 is a perspective view of the portable electronic device showing our new design in an unfolded position;

FIG. 9 is a front elevational view thereof in an unfolded position;

FIG. 10 is a rear elevational view thereof in an unfolded position;

FIG. 11 is a left side elevational view thereof in an unfolded position;

FIG. 12 is a right side elevational view thereof in an unfolded position;

FIG. 13 is a top plan view thereof in an unfolded position;

FIG. 14 is a bottom plan view thereof in an unfolded position;

FIG. 15 is an enlarged view of FIG. 4;

FIG. 16 is an enlarged view of the portion marked as 16 in FIG. 4;

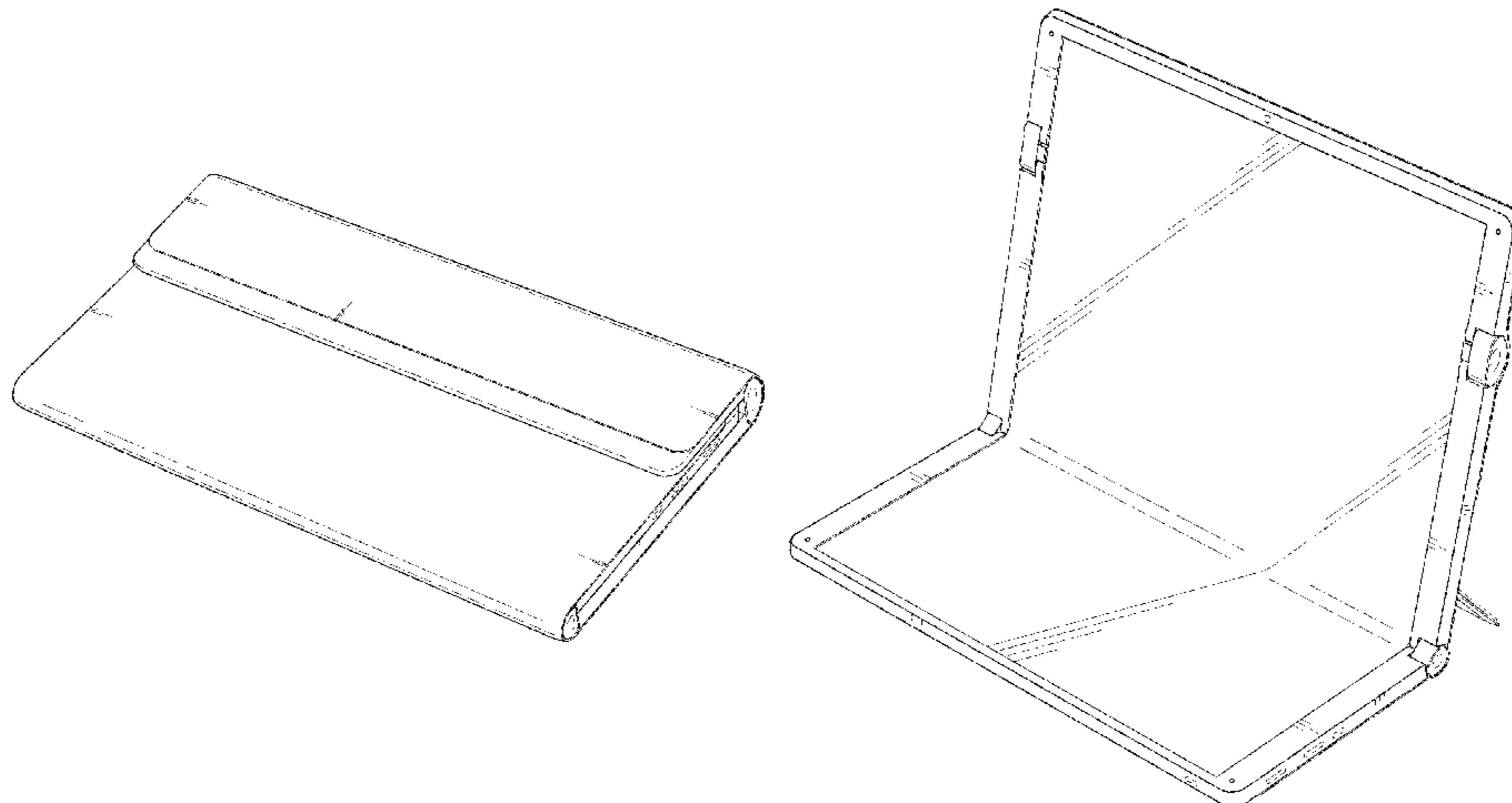
FIG. 17 is an enlarged view of the portion marked as 17 in FIG. 11;

FIG. 18 is a perspective view of the portable electronic device showing our new design in a partially folded position; and,

FIG. 19 is a rear perspective view of FIG. 18.

The even length dashed broken lines in the figures illustrate portions of the portable electronic device that are not included in the claimed design. The uneven length dot-dash broken lines in the FIGS. 4, 11, 16, and 17 encircle portions of the claimed design that are illustrated in enlarged views. The broken lines form no part of the claimed design.

1 Claim, 19 Drawing Sheets



(58) **Field of Classification Search**
 USPC D14/203.7, 496, 315-318, 330, 342, 250,
 D14/138 AB; 361/676.27; D19/26
 CPC G06F 1/1626; G06F 1/1652; H04M 1/027;
 H04M 1/0202; H04M 1/0279; H04M
 1/0235; H04M 1/0237; H04M 1/0239;
 H04M 1/0266; H04M 1/0268; H04M
 1/0295; B42D 3/00
 See application file for complete search history.

(56) **References Cited**

U.S. PATENT DOCUMENTS

D544,922 S * 6/2007 Shaffer D20/10
 8,738,101 B1 * 5/2014 Myr H04M 1/0214
 379/330
 D708,175 S * 7/2014 Oakley D14/315
 D719,542 S * 12/2014 Lee D14/138 AB
 8,971,029 B2 * 3/2015 Wong G06F 1/1641
 292/341.17

9,013,368 B1 * 4/2015 Kim G06F 3/1446
 345/1.1
 9,077,792 B1 * 7/2015 Alhaidar H04M 1/0266
 D745,006 S * 12/2015 Hirakata D14/341
 D745,516 S * 12/2015 Yamazaki D14/341
 D749,573 S * 2/2016 Park D14/203.4
 D749,574 S * 2/2016 Park D14/203.4
 D750,064 S * 2/2016 Yamazaki D14/341
 D754,657 S * 4/2016 Kim D14/345
 D760,219 S * 6/2016 Yamazaki D14/341
 9,377,817 B2 * 6/2016 Eguchi G06F 1/1652
 D761,254 S * 7/2016 Yamazaki D14/341
 9,424,790 B2 * 8/2016 Cho G06F 1/3265
 9,430,184 B2 * 8/2016 Cho G06F 1/1652
 D765,663 S * 9/2016 Shih D14/440
 D766,891 S * 9/2016 Hong D14/341
 D767,530 S * 9/2016 Bae D14/203.3
 D768,624 S * 10/2016 Bae D14/331
 D770,445 S * 11/2016 Hong D14/341
 D770,447 S * 11/2016 Endo D14/341

* cited by examiner

FIG. 1

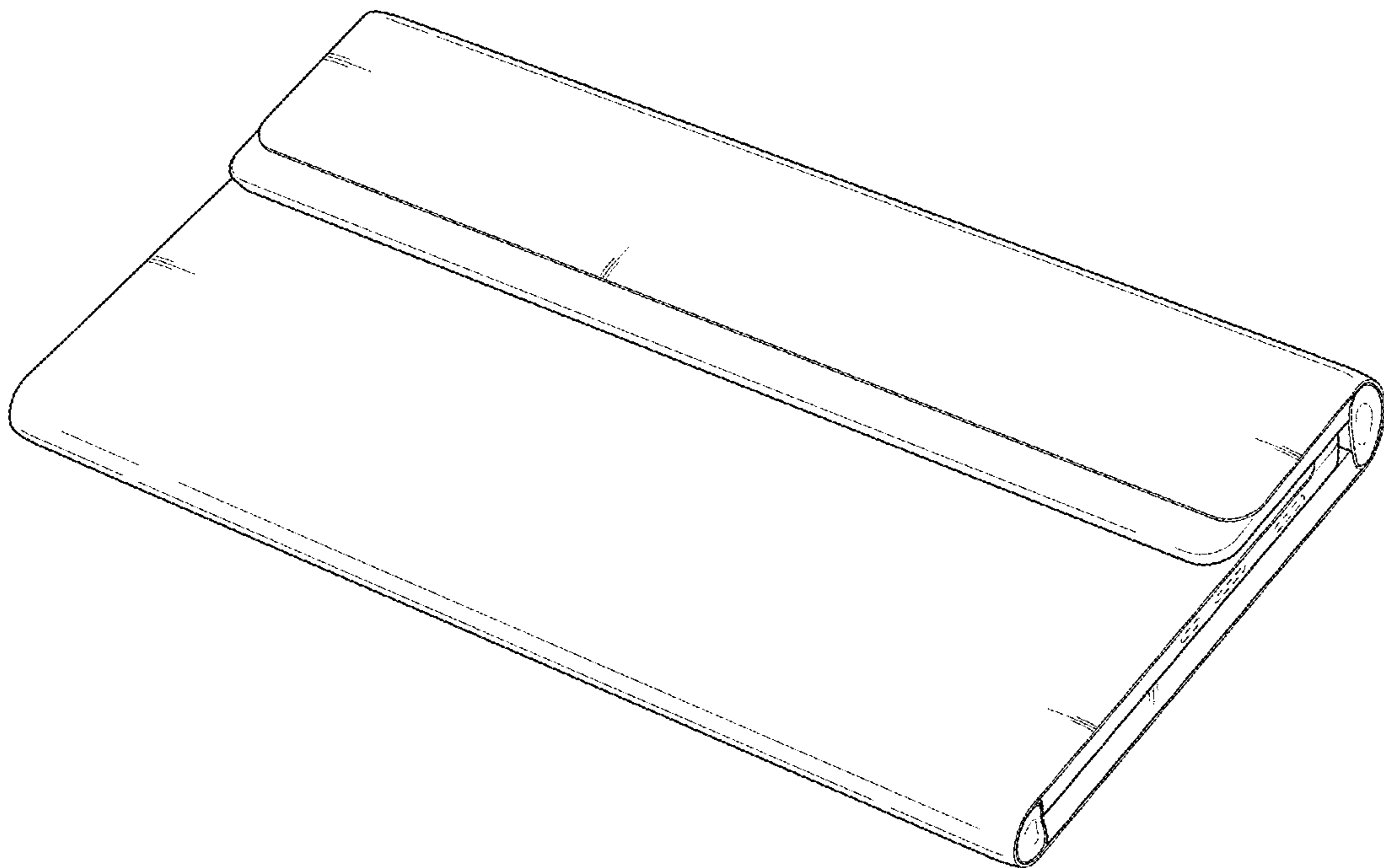


FIG. 2

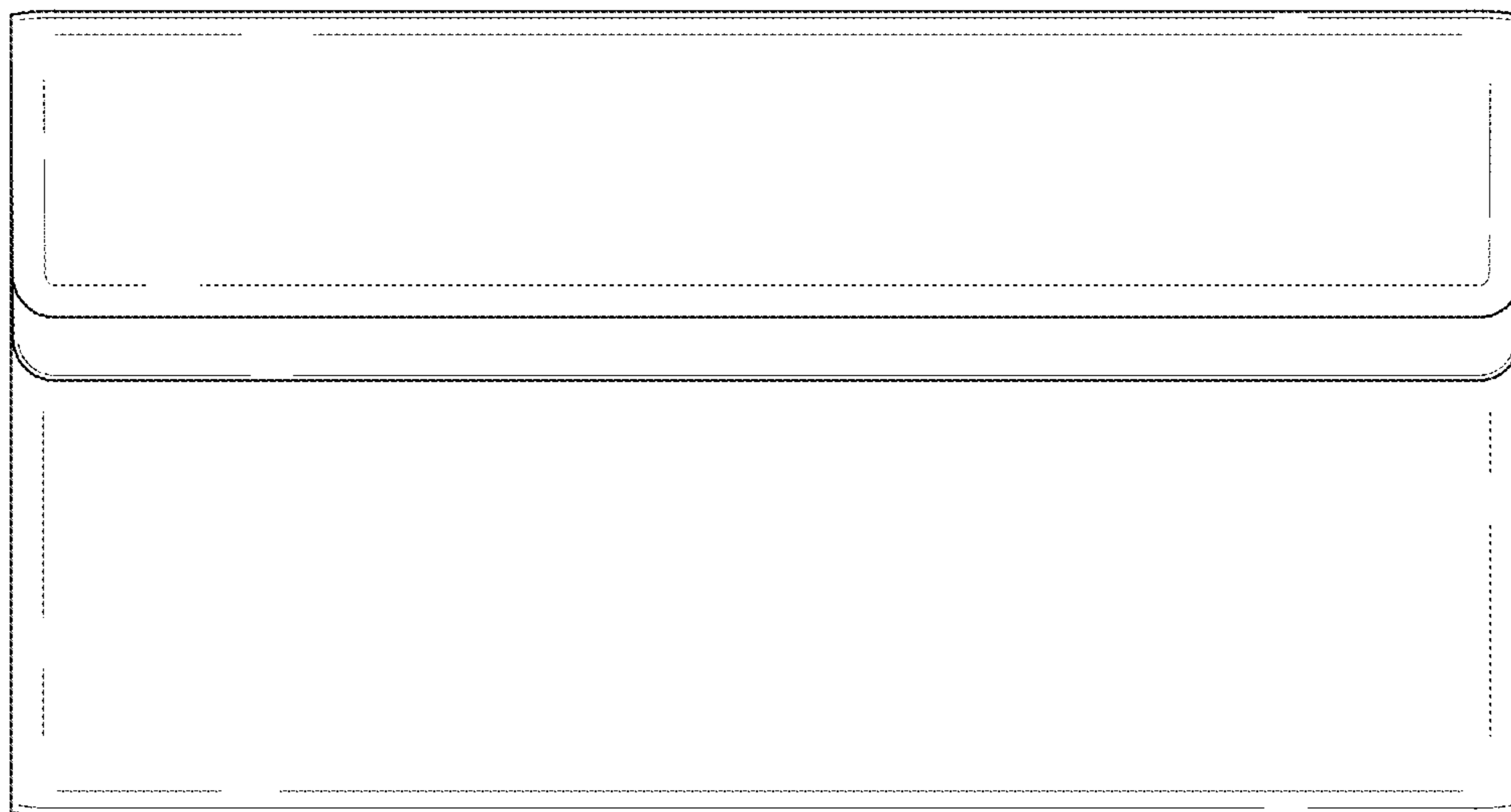


FIG. 3

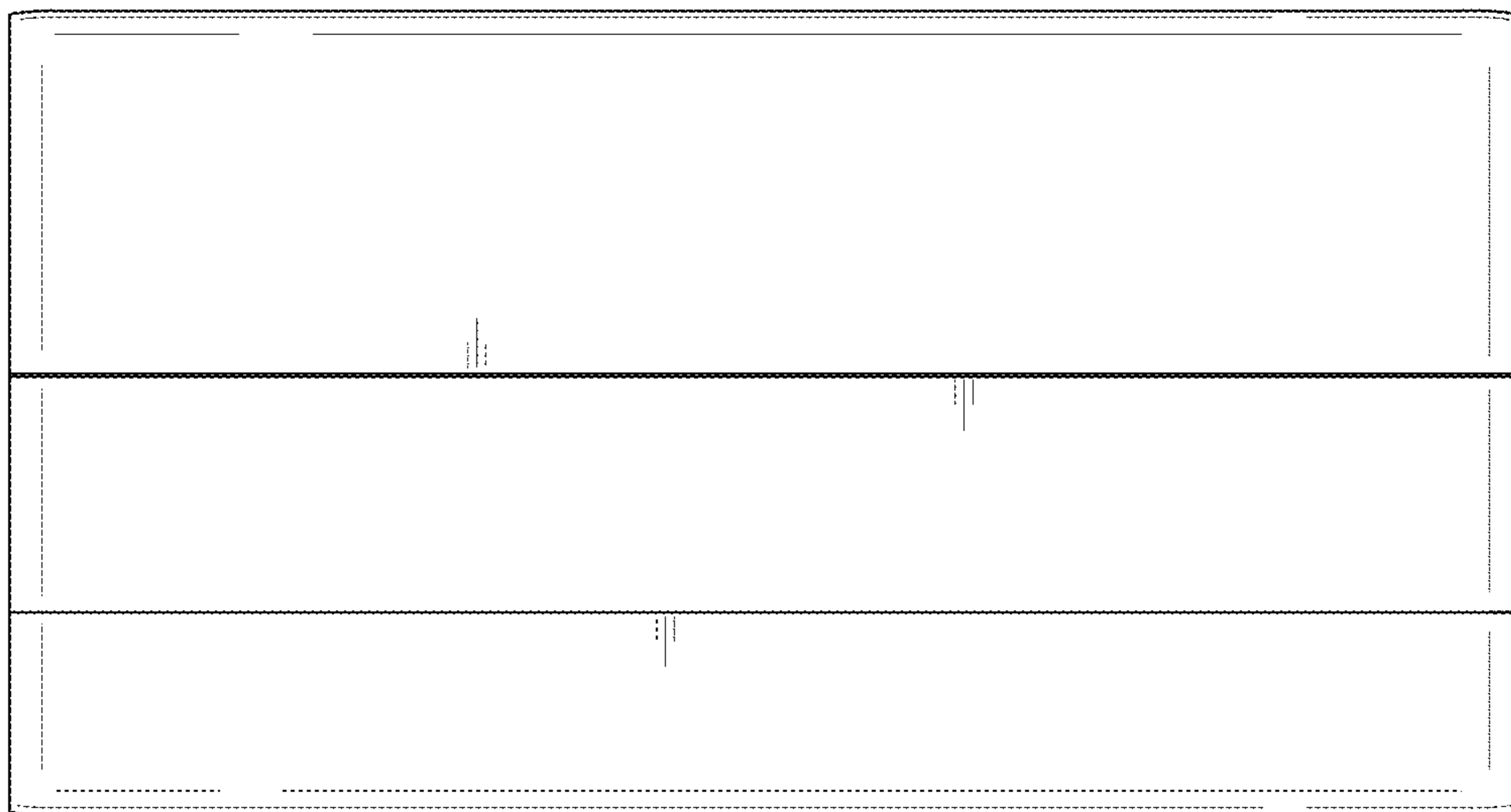


FIG. 4

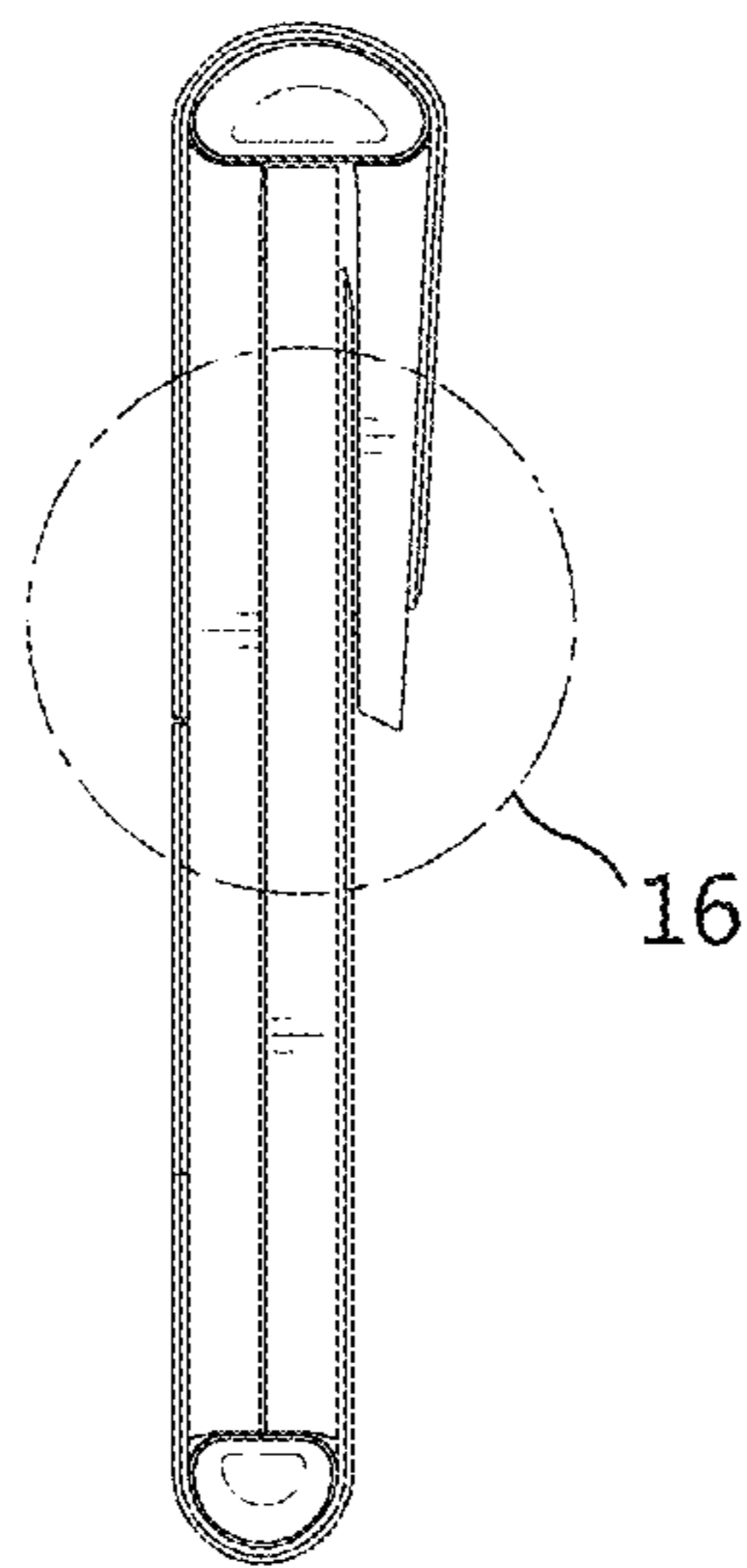


FIG. 5

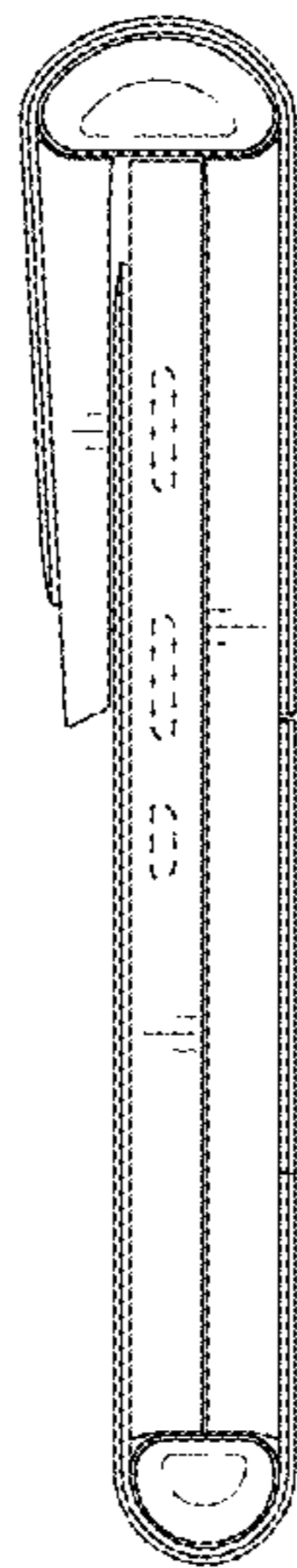


FIG. 6

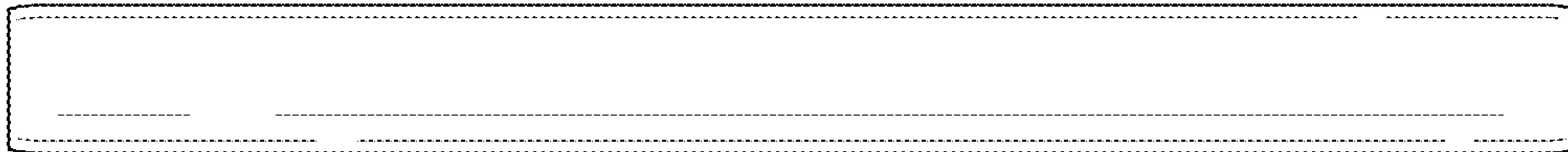


FIG. 7

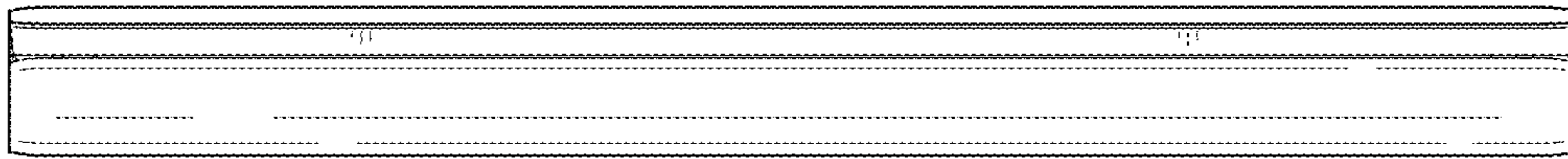


FIG. 8

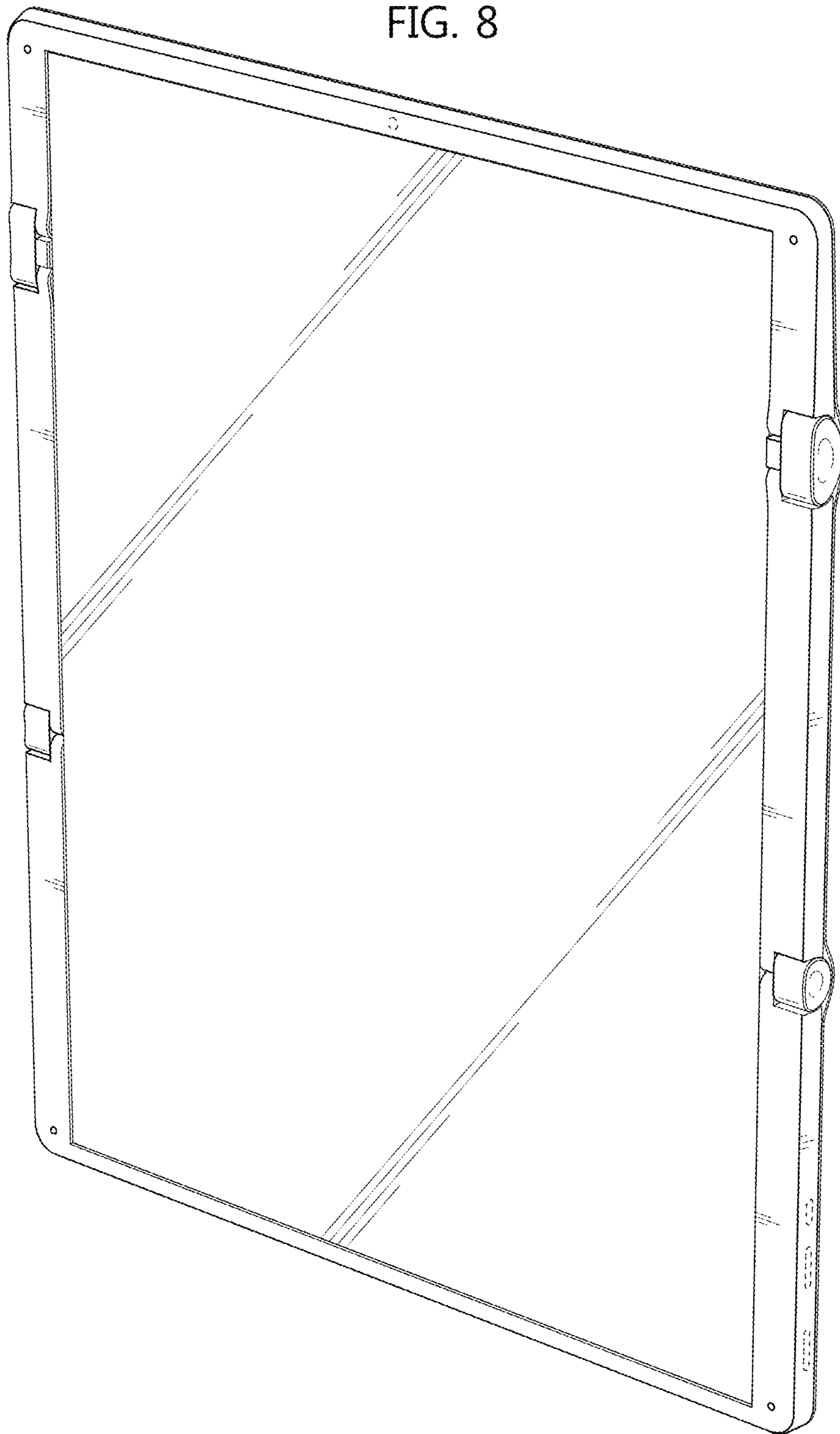


FIG. 9

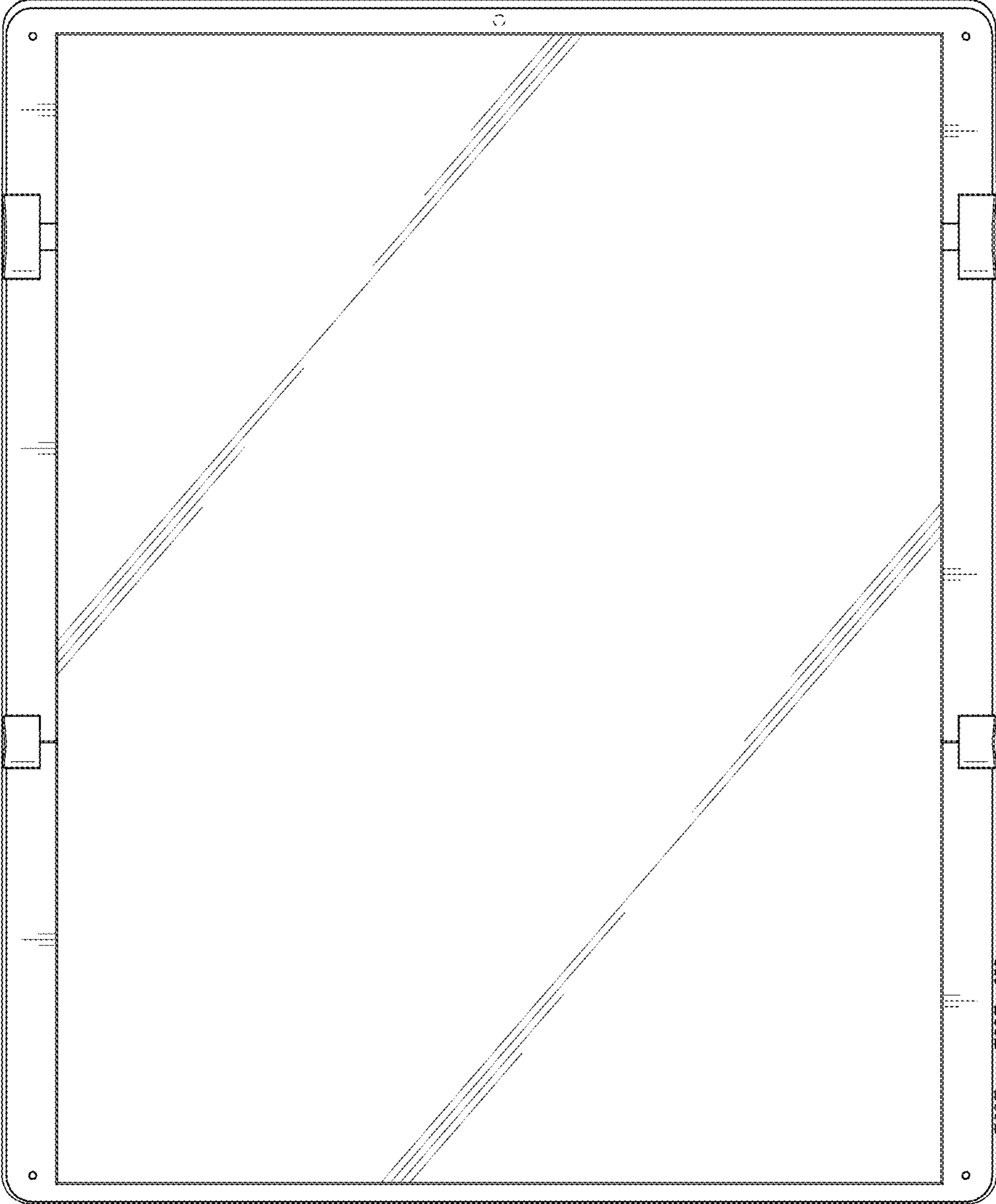


FIG. 10

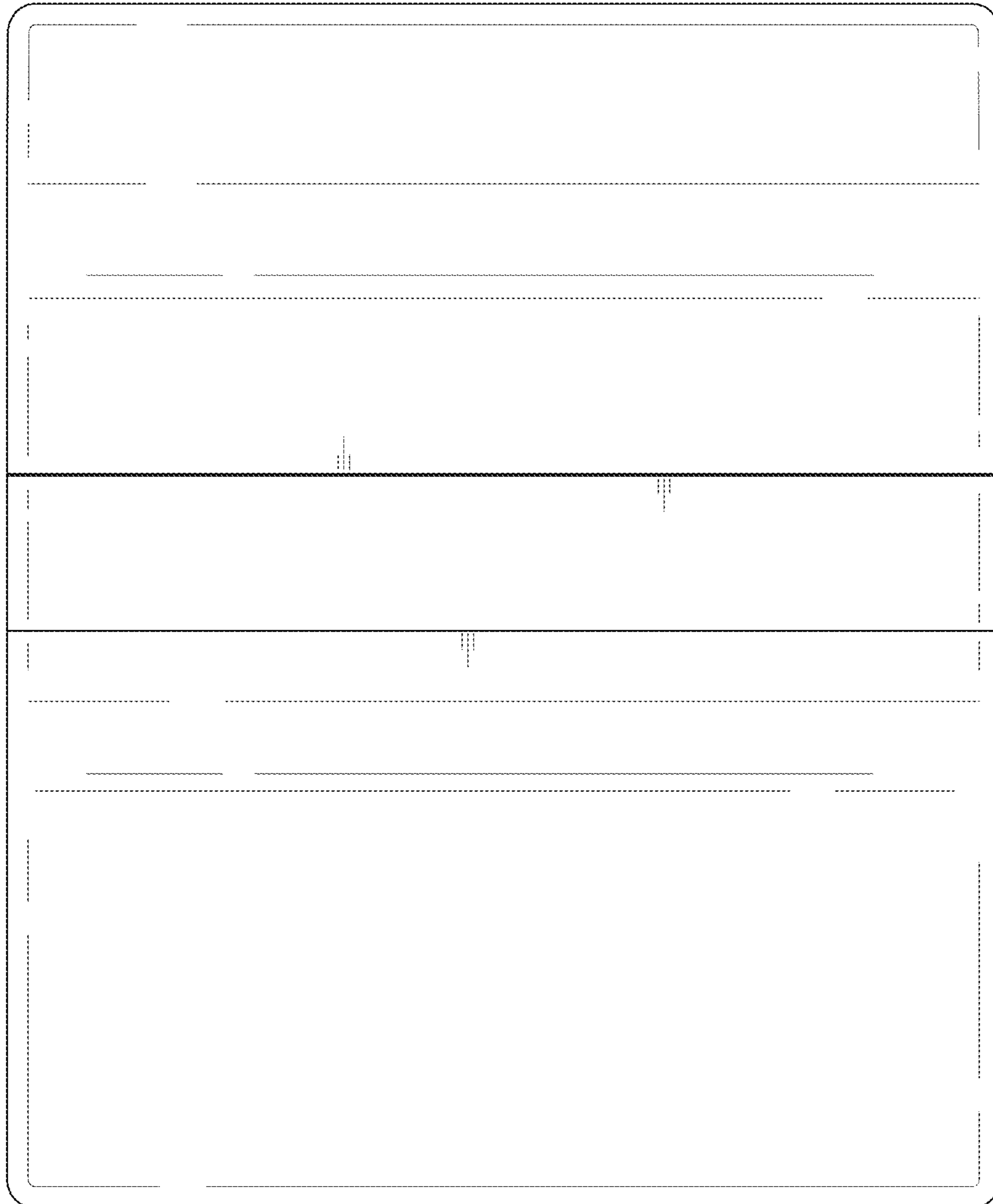


FIG. 11

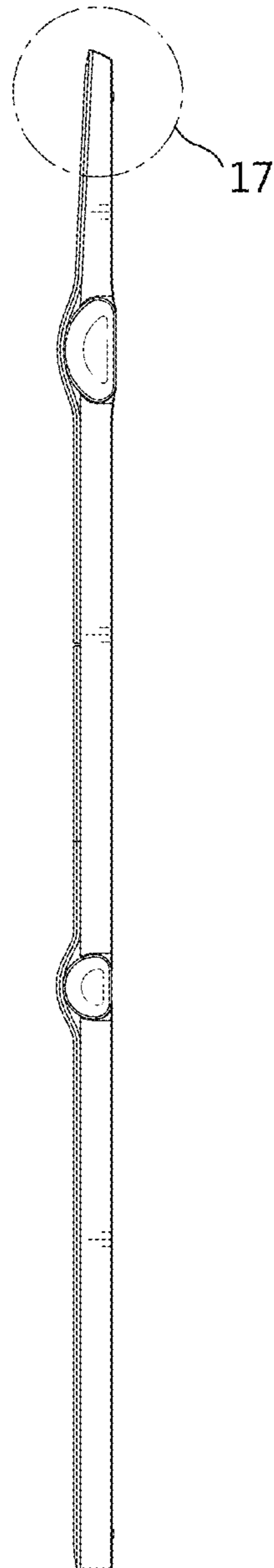


FIG. 12

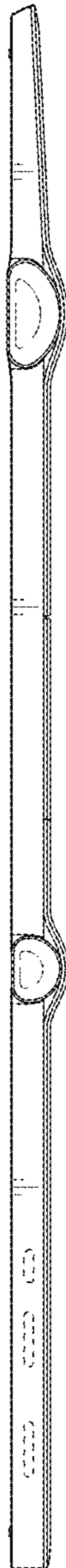


FIG. 13

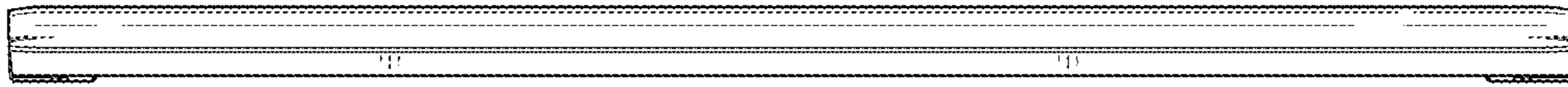


FIG. 14



FIG. 15

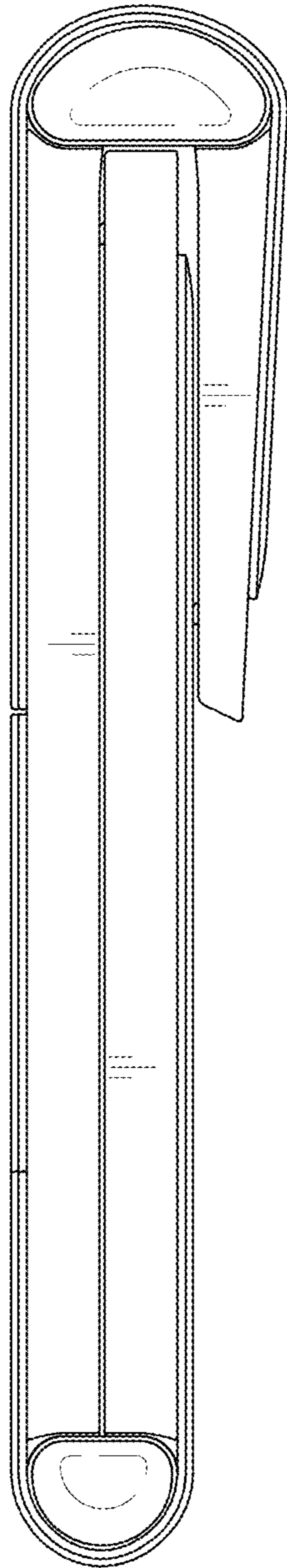


FIG. 16

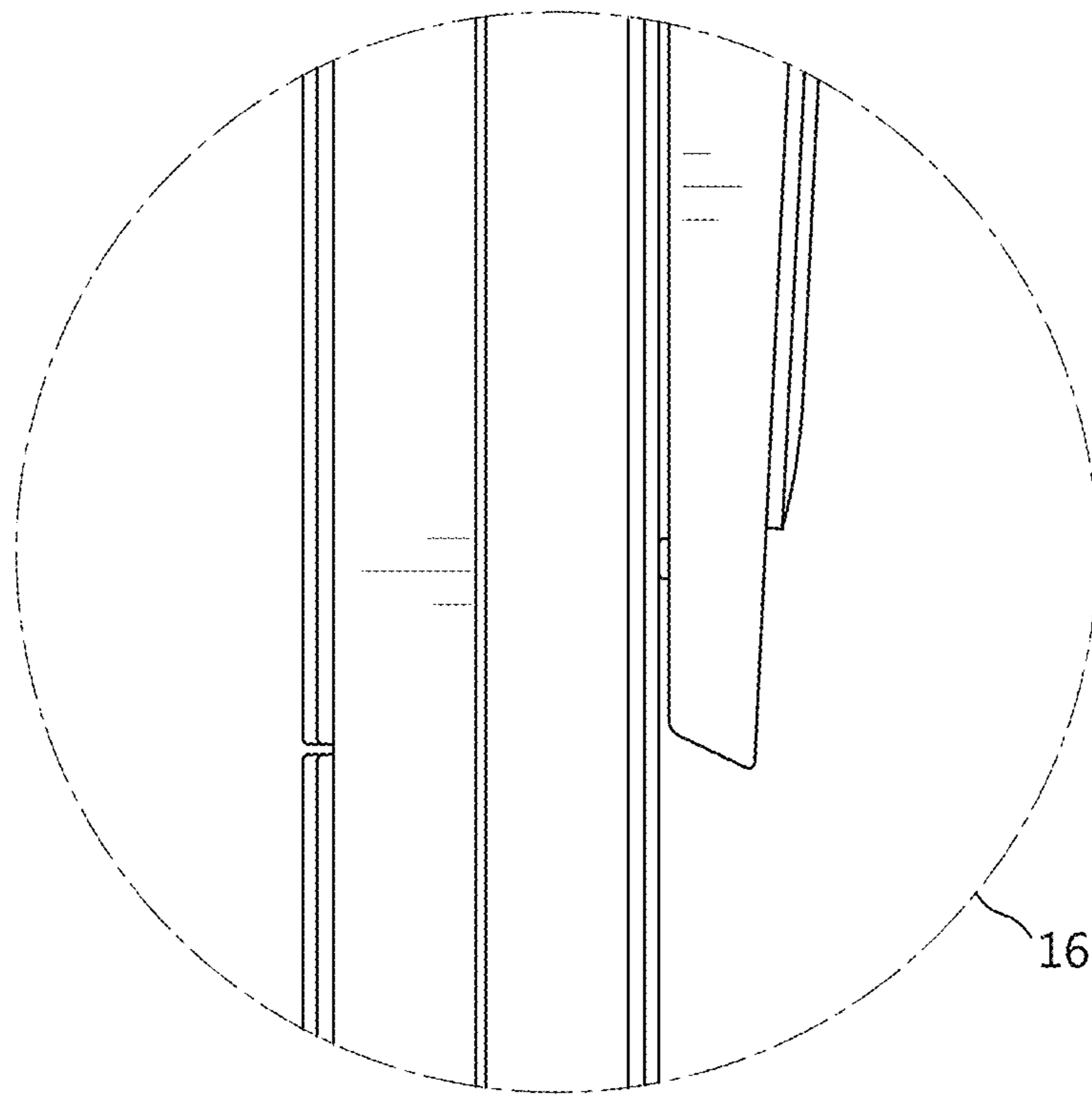


FIG. 17

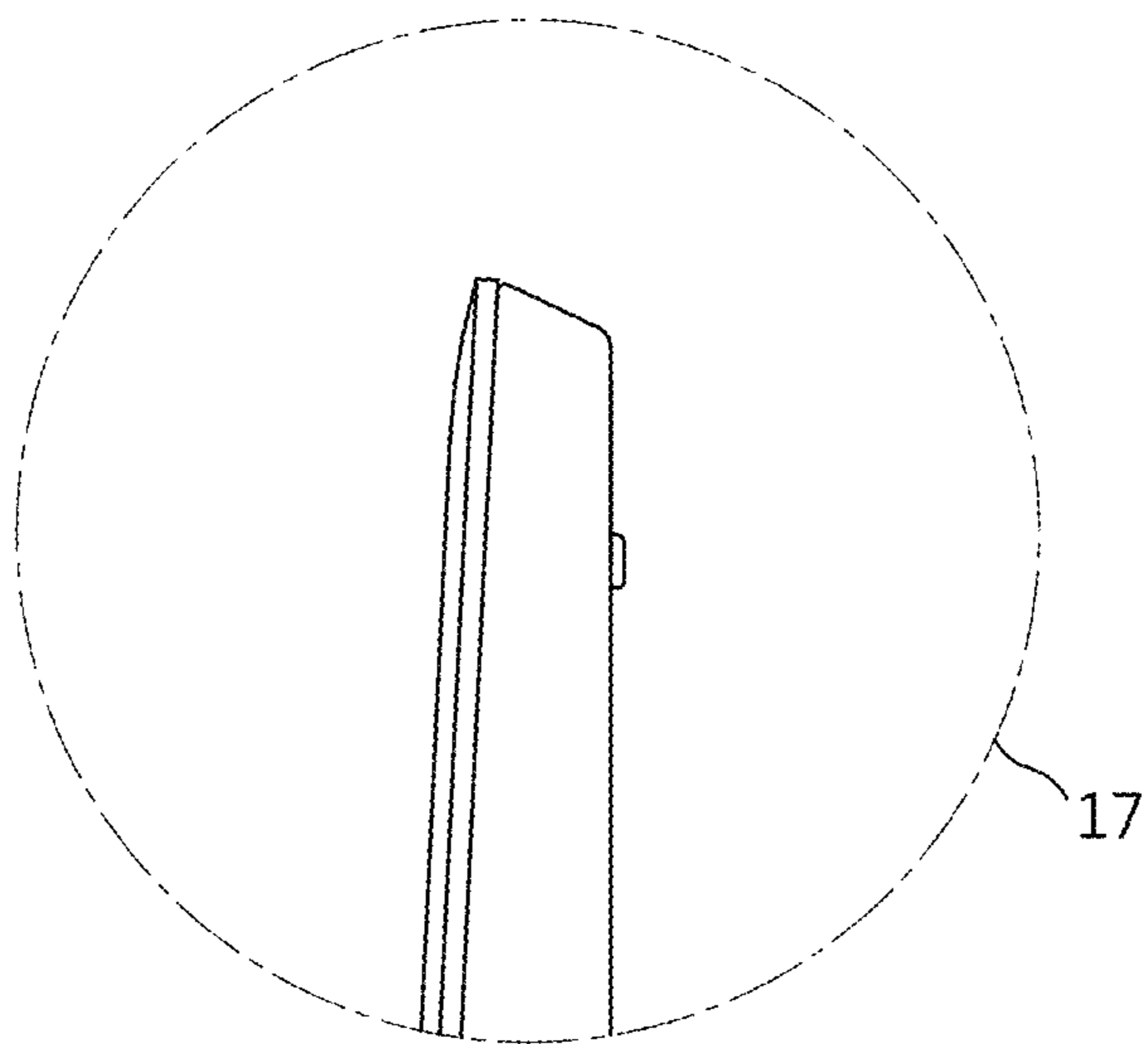


FIG. 18

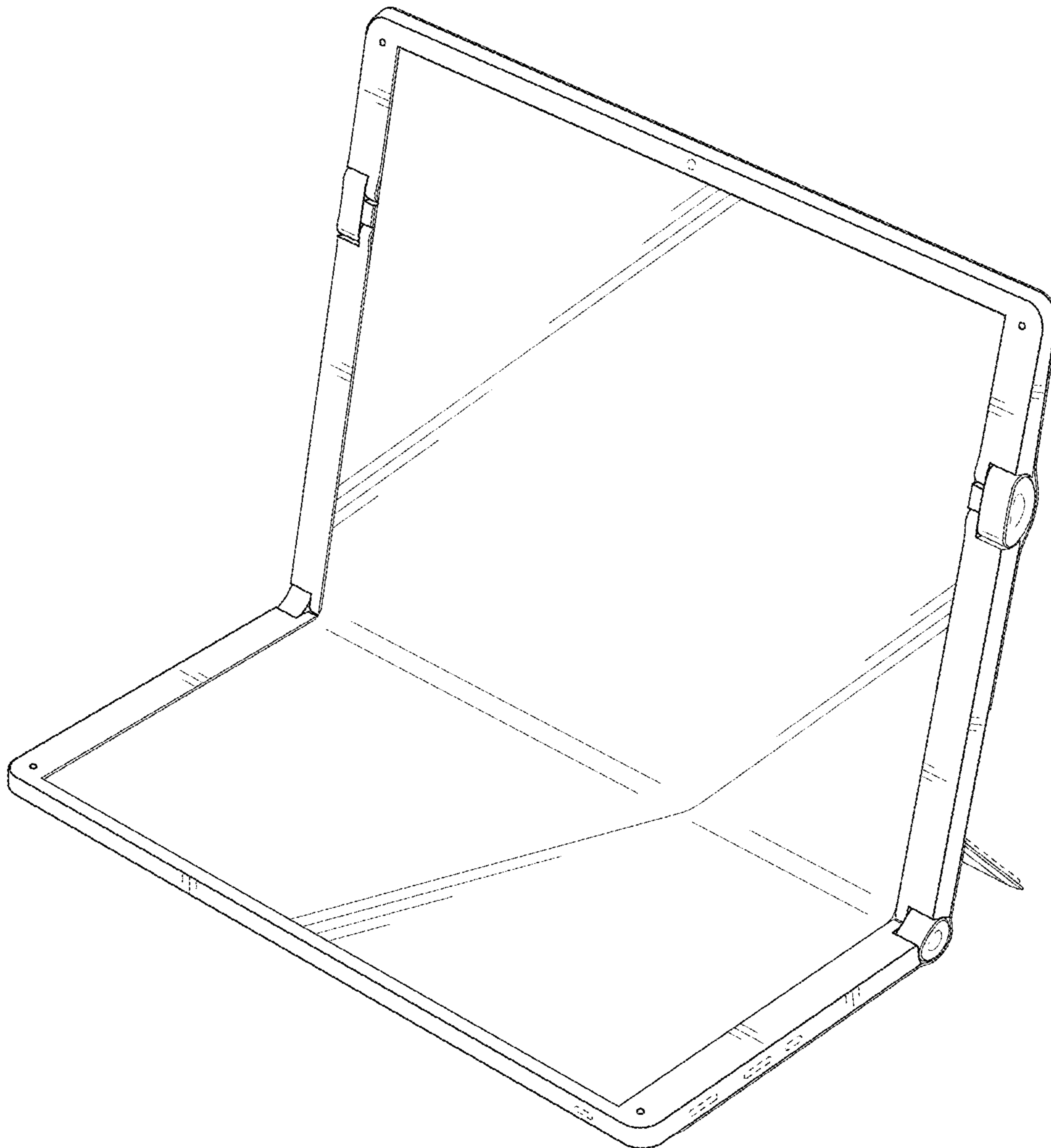


FIG. 19

