

US00D790531S

(12) **United States Design Patent**  
**Magi**

(10) **Patent No.:** **US D790,531 S**  
(45) **Date of Patent:** **\*\* Jun. 27, 2017**

- (54) **CONVERTIBLE LAPTOP WITH FLEXIBLE DISPLAY**
- (71) Applicant: **Intel Corporation**, Santa Clara, CA (US)
- (72) Inventor: **Aleksander Magi**, Aloha, OR (US)
- (73) Assignee: **Intel Corporation**, Santa Clara, CA (US)
- (\*\*) Term: **15 Years**
- (21) Appl. No.: **29/540,686**
- (22) Filed: **Sep. 25, 2015**
- (51) **LOC (10) Cl.** ..... **14-02**
- (52) **U.S. Cl.**  
USPC ..... **D14/315**
- (58) **Field of Classification Search**  
USPC ..... D14/315-327; D18/1, 2, 7, 11; 235/145 A, 145 R; 341/22, 23; 345/104, 345/156, 168, 169, 173; 361/679.08, 361/679.09, 679.11, 679.26, 679.27  
CPC ..... G06F 1/16; G06F 1/1616; G06F 1/1626; G06F 1/1632; G06F 1/1613; G06F 1/1601; G06F 1/1618; G06F 1/162; G06F 1/166; G06F 1/1654; G06F 1/1681; G06F 1/1637; G06F 1/1688; H01R 35/02; H03M 11/00; G09B 13/04; H03K 17/94; G09G 5/00; F16M 11/10; H05K 5/00; H04M 1/0237  
See application file for complete search history.

- D679,705 S \* 4/2013 McManigal ..... D14/318
- D719,148 S \* 12/2014 Kim ..... D14/315
- D724,077 S \* 3/2015 Hallar ..... D14/327
- D742,871 S \* 11/2015 Schoenith ..... D14/315
- 2003/0112590 A1\* 6/2003 Shimano ..... G06F 1/162  
361/679.06
- 2011/0255727 A1\* 10/2011 Azuchi ..... G06F 1/1616  
381/333

\* cited by examiner

*Primary Examiner* — Freda S Nunn

(74) *Attorney, Agent, or Firm* — Patent Capital Group

(57) **CLAIM**

The ornamental design for a convertible laptop with flexible display, as shown and described.

**DESCRIPTION**

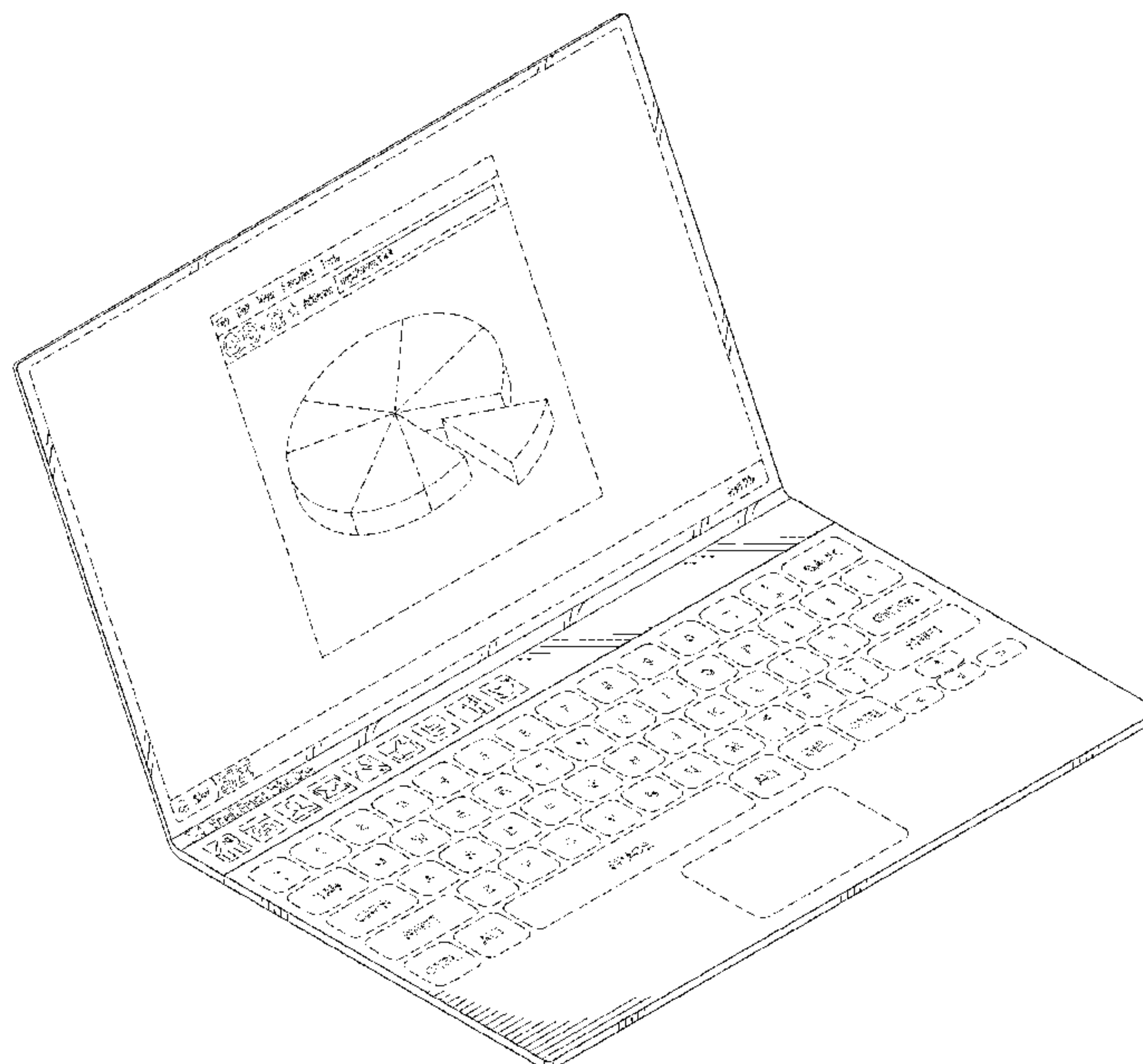
FIG. 1 is a perspective view of a convertible laptop with flexible display shown in a laptop configuration;  
 FIG. 2 is a front view thereof;  
 FIG. 3 is a back view thereof;  
 FIG. 4 is a left side view thereof;  
 FIG. 5 is a right side view thereof;  
 FIG. 6 is a top view thereof;  
 FIG. 7 is a bottom view thereof;  
 FIG. 8 is a perspective view thereof shown in a tablet configuration;  
 FIG. 9 is a front view thereof;  
 FIG. 10 is a back view thereof;  
 FIG. 11 is a left side view thereof;  
 FIG. 12 is a right side view thereof;  
 FIG. 13 is a top view thereof; and,  
 FIG. 14 is a bottom view thereof.

The broken lines shown in the FIGURES represent environment only and form no part of the claimed design. Non-oblique line shading is meant to show contour and not surface ornamentation.

(56) **References Cited**  
U.S. PATENT DOCUMENTS

- D491,177 S \* 6/2004 Andre ..... D14/318
- D601,138 S \* 9/2009 Solomon ..... D14/315

**1 Claim, 12 Drawing Sheets**



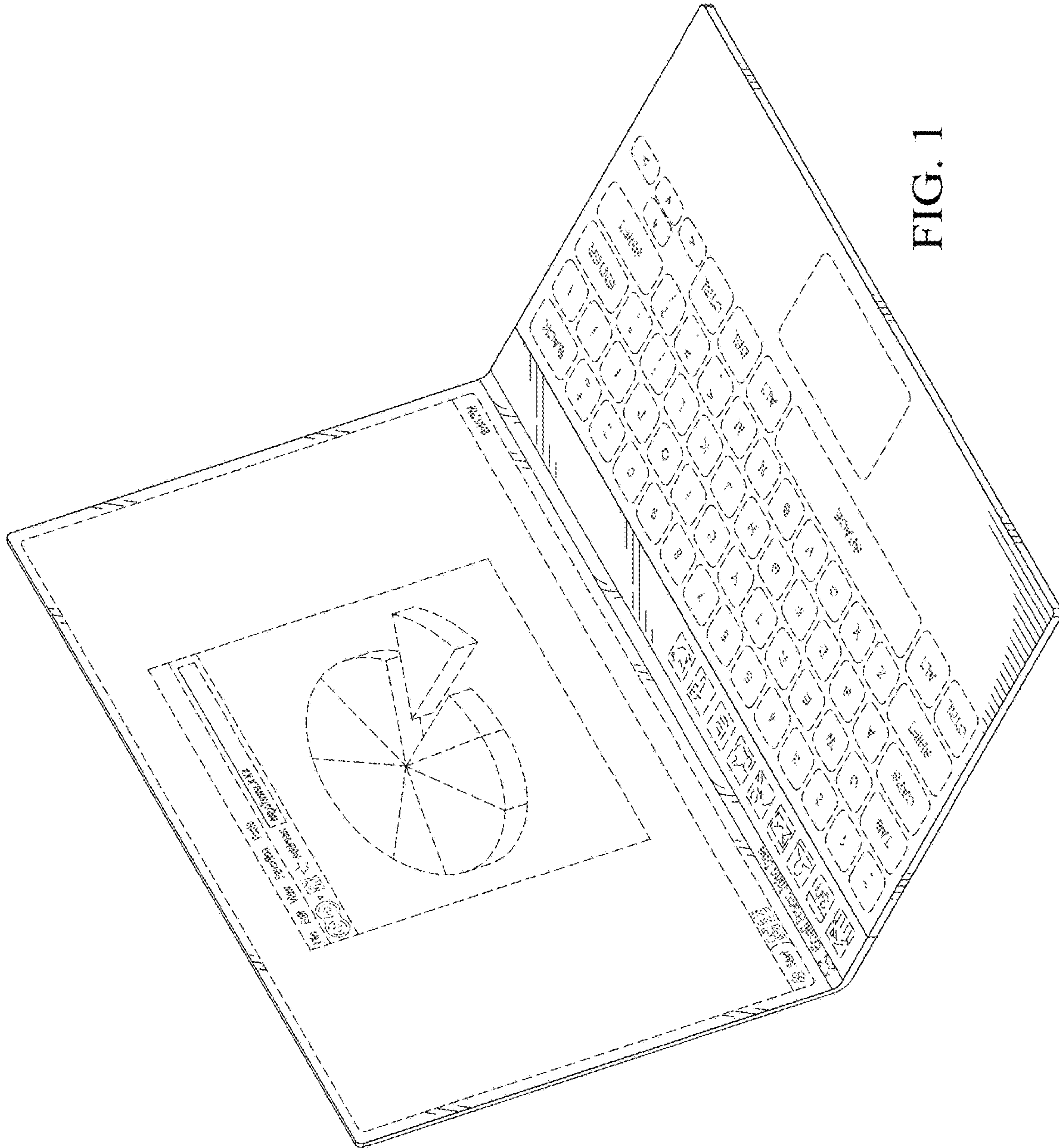


FIG. 1

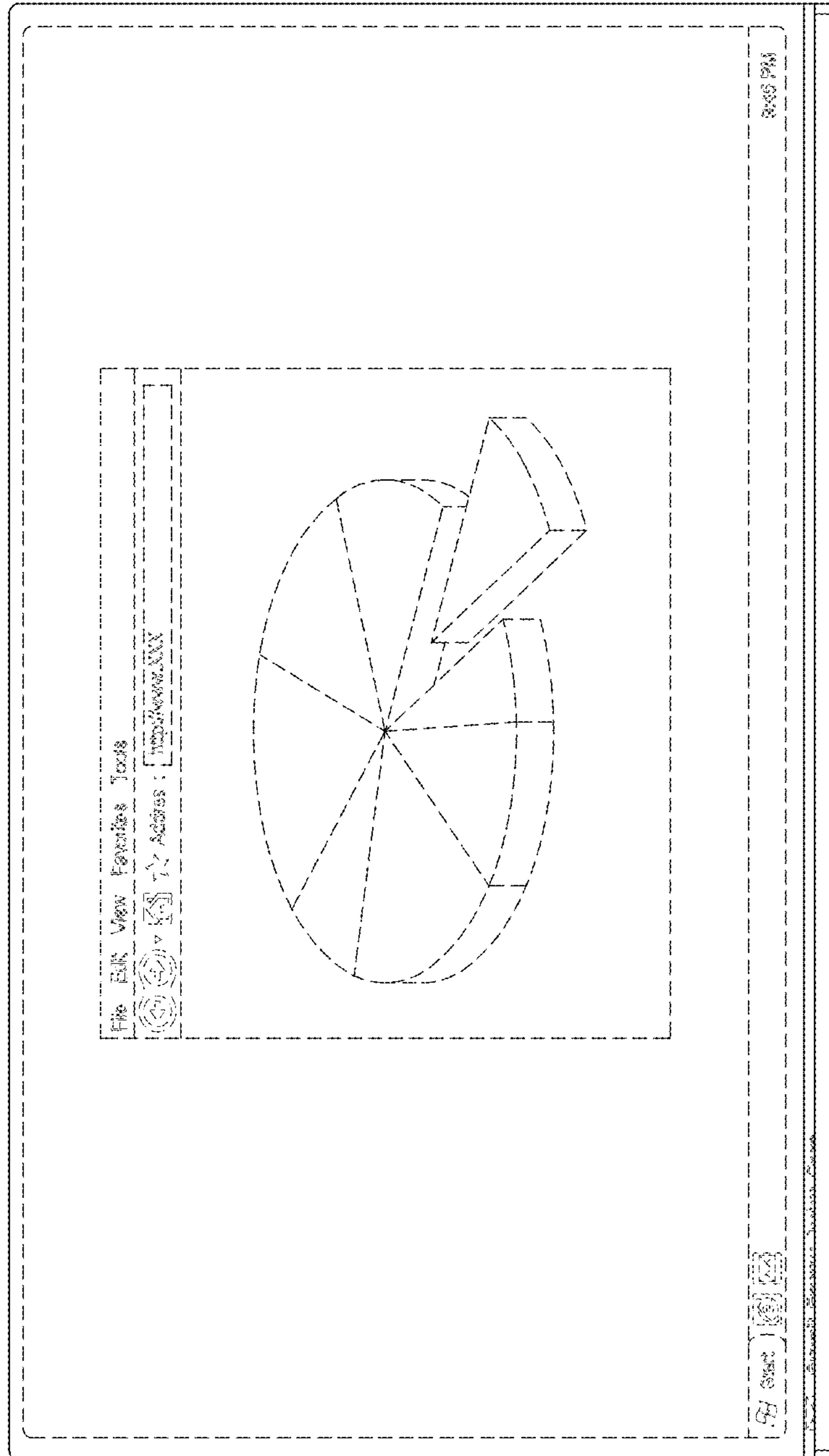


FIG. 2

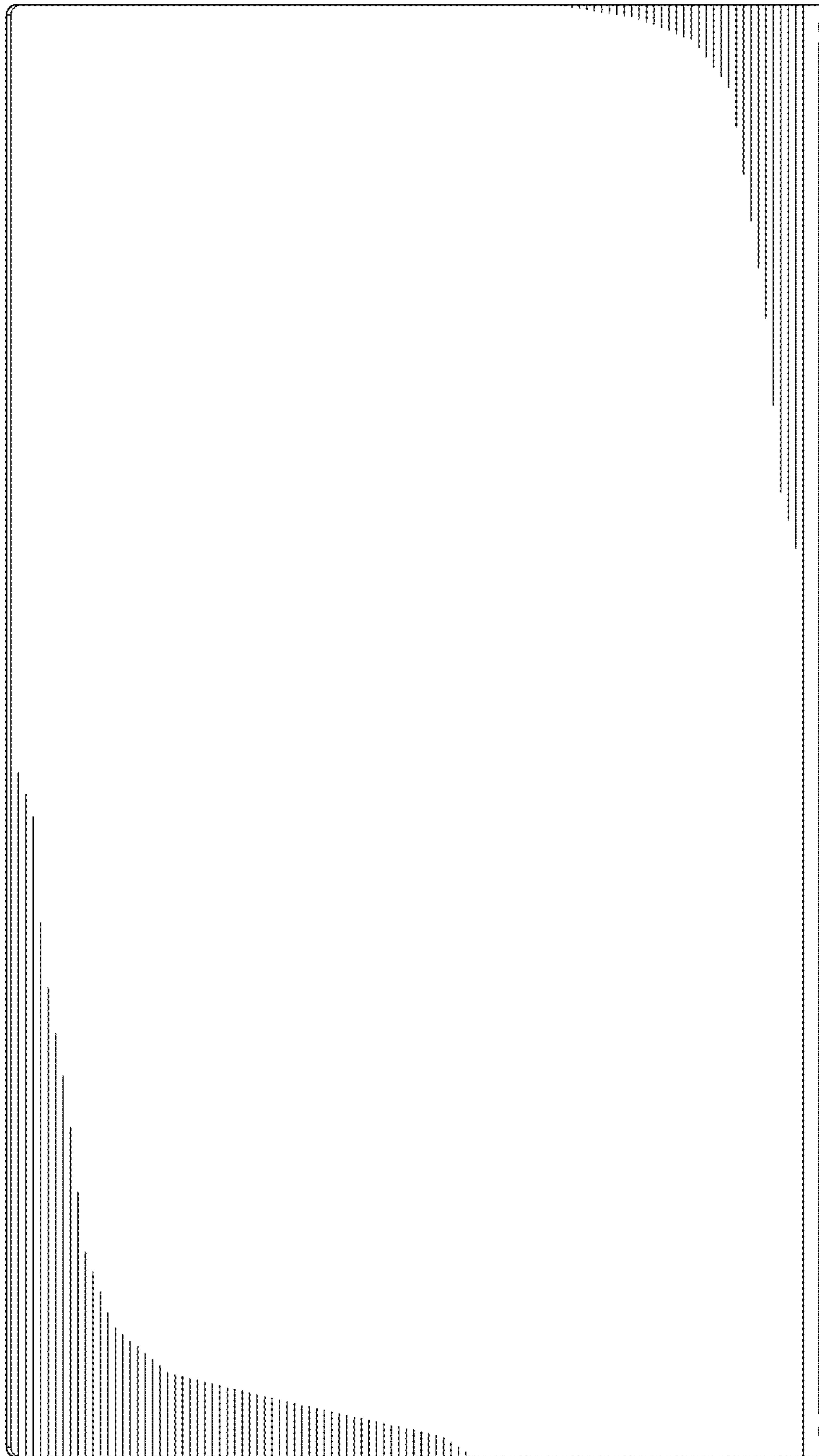


FIG. 3

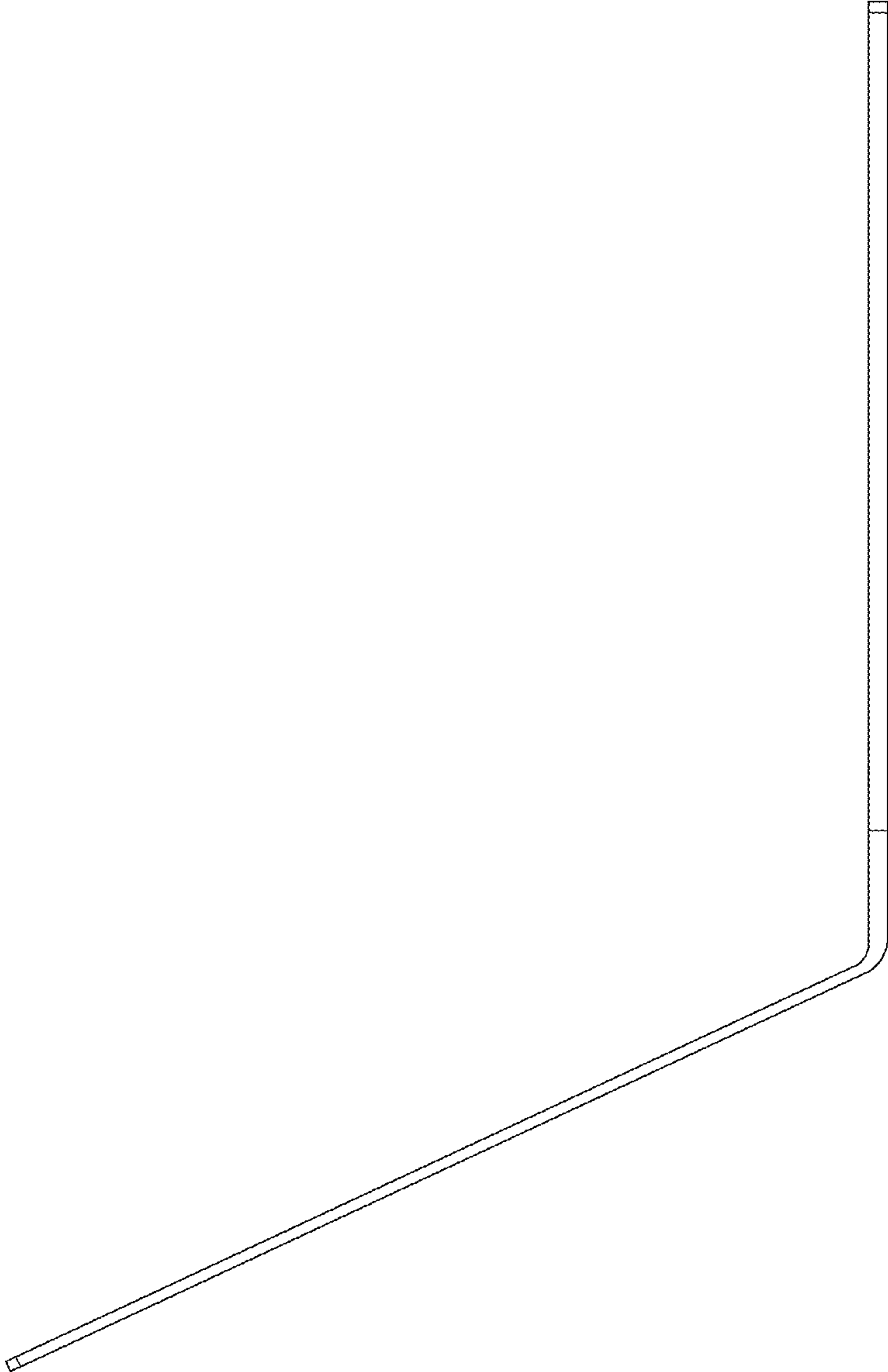


FIG. 4



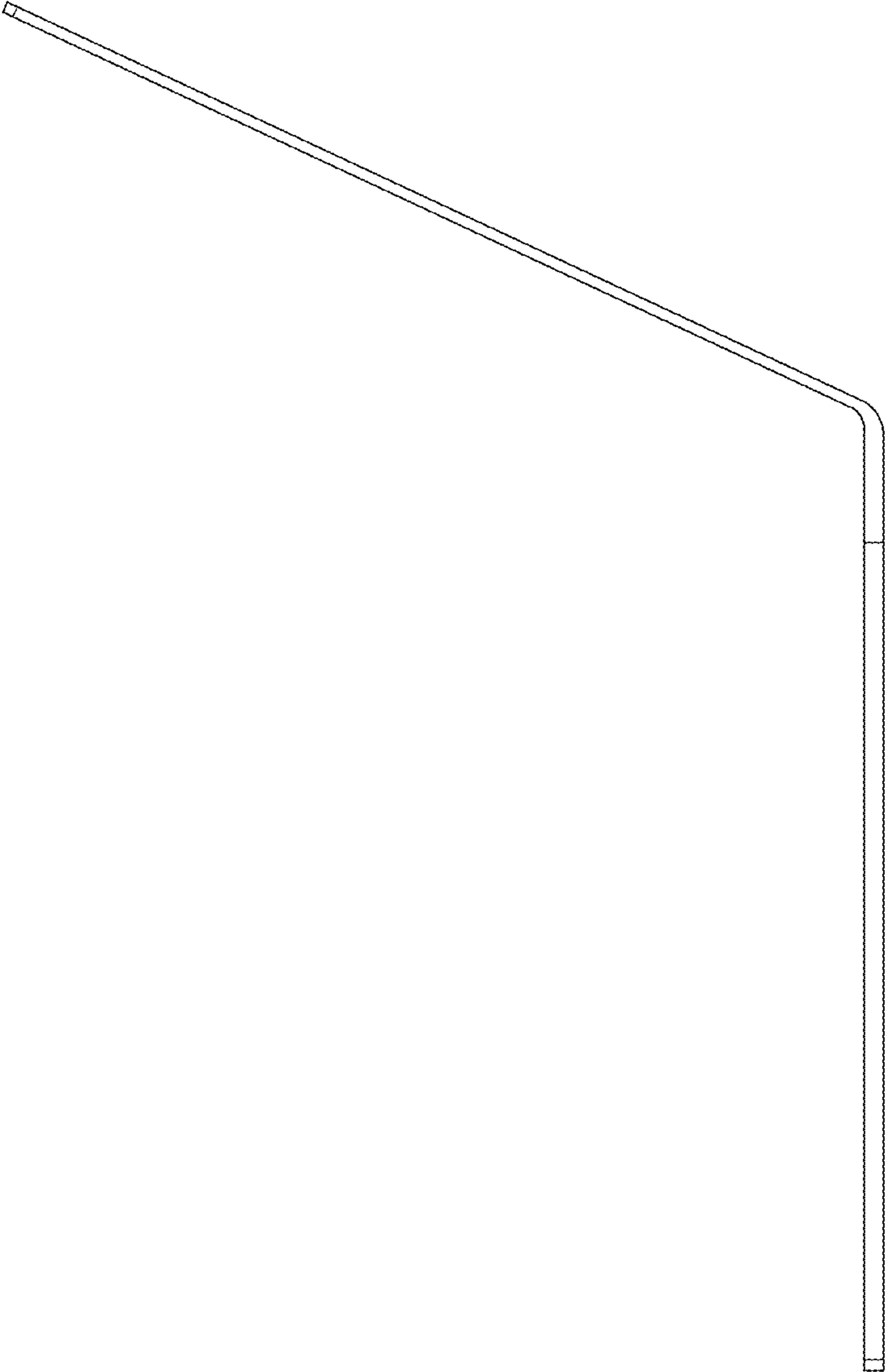


FIG. 5

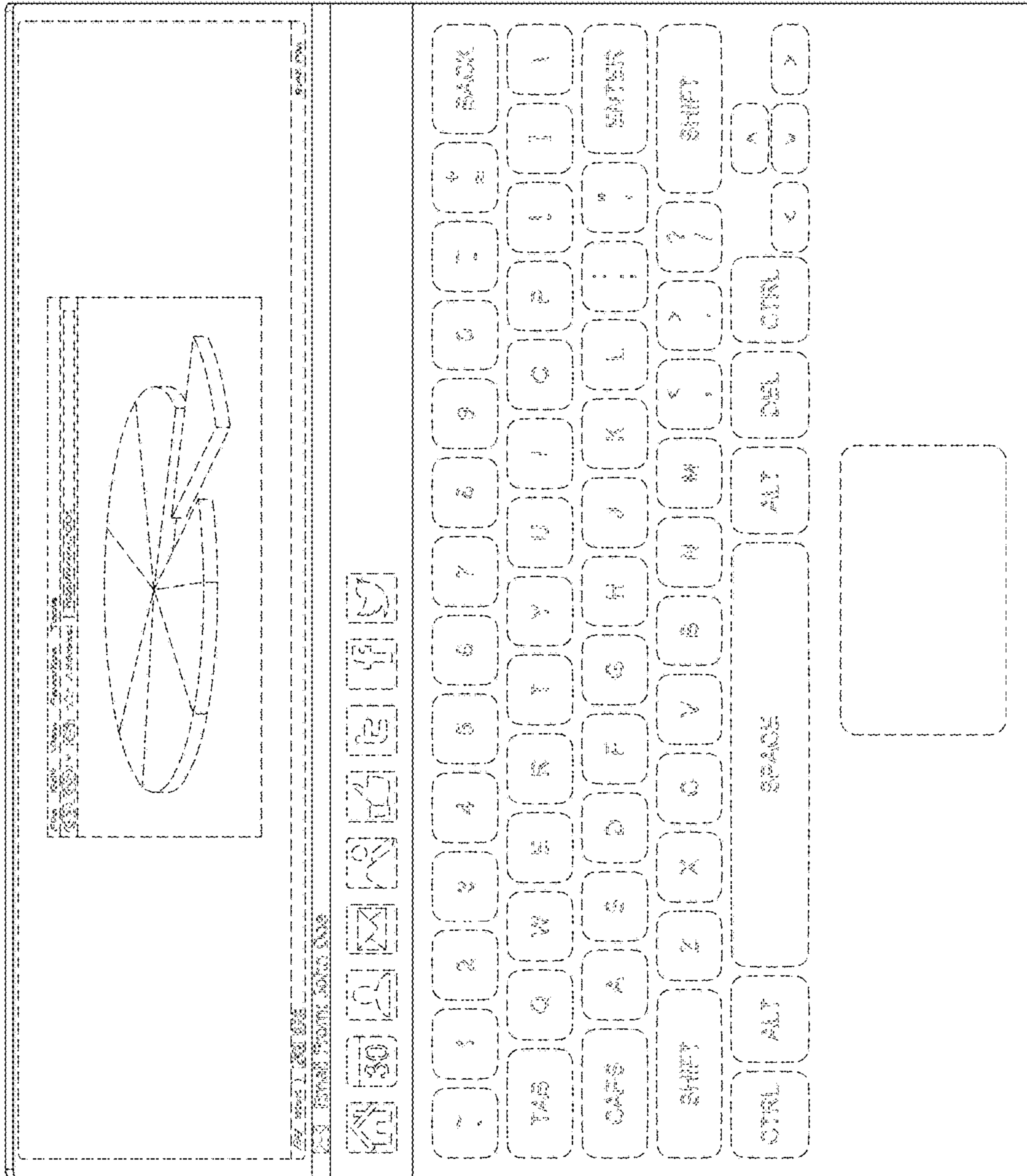


FIG. 6



FIG. 7



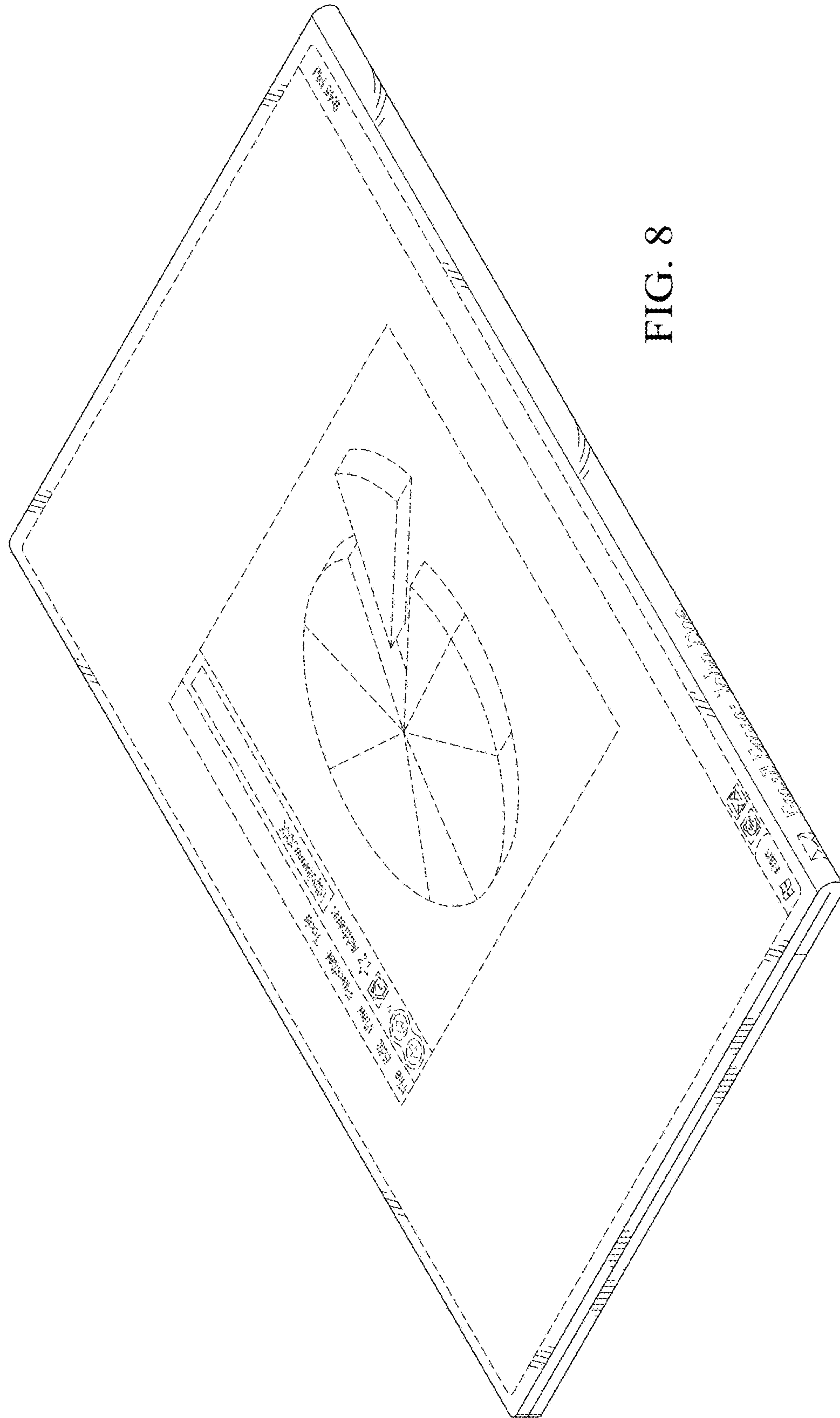


FIG. 8

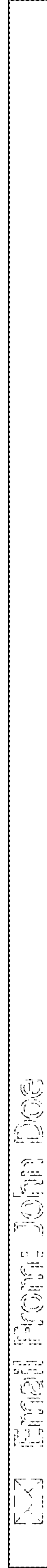


FIG. 9



FIG. 10



FIG. 11

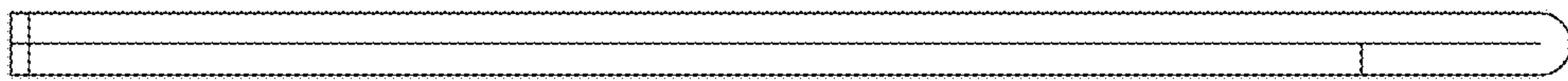


FIG. 12

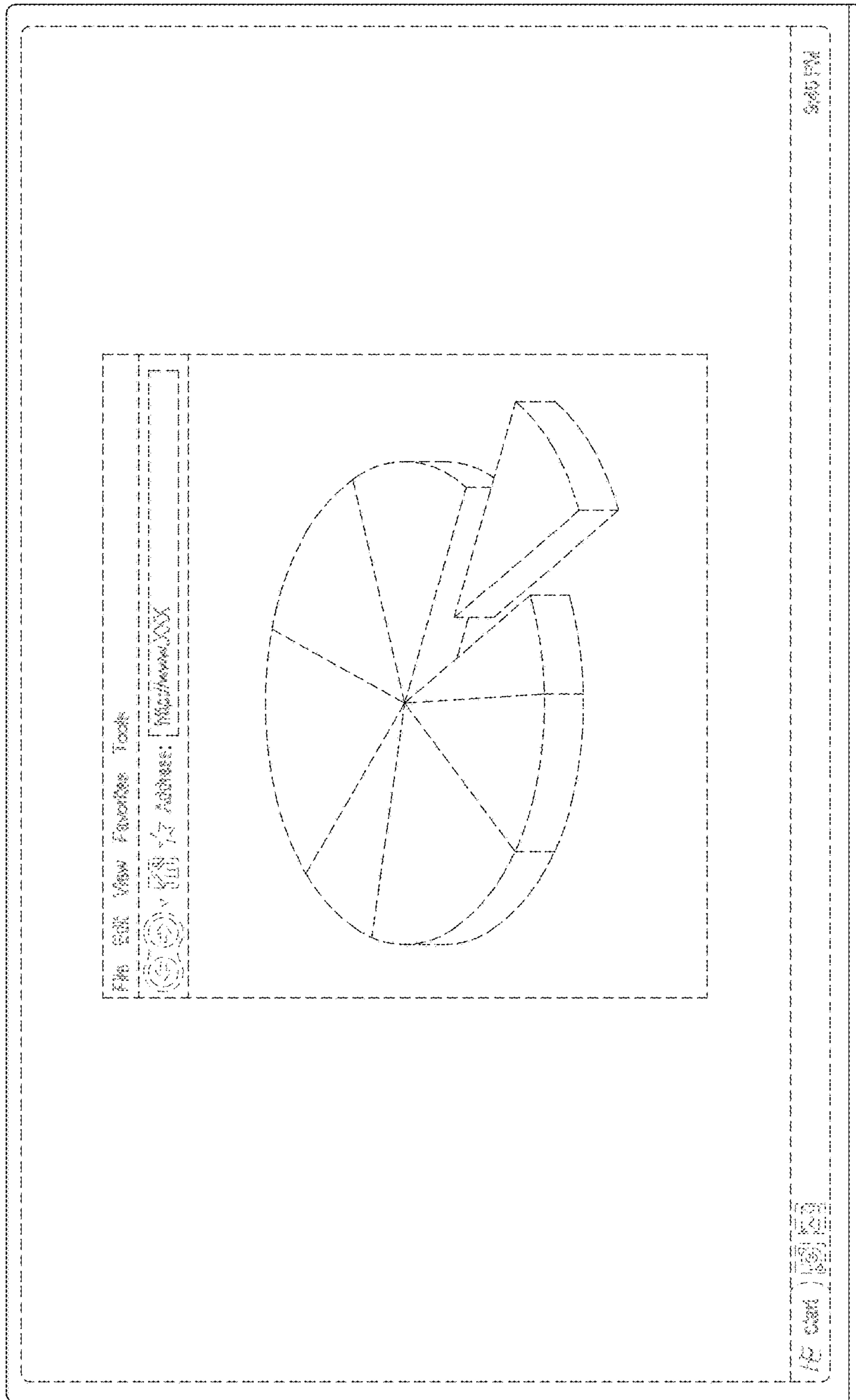


FIG. 13

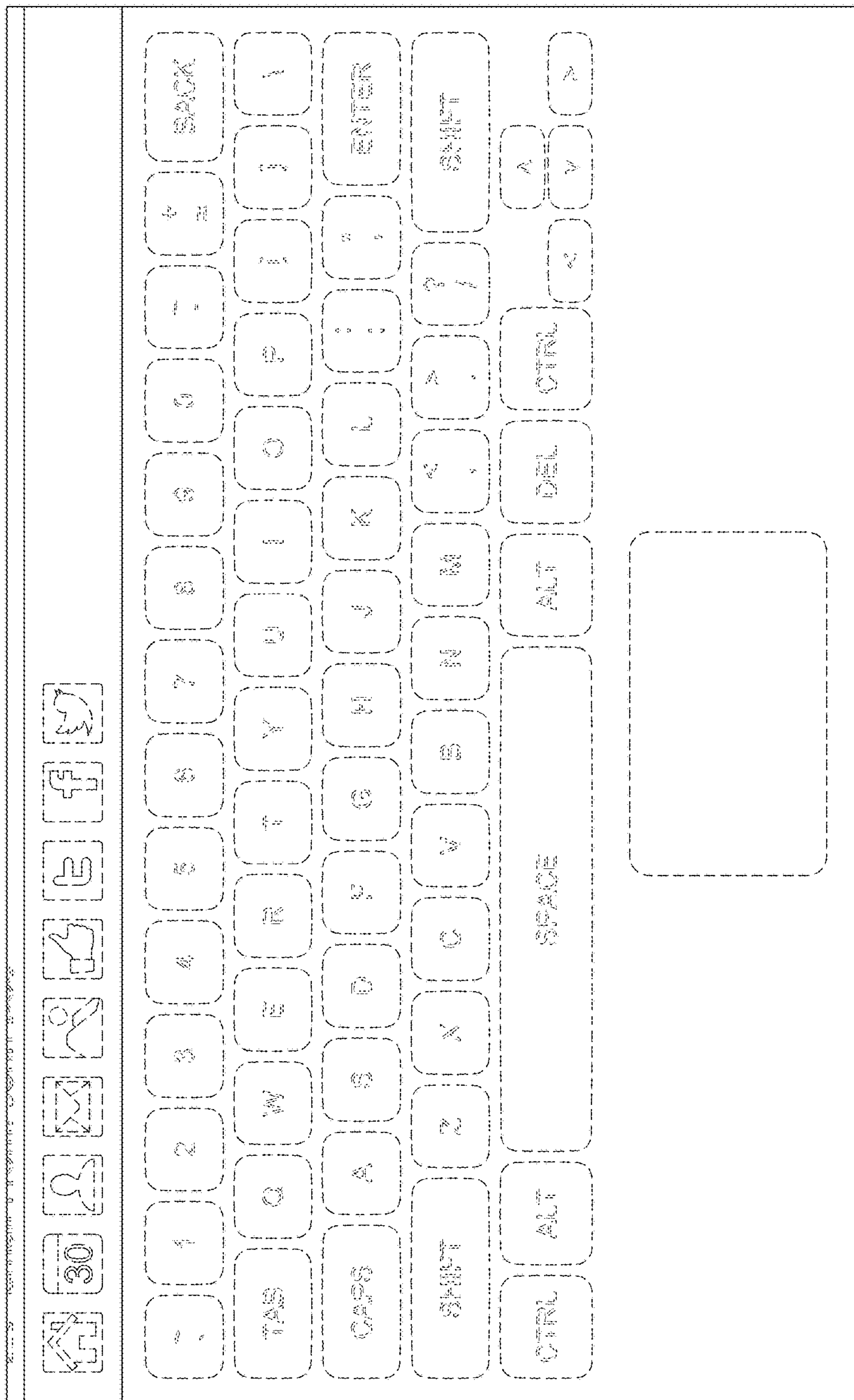


FIG. 14