

US00D790530S

(12) **United States Design Patent**  
**Mangeot**

(10) **Patent No.:** **US D790,530 S**

(45) **Date of Patent:** **\*\* Jun. 27, 2017**

(54) **INTERACTIVE CONTROL TERMINAL**

(71) Applicant: **AKSOR**, Saint-Thibault-des-Vignes  
(FR)

(72) Inventor: **Jacques Mangeot**, Bussy-Saint-Georges  
(FR)

(73) Assignee: **AKSOR** (FR)

(\*\*) Term: **15 Years**

(21) Appl. No.: **35/500,291**

(22) Filed: **Nov. 2, 2015**

(80) **Hague Agreement Data**

Int. Filing Date: **Aug. 5, 2015**

Int. Reg. No.: **DM/088154**

Int. Reg. Date: **Nov. 2, 2015**

Int. Reg. Pub. Date: **Nov. 27, 2015**

(51) **LOC (10) Cl.** ..... **14-02**

(52) **U.S. Cl.**  
USPC ..... **D14/307**

(58) **Field of Classification Search**  
USPC ..... D14/307, 309; D99/28, 43; D6/657;  
353/94  
CPC ..... G09F 13/00  
See application file for complete search history.

(56) **References Cited**

**U.S. PATENT DOCUMENTS**

D515,080 S \* 2/2006 Esplo ..... D14/307  
D532,782 S \* 11/2006 Russo ..... D14/307  
D602,225 S \* 10/2009 Lute ..... D99/28

D615,319 S \* 5/2010 Tuskiewicz ..... D6/657  
7,845,102 B2 \* 12/2010 Choi ..... G09F 13/00  
353/94  
D695,285 S \* 12/2013 Smith ..... D14/307  
D696,658 S \* 12/2013 Winston ..... D14/307  
D702,415 S \* 4/2014 Kimoto ..... D99/43  
D727,308 S \* 4/2015 Kraft ..... D14/307  
D735,964 S \* 8/2015 Randall ..... D99/28  
D737,808 S \* 9/2015 Naumann ..... D14/307  
D742,870 S \* 11/2015 Berini ..... D14/307  
D751,061 S \* 3/2016 Berini ..... D14/307  
D755,173 S \* 5/2016 Sheldon ..... D14/307  
D760,711 S \* 7/2016 Berini ..... D14/307  
D761,783 S \* 7/2016 Kulkarni ..... D14/300  
D762,040 S \* 7/2016 King ..... D99/28  
D762,635 S \* 8/2016 Szeredi ..... D14/307  
D763,844 S \* 8/2016 Gonzalez Solis ..... D14/307  
D765,340 S \* 8/2016 Lee ..... D99/28

\* cited by examiner

*Primary Examiner* — Rhea Shields

(74) *Attorney, Agent, or Firm* — Katten Muchin  
Rosenman LLP

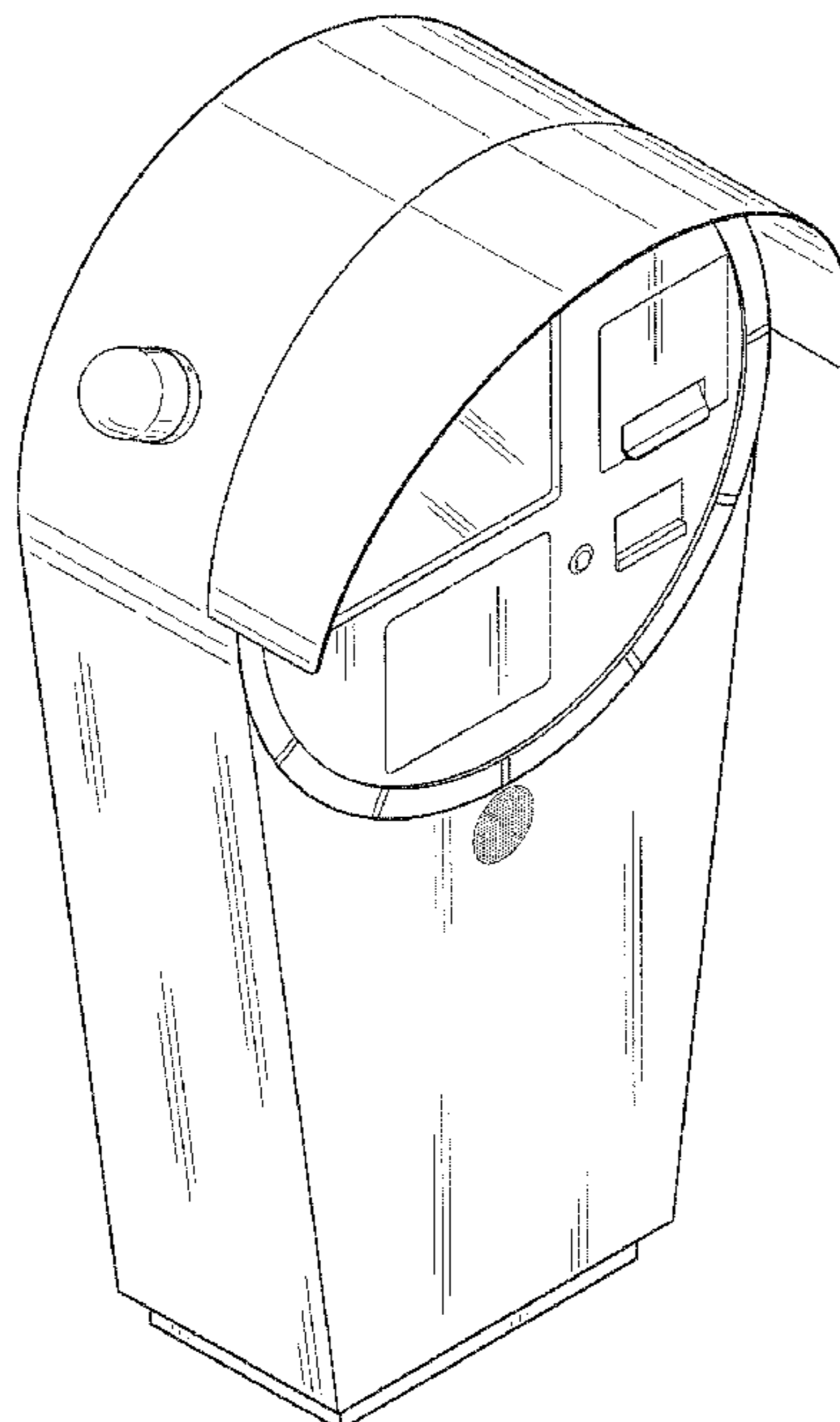
(57) **CLAIM**

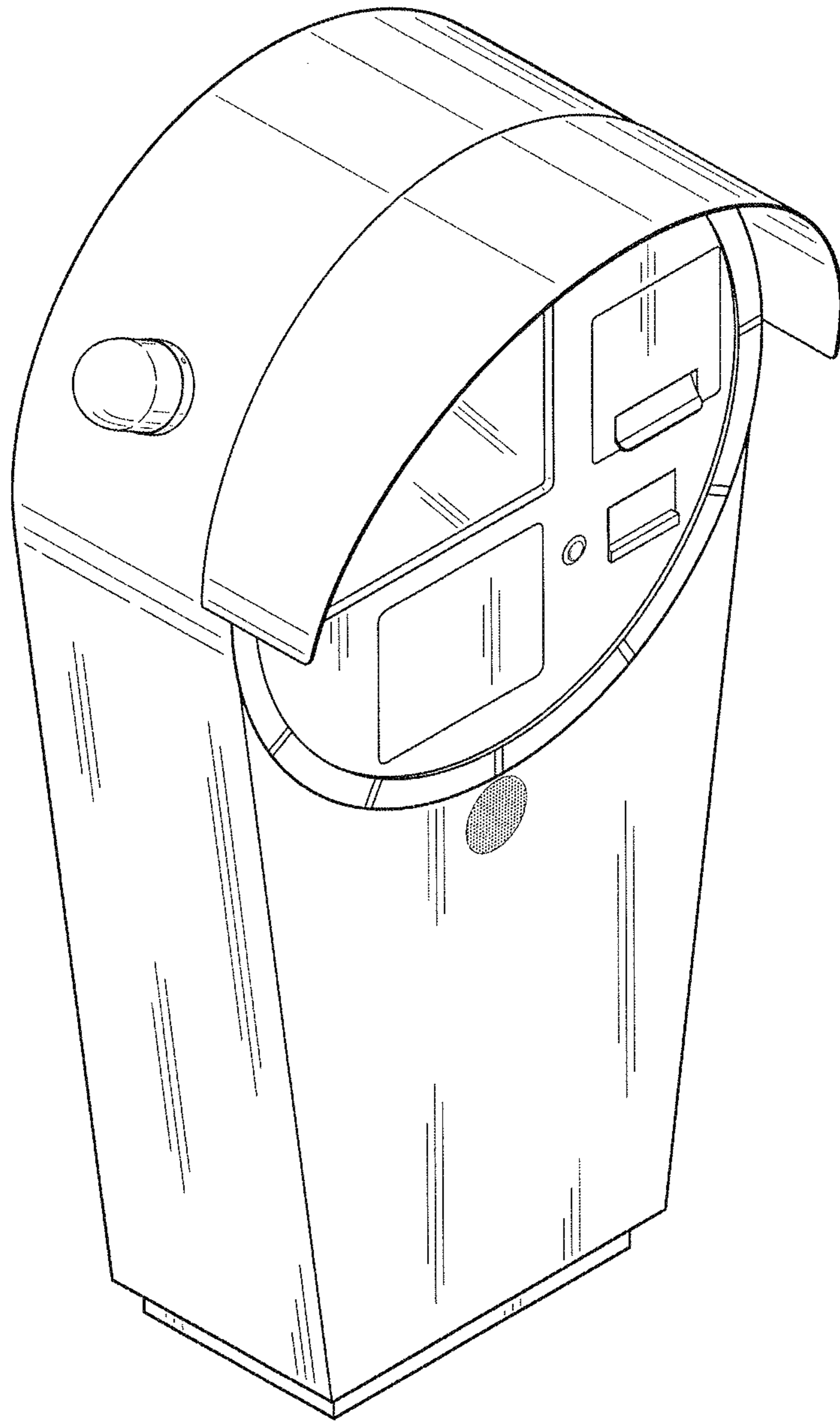
The ornamental design for an interactive control terminal, as shown and described.

**DESCRIPTION**

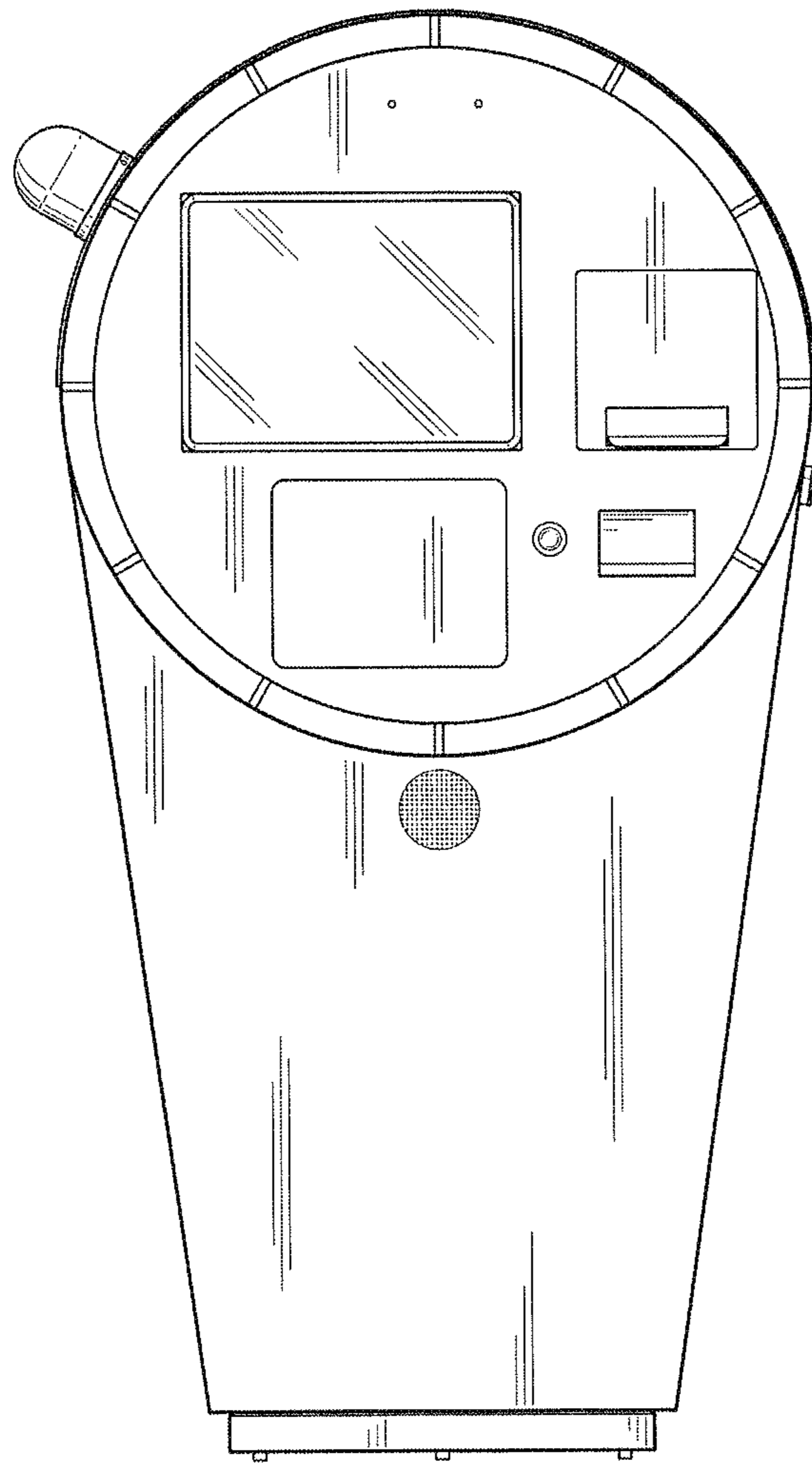
- 1.1 is a front perspective view;
- 1.2 is a front view;
- 1.3 is a back view;
- 1.4 is a side view;
- 1.5 is a side view;
- 1.6 is a top view; and
- 1.7 is a bottom view.

**1 Claim, 7 Drawing Sheets**

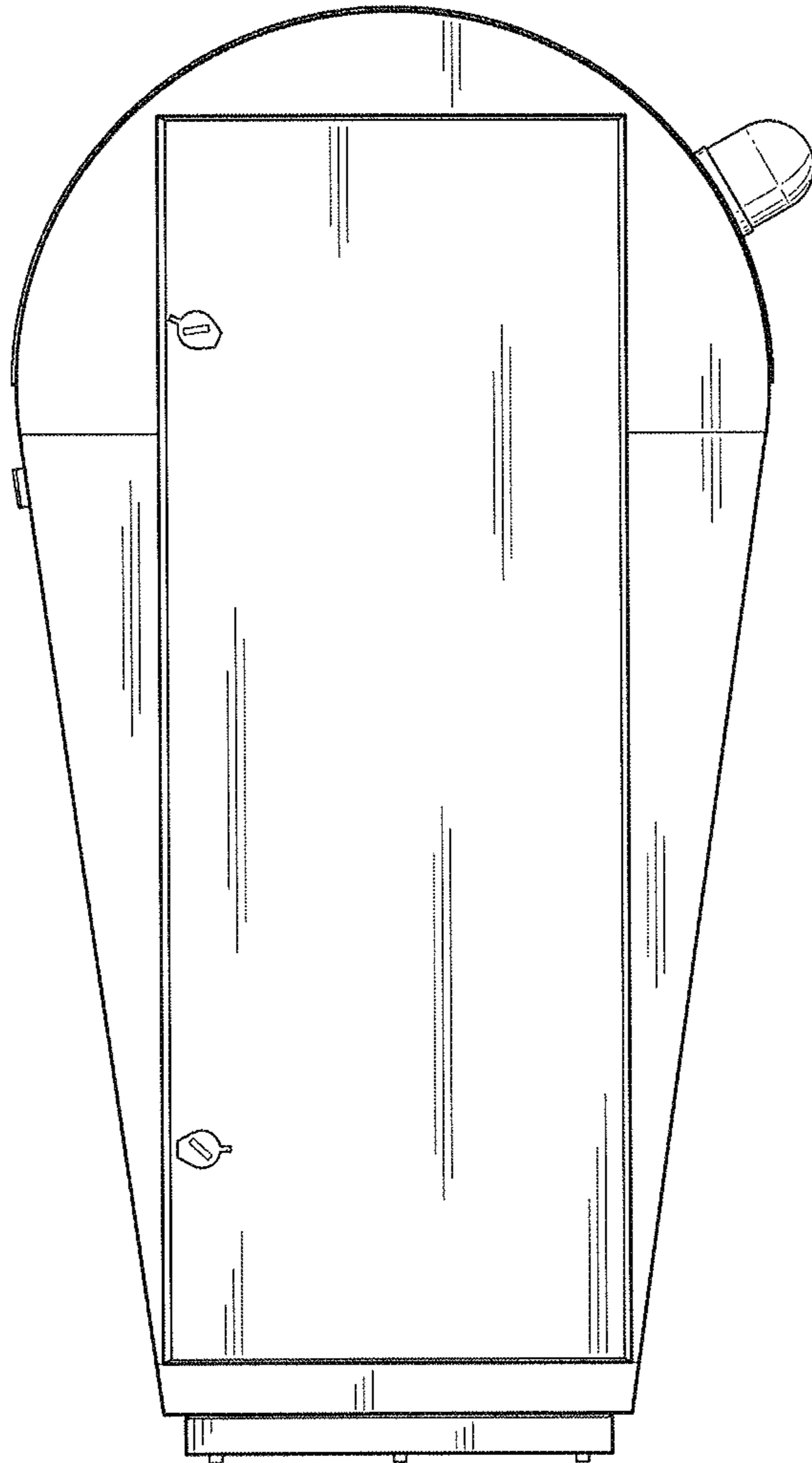




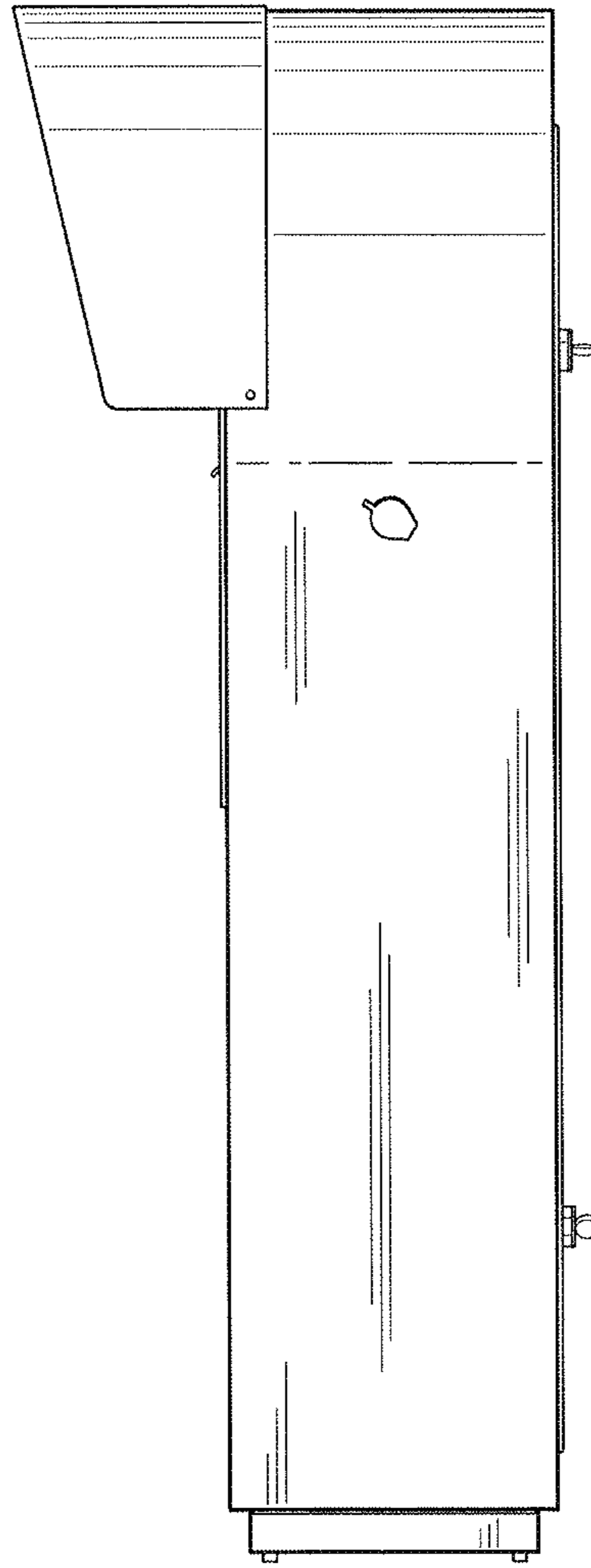
1.1



1.2



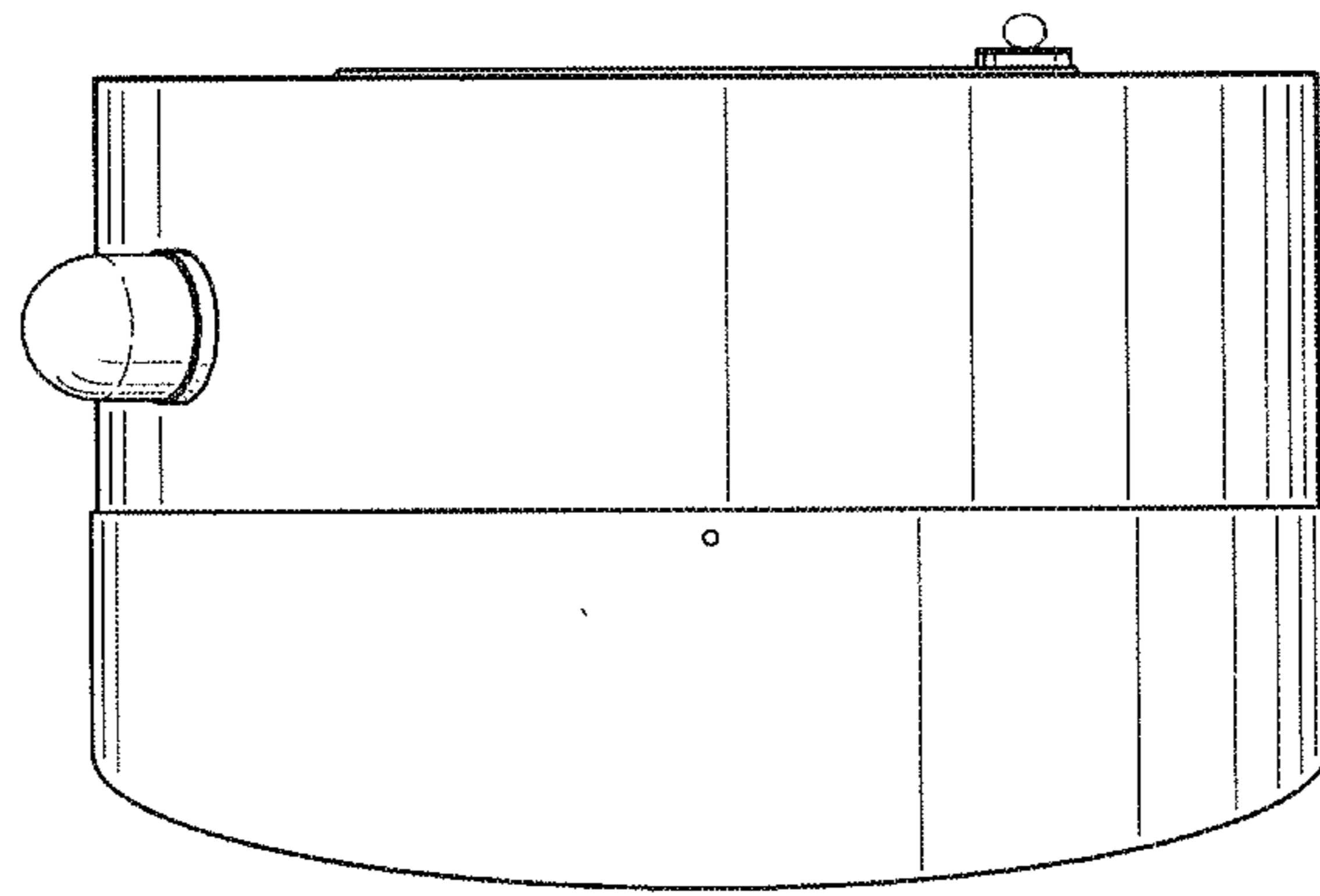
1.3



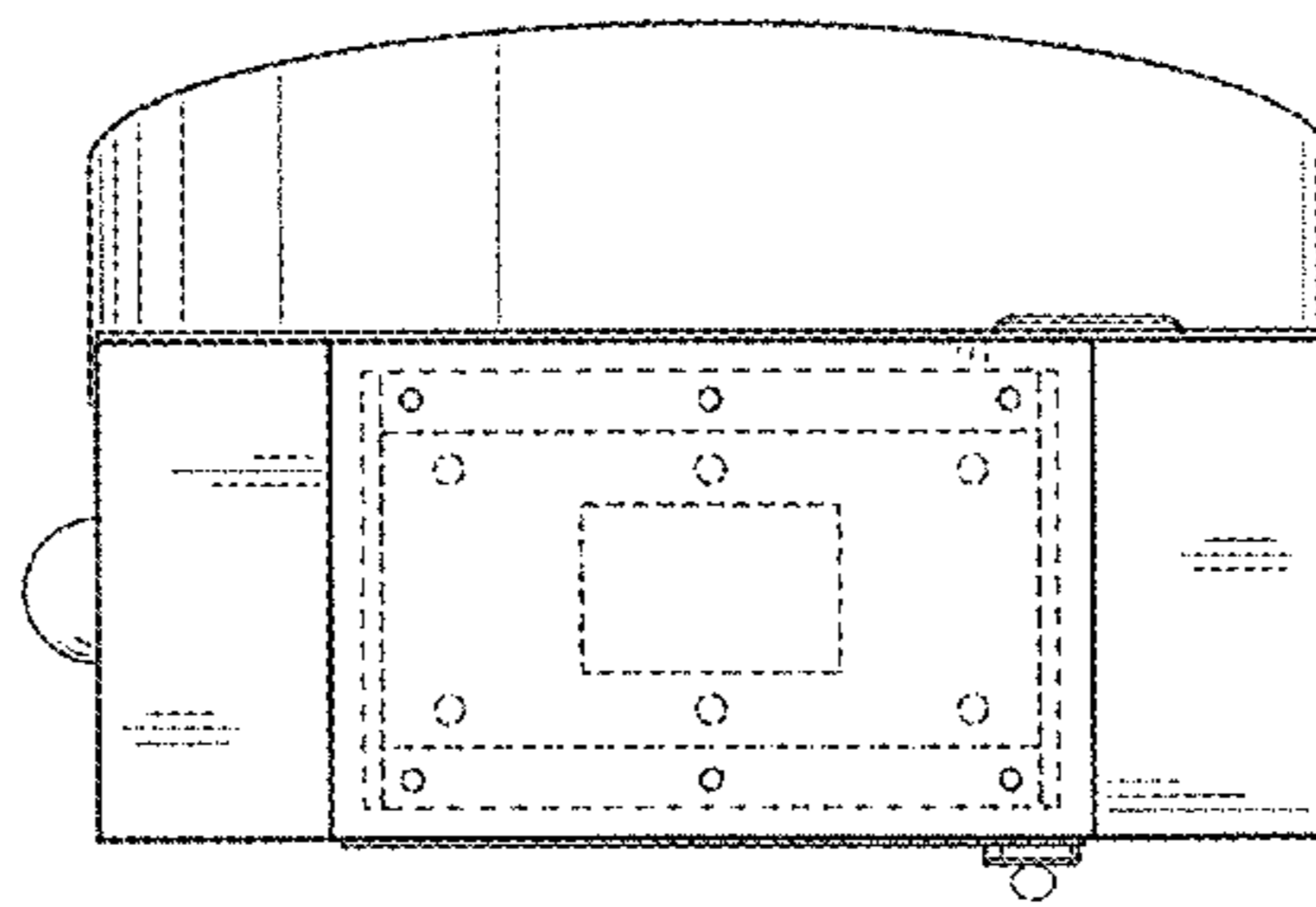
1.4



1.5



1.6



1.7