



US00D790528S

(12) **United States Design Patent**  
**Lindloff**

(10) **Patent No.:** **US D790,528 S**

(45) **Date of Patent:** **\*\* Jun. 27, 2017**

(54) **ELECTRONIC DEVICE HOLDER**

(71) Applicant: **Ciro, LLC**, Hudson, WI (US)

(72) Inventor: **Christopher D Lindloff**, New Richmond, WI (US)

(73) Assignee: **Ciro, LLC**, Hudson, WI (US)

(\*\*) Term: **15 Years**

(21) Appl. No.: **29/566,773**

(22) Filed: **Jun. 2, 2016**

(51) **LOC (10) Cl.** ..... **14-03**

(52) **U.S. Cl.**  
USPC ..... **D14/253**

(58) **Field of Classification Search**  
USPC ..... D14/253, 251, 252, 447, 451, 452, 440,  
D14/434, 458, 432, 439, 457, 460, 238.1,  
D14/140, 142, 149, 217, 148, 140.8,  
D14/140.11, 209.1, 151, 140.9; D13/107,  
D13/108; D12/415, 223, 114; D3/218;  
D16/242-245, 250, 237, 203, 214, 219;  
D6/675, 672, 673, 675.4, 553, 676, 310  
CPC ..... B60R 2011/0008; B60R 11/02; B60R  
11/0241; B60R 11/0258; B60R 11/0252;  
B60R 2011/0294; F16M 11/00; F16M  
11/04; F16M 11/041; F16M 11/02; F16M  
11/06; H04M 1/02; A47F 7/022; B62J  
11/00

See application file for complete search history.

(56) **References Cited**

**U.S. PATENT DOCUMENTS**

D634,315 S \* 3/2011 Nousiainen ..... D14/253  
D641,610 S \* 7/2011 Sedalo ..... D8/354

D658,651 S \* 5/2012 Lee ..... D14/452  
D689,502 S \* 9/2013 Belitz ..... D14/447  
D696,241 S \* 12/2013 Paugh ..... D14/253  
D717,804 S \* 11/2014 Budge ..... D14/447  
D770,171 S \* 11/2016 Lai ..... D14/253

\* cited by examiner

*Primary Examiner* — Susan Bennett Hattan

*Assistant Examiner* — Janice Hallmark

(74) *Attorney, Agent, or Firm* — Dicke, Billig & Czaja,  
PLLC

(57) **CLAIM**

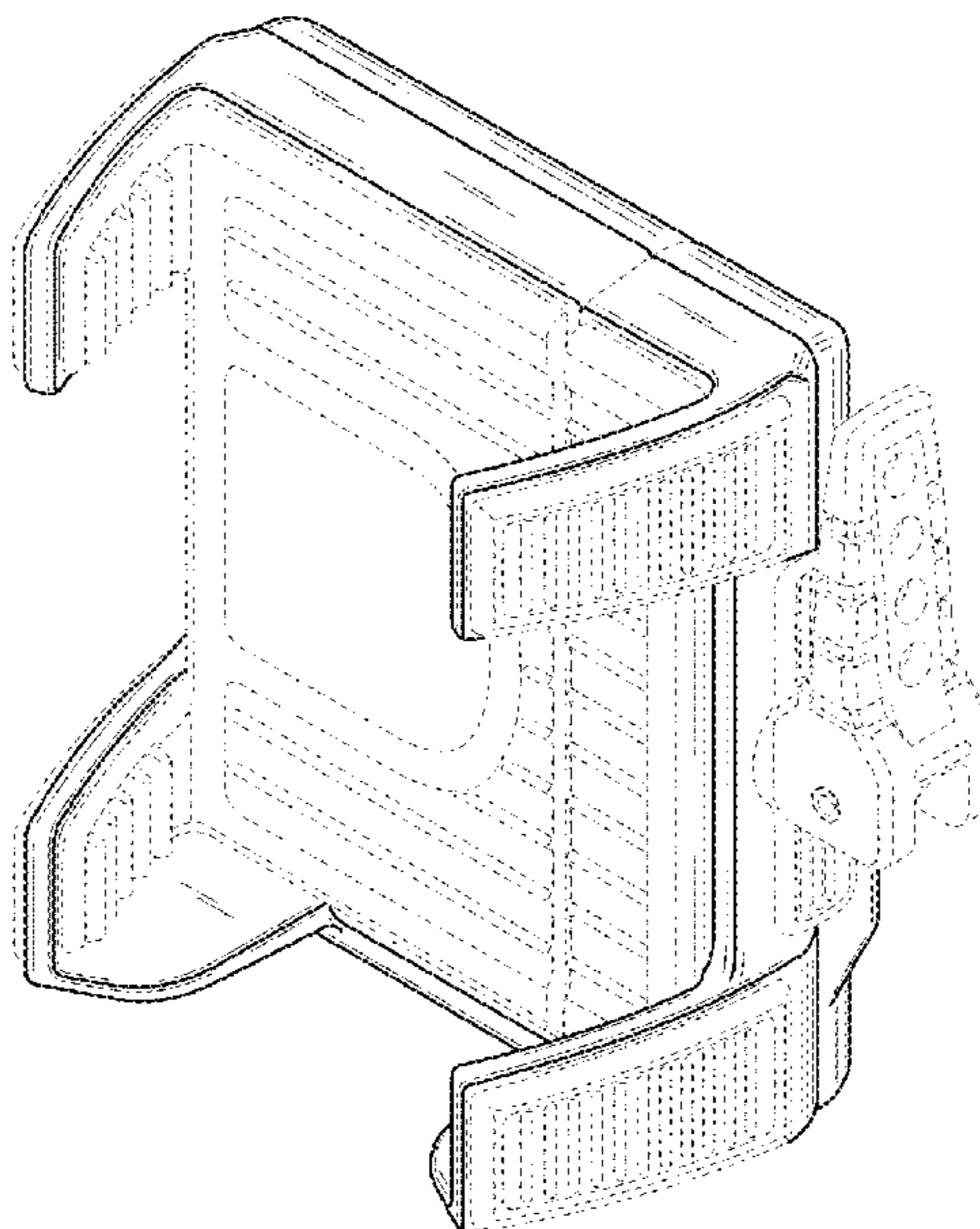
The ornamental design for an electronic device holder, as shown and described.

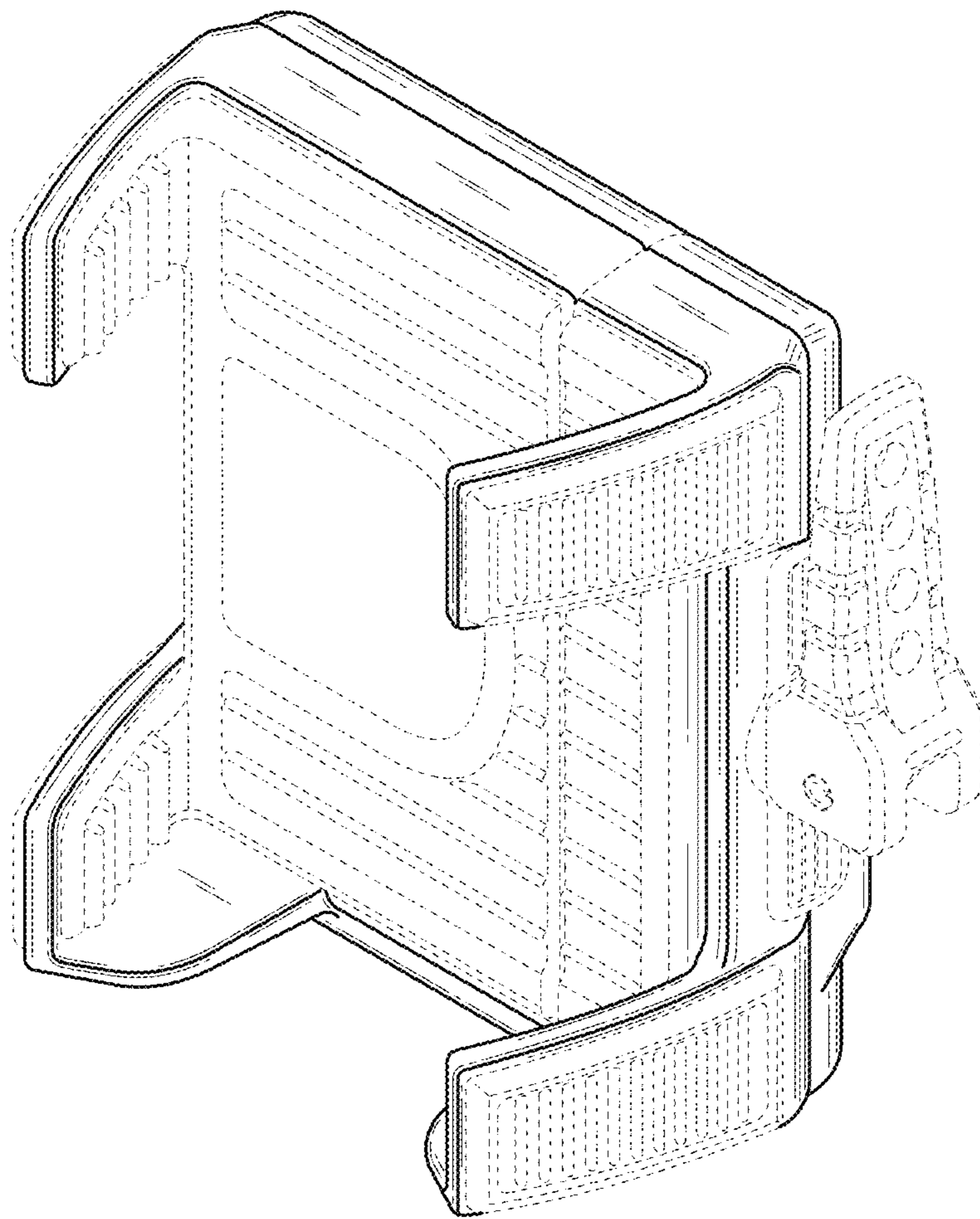
**DESCRIPTION**

FIG. 1 is a perspective view of the electronic device holder. FIG. 2 is a front elevation view thereof. FIG. 3 is a rear elevation view thereof. FIG. 4 is a top side view thereof. FIG. 5 is a bottom side view thereof. FIG. 6 is a first side view thereof; and, FIG. 7 is second side view thereof, opposite the first side view.

The device holder mount, the cam lock handle, the boundary line separating a left portion of the electronic device holder from a right portion of the electronic device holder, and the surface portions shown in broken lines form no part of the claimed design.

**1 Claim, 7 Drawing Sheets**





**Fig. 1**

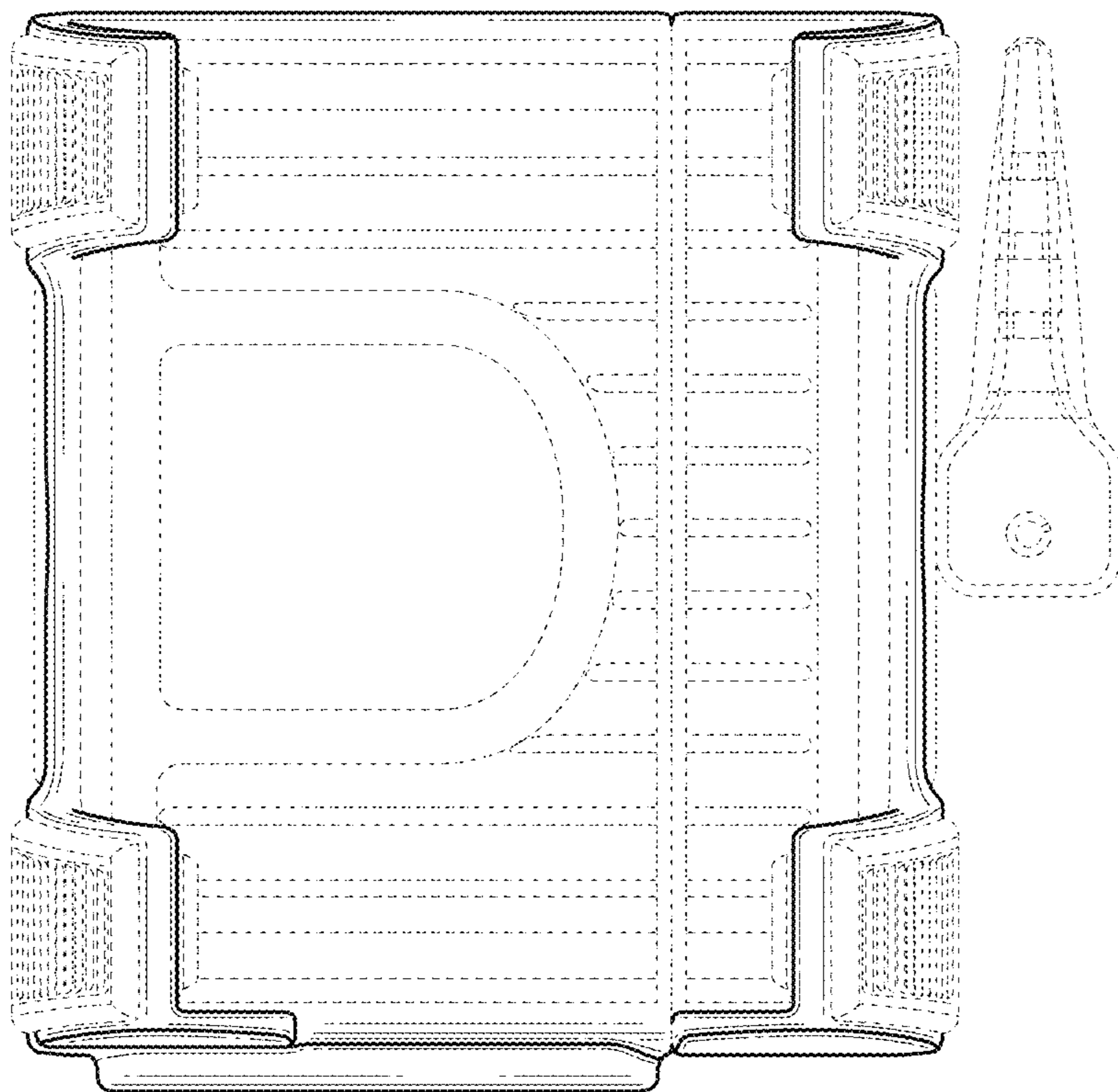
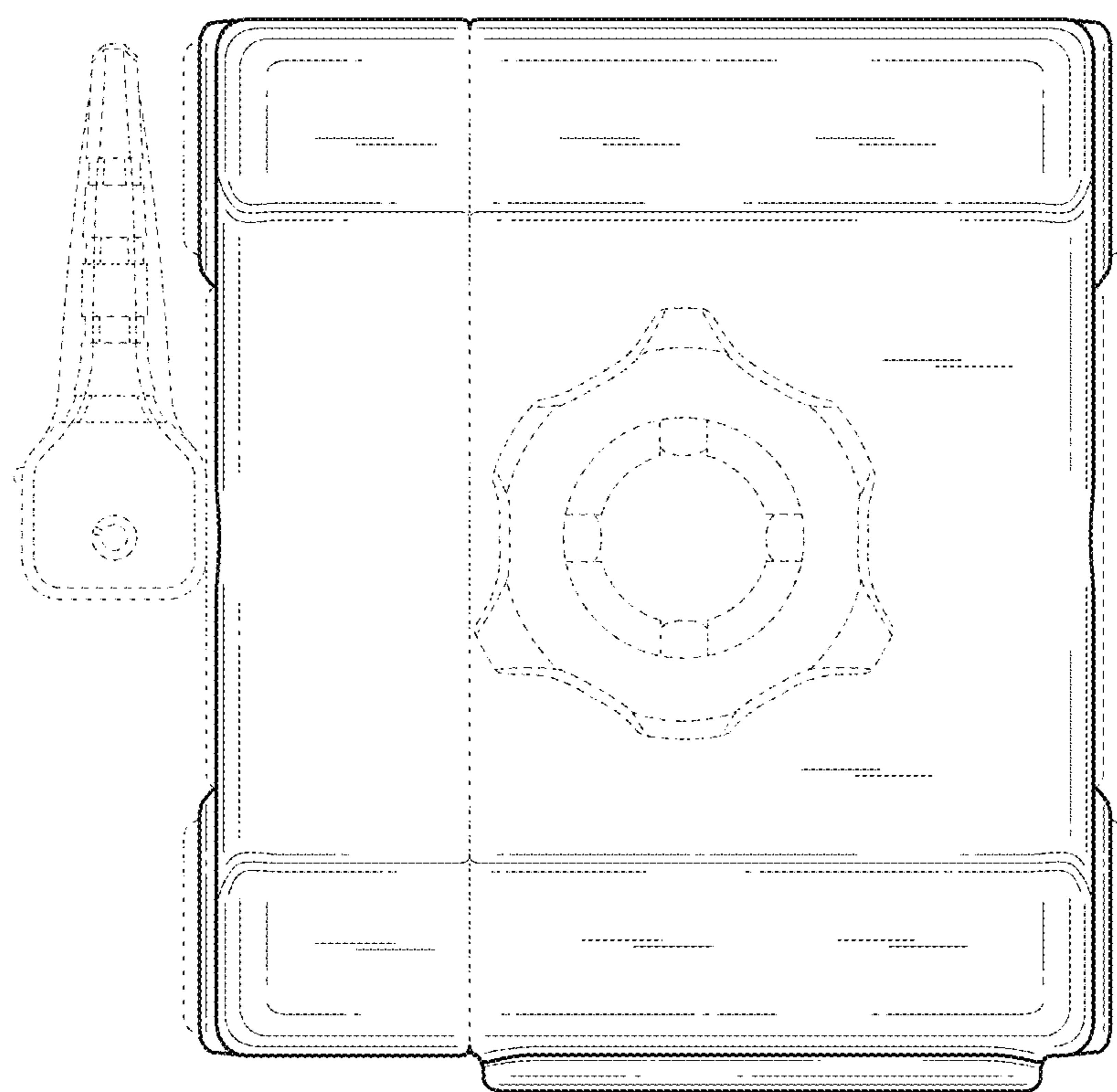
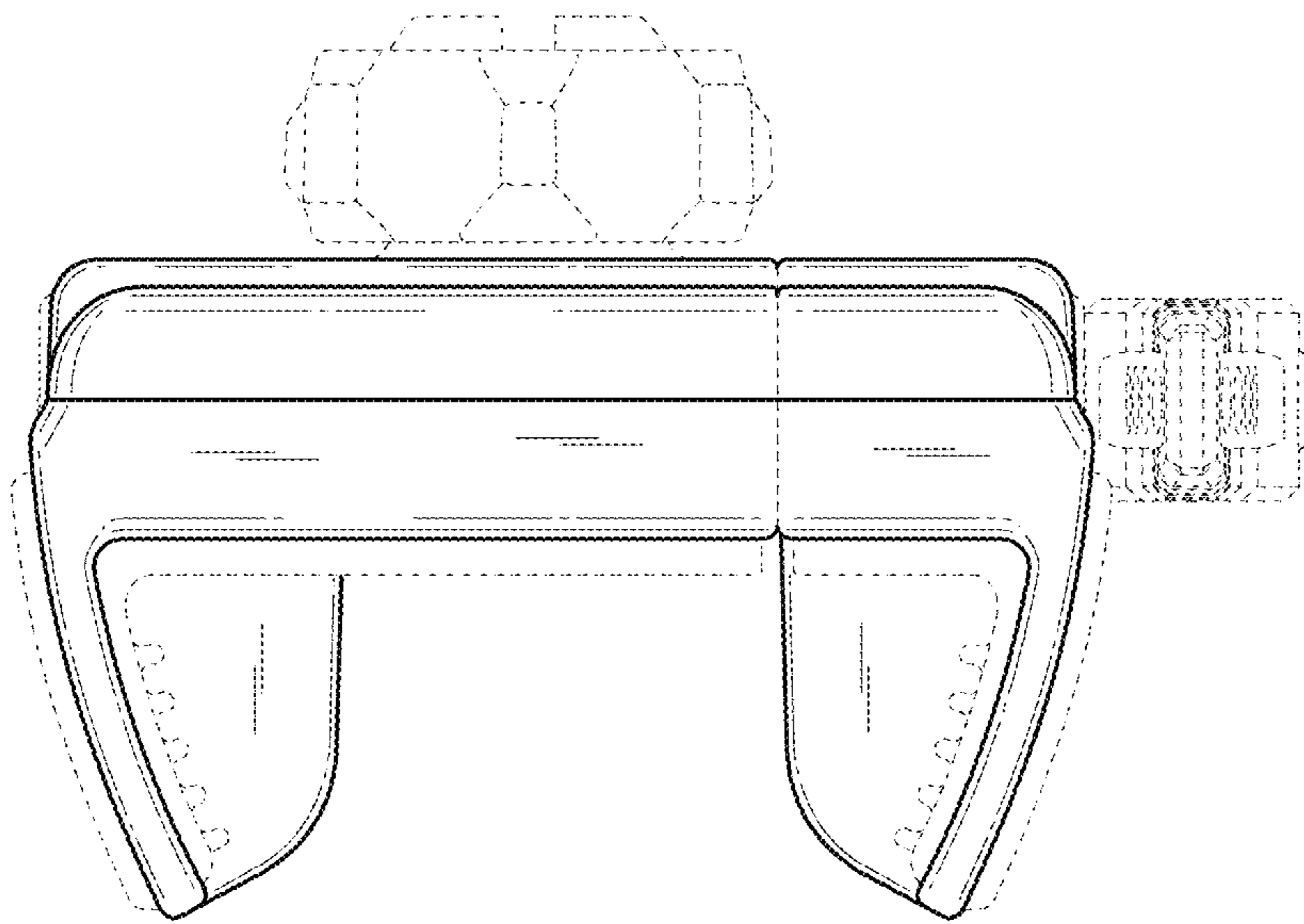


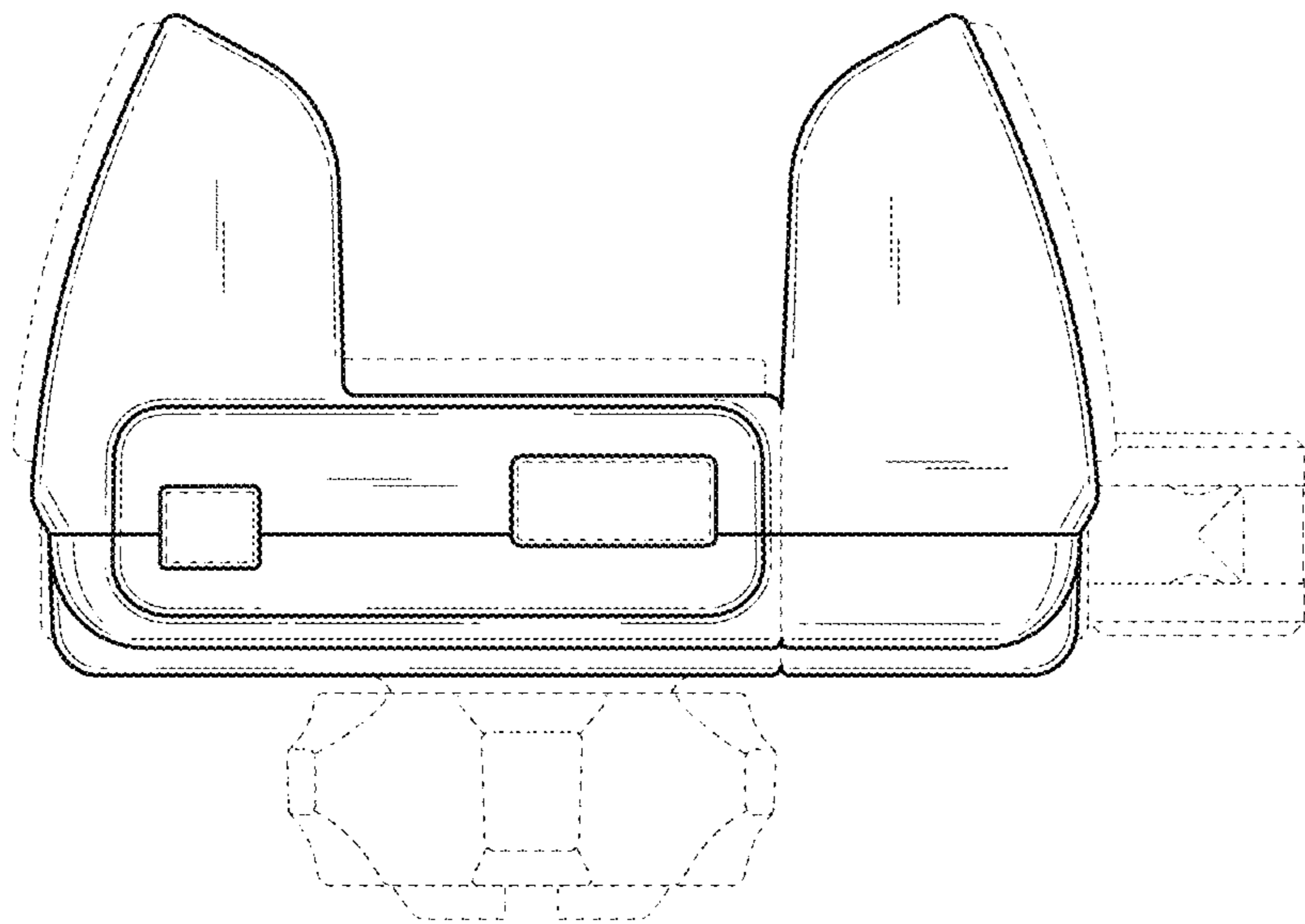
Fig. 2



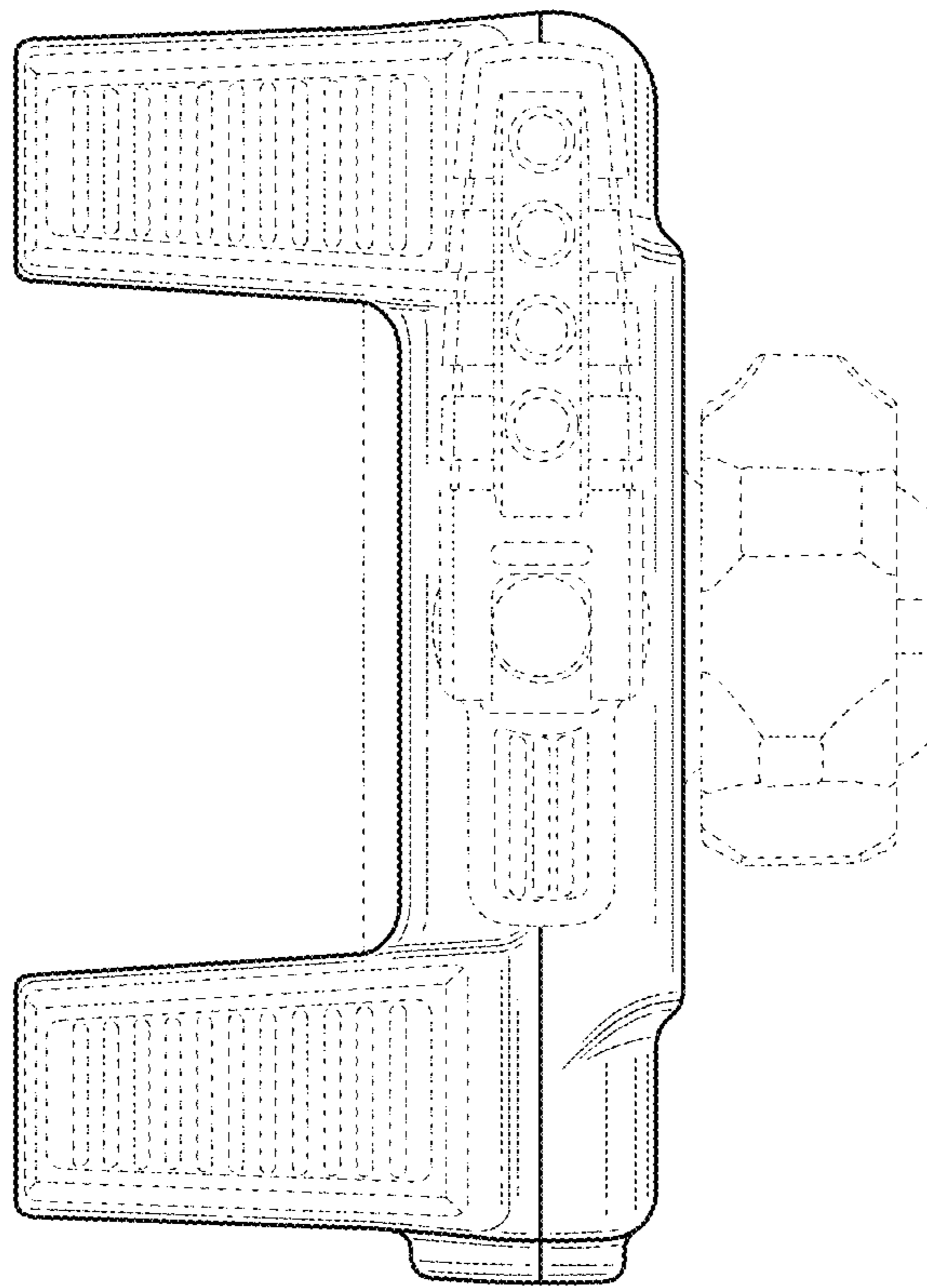
**Fig. 3**



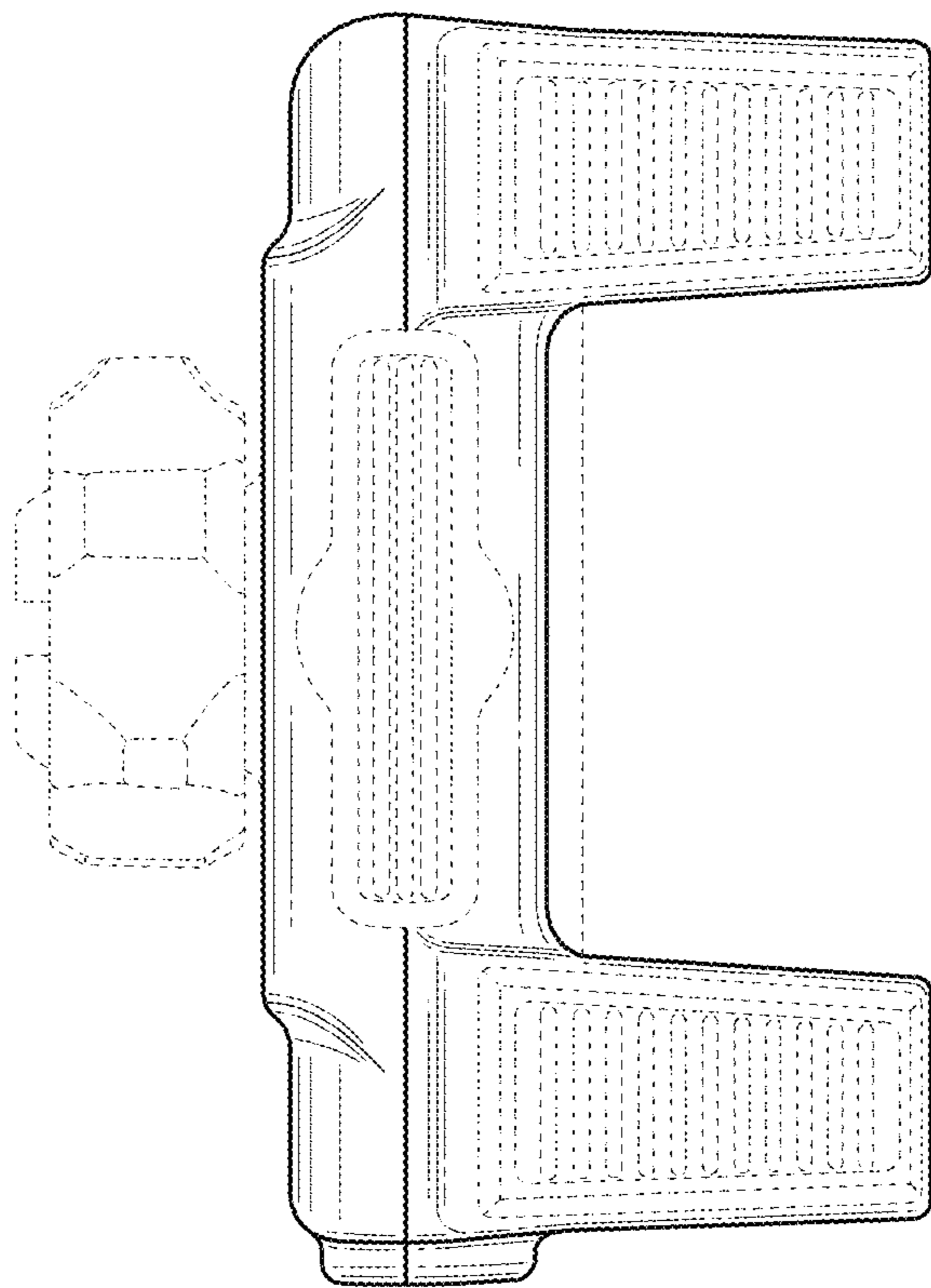
**Fig. 4**



**Fig. 5**



**Fig. 6**



**Fig. 7**