



US00D790527S

(12) **United States Design Patent**
O’Neill et al.

(10) **Patent No.:** **US D790,527 S**

(45) **Date of Patent:** **** Jun. 27, 2017**

(54) **HOLDER FOR A MOBILE DEVICE**

11/06; F16M 13/00; H04M 1/02; H04M 1/04; H04M 1/11; H04M 1/12; A47F 7/022; B62J 11/00; H05K 7/00; G03B 17/56; G03B 19/12

(71) Applicant: **olloclip, LLC**, Huntington Beach, CA (US)

See application file for complete search history.

(72) Inventors: **Patrick D. O’Neill**, Huntington Beach, CA (US); **Chong Pak**, Lakewood, CA (US); **Joshua Cantor**, Huntington Beach, CA (US); **Daniel Arato**, Los Angeles, CA (US); **Jason Patrick**, Long Beach, CA (US); **Ryan Nguyen**, Fountain Valley, CA (US)

(56) **References Cited**

U.S. PATENT DOCUMENTS

7,614,874 B2	11/2009	Mochizuki et al.	
D625,715 S *	10/2010	Adams, II	D14/253
D647,434 S *	10/2011	Chambers	D12/114
D663,735 S *	7/2012	Musselman	D14/253
D684,962 S *	6/2013	Linhardt	D14/253
D685,687 S *	7/2013	Richter	D12/114
D692,899 S *	11/2013	Bremenkamp	D14/447
D693,818 S *	11/2013	Webber	D14/439

(Continued)

(73) Assignee: **olloclip, LLC**, Huntington Beach, CA (US)

Primary Examiner — Janice Hallmark

(**) Term: **15 Years**

(74) *Attorney, Agent, or Firm* — Knobbe, Martens, Olson & Bear, LLP

(21) Appl. No.: **29/565,030**

(22) Filed: **May 17, 2016**

(51) **LOC (10) Cl.** **14-03**

(52) **U.S. Cl.**
USPC **D14/253**

(57) **CLAIM**

The ornamental design for a holder for a mobile device, as shown and described.

(58) **Field of Classification Search**

USPC D14/253, 251, 252, 447, 451, 452, 440, D14/434, 458, 432, 439, 457, 460, 238.1, D14/140, 142, 149, 217, 148, 140.8, D14/140.11, 209.1, 151, 140.9, 250, 238; D13/107, 108; D12/415, 223, 114, 420, D12/417, 407, 177; D3/218; D16/242–245, 250, 237, 203, 214, 219; D8/349; D6/675, 672, 673, 675.4, 553, D6/676, 310, 406.3, 406.4, 406.5, 406.6, D6/407, 567, 300, 682.3, 396; 248/459, 248/460; 224/483; D24/223; D9/457; 348/375, 376; D21/466

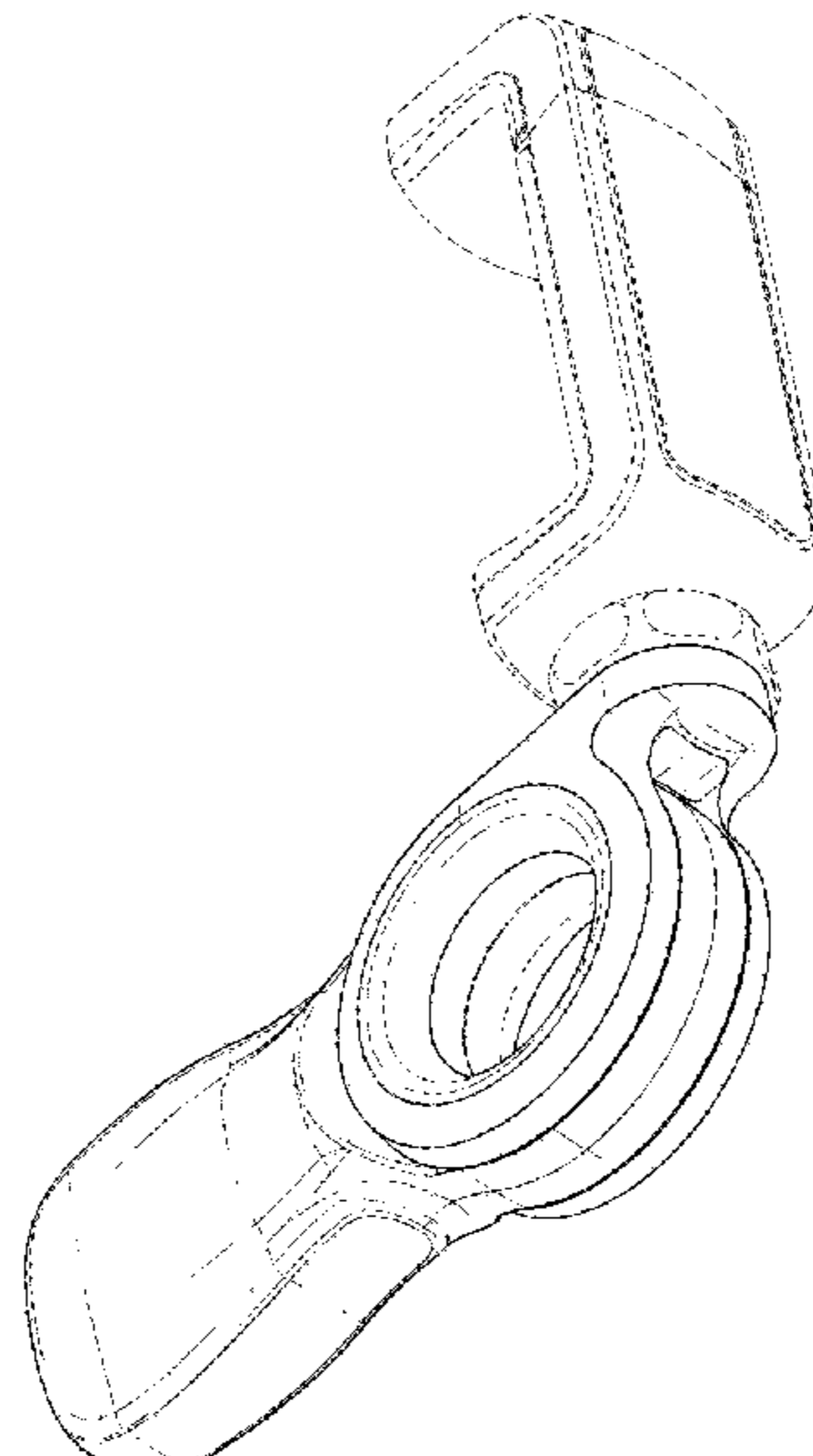
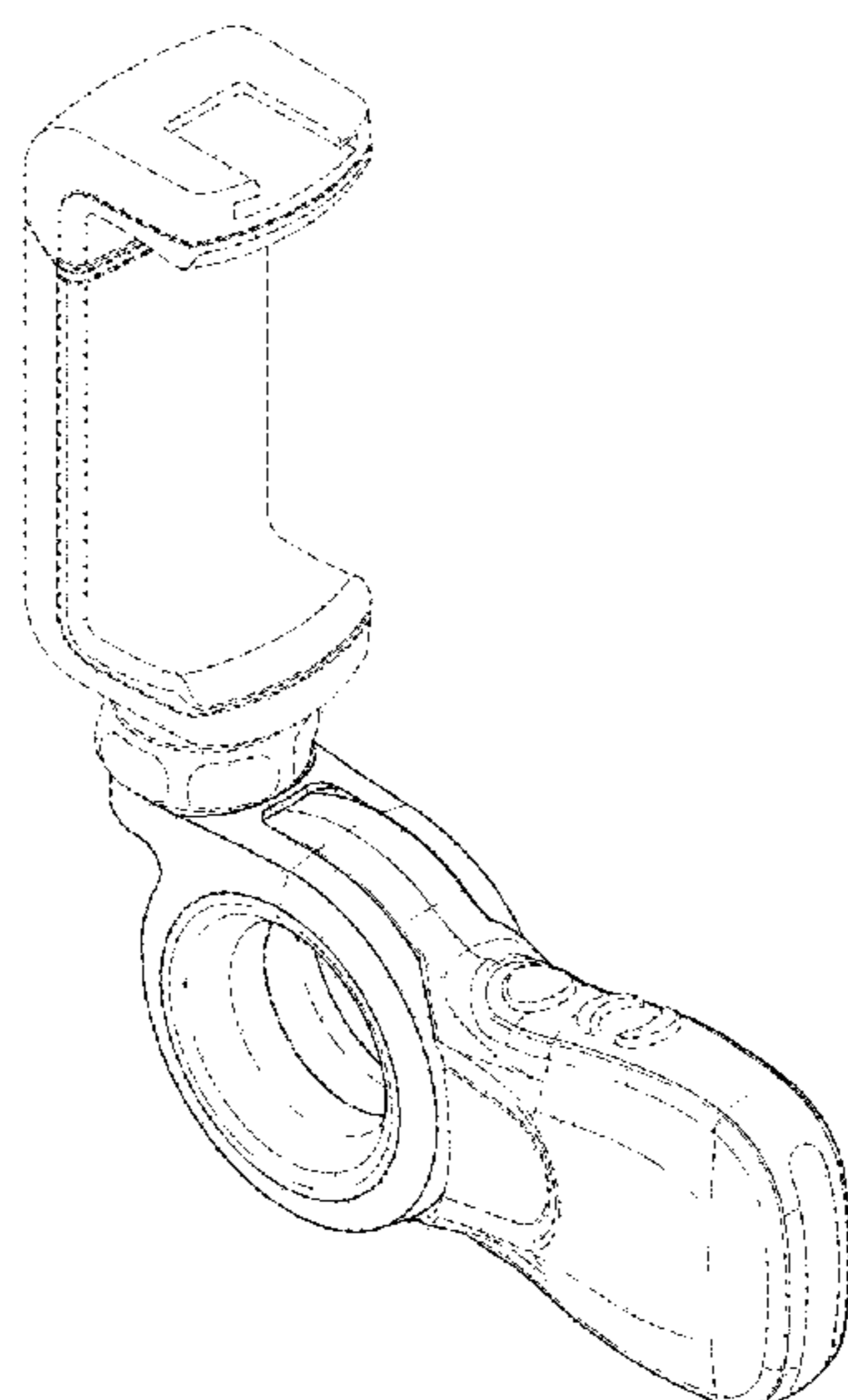
CPC B60R 2011/0008; B60R 11/02; B60R 11/0241; B60R 11/0258; B60R 11/0252; B60R 2011/0294; F16M 11/00; F16M 11/04; F16M 11/041; F16M 11/02; F16M

DESCRIPTION

FIG. 1 is a front, top, left side perspective view of a holder for a mobile device;
 FIG. 2 is a back, bottom, and right side perspective view thereof;
 FIG. 3 is a left side elevation view thereof;
 FIG. 4 is a right side elevation view thereof;
 FIG. 5 is a back side elevation view thereof;
 FIG. 6 is a front side elevation view thereof;
 FIG. 7 is a top plan view thereof; and,
 FIG. 8 is a bottom plan view thereof.

The broken lines in the drawings depict parts of the holder for a mobile device that form no part of the claimed design.

1 Claim, 6 Drawing Sheets



(56)

References Cited

U.S. PATENT DOCUMENTS

8,708,205 B2 *	4/2014	Wotton	B62J 11/00
				224/413
D739,853 S *	9/2015	Lee	D14/253
D767,555 S *	9/2016	Lee	D14/253
D771,031 S *	11/2016	Ou	D14/253
2016/0113489 A1	4/2016	Myung et al.		
2016/0124210 A1 *	5/2016	Ross	G02B 23/16
				359/399

* cited by examiner

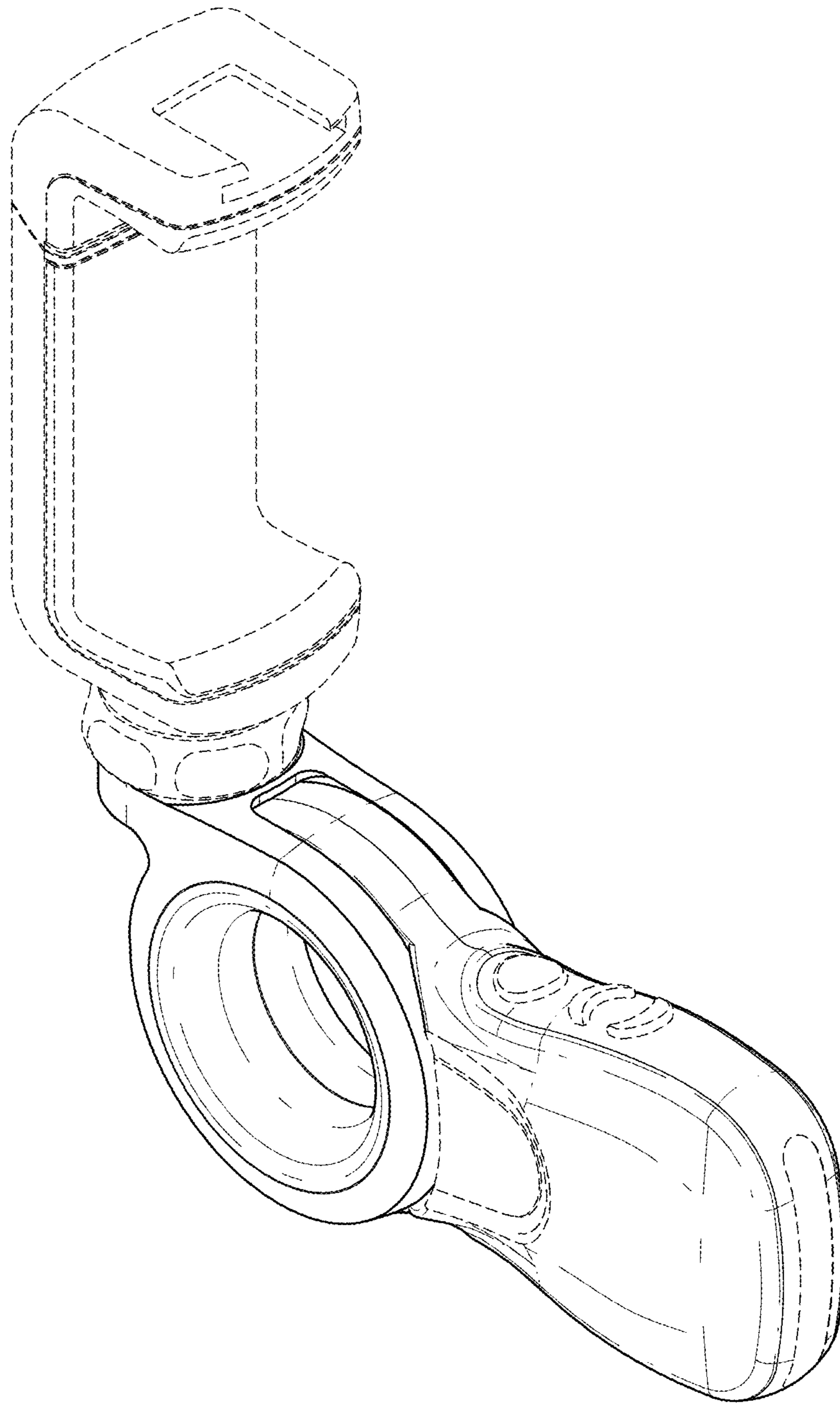


FIG 1

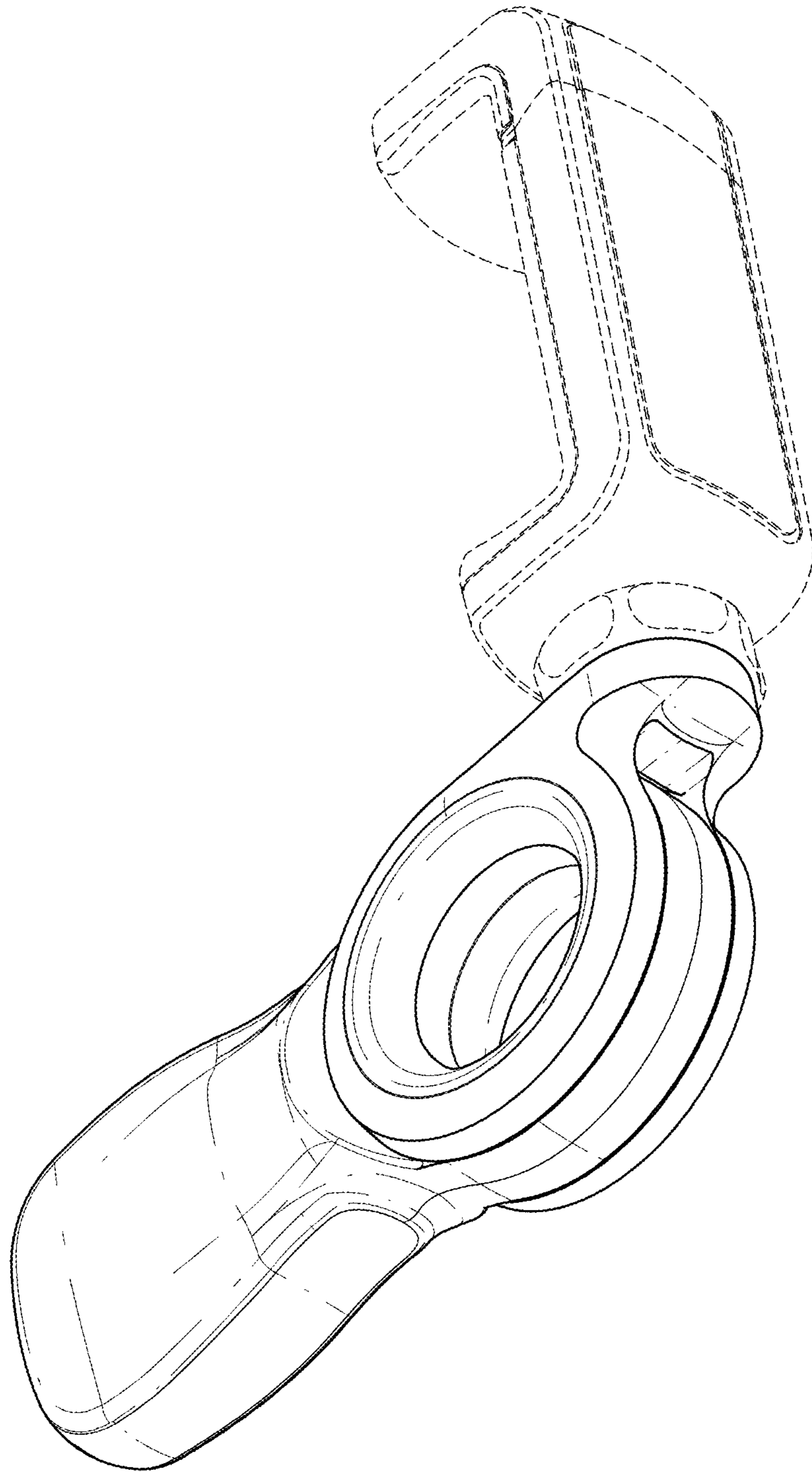


FIG 2

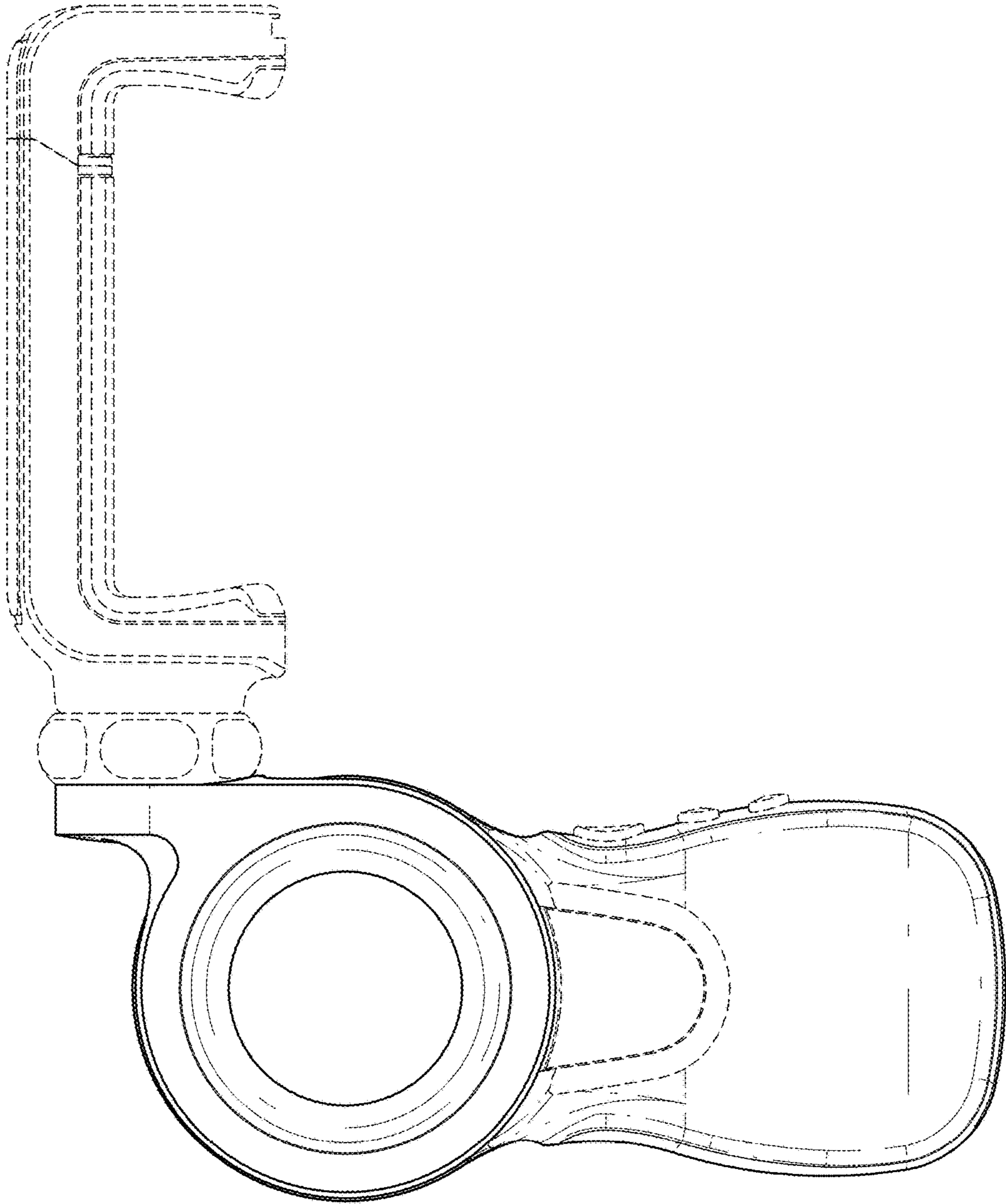


FIG 3

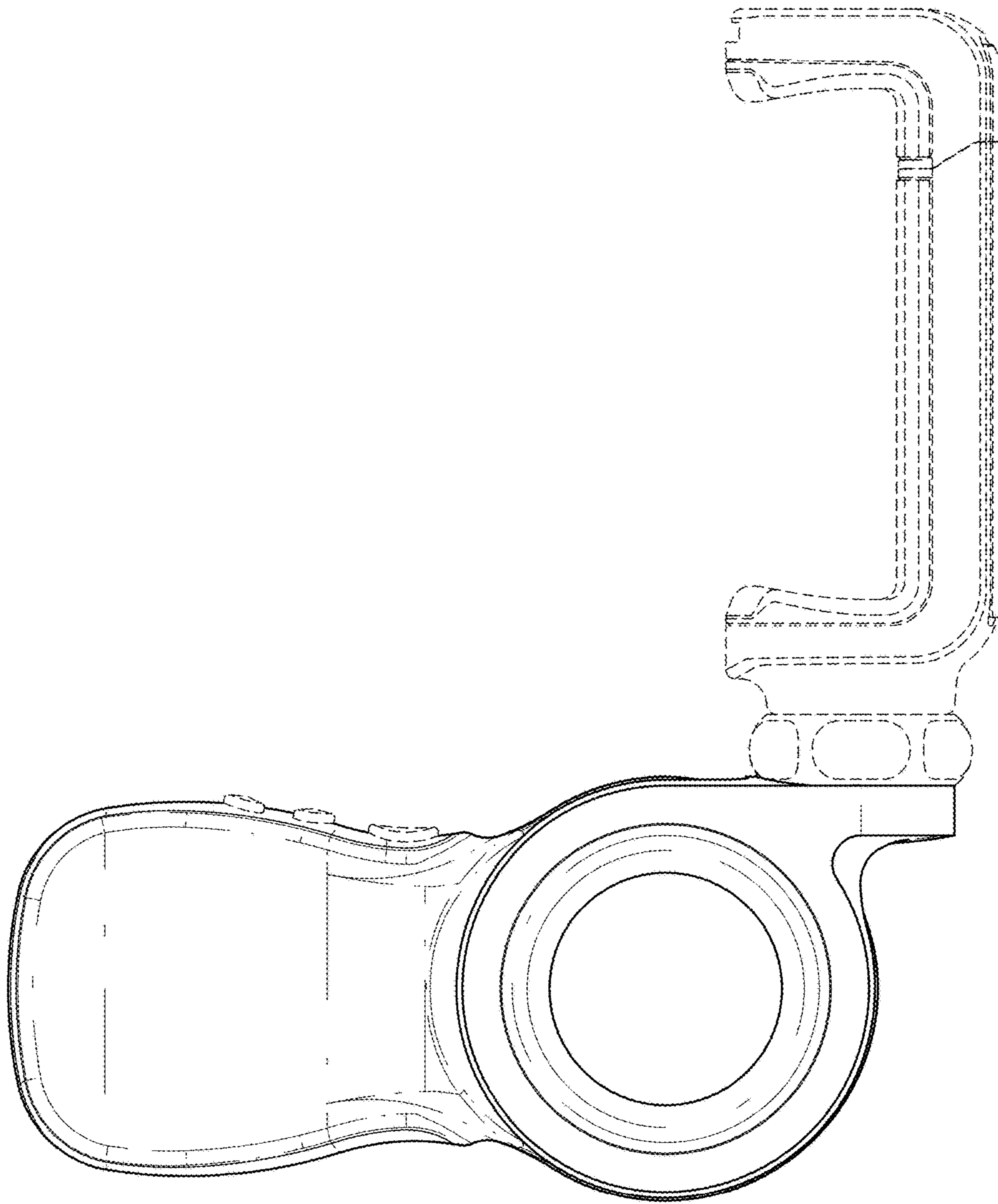


FIG 4

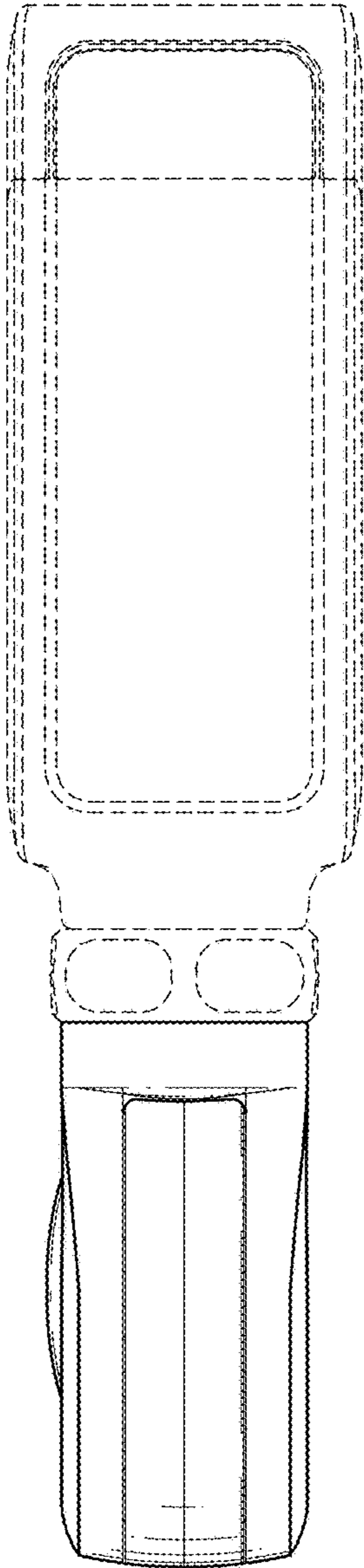


FIG 5

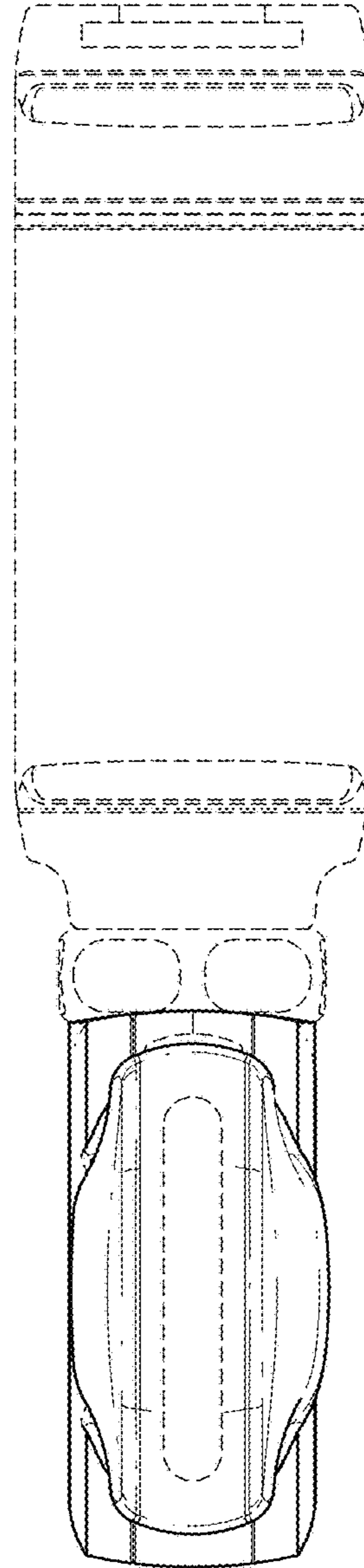


FIG 6

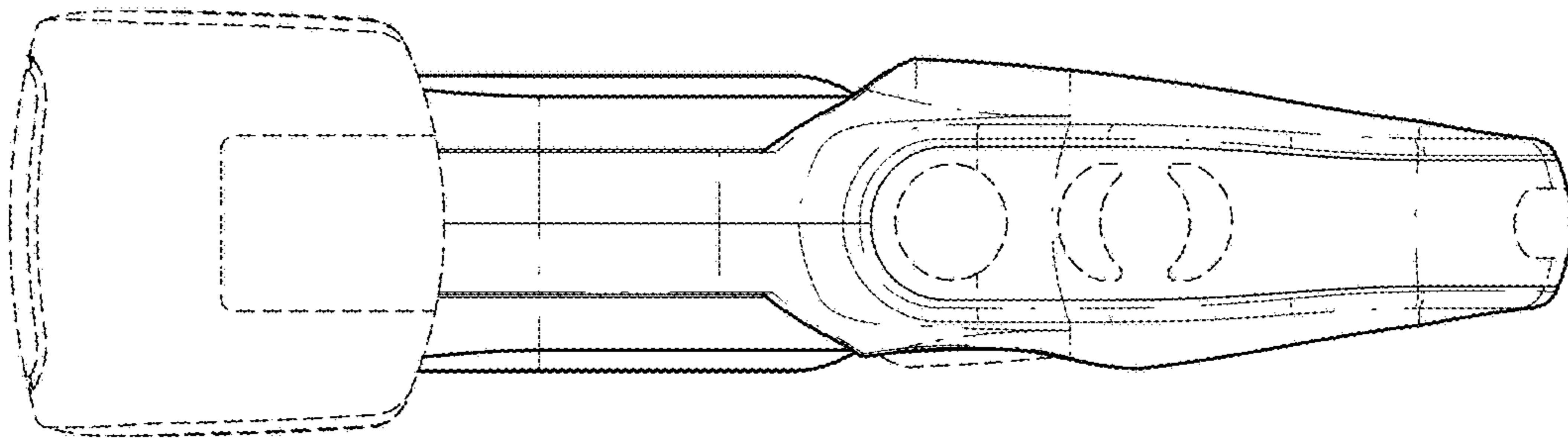


FIG 7

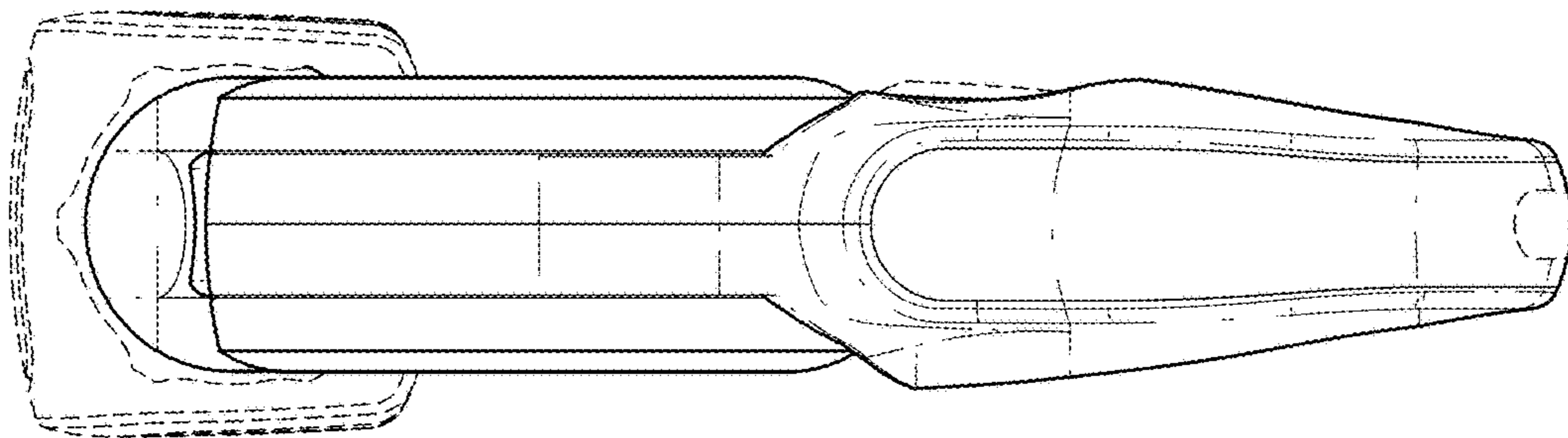


FIG 8