



US00D790515S

(12) **United States Design Patent**
Heinrich et al.

(10) **Patent No.:** **US D790,515 S**
(45) **Date of Patent:** **** Jun. 27, 2017**

(54) **TERRESTRIAL UNIT FOR CONNECTIVITY TO A BALLOON NETWORK**

(71) Applicant: **X Development LLC**, Mountain View, CA (US)

(72) Inventors: **Mitchell Joseph Heinrich**, San Francisco, CA (US); **Yoshimichi Matsuoka**, Cupertino, CA (US); **Brian Wasson**, Oakland, CA (US)

(73) Assignee: **X DEVELOPMENT LLC**, Mountain View, CA (US)

(**) Term: **15 Years**

(21) Appl. No.: **29/540,393**

(22) Filed: **Sep. 24, 2015**

Related U.S. Application Data

(62) Division of application No. 29/456,910, filed on Jun. 5, 2013, now Pat. No. Des. 741,843.

(51) **LOC (10) Cl.** **14-03**

(52) **U.S. Cl.**
USPC **D14/230**

(58) **Field of Classification Search**
USPC D14/230-238; D20/16, 38, 42, 99
CPC H04B 1/0475; H01Q 13/10; H01Q 9/285;
H01Q 19/30; H01Q 19/12; H01Q 1/38
See application file for complete search history.

(56) **References Cited**

U.S. PATENT DOCUMENTS

D45,811 S * 5/1914 Klein D20/16
1,636,684 A * 7/1927 Culver B65D 45/28
215/283
D93,714 S * 10/1934 Griffin D20/41
3,090,960 A * 5/1963 Ingledew H01Q 1/085
343/713
3,123,665 A * 3/1964 Ulrich H01Q 1/1214
174/153 A

3,268,897 A * 8/1966 Link H01Q 1/3275
343/713
3,402,009 A * 9/1968 Sawyer A47L 11/125
15/244.1
3,487,413 A * 12/1969 Shores H01Q 5/45
342/374
D338,206 S * 8/1993 Sawaguchi D14/230
D366,487 S * 1/1996 Jones D14/230

(Continued)

FOREIGN PATENT DOCUMENTS

JP D1325263 * 3/2008

OTHER PUBLICATIONS

Project Look Ubiquiti Networks Community, post dte Jun. 17, 2013, site visited Mar. 6, 2017, <https://community.ubnt.com/t5/The-Lounge/Project-Loon/td-p/492565>.*

Primary Examiner — John Windmuller

Assistant Examiner — John R Yeh

(74) *Attorney, Agent, or Firm* — McDonnell Boehnen Hulbert & Berghoff LLP

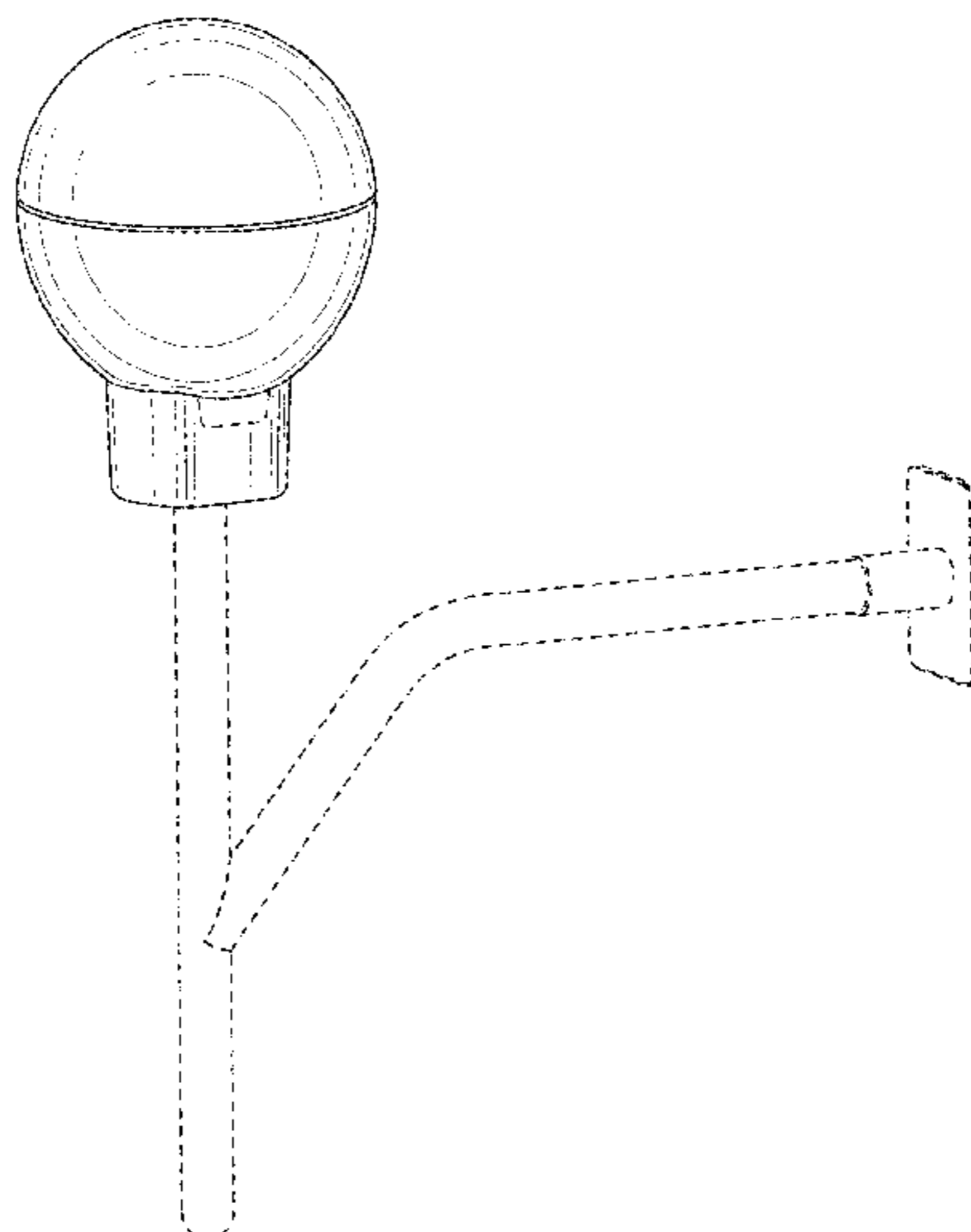
(57) **CLAIM**

The ornamental design for a terrestrial unit for connectivity to a balloon network, as shown and described.

DESCRIPTION

FIG. 1 is a terrestrial unit for connectivity to a balloon network in a perspective view;
FIG. 2 is a right side view thereof;
FIG. 3 is a left side view thereof;
FIG. 4 is a front view thereof;
FIG. 5 is a rear view thereof;
FIG. 6 is a top view thereof; and,
FIG. 7 is a bottom view thereof.
The broken lines illustrate portions of the drawings that form no part of the claimed design.

1 Claim, 7 Drawing Sheets



(56)

References Cited

U.S. PATENT DOCUMENTS

D387,771	S	*	12/1997	Martinson	D14/230
D401,593	S	*	11/1998	Nishimura	D14/230
D401,594	S	*	11/1998	Nishimura	D14/230
D421,439	S	*	3/2000	Giuntoli	D14/230
D617,319	S	*	6/2010	Maffetone	D14/230
D697,976	S	*	1/2014	Kurmlavage	D20/41
D752,027	S	*	3/2016	Yang	D14/230
D754,255	S	*	4/2016	Bigham	D20/41
D773,443	S	*	12/2016	Sano	D14/230
2016/0079680	A1	*	3/2016	Stottrup	H01Q 3/08 343/835
2016/0199250	A1	*	7/2016	Dills	A61H 23/0263 601/70

* cited by examiner

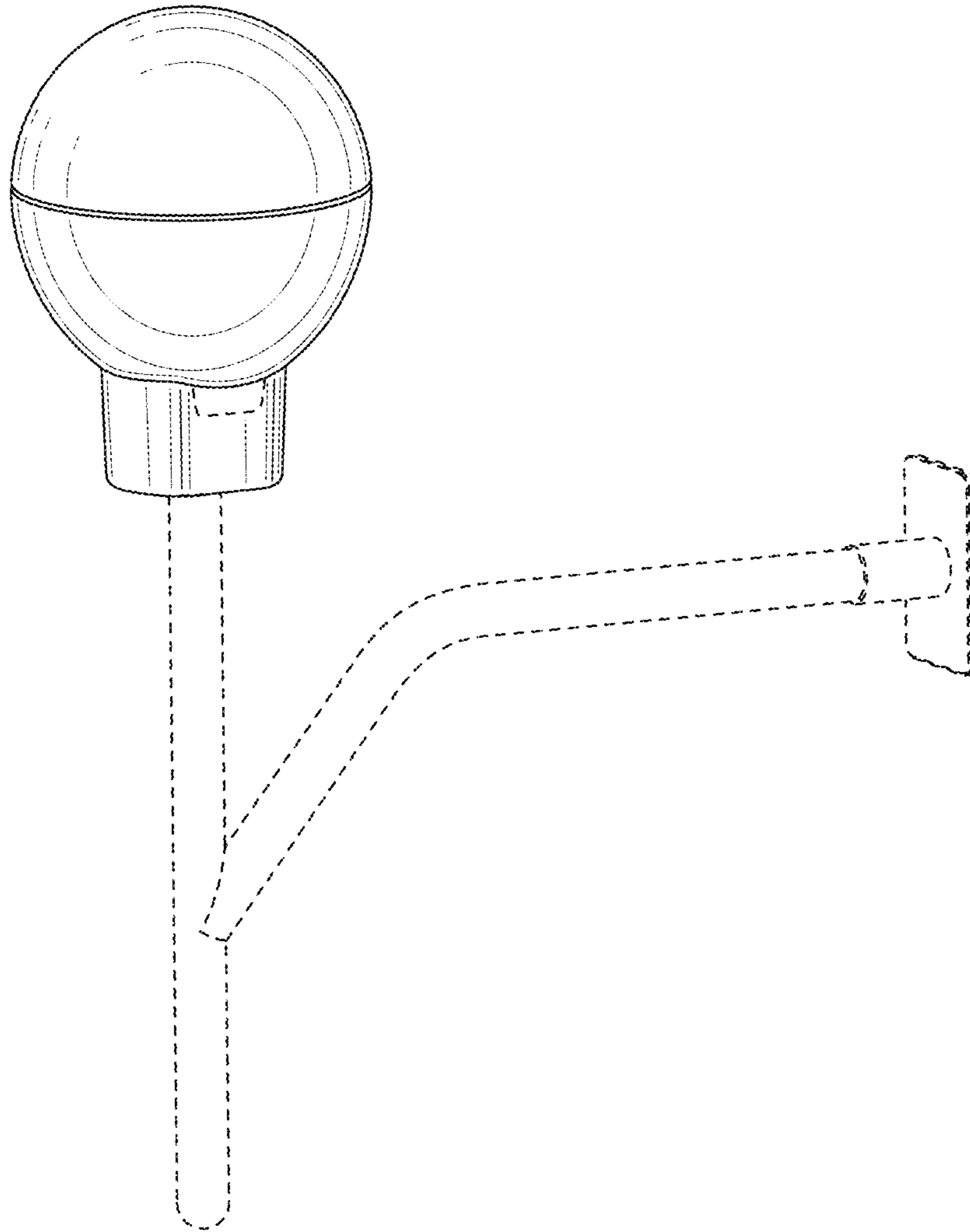


FIG. 1

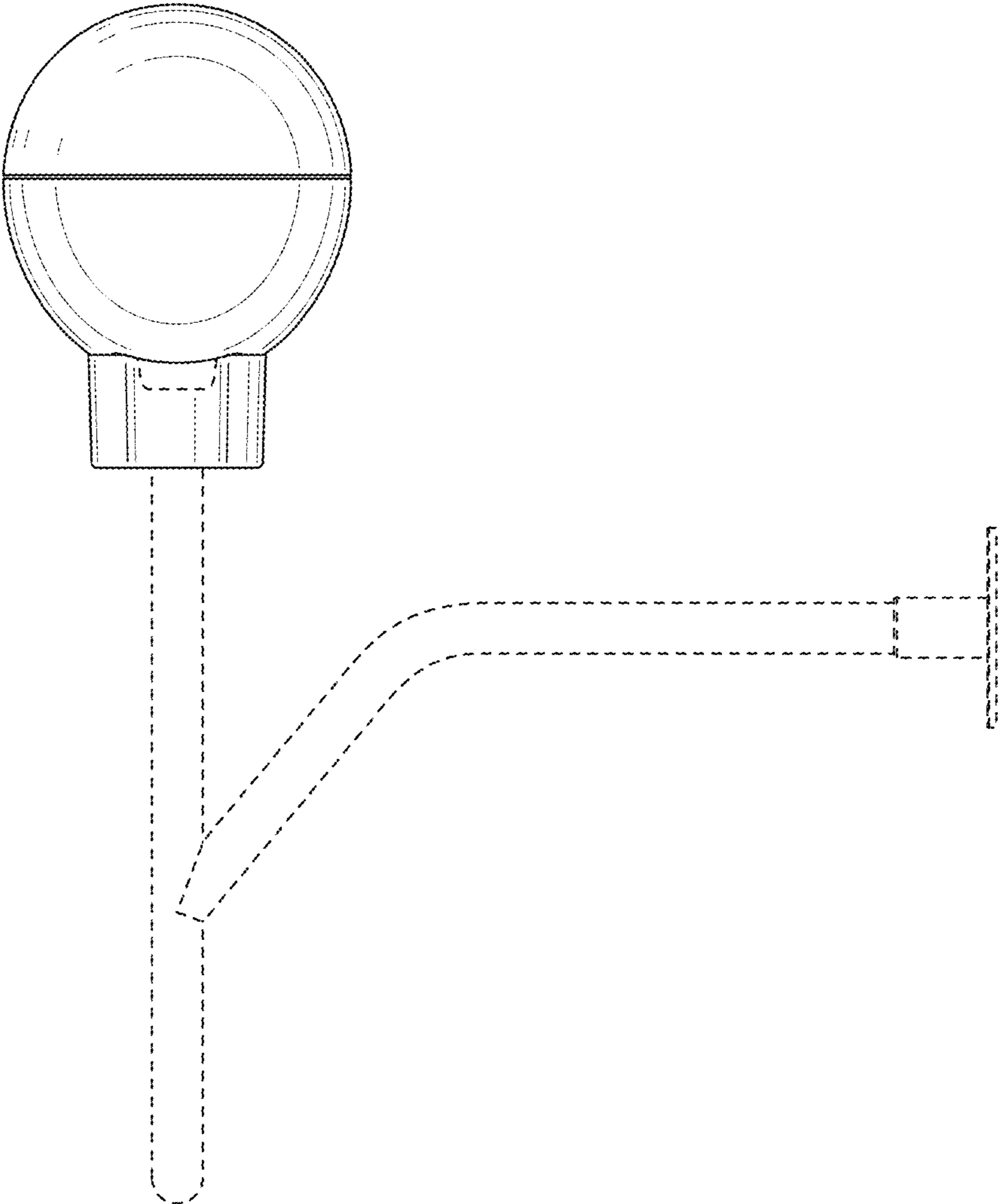


FIG. 2

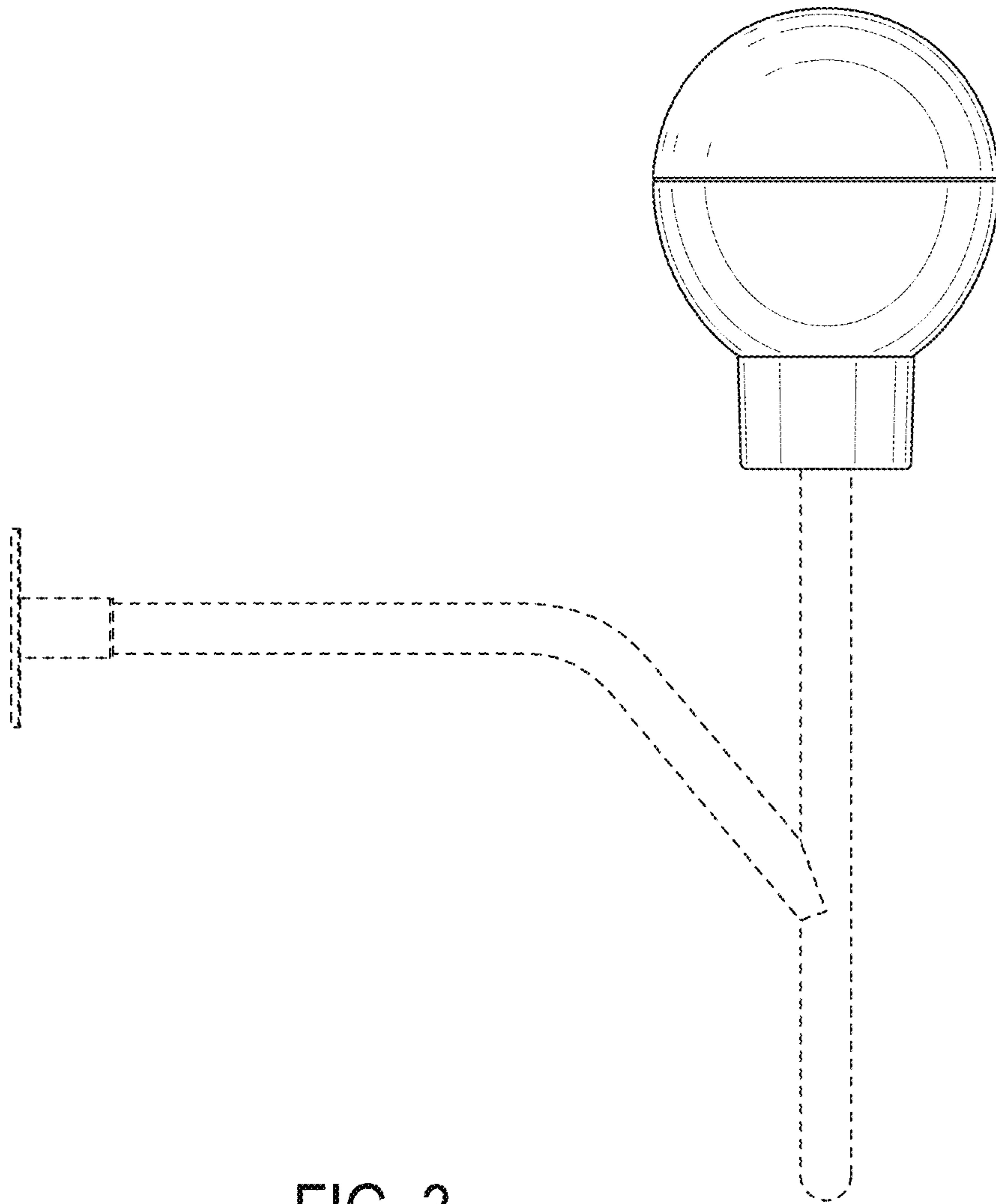


FIG. 3

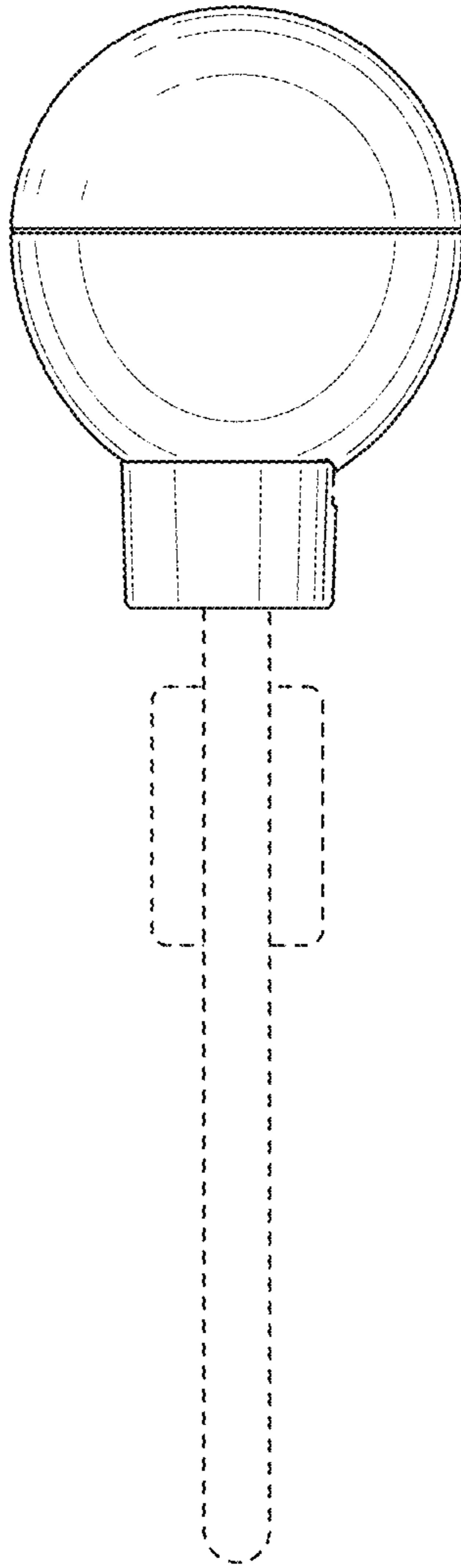


FIG. 4

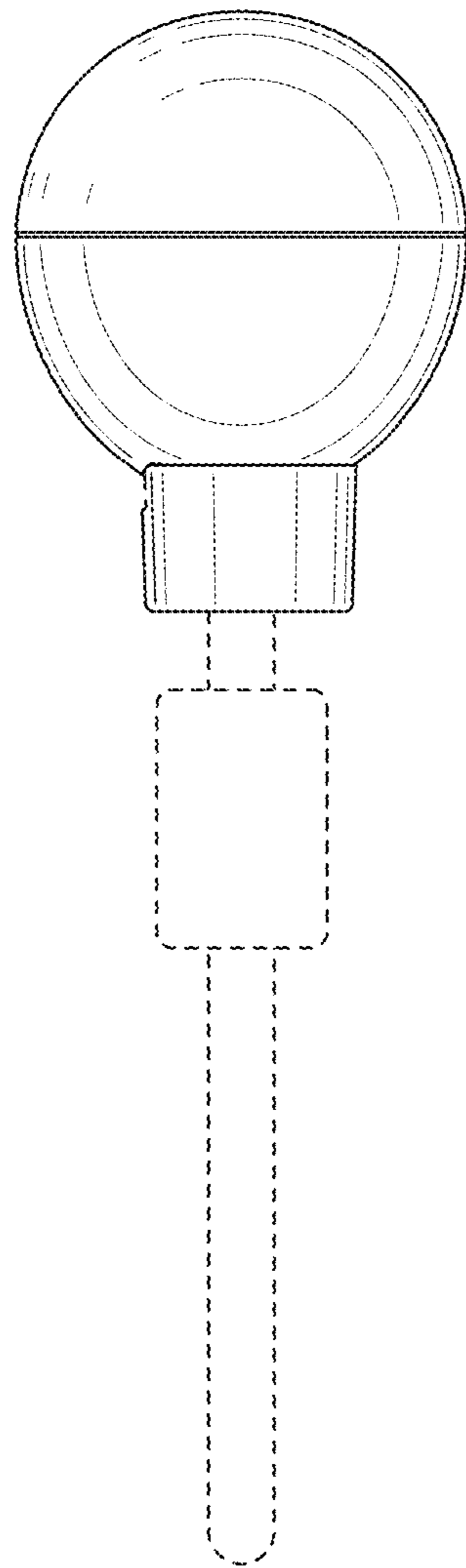


FIG. 5

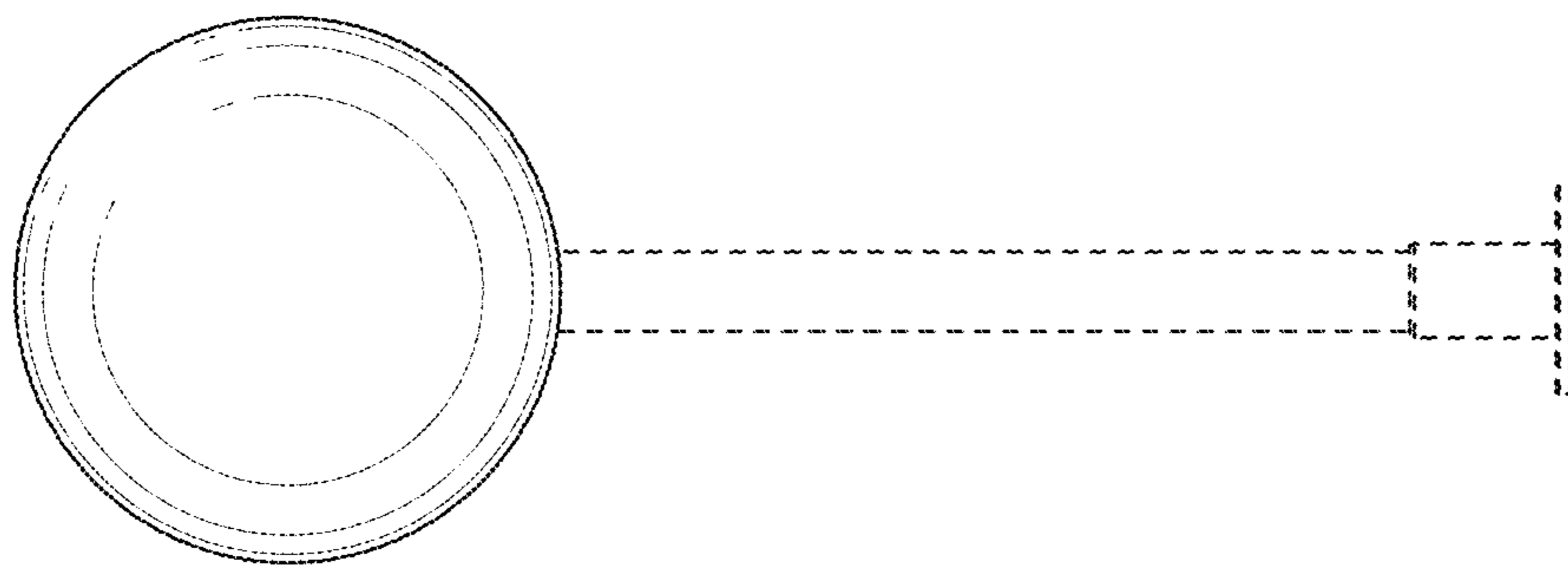


FIG. 6

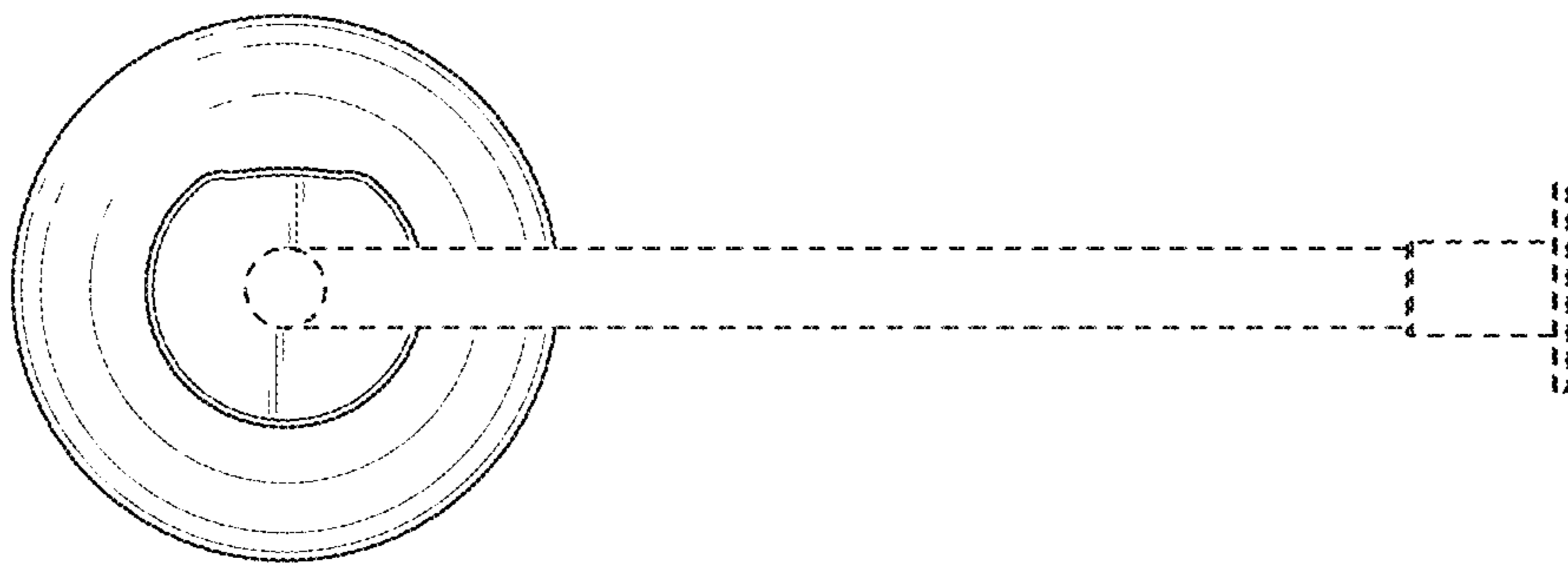


FIG. 7