

US00D790513S

(12) **United States Design Patent** (10) **Patent No.:** **US D790,513 S**
Brown et al. (45) **Date of Patent:** **** Jun. 27, 2017**

- (54) **INTEGRATED VOLUME AND BACK BUTTON ON A REMOTE CONTROL UNIT** 7,109,908 B2 * 9/2006 Griesau G08C 19/28 340/12.28
 7,154,428 B2 * 12/2006 de Clercq H01H 9/0235 341/174
- (71) Applicant: **CHARTER COMMUNICATION OPERATING, LLC**, St. Louis, MO (US)
 D549,185 S * 8/2007 Tan D13/168
 D549,666 S * 8/2007 Tan D13/168
 7,508,460 B1 * 3/2009 Gerstman H04N 5/4403 348/706
- (72) Inventors: **Peter Owen Brown**, Lakewood, CO (US); **Ian David Ruppert**, Denver, CO (US); **Thomas Chiang**, Denver, CO (US)
 D644,631 S * 9/2011 Lai D14/218
 D658,636 S * 5/2012 Maier D14/218
 D665,382 S * 8/2012 Kim D14/218
 D697,498 S * 1/2014 Forde D14/218
 D698,754 S * 2/2014 Vuillet D13/168
 8,769,598 B2 * 7/2014 Darbee G06F 3/147 348/734
- (73) Assignee: **CHARTER COMMUNICATION OPERATING, LLC**, St. Louis, MT (US)
 D724,568 S * 3/2015 Peh D14/218

(Continued)

(**) Term: **14 Years**

Primary Examiner — Ralf Seifert

(21) Appl. No.: **29/525,240**

(74) Attorney, Agent, or Firm — Meagher Emanuel Laks Goldberg & Liao, LLP

(22) Filed: **Apr. 28, 2015**

(57) **CLAIM**

(51) **LOC (10) Cl.** **14-03**

We claim the ornamental design for an integrated volume and back button on a remote control unit, as shown and described.

(52) **U.S. Cl.**

USPC **D14/218**

(58) **Field of Classification Search**

DESCRIPTION

USPC D14/137, 174, 217–218, 240, 247, D14/388–390, 396, 511; D21/516; D13/162–164, 168; 715/738; 434/350; 600/323; 348/211.99, 14.05, 114, 734; 341/175–176; 455/575.1

CPC G08C 23/04; G08C 19/12; G08C 19/28; H04N 5/44; H04L 17/02

See application file for complete search history.

FIG. 1 is a top view of a remote control unit including the integrated volume and back button;
 FIG. 2 is a bottom view thereof;
 FIG. 3 is a left side view thereof;
 FIG. 4 is a right side view thereof;
 FIG. 5 is a rear view thereof;
 FIG. 6 is front view thereof; and,
 FIG. 7 is top view of an integrated volume and back button on a remote control unit showing a second embodiment of our new design.

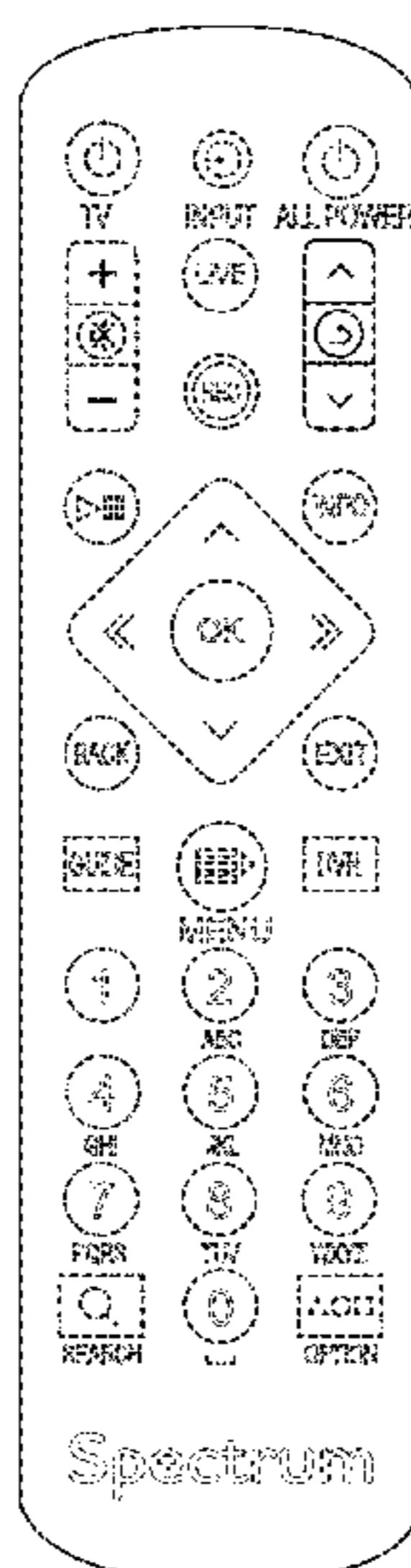
The broken line showings of the remote control unit are for the purposes of illustrating environmental structure and form no part of the claimed design.

(56) **References Cited**

U.S. PATENT DOCUMENTS

- D329,238 S * 9/1992 Grasso D14/218
 D359,737 S * 6/1995 Madill D14/218
 D416,021 S * 11/1999 Godette D14/218
 D499,395 S * 12/2004 Hsu D14/218
 D504,677 S * 5/2005 Kaminski D14/218

1 Claim, 4 Drawing Sheets



(56)

References Cited

U.S. PATENT DOCUMENTS

D753,071 S	*	4/2016	Choi	D13/174
D756,333 S	*	5/2016	Smith	D13/168
D761,232 S	*	7/2016	Smith	D13/168

* cited by examiner

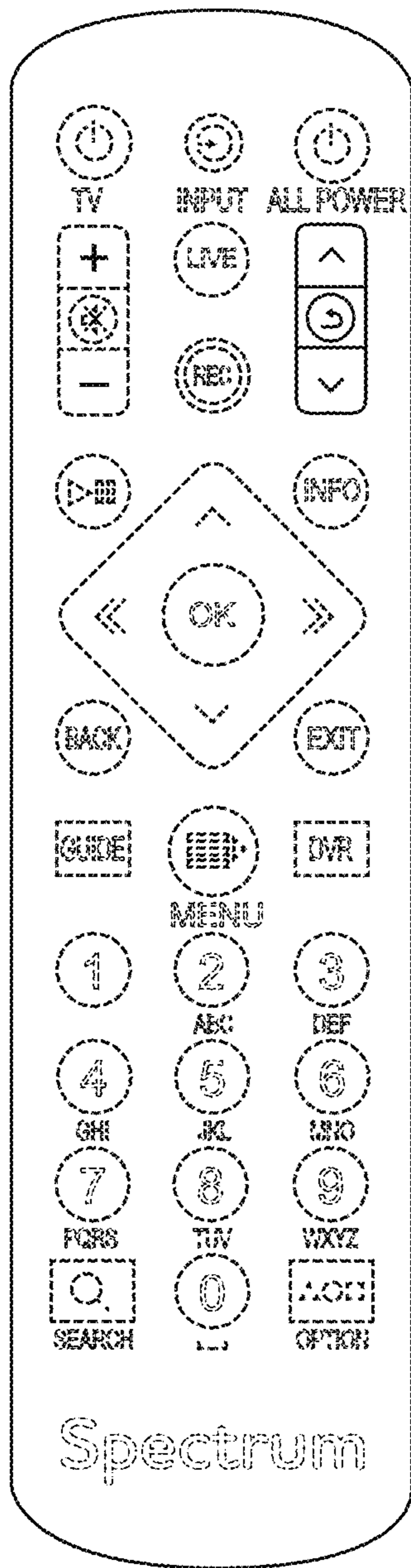


FIG. 1

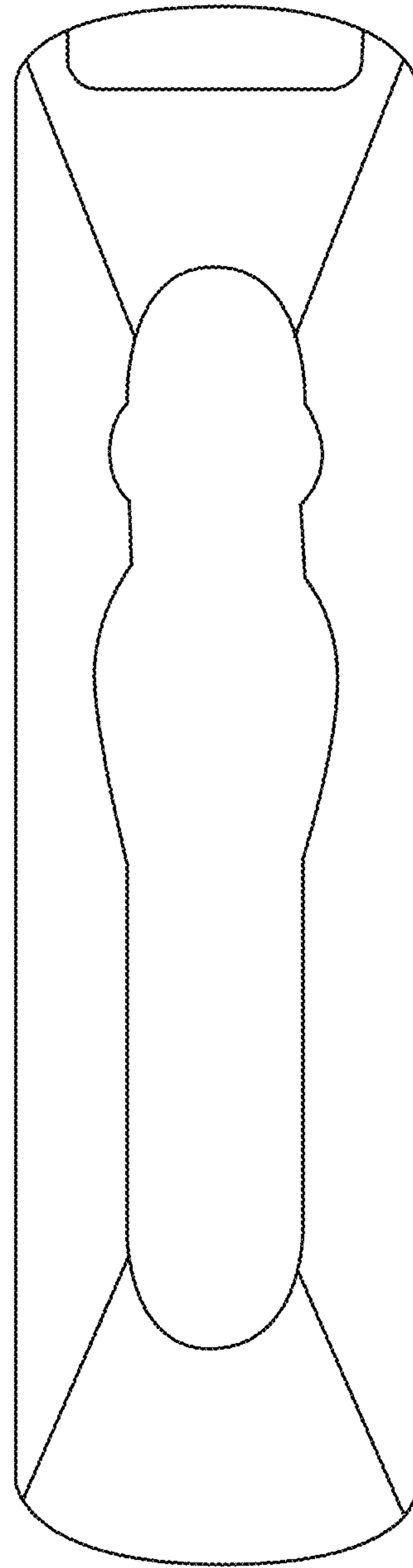


FIG. 2

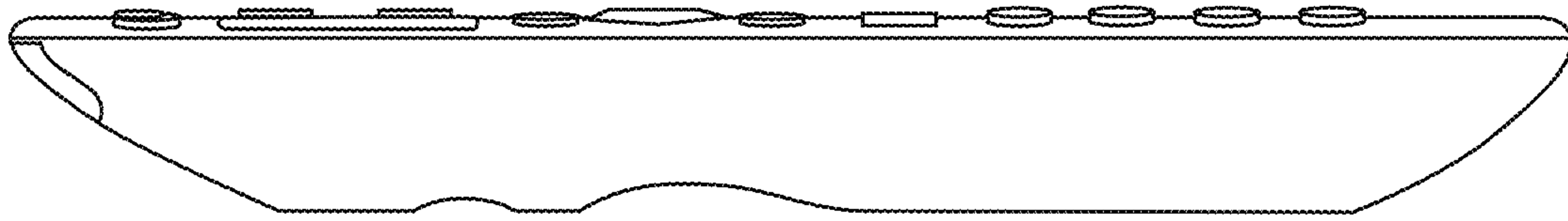


FIG. 3

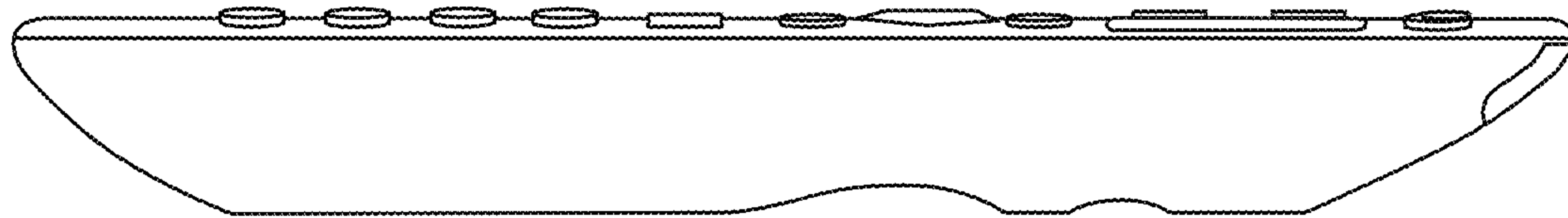


FIG. 4

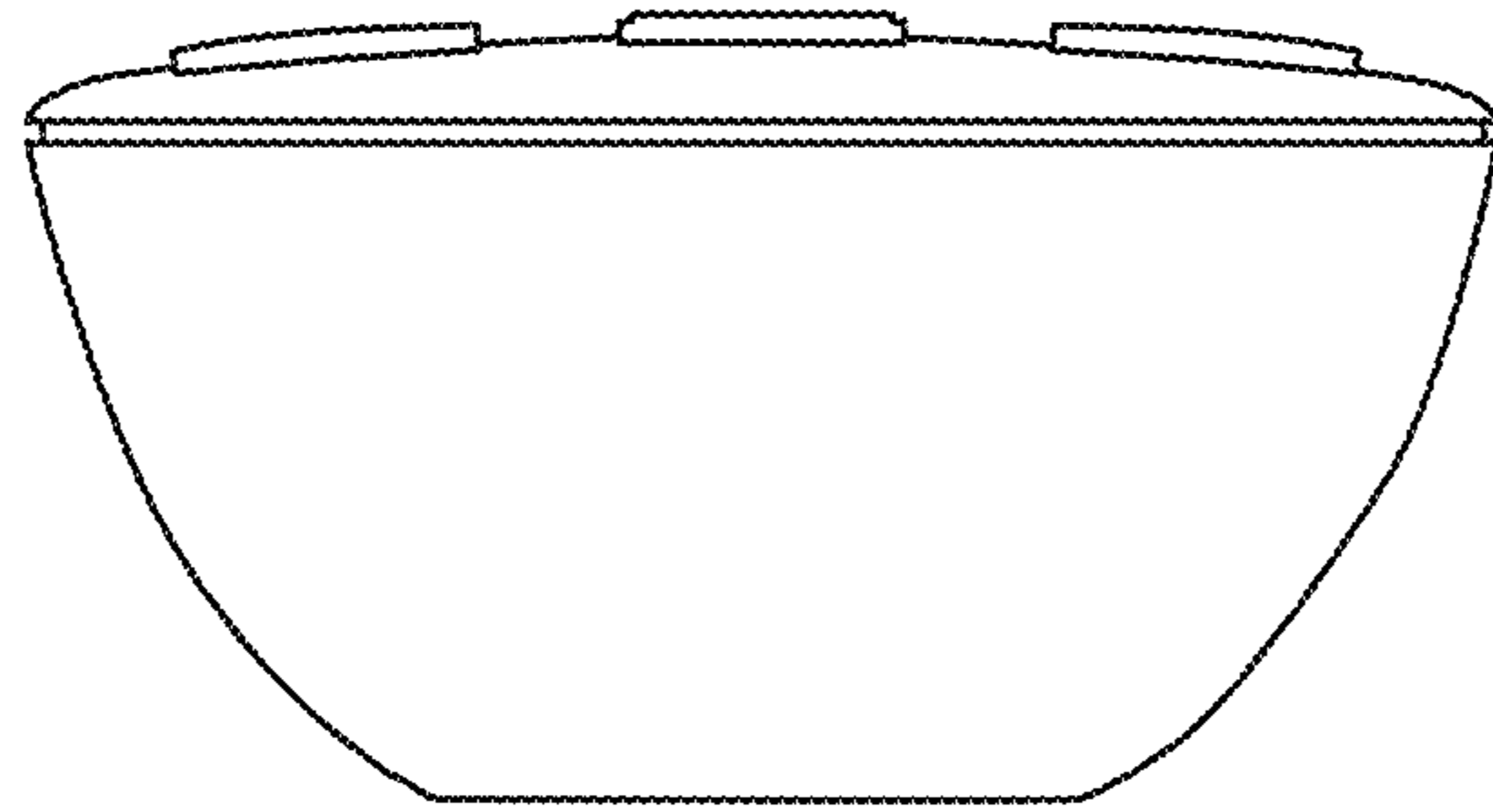


FIG. 5

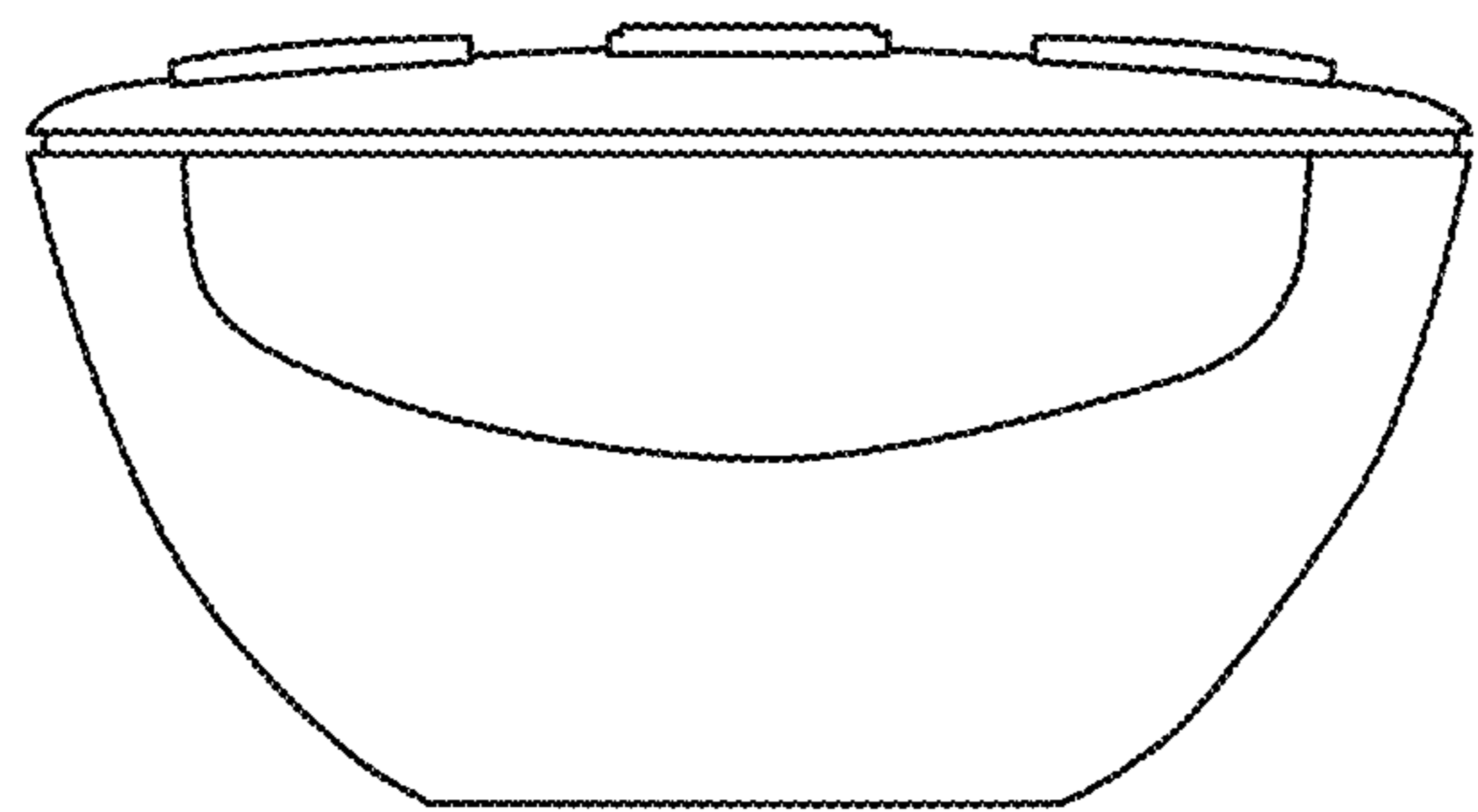


FIG. 6

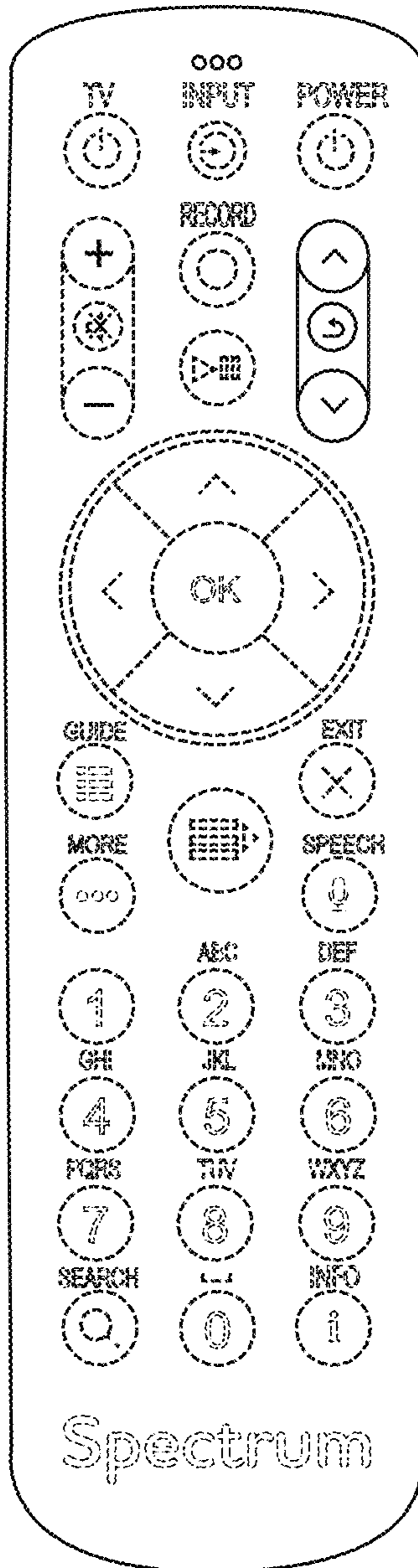


FIG. 7