



US00D790512S

(12) **United States Design Patent** (10) **Patent No.:** **US D790,512 S**
Lee (45) **Date of Patent:** **** Jun. 27, 2017**

(54) **PORTABLE ELECTRONICS CONTAINER**

D717,804 S * 11/2014 Budge D14/447
D765,037 S * 8/2016 Hebert D13/156
2013/0175426 A1* 7/2013 Harjani F16M 11/041
248/688

(71) Applicant: **Coonix, Inc.**, City of Industry, CA (US)

(72) Inventor: **Edward Lee**, City of Industry, CA (US)

* cited by examiner

(73) Assignee: **COONIX, INC.**, City of Industry, CA (US)

Primary Examiner — Ian Simmons
Assistant Examiner — Khawaja Anwar

(**) Term: **15 Years**

(74) *Attorney, Agent, or Firm* — Loza & Loza, LLP;
George G. C. Tseng

(21) Appl. No.: **29/552,997**

(57) **CLAIM**

(22) Filed: **Jan. 27, 2016**

The ornamental design for a portable electronics container, as shown and described.

(51) **LOC (10) Cl.** **14-03**

DESCRIPTION

(52) **U.S. Cl.**

USPC **D14/217**

(58) **Field of Classification Search**

USPC D13/149, 154, 137.4, 139.8, 139.9, 133,
D13/156, 184, 199; D14/217, 299, 432,
D14/433, 434, 240, 137, 188, 192–198,
D14/221, 218, 222; D9/414, 415, 430
CPC A61M 2205/3389; A61M 1/3627; A61M
1/14; A61M 1/1603; A61M 1/1668;
A61M 2205/123; A61M 2205/3317;
A61M 2205/3368

See application file for complete search history.

FIG. 1 is a top perspective view of a portable electronics container, showing the new design;
FIG. 2 is a bottom perspective view of the portable electronics container of FIG. 1;
FIG. 3 is a top plan view of the portable electronics container of FIG. 1;
FIG. 4 is a bottom plan view of the portable electronics container of FIG. 1;
FIG. 5 is a front elevation view of the portable electronics container of FIG. 1; and,
FIG. 6 is a left side elevation view of the portable electronics container of FIG. 1.

(56) **References Cited**

U.S. PATENT DOCUMENTS

D413,021 S * 8/1999 Wheatley D10/104.1
D431,230 S * 9/2000 Began D13/184
D480,071 S * 9/2003 Lum D14/217
D503,393 S * 3/2005 Naito D14/217
D550,172 S * 9/2007 Aguilar D13/184
D613,697 S * 4/2010 Symons D13/149

The rear elevation view of the portable electronics container of FIG. 1, opposite the front elevation view shown in FIG. 6, is a mirror image, and therefore, not shown in the drawings.

The right side elevation view of the portable electronics container of FIG. 1, opposite the view shown in FIG. 6, is a mirror image, and therefore, not shown in the drawings.

1 Claim, 6 Drawing Sheets

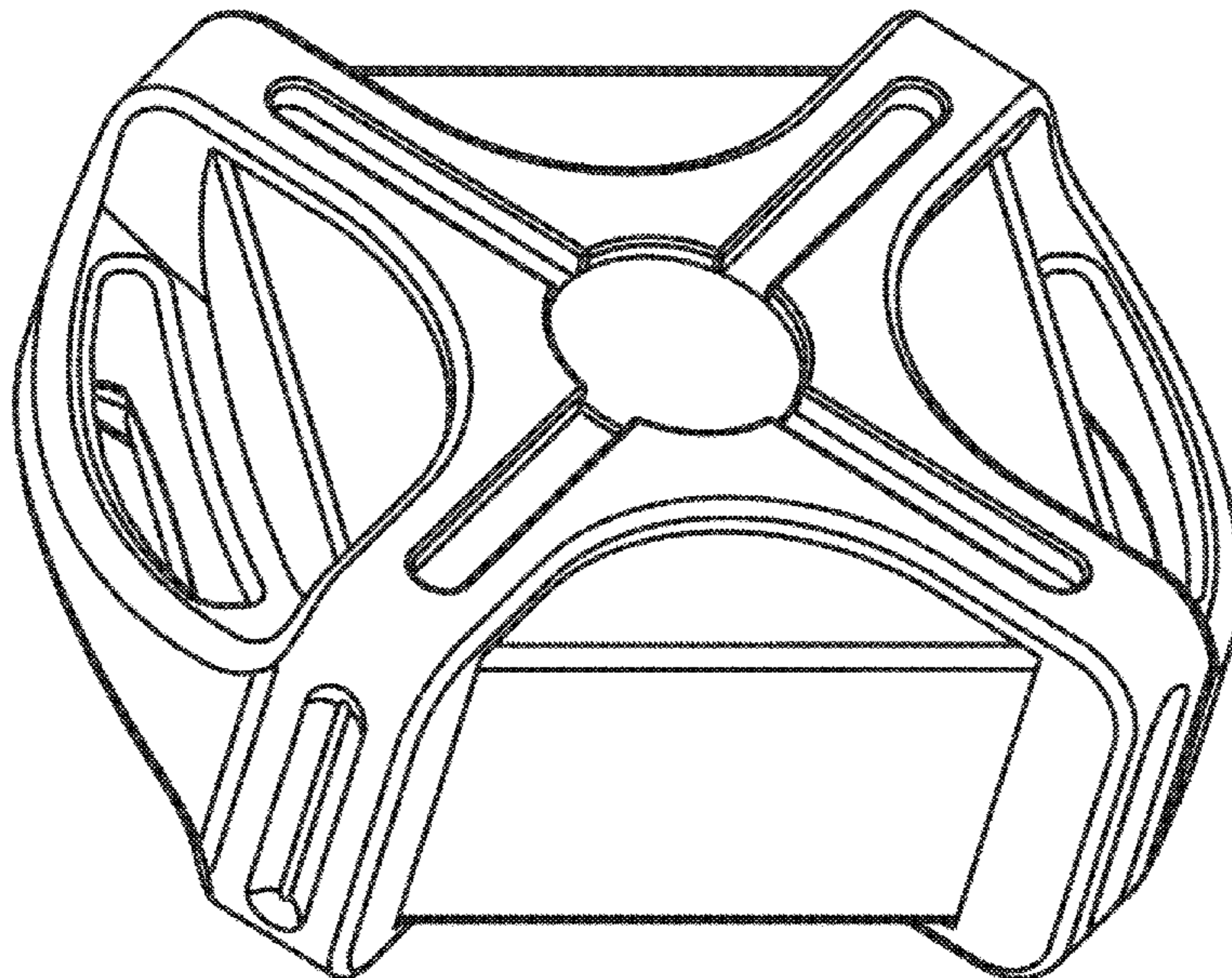


FIG. 1

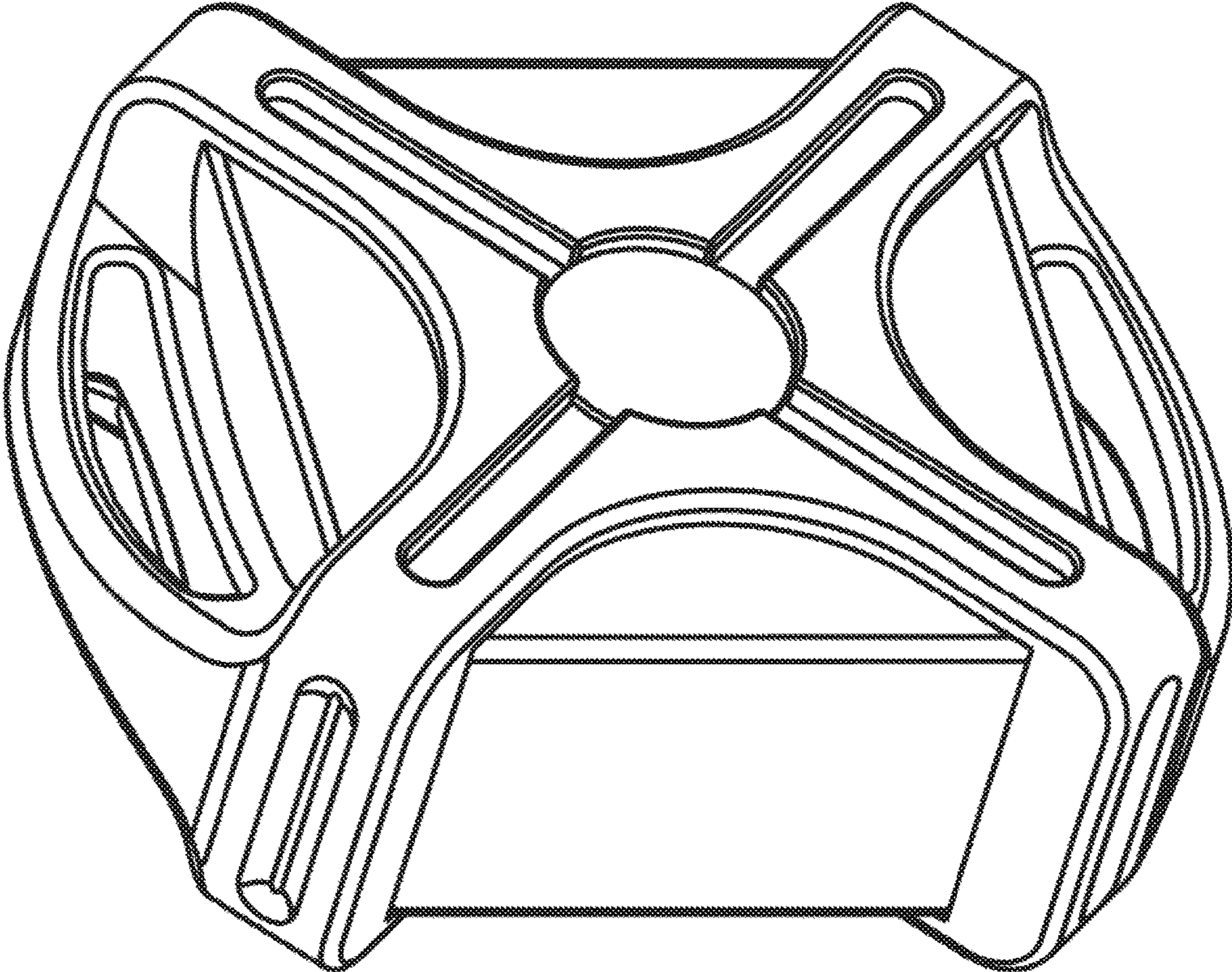


FIG. 2

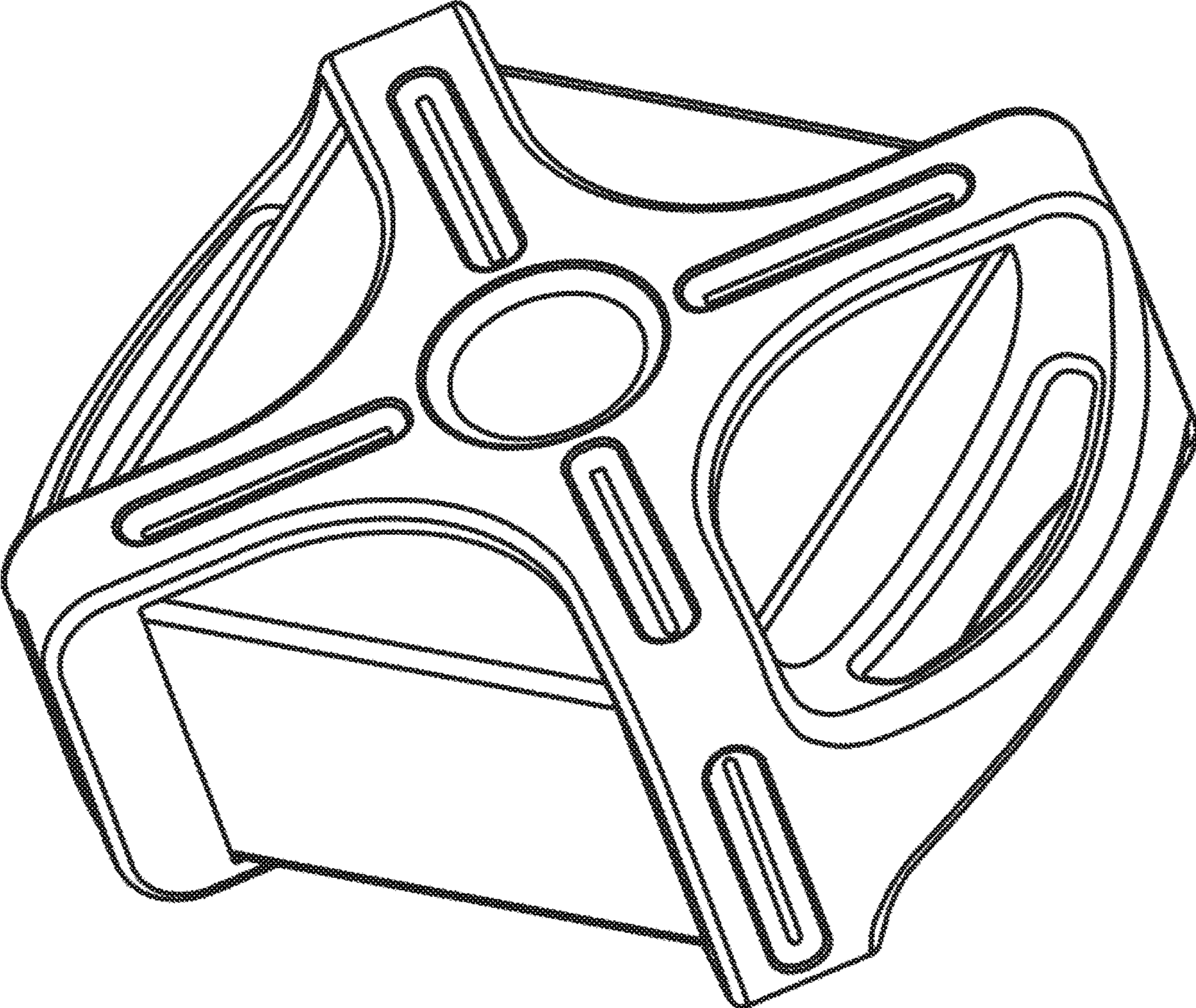


FIG. 3

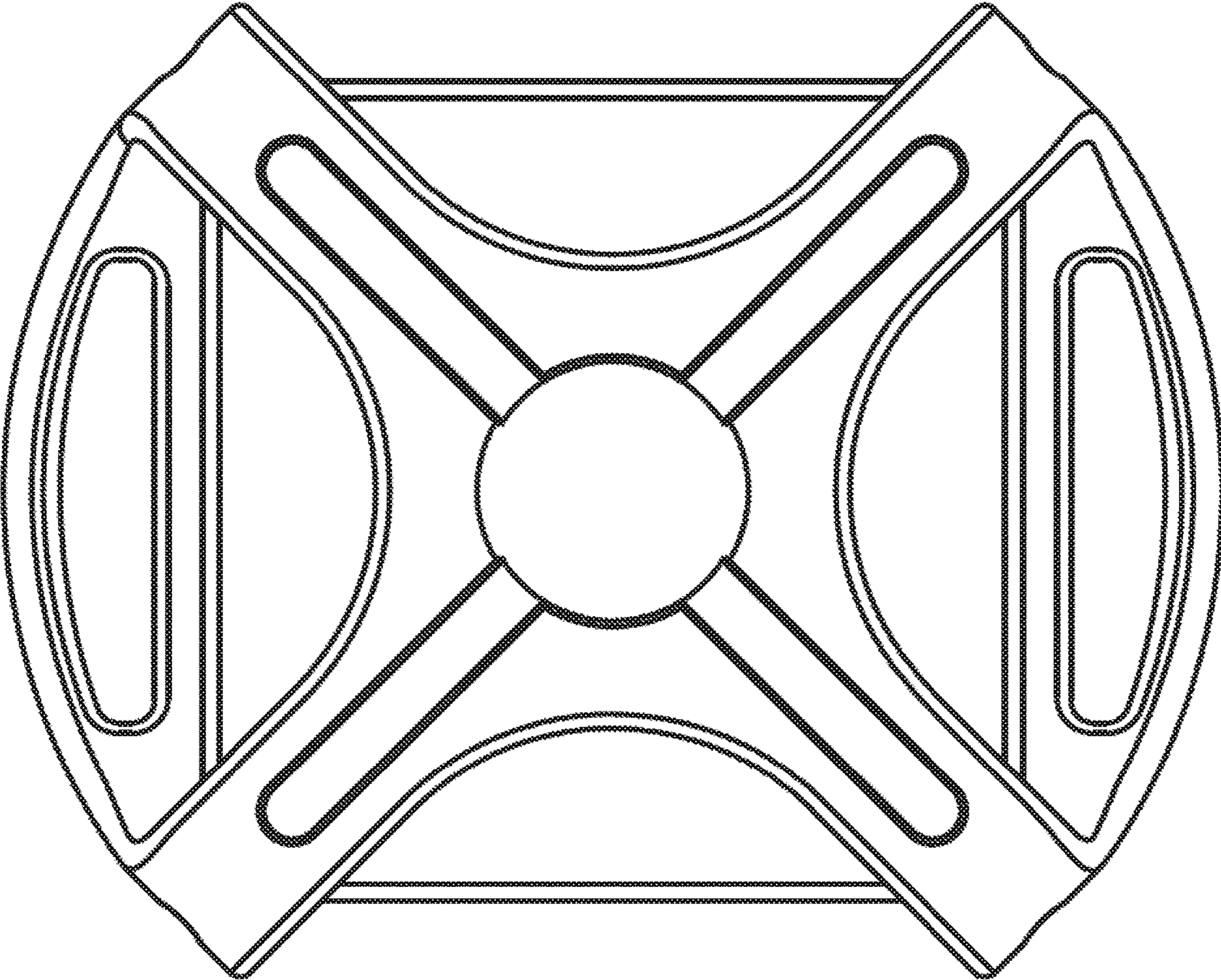


FIG. 4

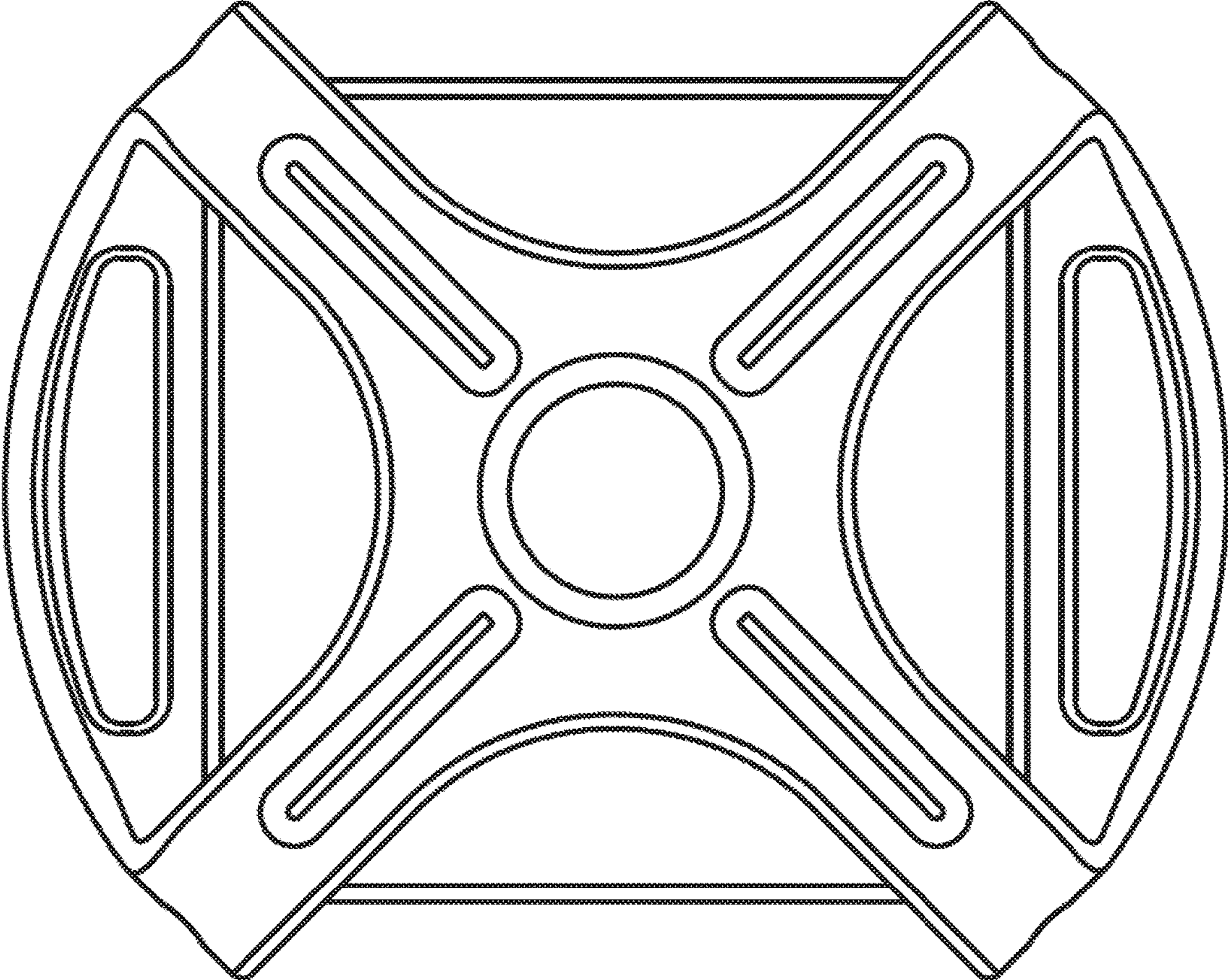


FIG. 5



FIG. 6

