



US00D790511S

(12) **United States Design Patent**  
**Liu et al.**

(10) **Patent No.:** **US D790,511 S**  
(45) **Date of Patent:** **\*\* Jun. 27, 2017**

(54) **HORIZONTAL SOUND BOX**

(71) Applicant: **Qingdao Gren Technology Co., Ltd.**,  
Qingdao, Shandong (CN)

(72) Inventors: **Rong Liu**, Shandong (CN); **Jian Zhang**, Shandong (CN)

(73) Assignee: **QINGDAO GREN TECHNOLOGY CO., LTD.**, Qingdao (CN)

(\*\*) Term: **15 Years**

(21) Appl. No.: **29/556,601**

(22) Filed: **Mar. 2, 2016**

(30) **Foreign Application Priority Data**

Sep. 9, 2015 (CN) ..... 2015 3 0345500

(51) **LOC (10) Cl.** ..... **14-01**

(52) **U.S. Cl.**  
USPC ..... **D14/216**; D14/204; D14/210; D14/211;  
D14/215

(58) **Field of Classification Search**

USPC ..... D14/168, 188, 194, 195, 196, 204, 210,  
D14/211, 212, 213, 214, 215, 216  
CPC ..... B60R 11/0217; G06F 1/1688; G10K 9/22;  
G10K 11/004; H03F 1/327; H04M 1/03;  
H04M 1/035; H04N 5/642; H04N  
21/4852; H04S 3/00; H04S 7/30; H04R  
1/02; H04R 1/06; H04R 1/021; H04R  
1/025; H04R 1/026; H04R 1/028; H04R  
1/105; H04R 1/323; H04R 1/403; H04R  
1/2803; H04R 1/2834; H04R 5/02; H04R  
7/20; H04R 9/06; H04R 9/025; H04R  
2201/021; H04R 2400/00; H04R 2400/07;  
H04R 2499/11; H04R 2499/13; H04R  
2499/15

See application file for complete search history.

(56) **References Cited**

U.S. PATENT DOCUMENTS

D440,557 S *	4/2001	Su .....	D14/215
D502,934 S *	3/2005	Rose .....	D14/168
D515,556 S *	2/2006	Allen .....	D14/215
D547,746 S *	7/2007	Allen .....	D14/211
D561,741 S *	2/2008	Huang .....	D14/214
D581,392 S *	11/2008	Zheng .....	D14/168
D582,394 S *	12/2008	Hong .....	D14/216
D586,785 S *	2/2009	Kim .....	D14/215
D642,159 S *	7/2011	Joseph .....	D14/215
D681,010 S *	4/2013	Cho .....	D14/215
D689,845 S *	9/2013	Nylen .....	D14/215
D730,323 S *	5/2015	Brunner .....	D14/216
D733,098 S *	6/2015	Takamoto .....	D14/215

\* cited by examiner

*Primary Examiner* — Keli L Hill

*Assistant Examiner* — Karra S Johnson

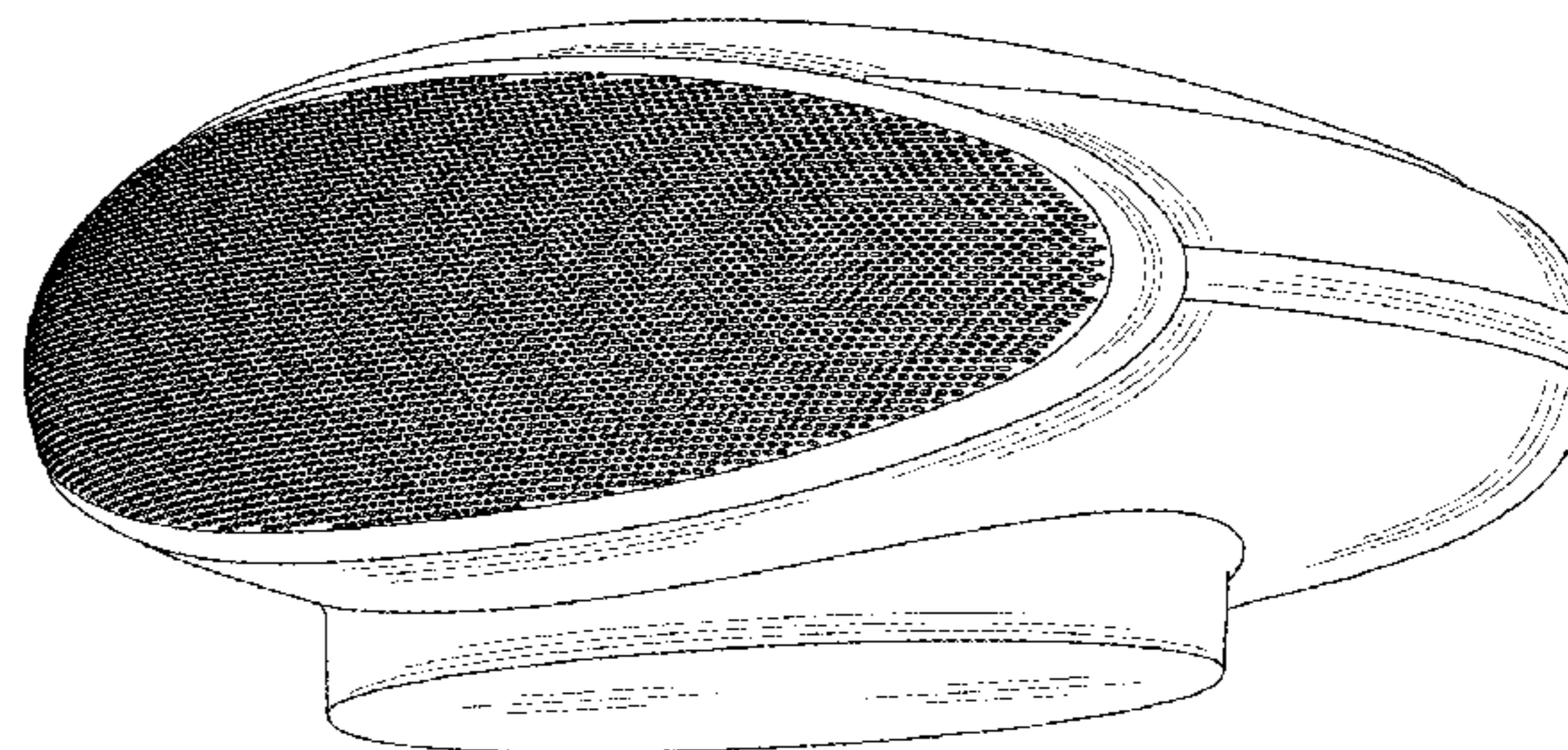
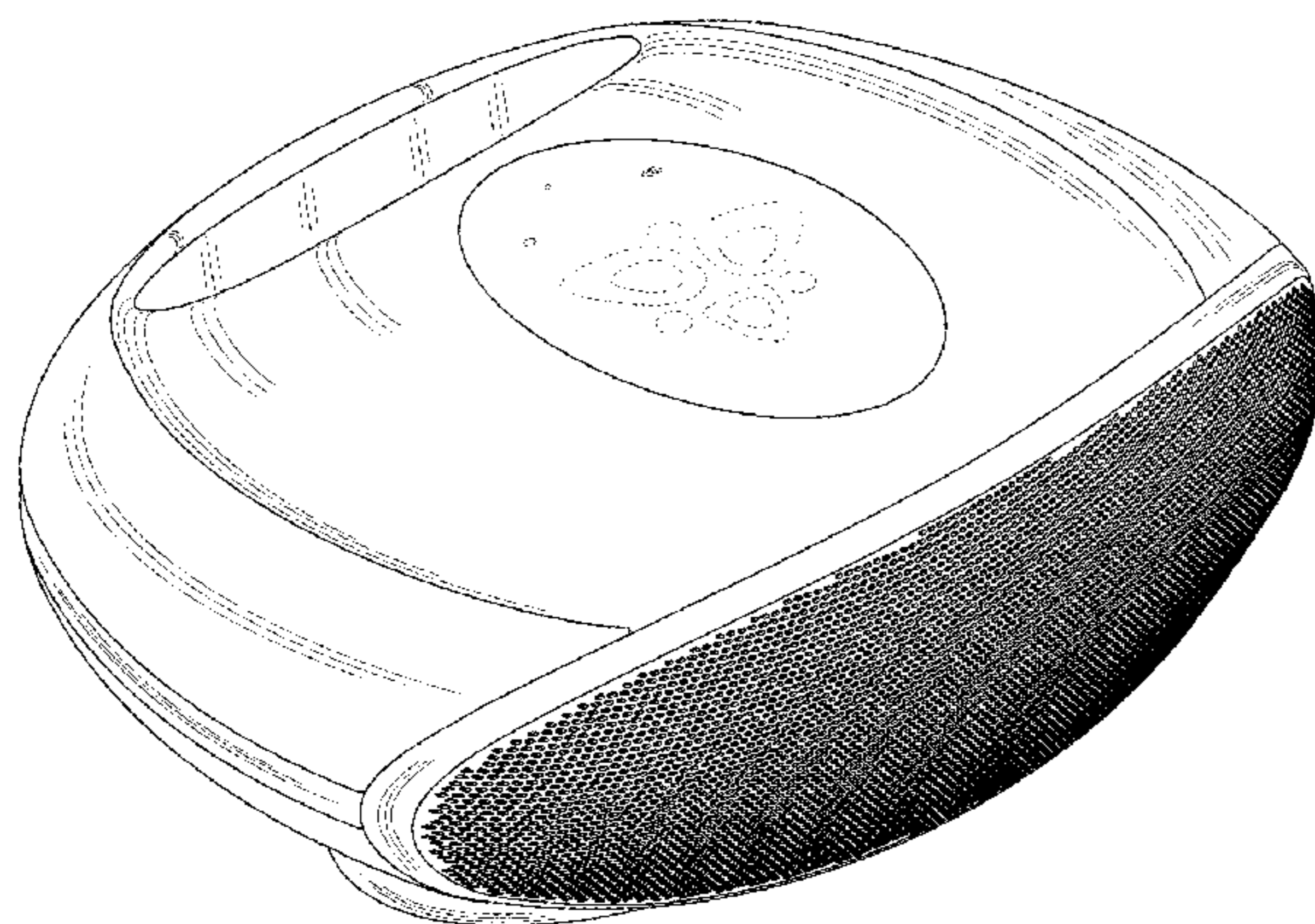
(57) **CLAIM**

The ornamental design for a horizontal sound box, as shown and described.

**DESCRIPTION**

FIG. 1 is a front elevational view of a horizontal sound box showing our new design;  
FIG. 2 is a rear elevational view thereof;  
FIG. 3 is a left side view thereof;  
FIG. 4 is a right side view thereof;  
FIG. 5 is a top plan view thereof;  
FIG. 6 is a bottom plan view thereof;  
FIG. 7 is a first perspective view thereof;  
FIG. 8 is a second perspective view thereof; and,  
FIG. 9 is a third perspective view thereof.  
The broken lines showing features of the horizontal sound box form no part of the claimed design.

**1 Claim, 9 Drawing Sheets**



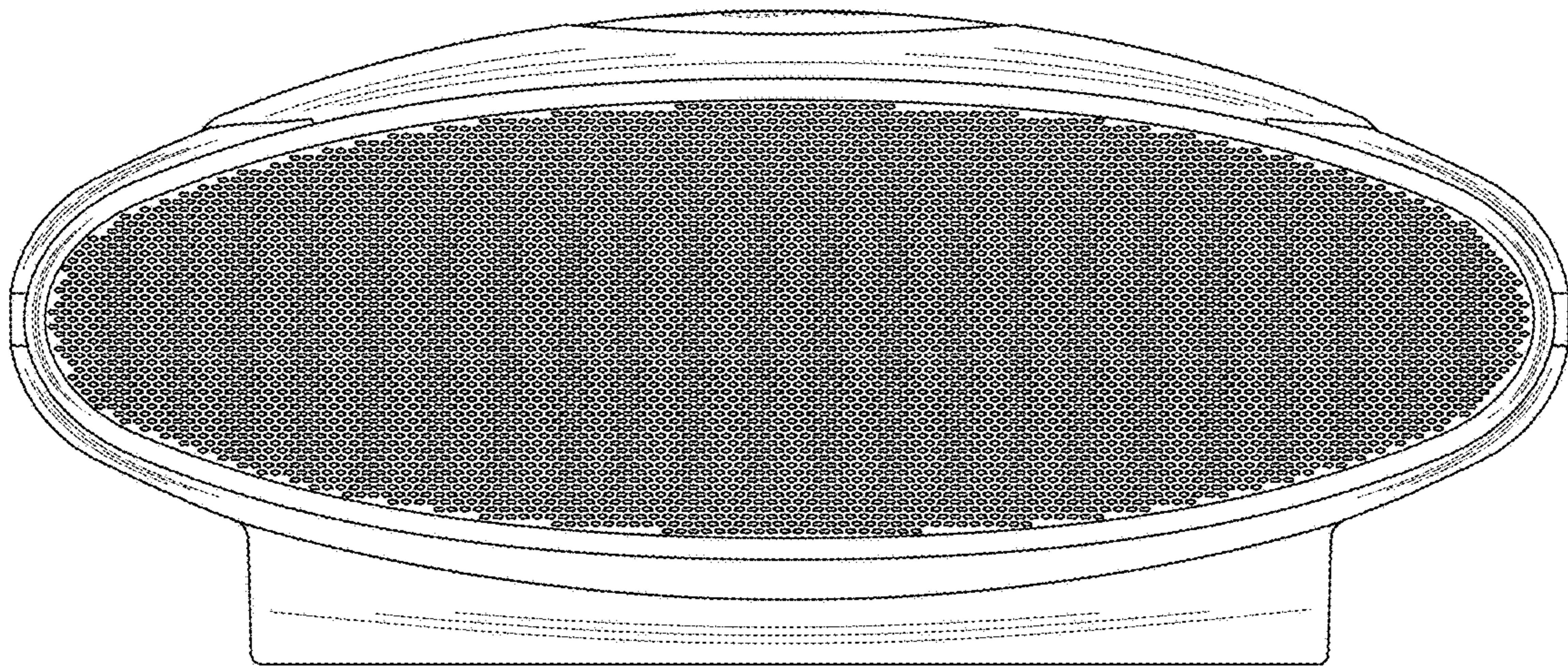


Fig. 1

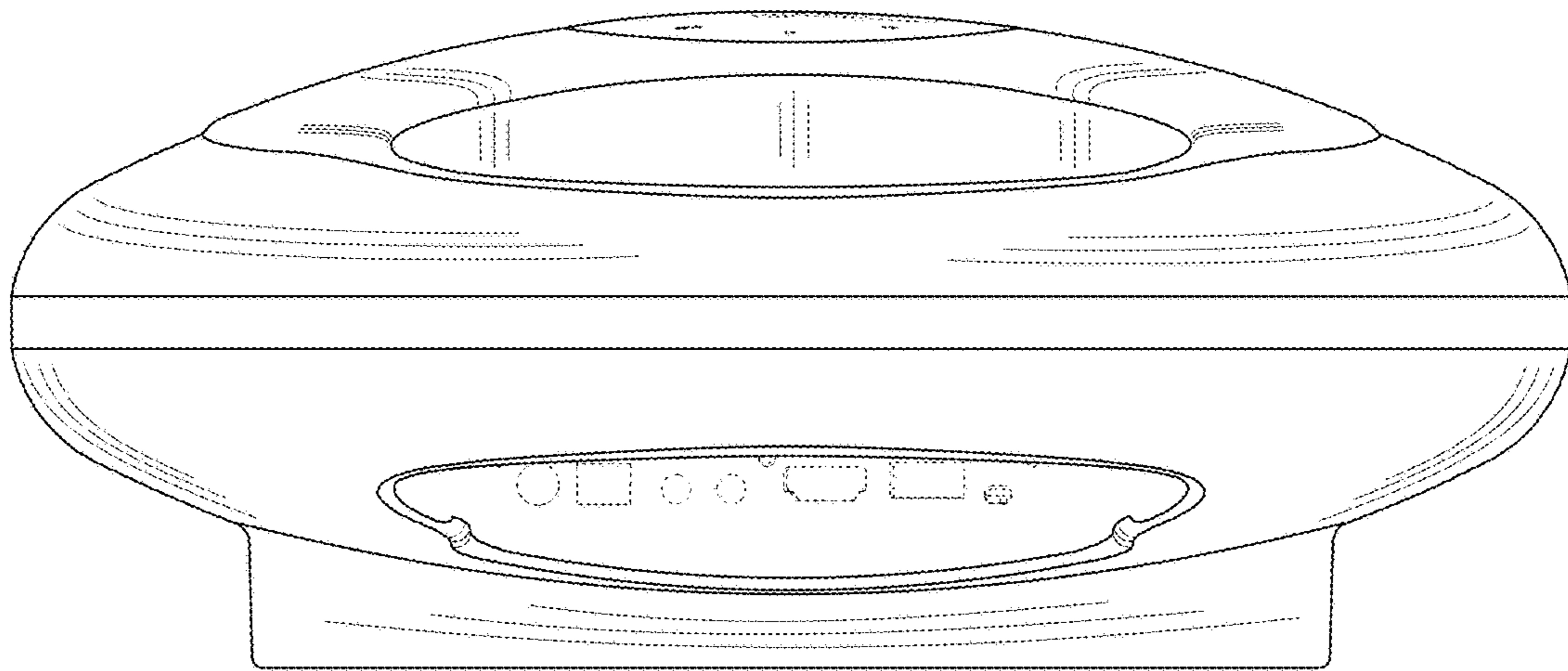


Fig. 2

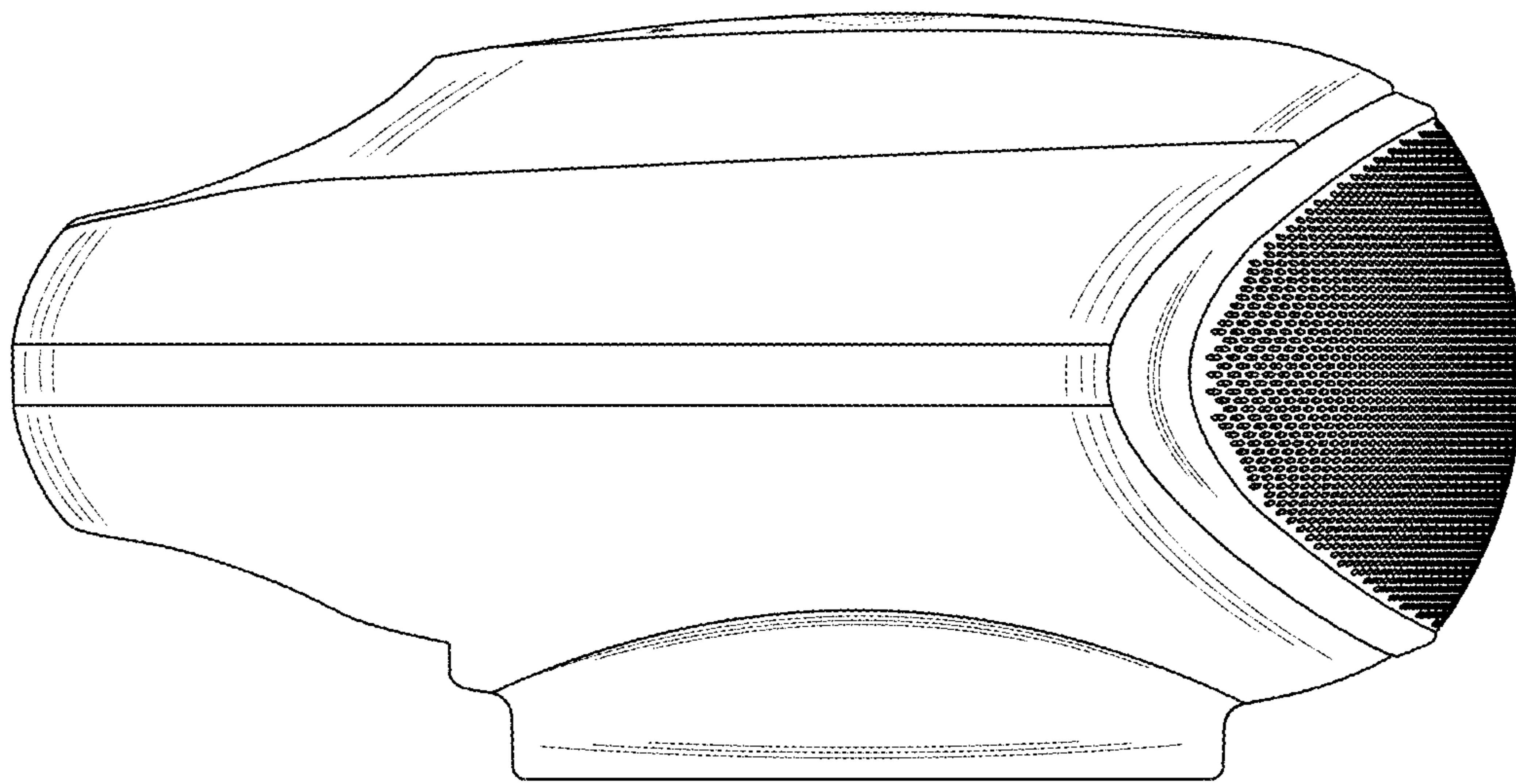


Fig. 3

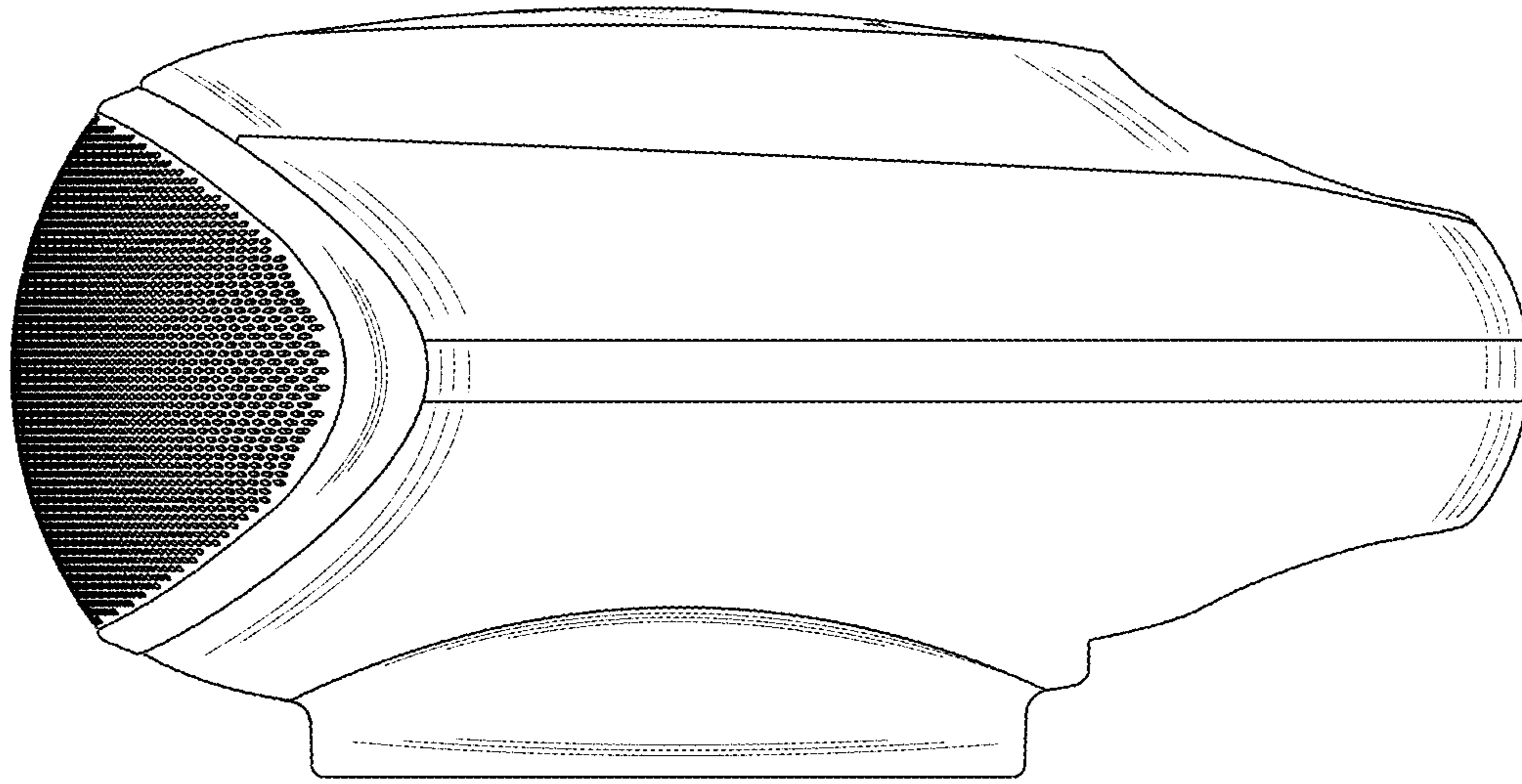


Fig. 4

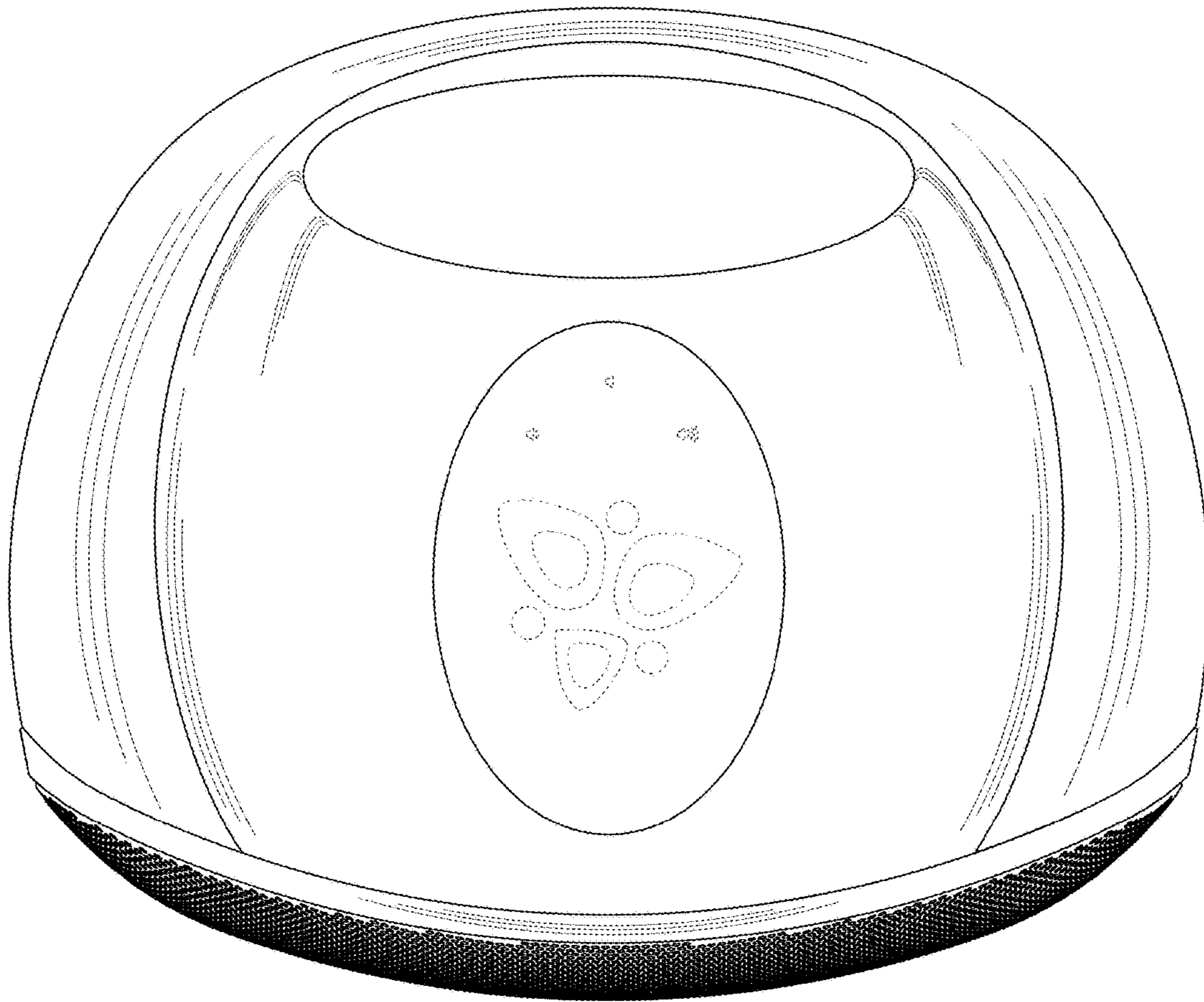


Fig. 5

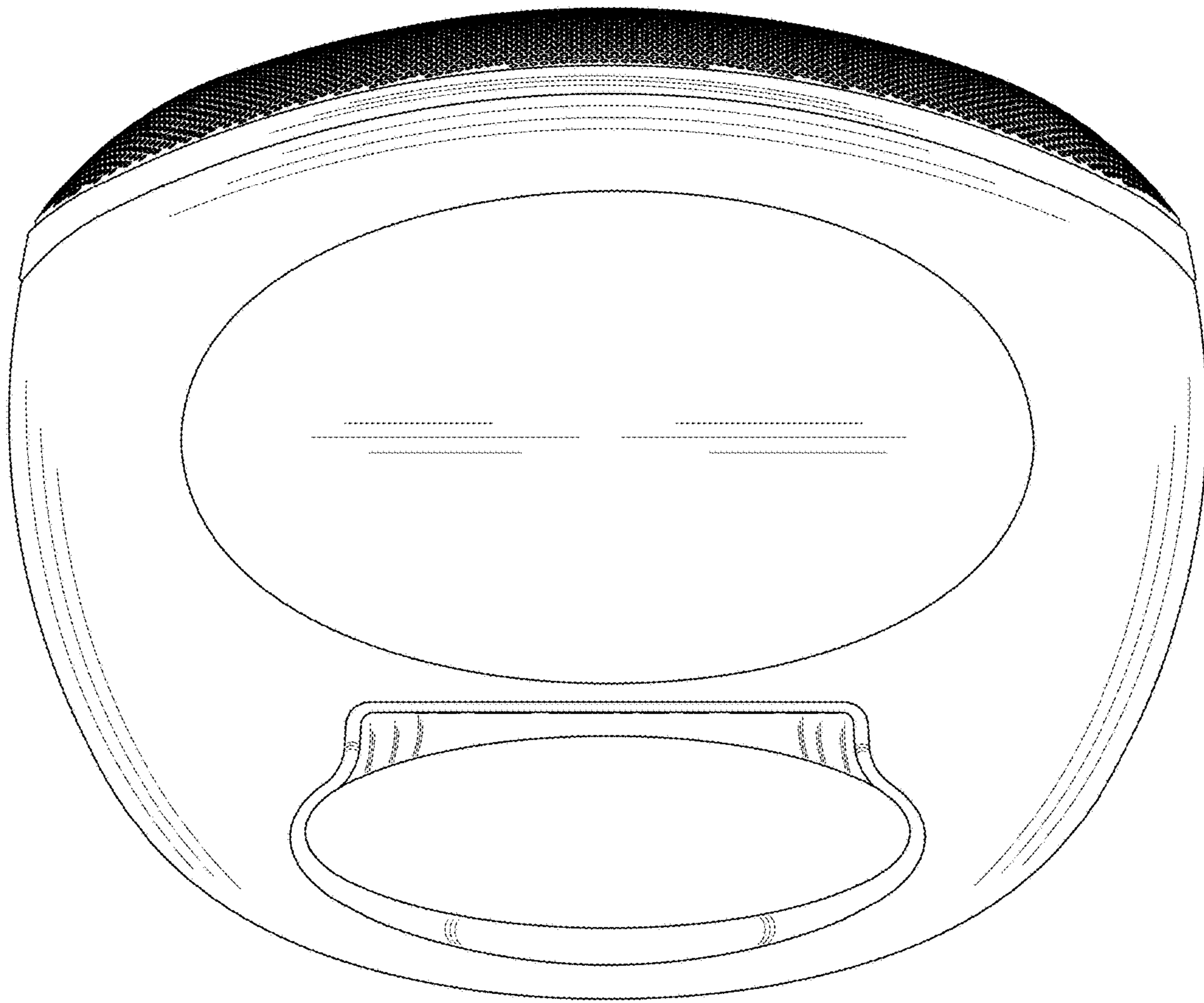


Fig. 6

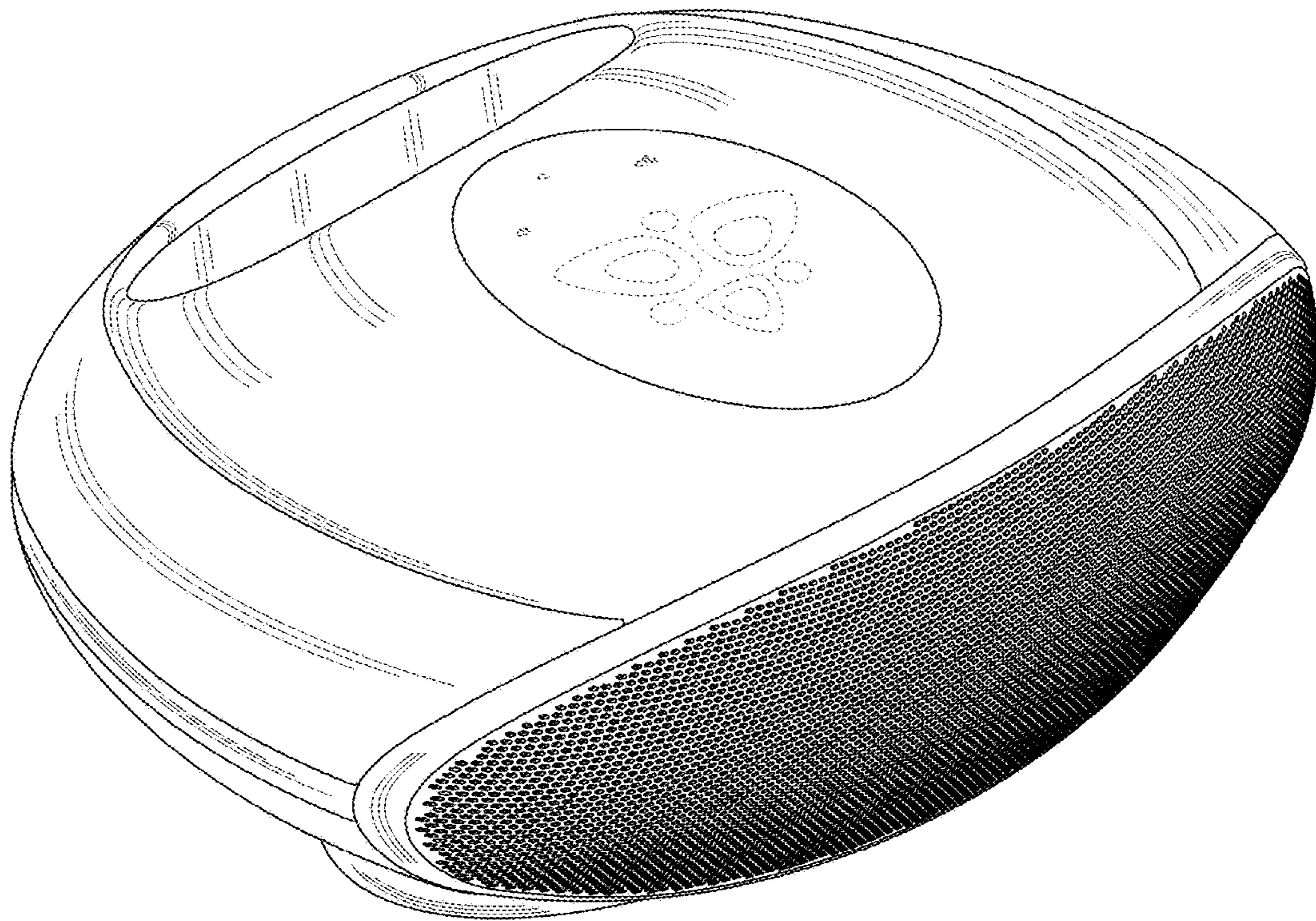


Fig. 7



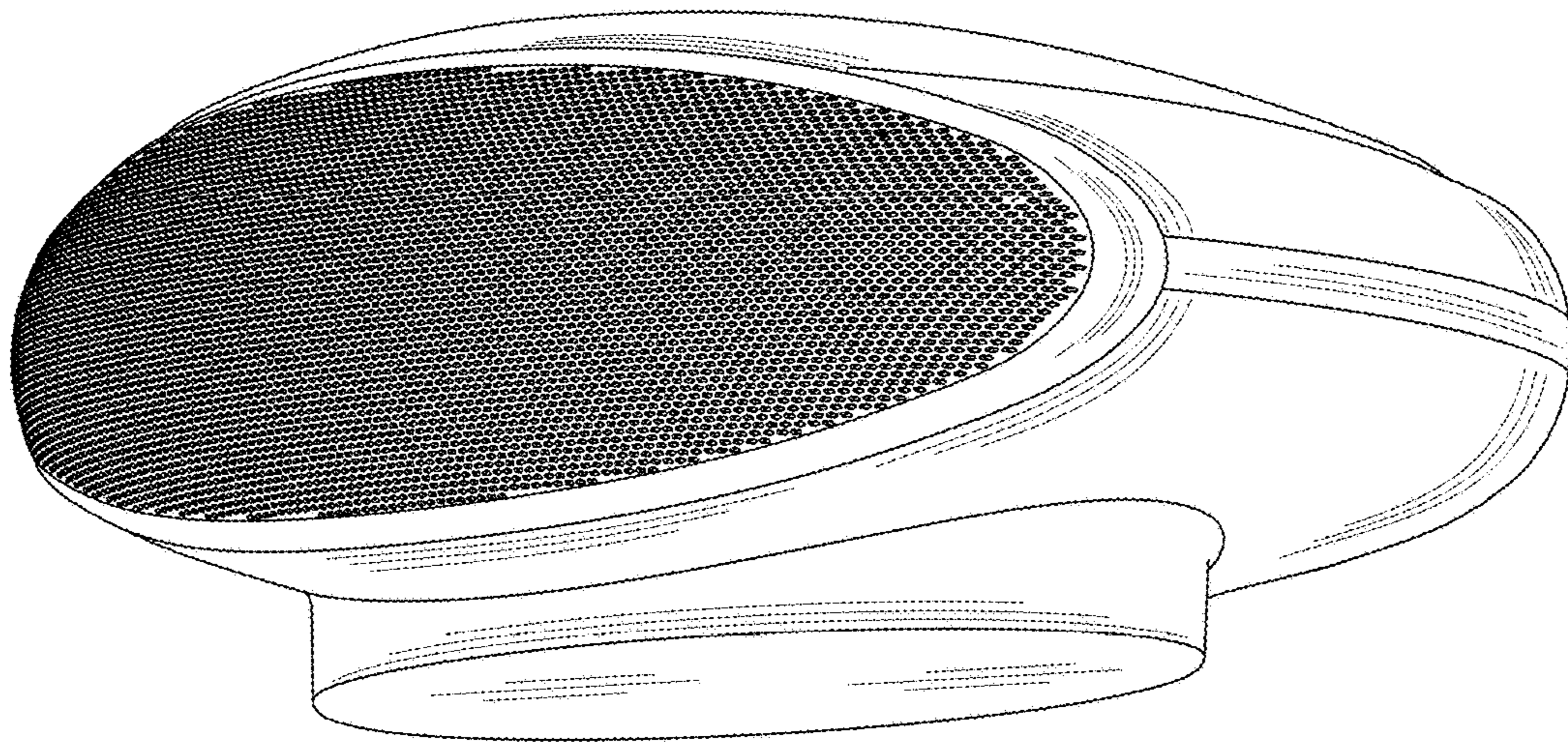


Fig. 8

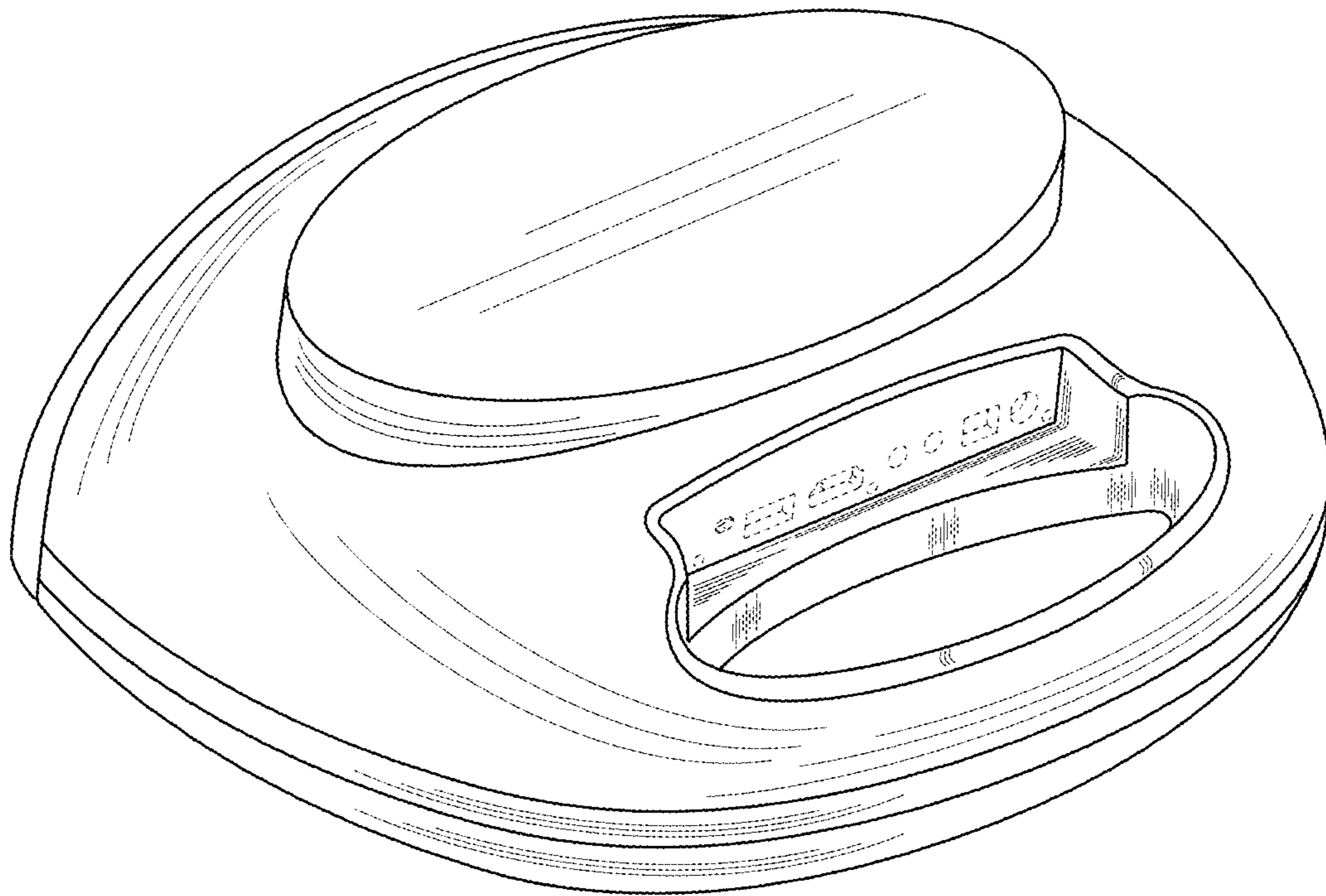


Fig. 9