



US00D790510S

(12) **United States Design Patent**
Xiao

(10) **Patent No.:** **US D790,510 S**
(45) **Date of Patent:** **** Jun. 27, 2017**

(54) **PORTABLE SPEAKER**

(71) Applicant: **Bankers Pen (1991) Inc.**, St. Laurent (CA)

(72) Inventor: **Yawen Xiao**, Bao'an District (CN)

(73) Assignee: **Bankers Pen (1991) Inc.**, St. Laurent (CA)

(**) Term: **15 Years**

(21) Appl. No.: **29/550,931**

(22) Filed: **Jan. 8, 2016**

(30) **Foreign Application Priority Data**

Nov. 4, 2015 (CN) 2015 3 0435693
Dec. 24, 2015 (CA) 166180

(51) **LOC (10) Cl.** **14-01**

(52) **U.S. Cl.**
USPC **D14/216**

(58) **Field of Classification Search**
USPC D14/216, 204, 156, 212, 214, 215, 218, D14/188, 496; D10/104.1; D3/207; D13/168; 188/144-145, 147-148, 150, 188/153, 157, 198-199; 381/300-302, 381/306, 333, 345, 361-364, 386-388
CPC H04R 1/02; H04M 1/00; H05K 5/00
See application file for complete search history.

(56) **References Cited**

U.S. PATENT DOCUMENTS

2,336,828 A * 12/1943 Zarth H04R 25/04
381/104
2,890,297 A * 6/1959 Lehr H04R 1/08
181/148
D186,892 S * 12/1959 Wilber D14/211
3,026,956 A * 3/1962 Wilber H04R 1/021
181/153

D198,085 S * 4/1964 Rich D14/218
D203,187 S * 12/1965 Deschamps D14/225
D215,675 S * 10/1969 Yran D13/114
D219,028 S * 10/1970 Miller D14/218
3,720,787 A * 3/1973 Ishii H04R 1/02
181/147
3,812,301 A * 5/1974 Lahti H04R 1/021
181/153
D281,066 S * 10/1985 Humble D14/215

(Continued)

Primary Examiner — Paul Greene

(74) *Attorney, Agent, or Firm* — Sterne, Kessler, Goldstein & Fox P.L.L.C.

(57) **CLAIM**

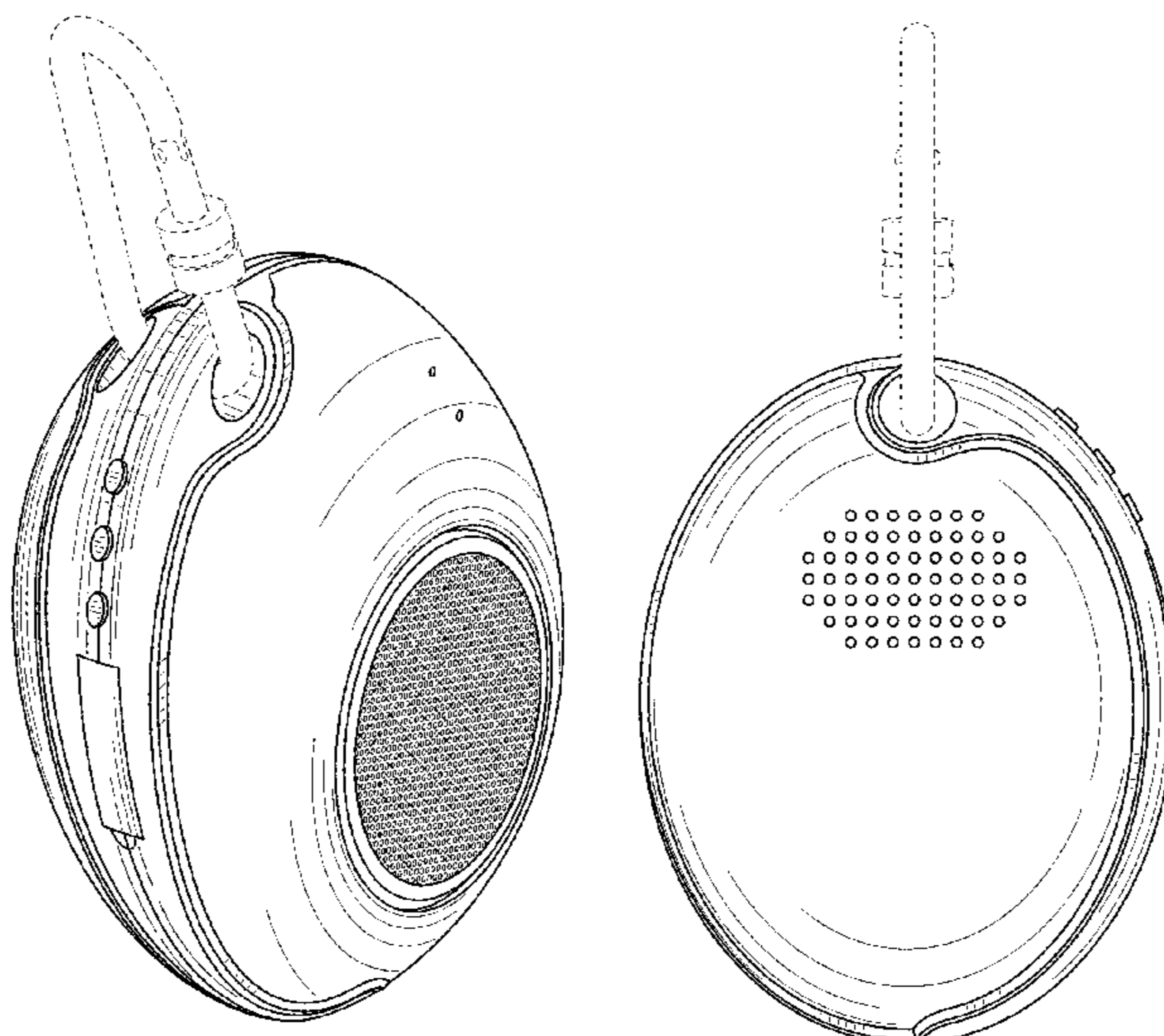
The ornamental design for a portable speaker, as shown and described.

DESCRIPTION

FIG. 1 is a front perspective view of a portable speaker showing my new design;
FIG. 2 is a front view thereof;
FIG. 3 is a rear view thereof;
FIG. 4 is a right side view thereof;
FIG. 5 is a left side view thereof;
FIG. 6 is a top view thereof;
FIG. 7 is a bottom view thereof;
FIG. 8 is a front perspective view of a portable speaker with a side flap in an open position showing my new design;
FIG. 9 is a front view thereof;
FIG. 10 is a rear view thereof;
FIG. 11 is a right side view thereof;
FIG. 12 is a left side view thereof;
FIG. 13 is a top view thereof; and,
FIG. 14 is a bottom view thereof.

The broken lines in the Figures show portions of the portable speaker that form no part of the claimed design.
The shade lines in the figures show contour and not surface ornamentation.

1 Claim, 9 Drawing Sheets



(56)

References Cited

U.S. PATENT DOCUMENTS

D326,423 S * 5/1992 Clyde D10/106.1
 5,351,051 A * 9/1994 Yano G07C 9/00944
 340/12.55
 D351,828 S * 10/1994 Pucci D13/168
 5,406,728 A * 4/1995 Willitts, Jr. G09F 19/02
 40/409
 D362,442 S * 9/1995 Goldfarb D14/215
 D375,909 S * 11/1996 Dziersk D10/106.1
 D379,456 S * 5/1997 Osiecki D14/167
 D399,843 S * 10/1998 Masamitsu D14/154
 D446,511 S * 8/2001 Kanno D14/167
 D459,314 S * 6/2002 Flick D10/104.1
 D465,469 S * 11/2002 Heath D10/104.1
 D467,574 S * 12/2002 Suzuki D14/216
 6,529,142 B2 * 3/2003 Yeh G08G 1/005
 340/425.5
 D485,825 S * 1/2004 Yoneda D14/215
 D500,015 S * 12/2004 Gubbe D13/168
 D512,060 S * 11/2005 Wang D14/480.1
 D512,406 S * 12/2005 Shimizu D14/167
 D514,122 S * 1/2006 Rodarte D14/203.6
 D526,644 S * 8/2006 Breit D14/216
 D534,889 S * 1/2007 Cheng D14/138 R

D542,273 S * 5/2007 Park D14/215
 D544,881 S * 6/2007 Yang D14/496
 D554,614 S * 11/2007 Lin D14/509
 D557,682 S * 12/2007 Oas D14/192
 D560,211 S * 1/2008 Kim D14/216
 D577,356 S * 9/2008 Moon D14/168
 D591,269 S * 4/2009 Kim D14/216
 D596,159 S * 7/2009 Yamaji D14/209.1
 D611,450 S * 3/2010 Miyazaki D14/209.1
 D643,022 S * 8/2011 Hou D14/216
 D656,130 S * 3/2012 Bailey D14/227
 D670,043 S * 10/2012 Goldman D30/155
 D681,010 S * 4/2013 Cho D14/215
 8,971,560 B2 * 3/2015 Lyons H04R 1/026
 381/334
 D726,154 S * 4/2015 Chang D14/215
 D726,687 S * 4/2015 Minarik D14/192
 D738,353 S * 9/2015 Slaato D14/216
 D752,021 S * 3/2016 Nardin D14/204
 D752,024 S * 3/2016 Kachwalla D14/216
 D755,162 S * 5/2016 He D14/216
 D763,819 S * 8/2016 Silvera D14/204
 D768,114 S * 10/2016 Hou D13/168
 2013/0028457 A1 * 1/2013 Yeh H04R 1/10
 381/334

* cited by examiner

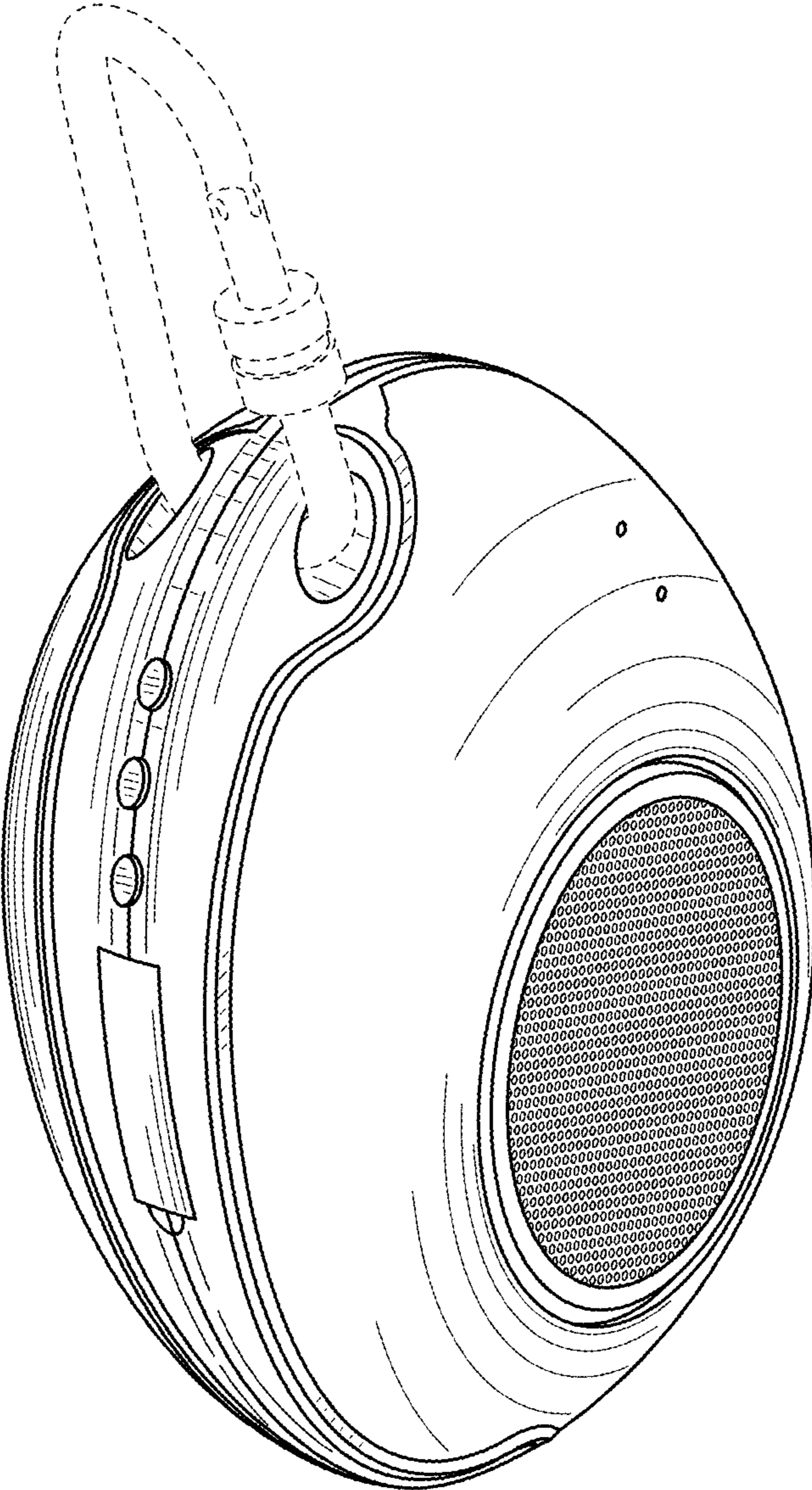


FIG. 1

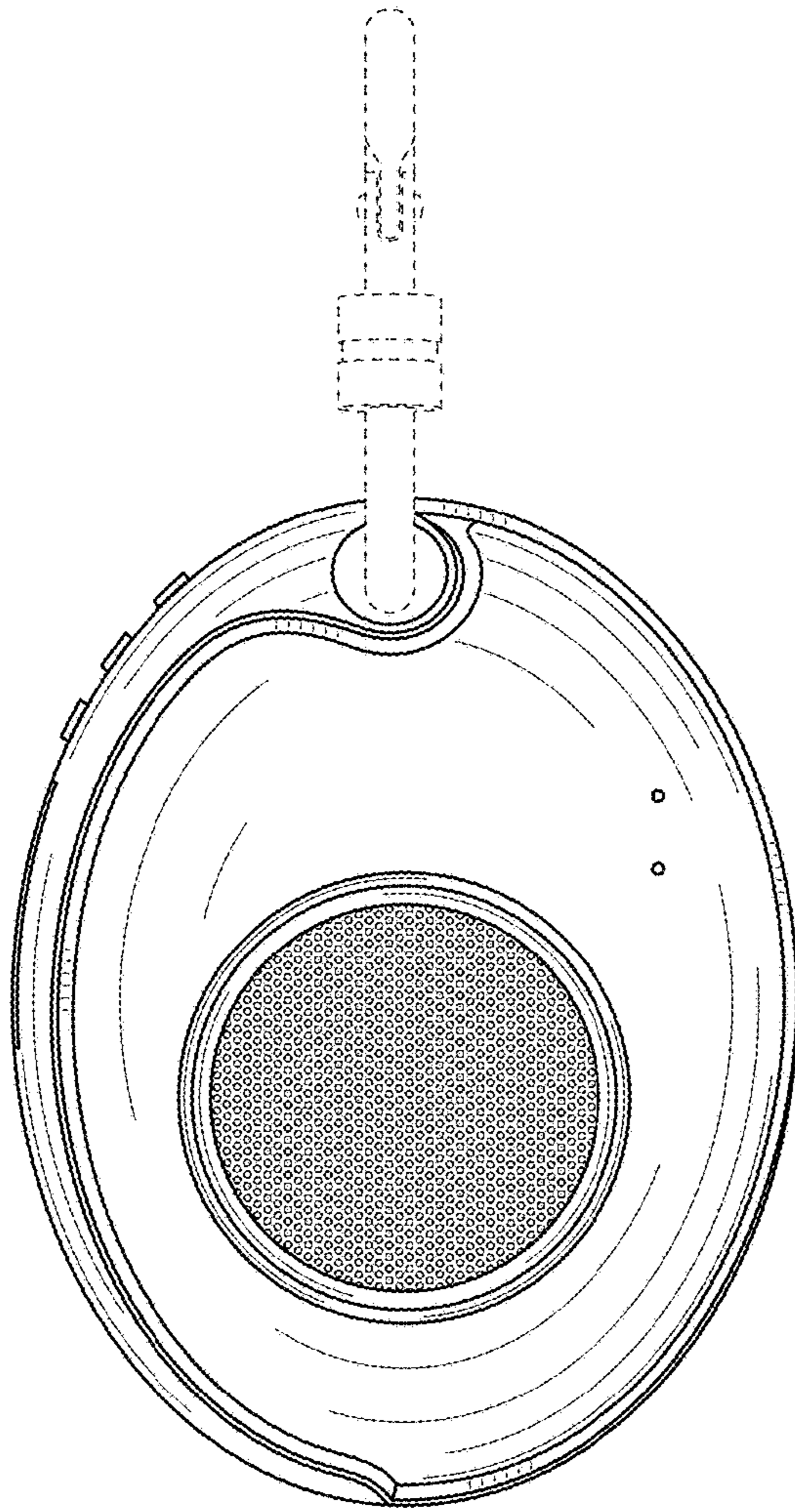


FIG. 2

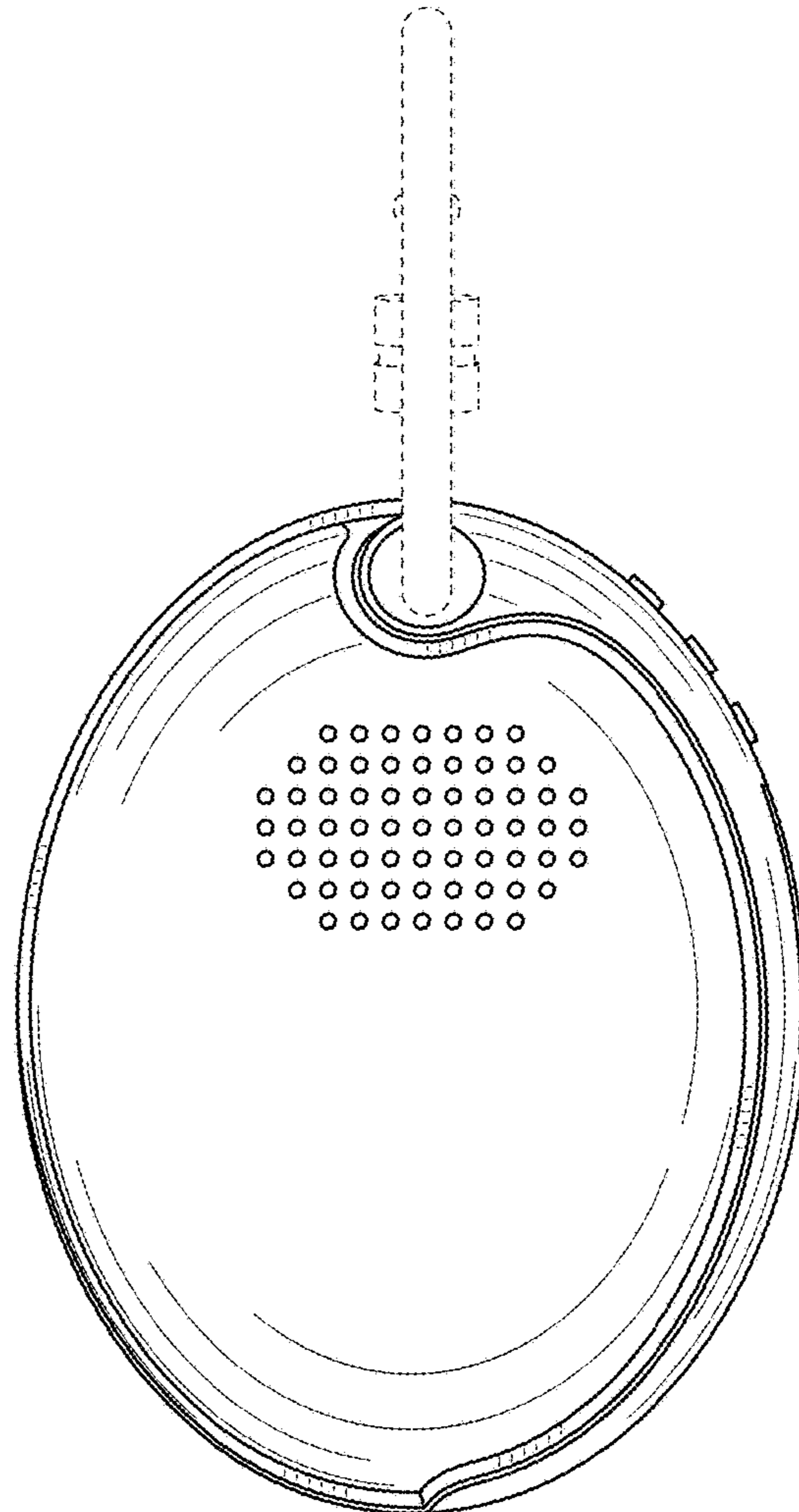


FIG. 3

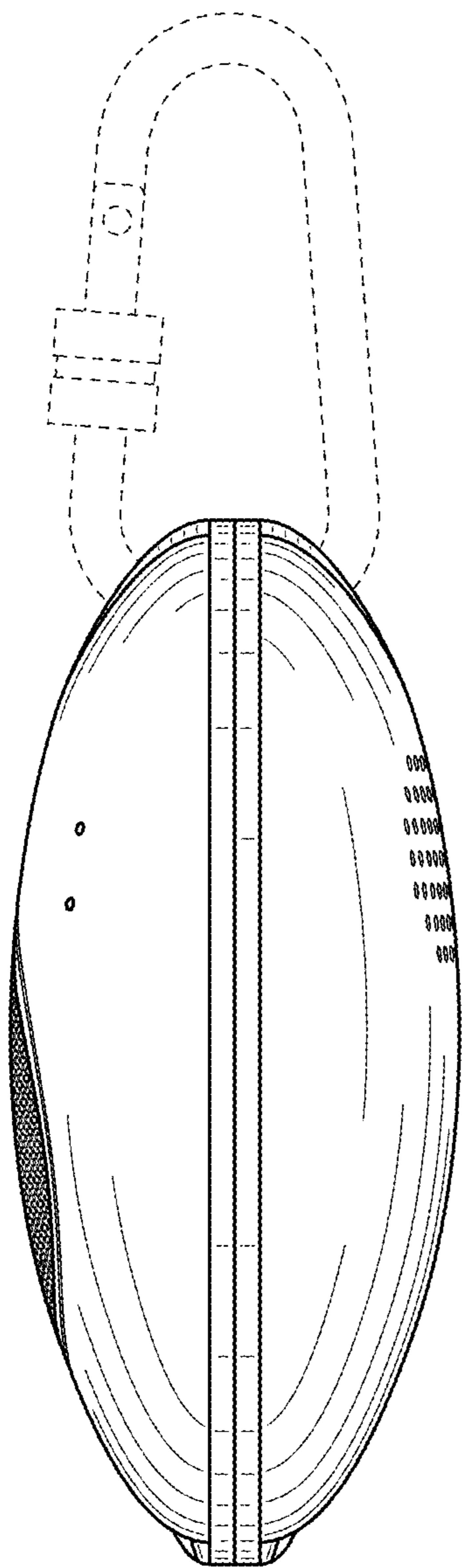


FIG. 4

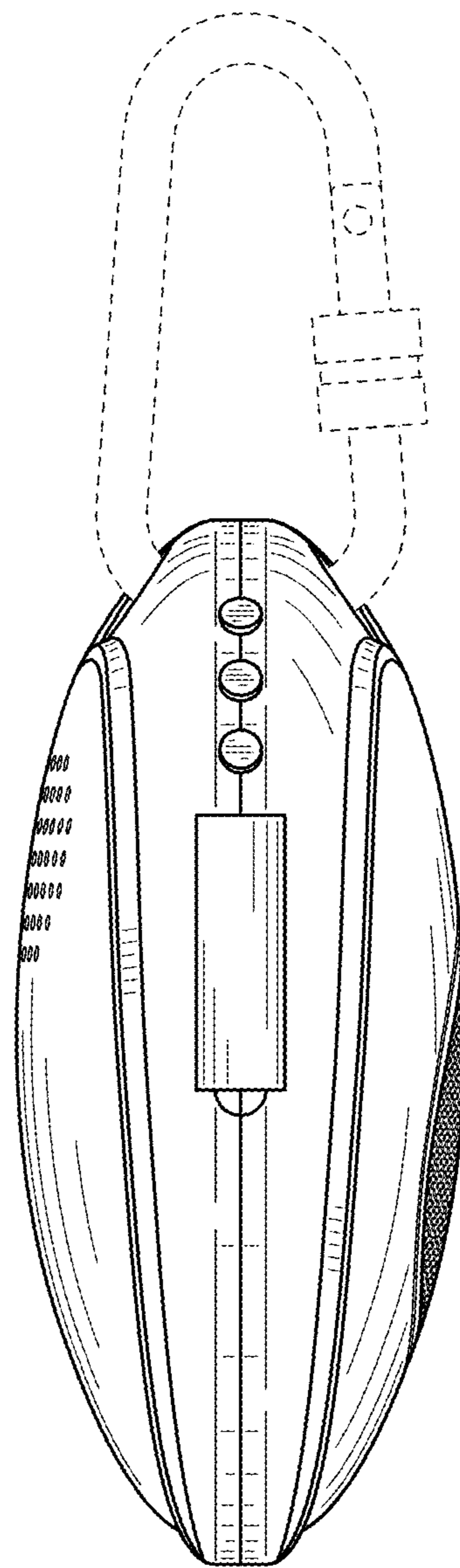


FIG. 5

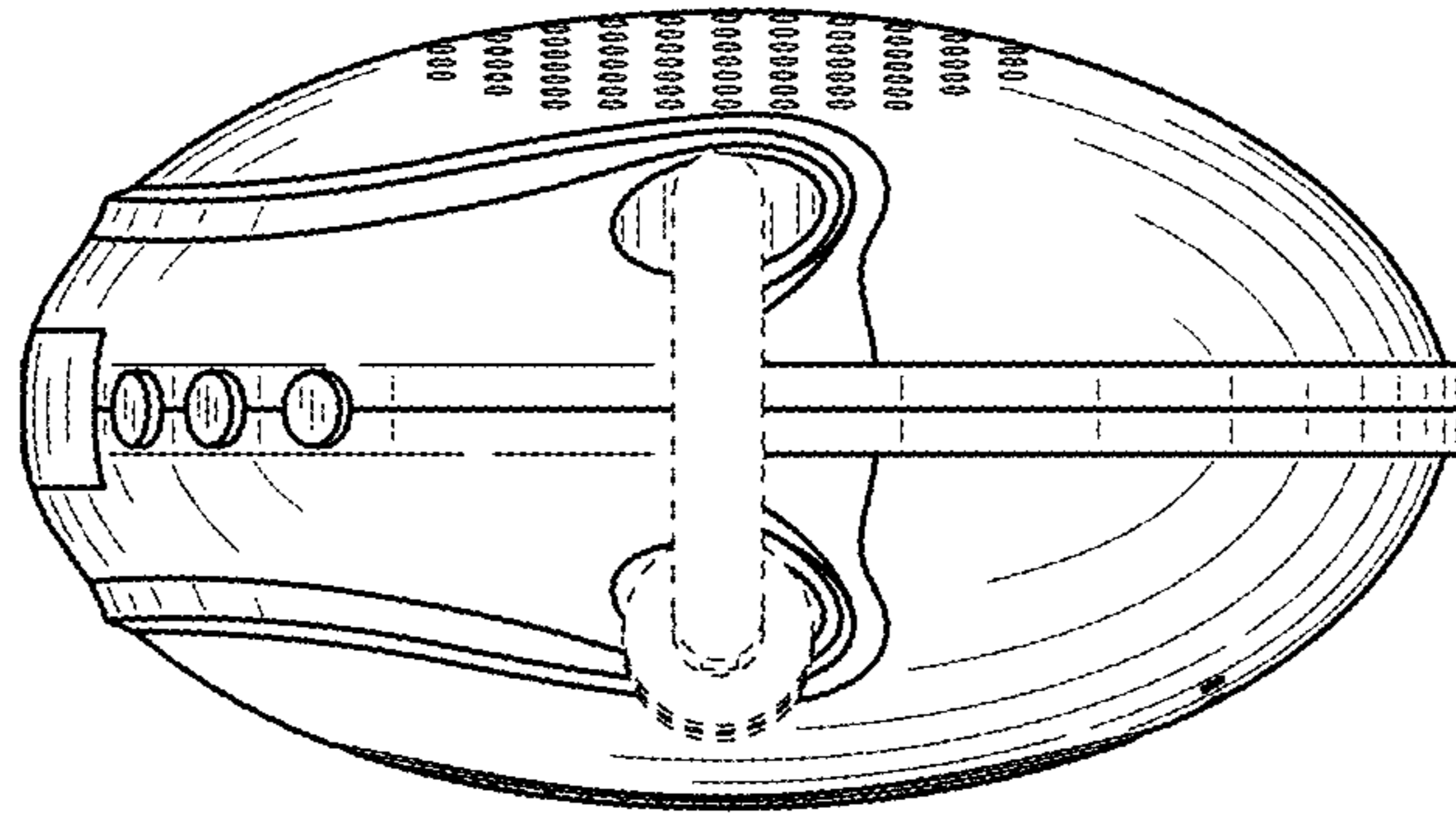


FIG. 6

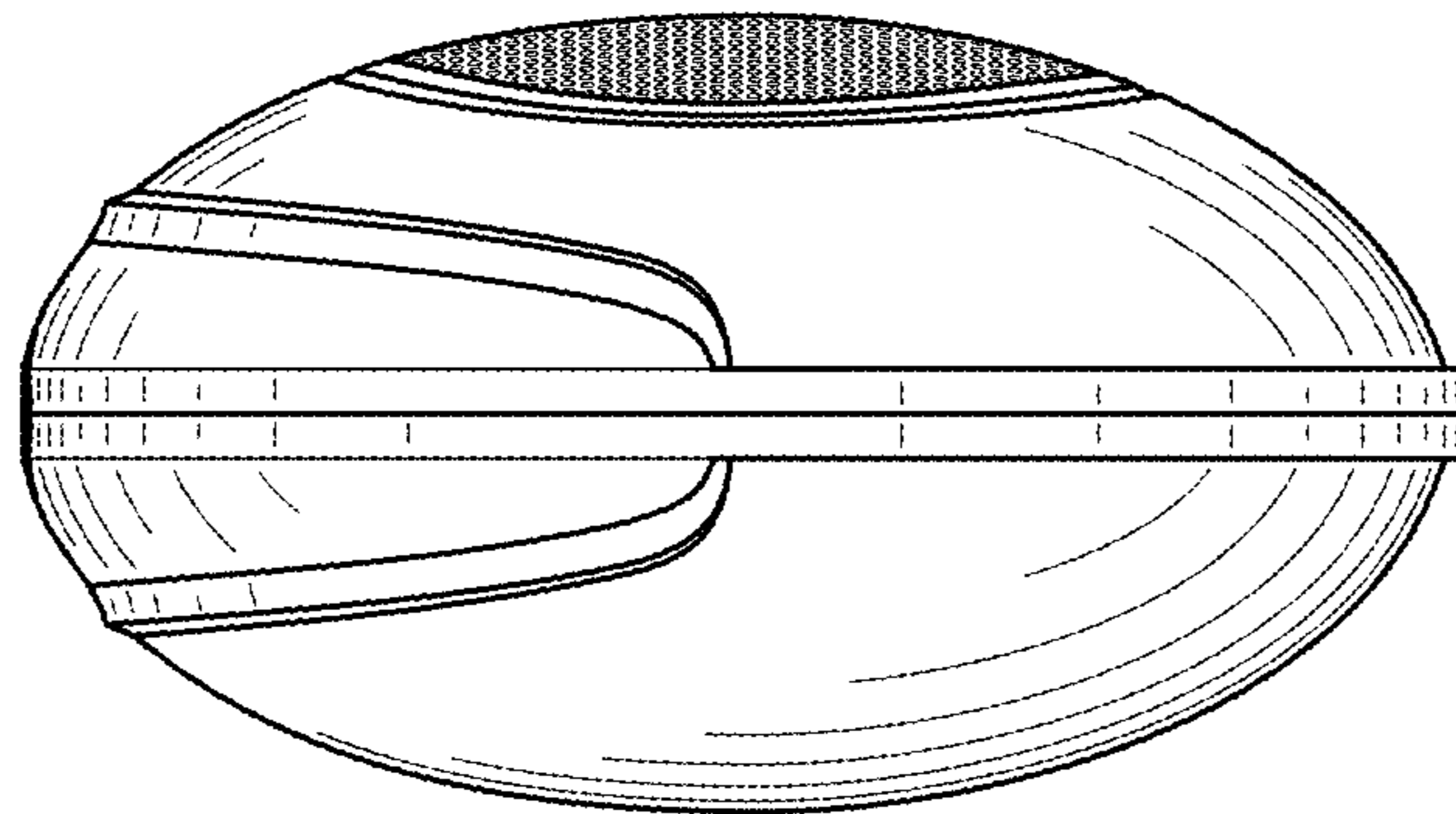


FIG. 7

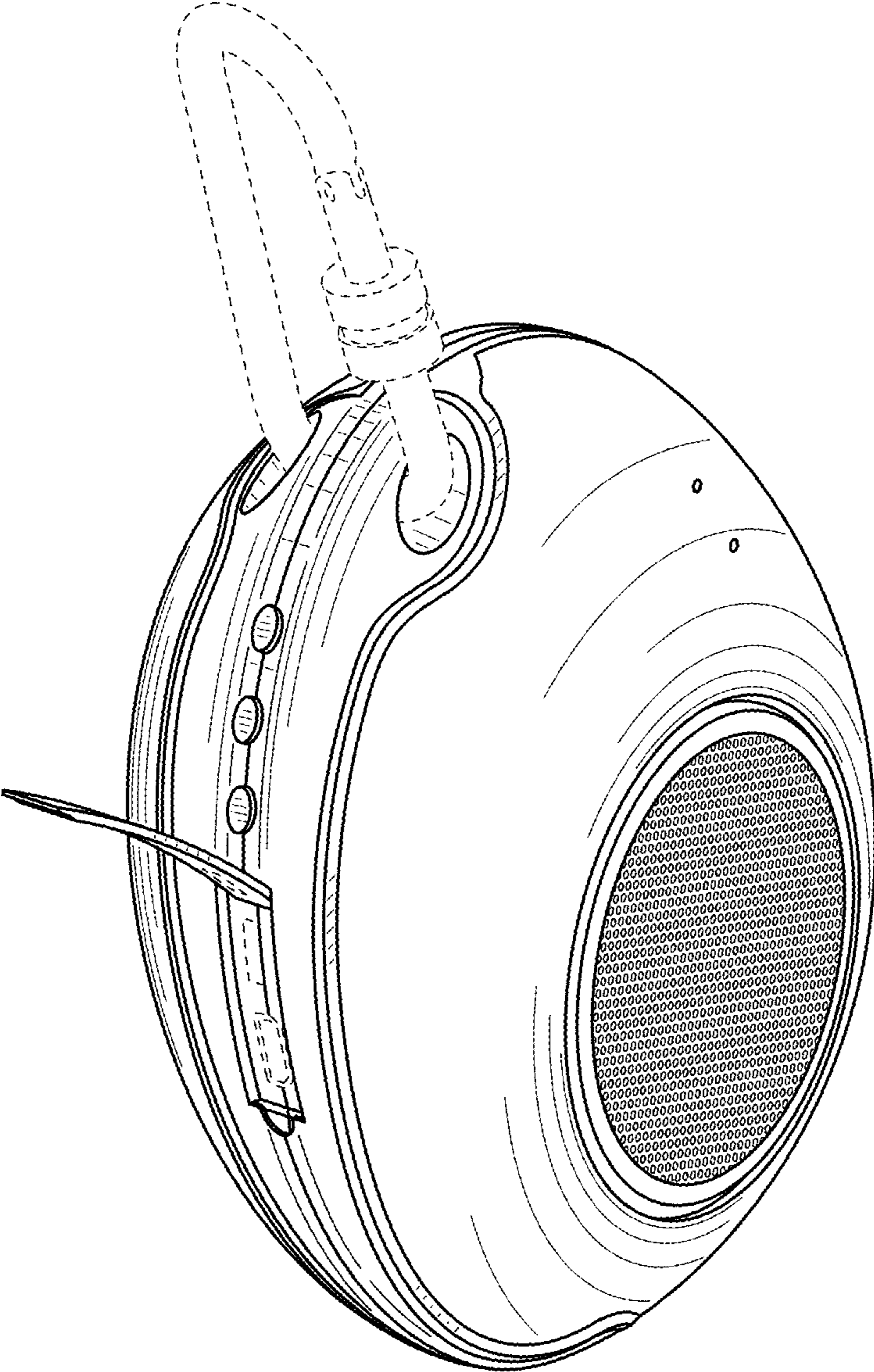


FIG. 8

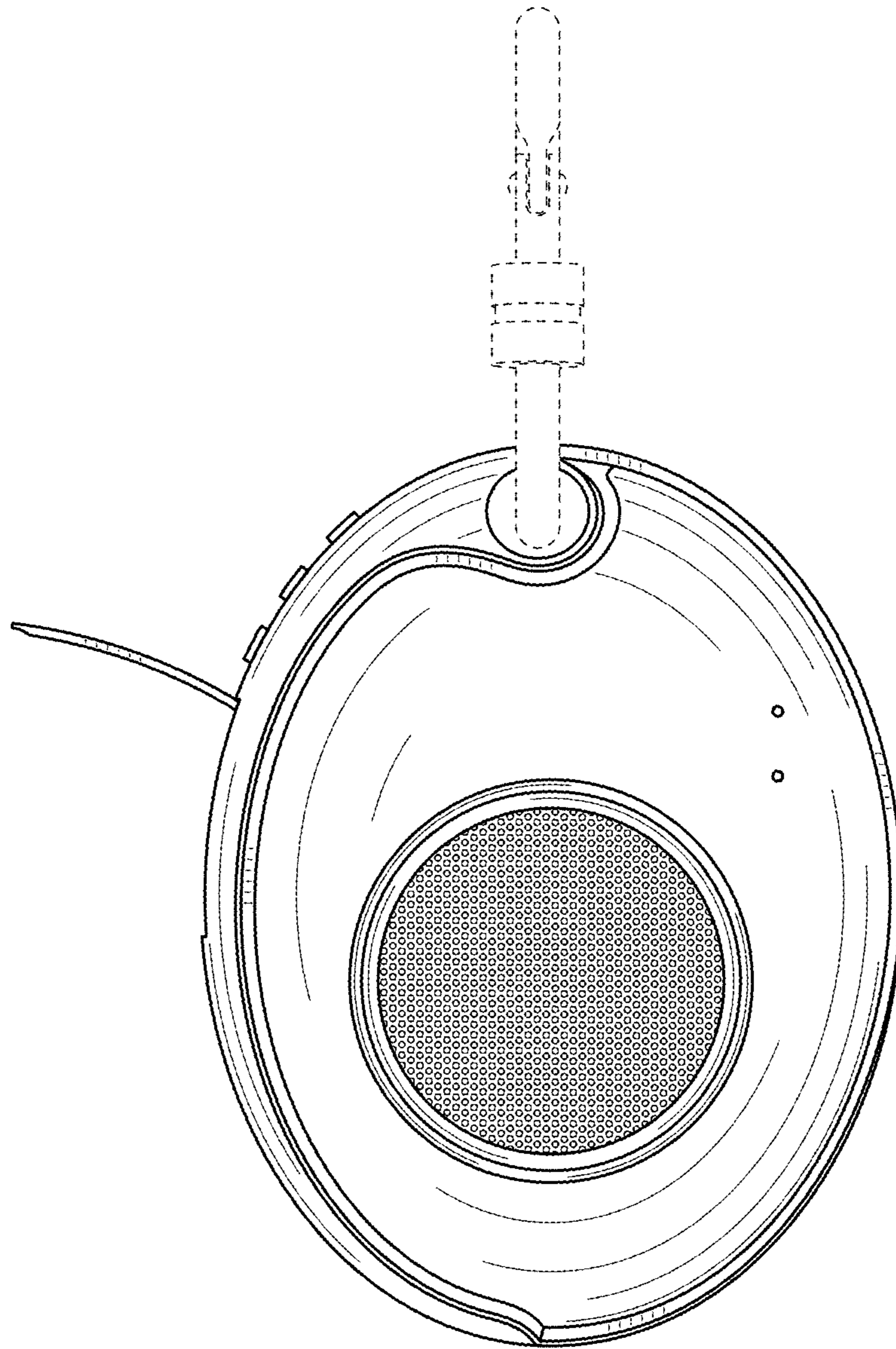


FIG. 9

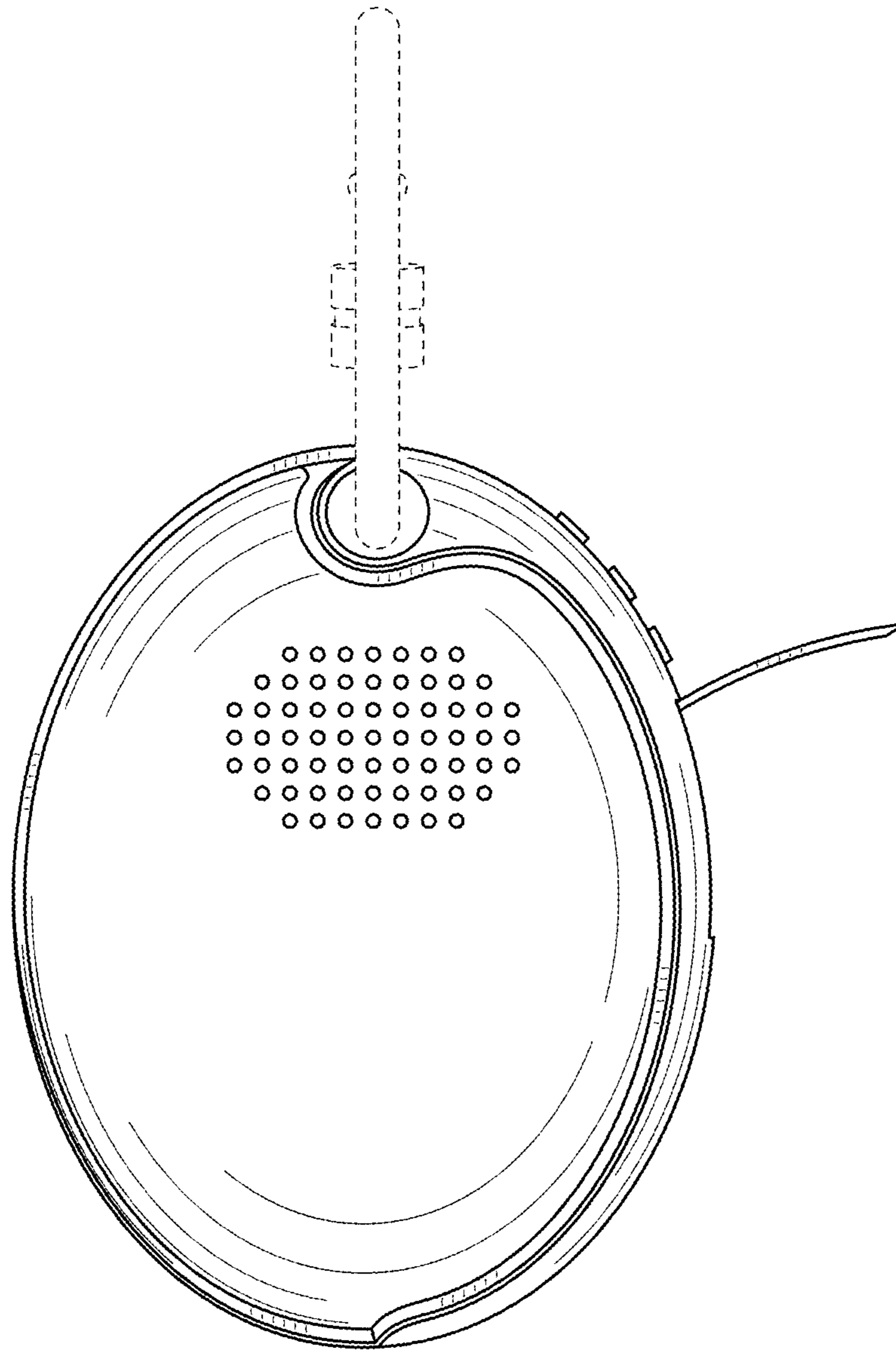


FIG. 10

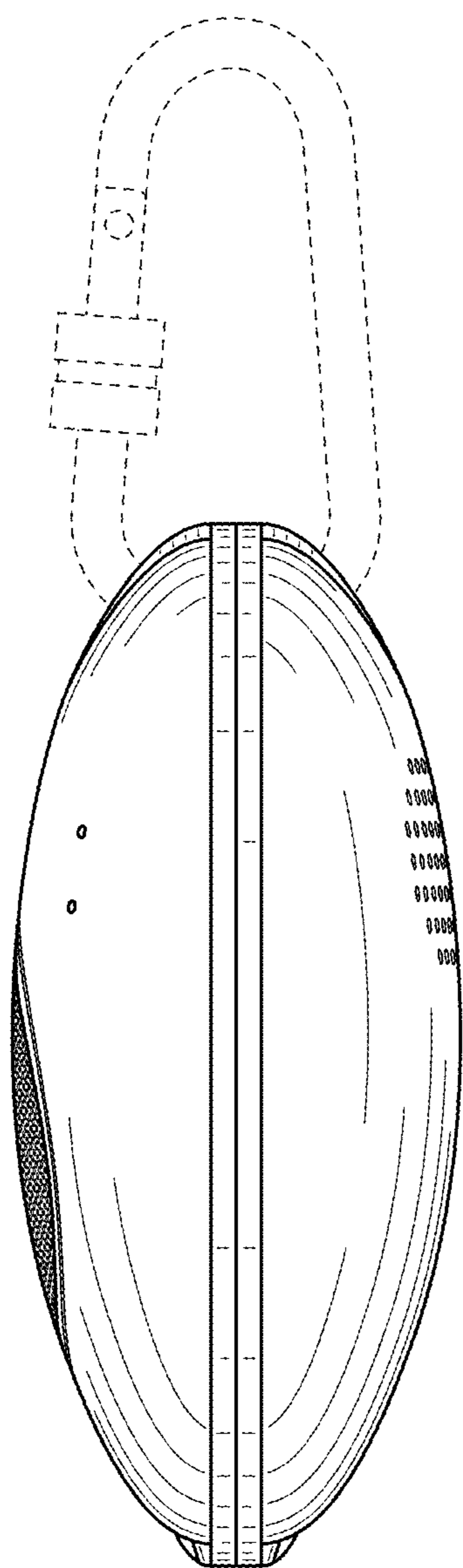


FIG. 11

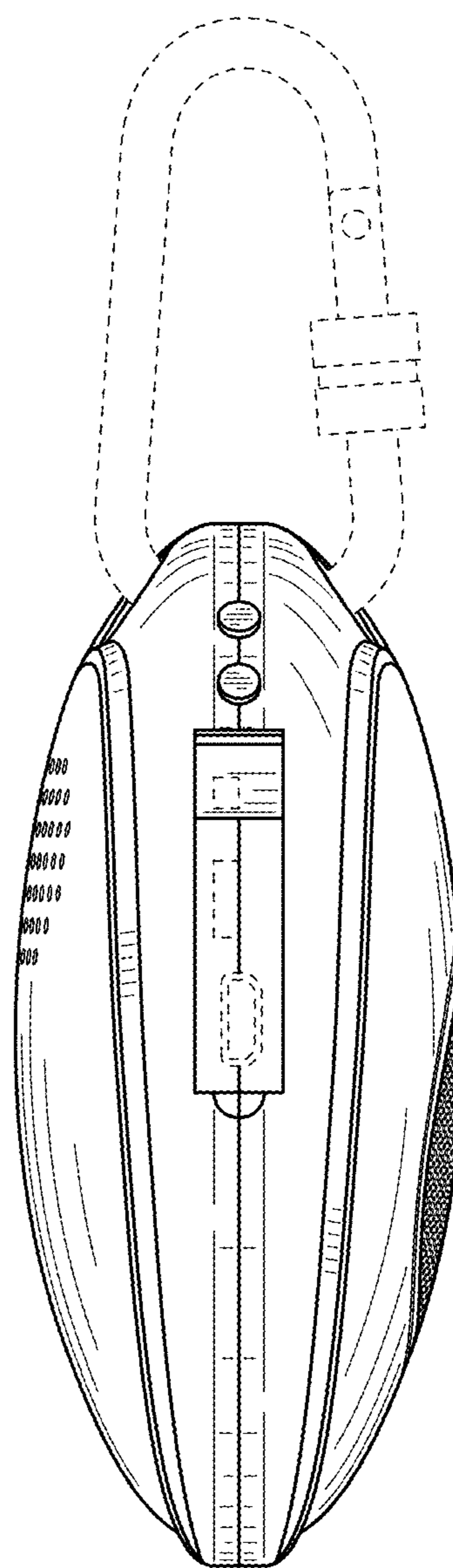


FIG. 12

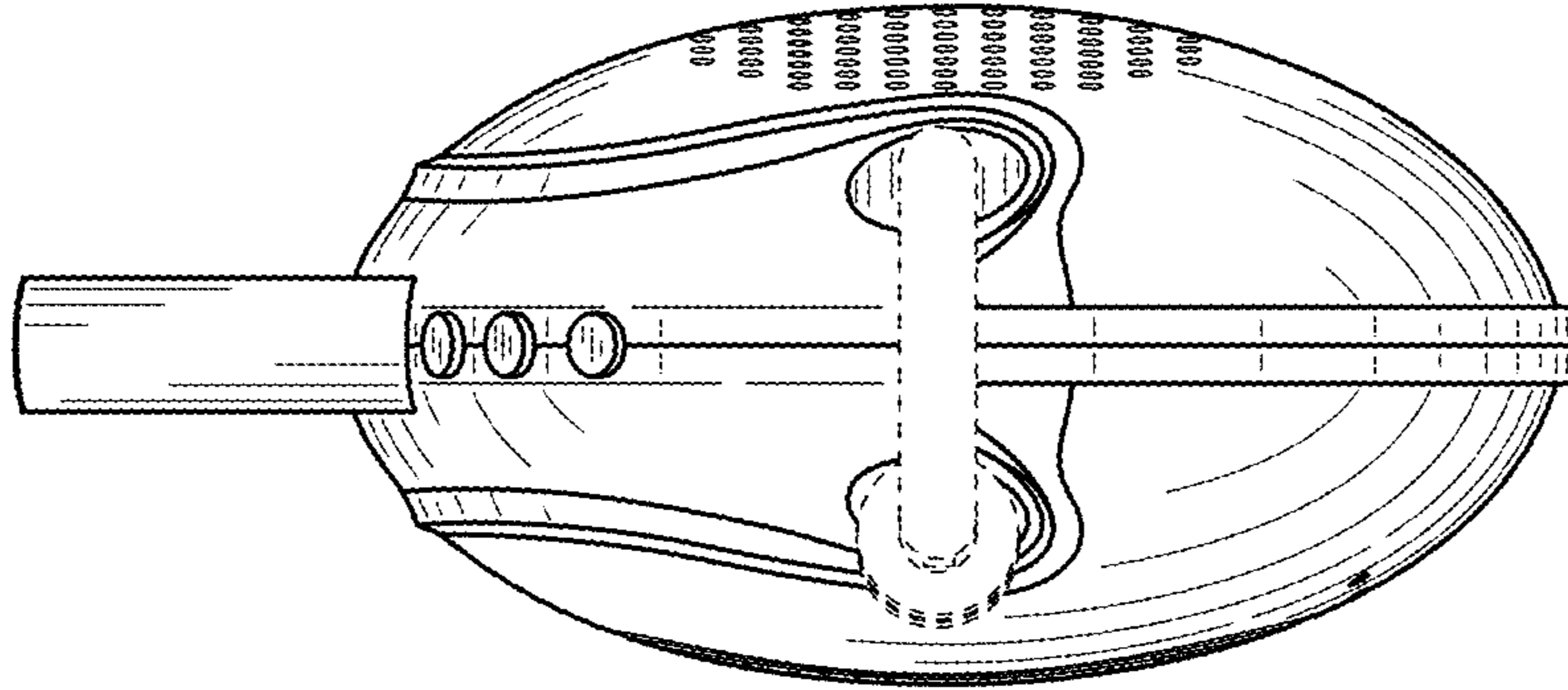


FIG. 13

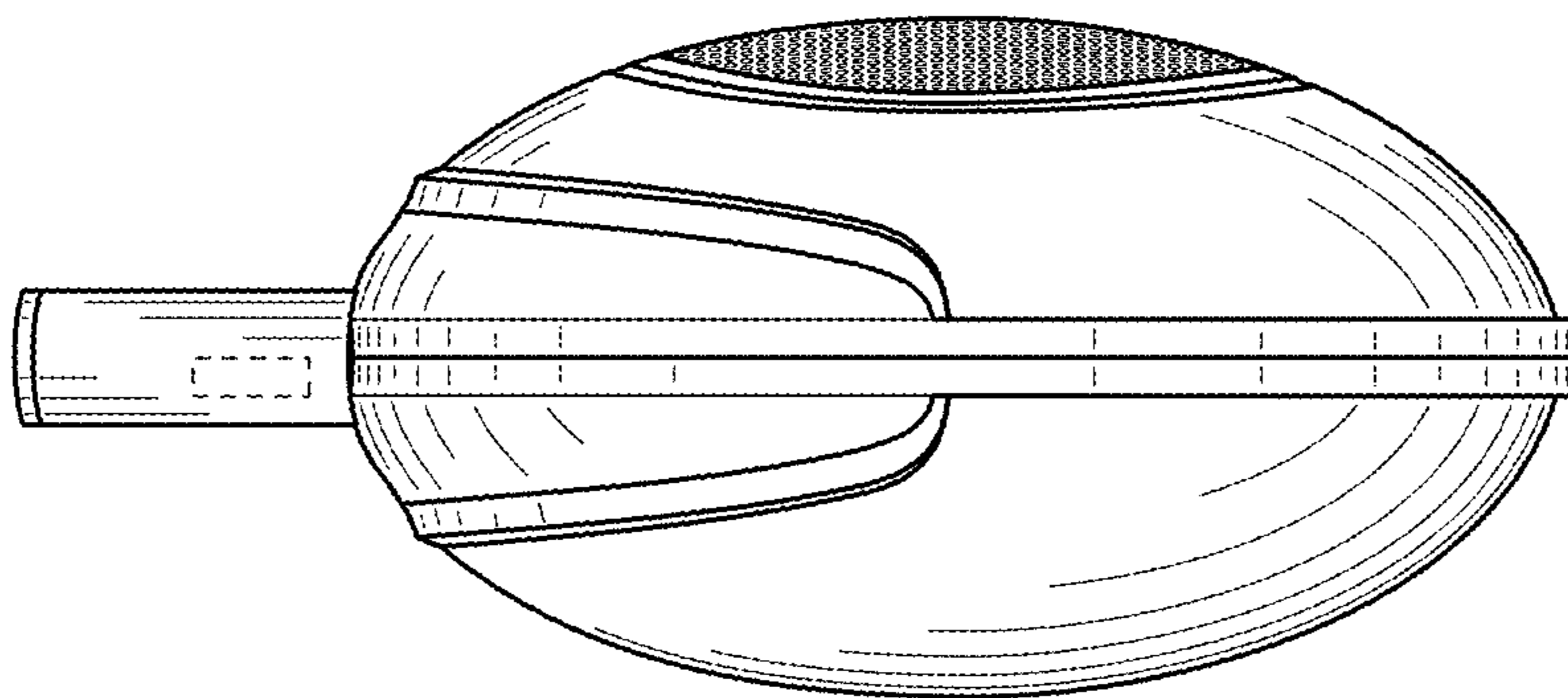


FIG. 14