



US00D790509S

(12) **United States Design Patent**
Towle

(10) **Patent No.:** **US D790,509 S**
(45) **Date of Patent:** **** Jun. 27, 2017**

(54) **AUDIO BOX**

(71) Applicant: **SPINBOXX, LLC**, Newland, NC (US)

(72) Inventor: **James E. Towle**, Newland, NC (US)

(73) Assignee: **Spinboxx, LLC**, Newland, NC (US)

(**) Term: **15 Years**

(21) Appl. No.: **29/555,560**

(22) Filed: **Feb. 23, 2016**

(51) **LOC (10) Cl.** **14-01**

(52) **U.S. Cl.**

USPC **D14/214**; D14/204; D14/210; D14/211

(58) **Field of Classification Search**

USPC D14/168, 188, 194, 195, 196, 204, 210,
D14/211, 212, 213, 214, 215, 216;
D26/26, 51, 52

CPC B60R 11/0217; G06F 1/1688; G10K 9/22;
G10K 11/004; H03F 1/327; H04M 1/03;
H04M 1/035; H04N 5/642; H04N
21/4852; H04S 3/00; H04S 7/30; H04R
1/02; H04R 1/06; H04R 1/021; H04R
1/025; H04R 1/026; H04R 1/028; H04R
1/105; H04R 1/323; H04R 1/403; H04R
1/2803; H04R 1/2834; H04R 5/02; H04R
7/20; H04R 9/06; H04R 9/025; H04R
2201/021; H04R 2400/00; H04R 2400/07;
H04R 2499/11; H04R 2499/13; H04R
2499/15

See application file for complete search history.

(56) **References Cited**

U.S. PATENT DOCUMENTS

D324,685 S * 3/1992 Strohbeen D14/210
D470,127 S * 2/2003 Inoue D14/214

D561,168 S * 2/2008 Song D14/188
D573,585 S * 7/2008 Belanger D14/215
D680,097 S * 4/2013 Davies D14/204
D691,115 S * 10/2013 Silvera D14/212
D695,707 S * 12/2013 Szymanski D14/214
D695,709 S * 12/2013 Szymanski D14/214
D725,075 S * 3/2015 Wong D14/215
D746,264 S * 12/2015 Dugan D14/216
D760,187 S * 6/2016 Kouthoofd D14/204
2006/0159301 A1 * 7/2006 Guenther H04R 1/2834
381/431

OTHER PUBLICATIONS

Spinboxx—AudioBox, announced Mar. 7, 2016 [online], [site visited Mar. 1, 2017]. Available from internet, URL: <https://web.archive.org/web/20160307033211/http://spinboxx.com/>.*

* cited by examiner

Primary Examiner — Keli L Hill

Assistant Examiner — Karra S Johnson

(74) *Attorney, Agent, or Firm* — Schwartz Law Firm, P.C.

(57)

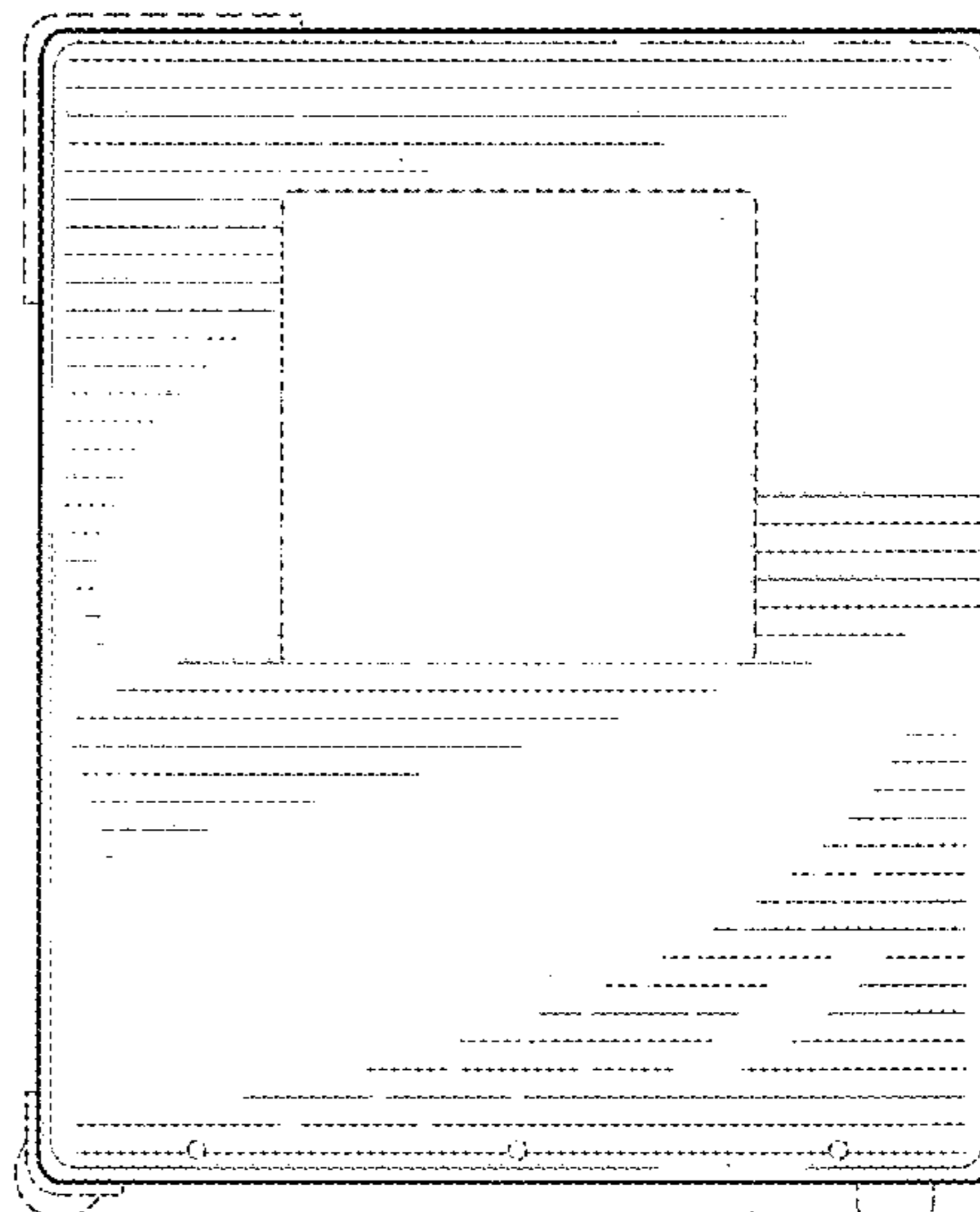
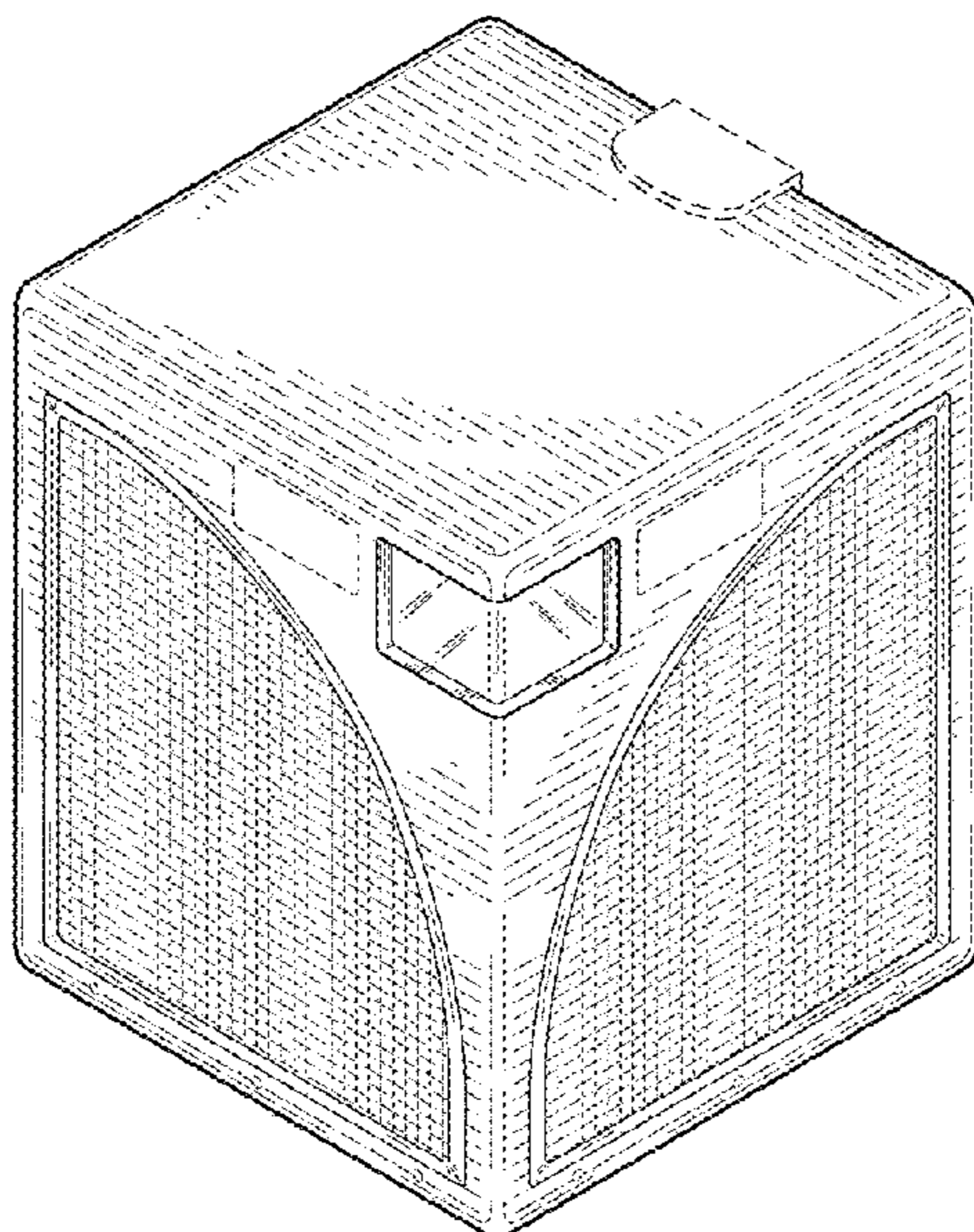
CLAIM

I claim the ornamental design for an audio box, as shown and described.

DESCRIPTION

FIG. 1 is a perspective view of the audio box; FIG. 2 is a front left side view of the audio box; FIG. 3 is a front right side view of the audio box; FIG. 4 is a back right side view of the audio box; FIG. 5 is a back left side view of the audio box; and, FIG. 6 is a top view of the audio box. The portions of the audio box shown in broken lines in FIGS. 1-6 form no part of the claimed design.

1 Claim, 6 Drawing Sheets



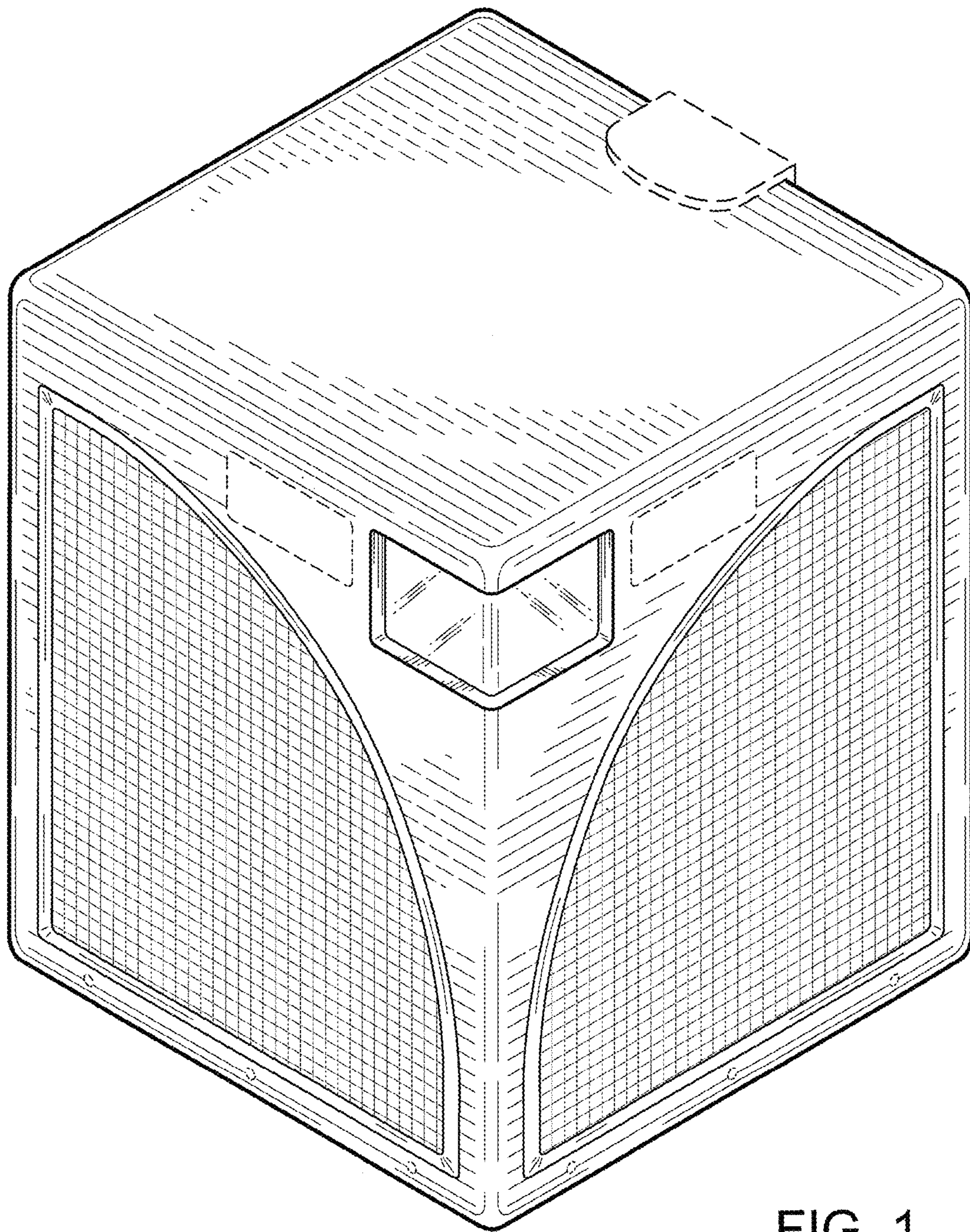


FIG. 1

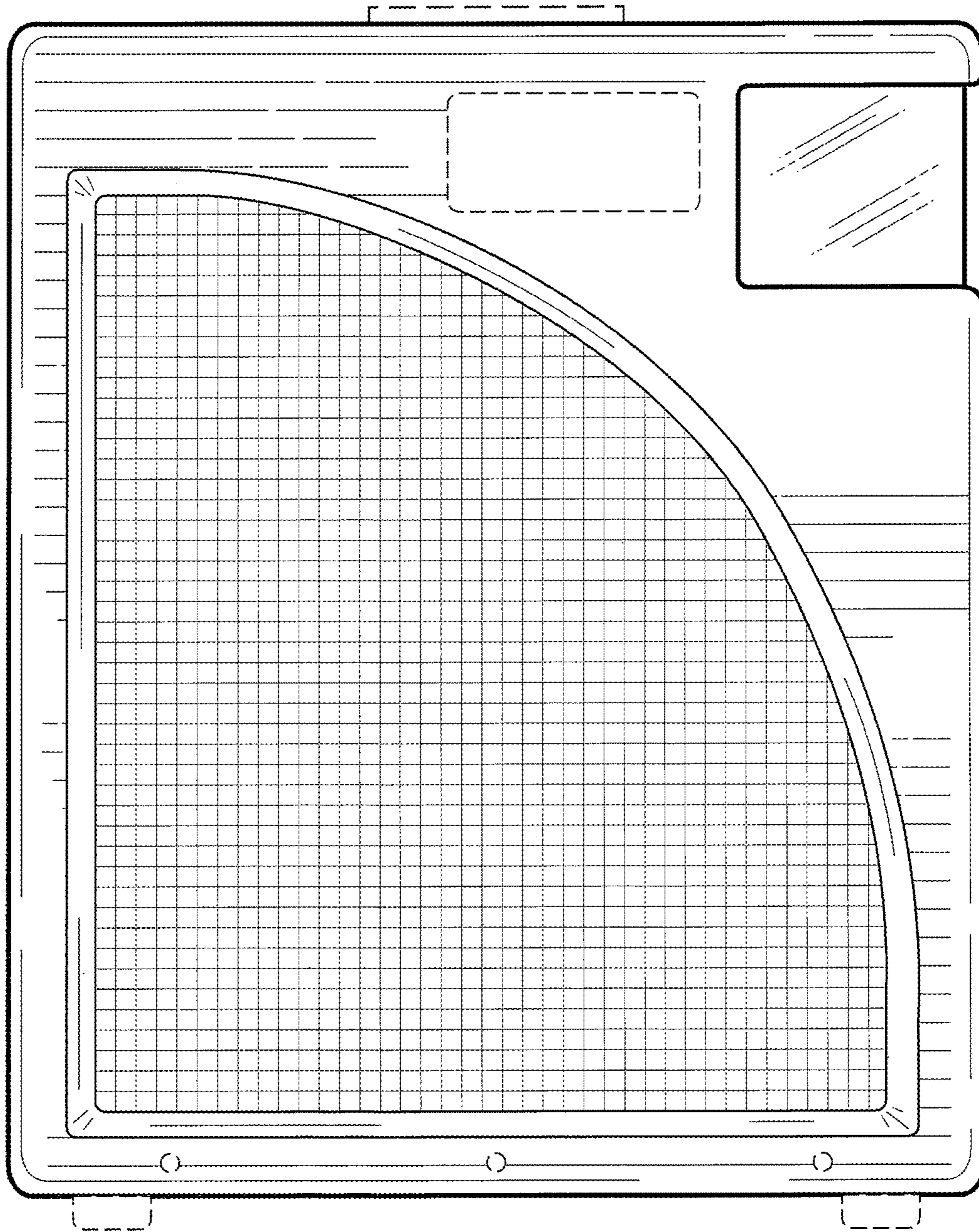


FIG. 2

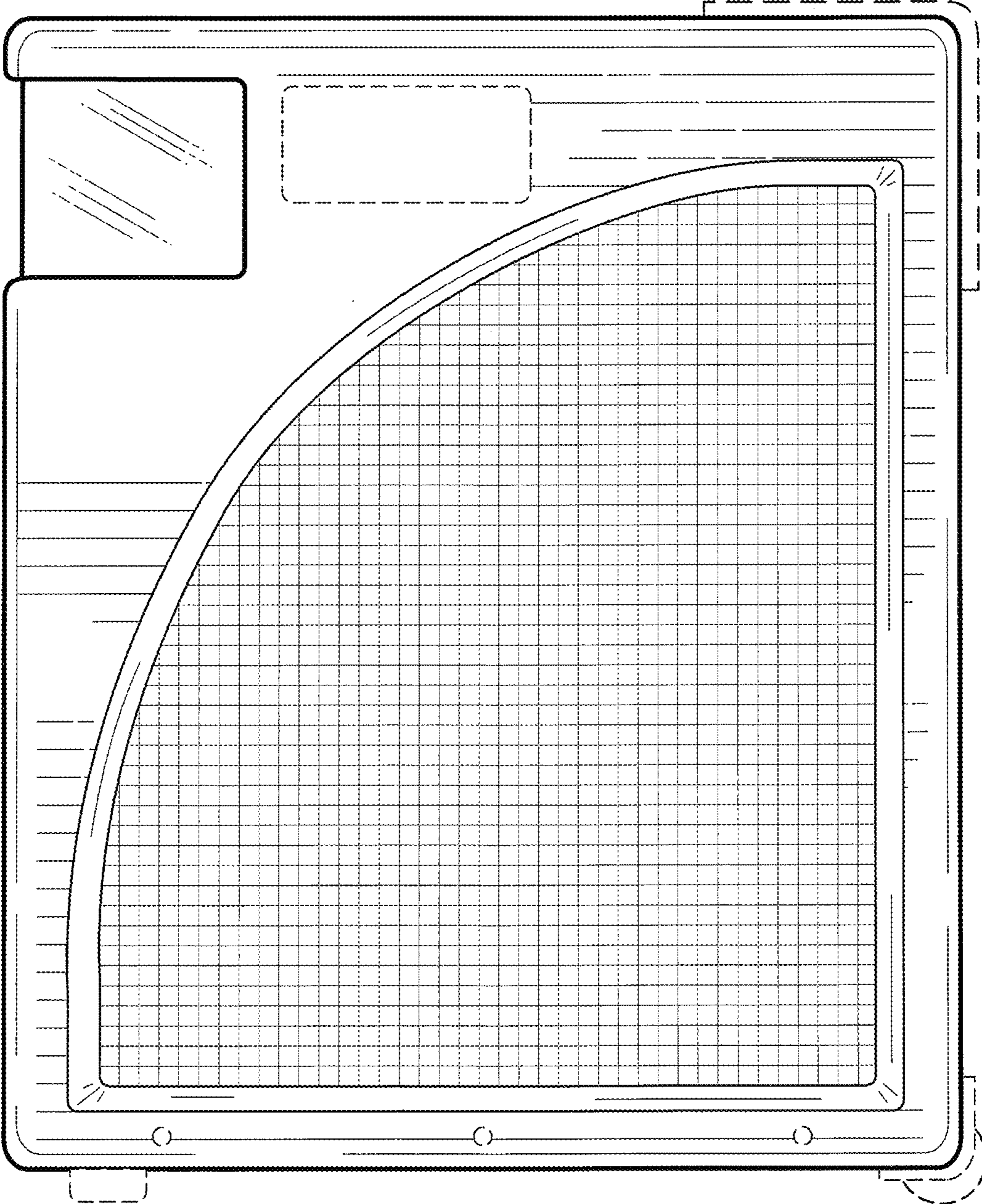


FIG. 3

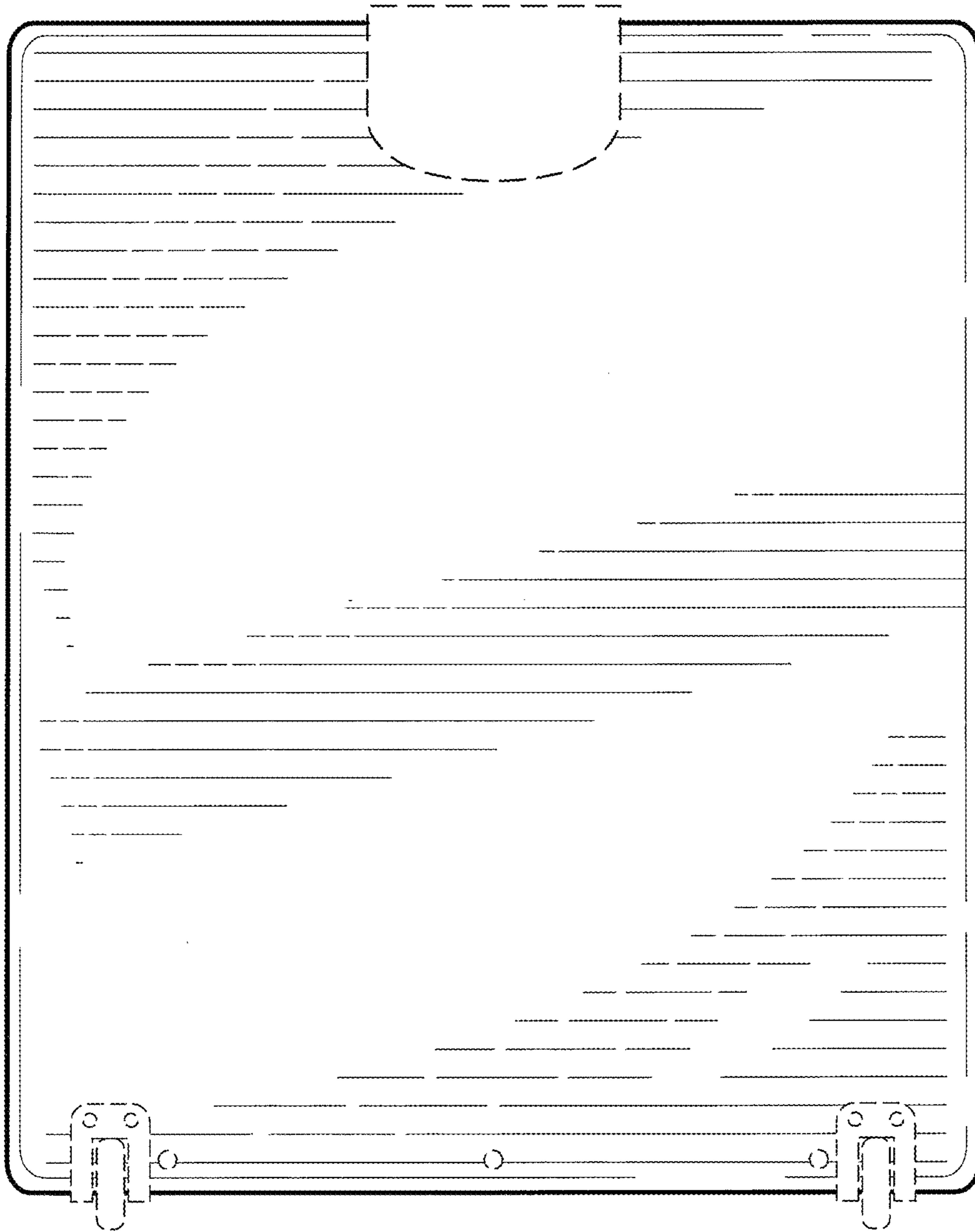


FIG. 4

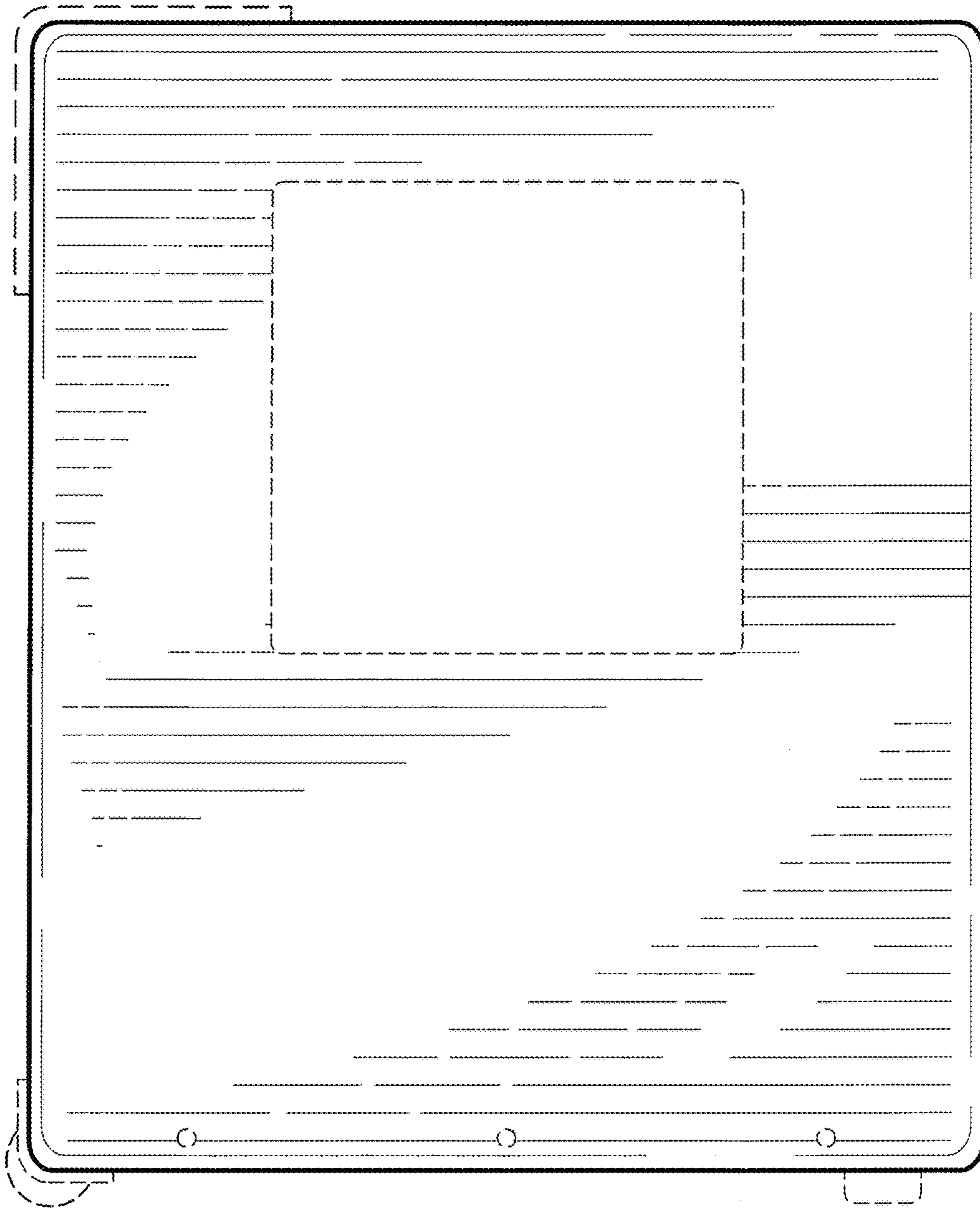


FIG. 5

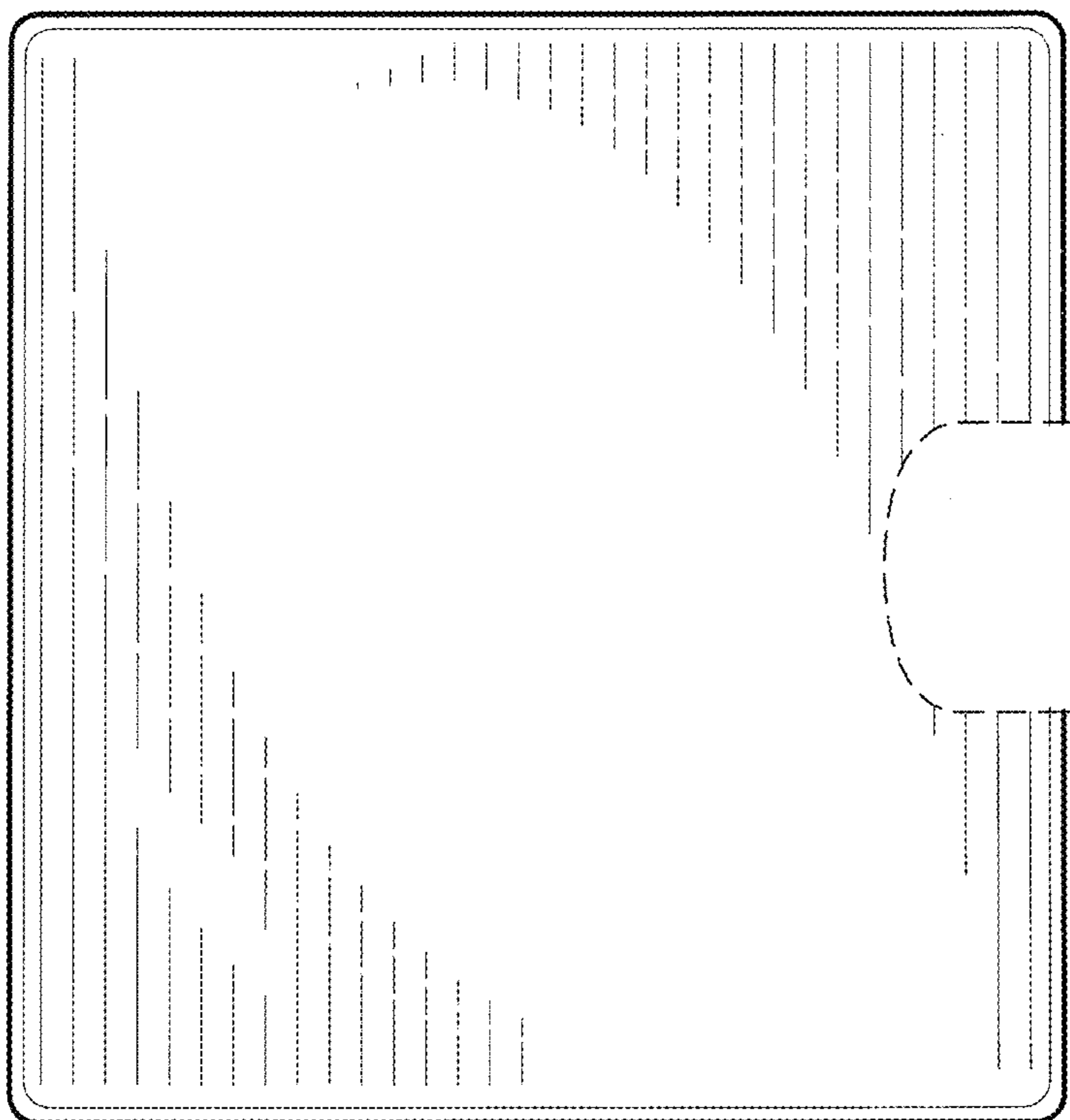


FIG. 6