



US00D790506S

(12) **United States Design Patent**
Broadley et al.

(10) **Patent No.:** **US D790,506 S**
(45) **Date of Patent:** **** Jun. 27, 2017**

- (54) **COMMUNICATION HEADSET**
- (71) Applicant: **Sonetics Holdings, Inc.**, Portland, OR (US)
- (72) Inventors: **Simon Broadley**, West Linn, OR (US); **Brian VanderPloeg**, Lake Oswego, OR (US); **Calvin Toothaker**, Portland, AZ (US)
- (**) Term: **15 Years**
- (21) Appl. No.: **29/548,351**
- (22) Filed: **Dec. 12, 2015**

Related U.S. Application Data

- (63) Continuation-in-part of application No. 14/322,069, filed on Jul. 2, 2014.
- (51) **LOC (10) Cl.** **14-01**
- (52) **U.S. Cl.**
USPC **D14/206**
- (58) **Field of Classification Search**
USPC D14/205, 225, 206; D29/112; 2/209; 181/129, 130, 135; 379/430, 431; 381/380, 381, 379, 378, 370, 374, 376, 381/371, 192, 183
CPC H04R 1/10; H04R 25/00; H04R 1/1066; H04R 5/0335; H04R 5/033; H04R 1/1016
See application file for complete search history.

(56) **References Cited**

U.S. PATENT DOCUMENTS

- 3,454,964 A * 7/1969 Brinkhoff A61F 11/14 2/209
- 3,918,098 A * 11/1975 Devaney A42B 3/166 2/209
- D246,242 S * 11/1977 Bellini D14/205
- D254,183 S * 2/1980 Doodson D14/205

- 4,471,496 A * 9/1984 Gardner, Jr. A61F 11/14 2/209
- 4,620,068 A * 10/1986 Wieder H04R 1/083 181/129
- D299,337 S * 1/1989 Wiegel D14/206
- D301,145 S * 5/1989 Besasie D14/205
- D313,092 S * 12/1990 Nilsson D14/205
- 4,987,592 A * 1/1991 Flagg H04R 1/08 379/430

(Continued)

Primary Examiner — Paula Greene
(74) *Attorney, Agent, or Firm* — Keith L. Jenkins, Registered Patent Attorney, LLC; Keith L. Jenkins

(57) **CLAIM**

The ornamental design for the communication headset, as shown and described.

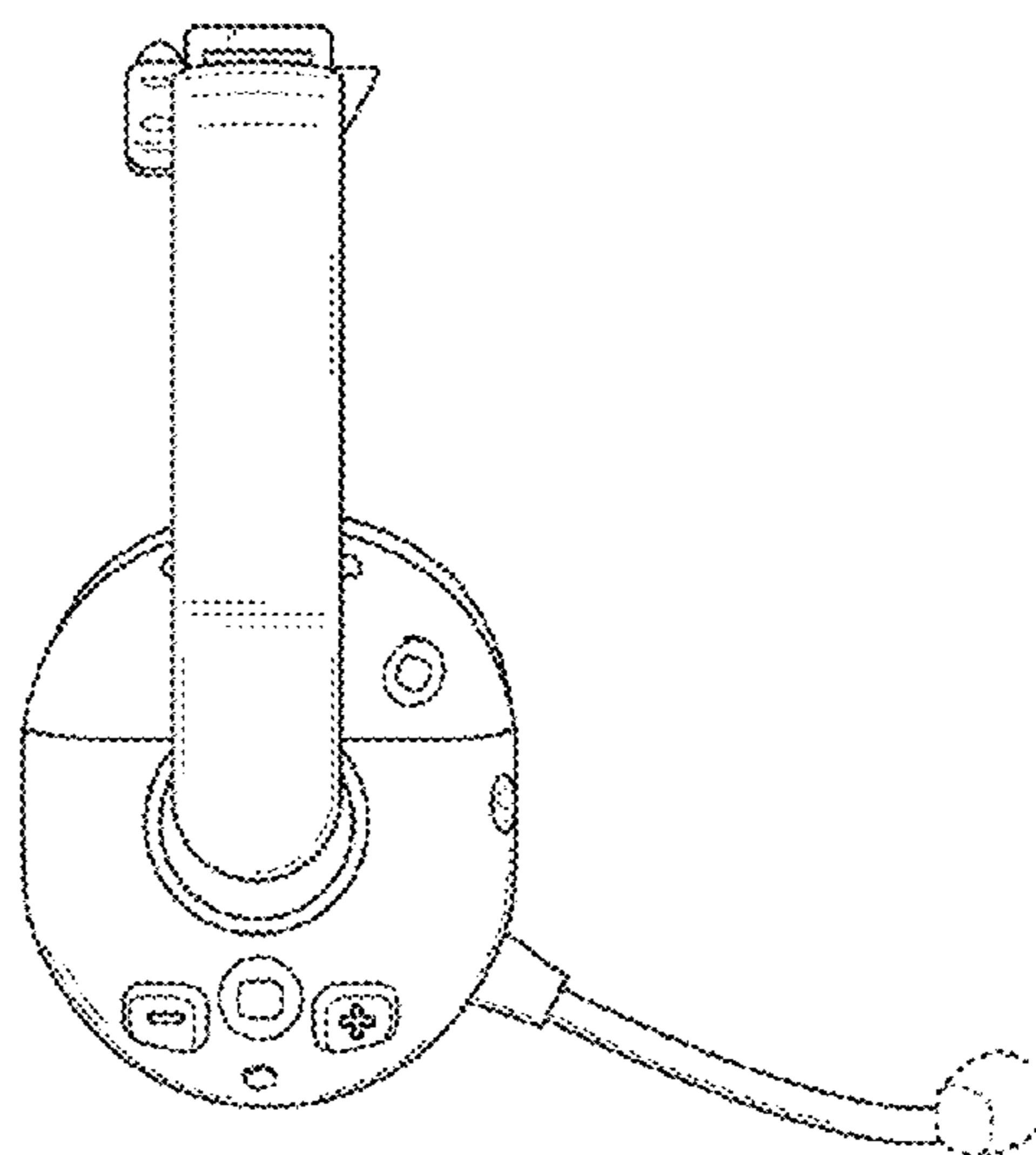
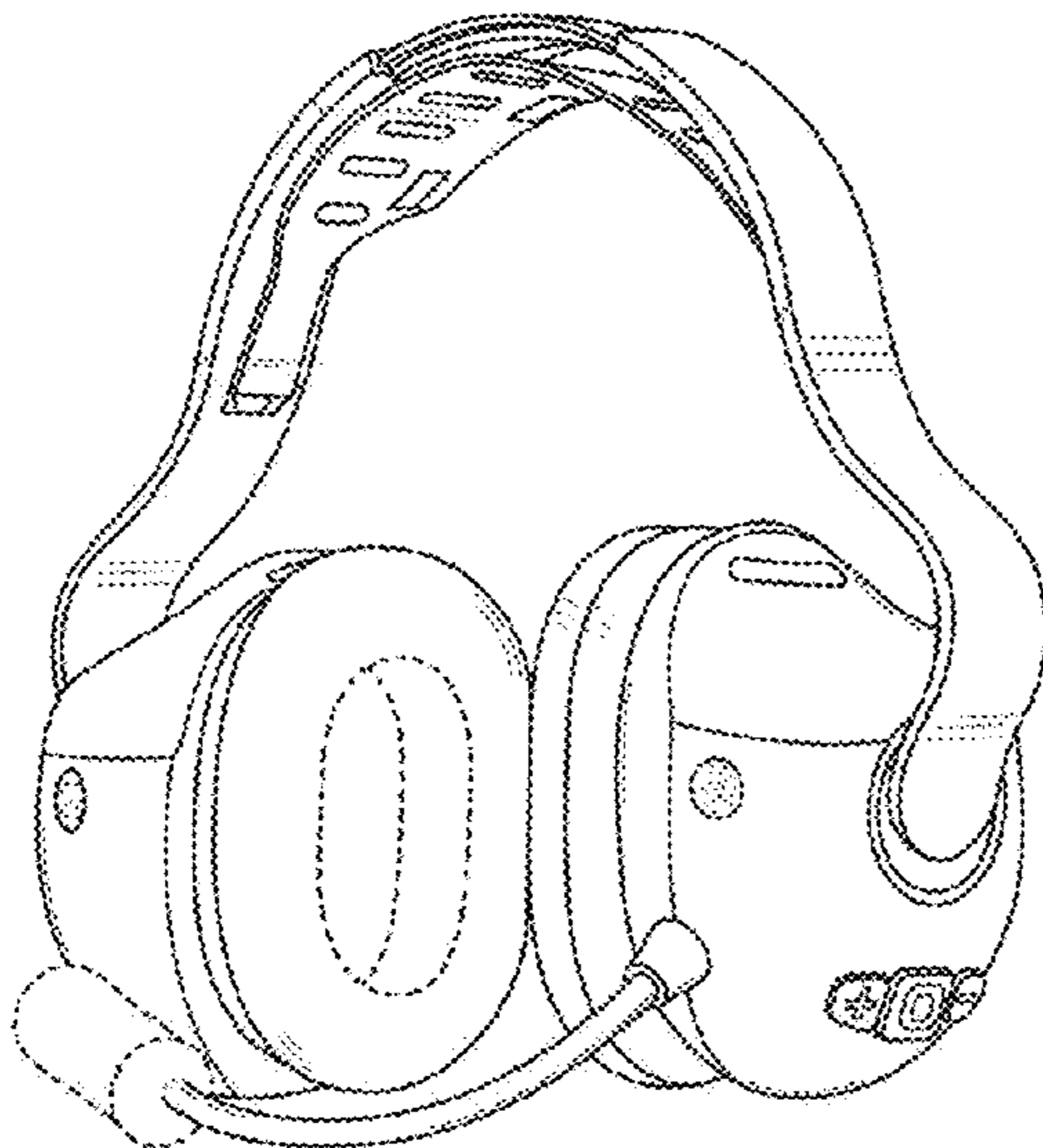
DESCRIPTION

FIG. 1 is a front perspective view of a communication headset showing my new design; FIG. 2 is a front elevation view in an alternate position thereof; FIG. 3 is a left side elevation view of FIG. 1 thereof; FIG. 4 is a left side elevation view of FIG. 2 thereof; FIG. 5 is a right side elevation view of FIG. 1 thereof; and, FIG. 6 is a top plan view of FIG. 1 thereof.

A communication headset having ear cups having mirror image ear cup cushions, a head band connecting the ear cups and capable of articulating about the connections to the ear cups, and a boom microphone. The housings of the ear cups are not mirror images. The ear cups support, variously, forward pointing microphone openings, a boom microphone, pushbuttons, switches, and slots. The characteristic features of the design resides in the articulatable headband and in the pattern of external switches, pushbuttons, microphones, and slots on the ear cup housings.

The broken lines depict environment that forms no part of the claimed design.

1 Claim, 6 Drawing Sheets



(56)

References Cited

U.S. PATENT DOCUMENTS

5,018,599 A * 5/1991 Dohi H04R 1/1008
 181/129
 D322,071 S * 12/1991 Bergin D14/205
 D333,137 S * 2/1993 Burke D14/206
 5,185,807 A * 2/1993 Bergin H04R 1/1066
 181/128
 D337,116 S * 7/1993 Hattori D14/206
 5,384,857 A * 1/1995 Nordin A61F 11/14
 381/374
 5,406,037 A * 4/1995 Nageno H04R 5/0335
 181/129
 D358,390 S * 5/1995 Hayashi D14/205
 5,574,795 A * 11/1996 Seki H04R 5/0335
 381/370
 D377,174 S * 1/1997 Runquist D14/206
 5,793,878 A * 8/1998 Chang H04R 5/0335
 381/370
 D420,356 S * 2/2000 Suzuki D14/205
 D435,249 S * 12/2000 Yasutomi D14/205
 6,295,366 B1 * 9/2001 Haller H04R 5/0335
 379/430
 D458,597 S * 6/2002 Davies D14/206
 D478,328 S * 8/2003 Sumitomo D14/206
 D491,163 S * 6/2004 Green D14/205
 D515,697 S * 2/2006 Nakamura D14/206

D533,869 S * 12/2006 Drambarean D14/225
 D566,187 S * 4/2008 Lau D19/65
 D567,220 S * 4/2008 Wang D14/206
 D581,394 S * 11/2008 Lee D14/205
 D588,100 S * 3/2009 Densho D14/205
 D592,639 S * 5/2009 Kuh D14/205
 D641,727 S * 7/2011 Krauss D14/206
 8,213,667 B2 * 7/2012 Nelson F16C 11/06
 381/370
 D706,244 S * 6/2014 Goransson D14/225
 D708,163 S * 7/2014 Ishikura D14/205
 D715,251 S * 10/2014 Sparks D14/205
 D716,762 S * 11/2014 Greve D14/206
 D722,998 S * 2/2015 Sancho D14/205
 9,036,849 B2 * 5/2015 Thompson H04R 1/083
 381/122
 D734,745 S * 7/2015 Tatkon-Coker D14/225
 9,107,011 B2 * 8/2015 Broadley H04R 29/00
 D740,256 S * 10/2015 Carr D14/206
 D746,793 S * 1/2016 Logan D14/206
 2014/0056459 A1 * 2/2014 Oishi H04R 31/00
 381/370
 2016/0100238 A1 * 4/2016 Broadley H04R 1/1066
 381/371
 2016/0165021 A1 * 6/2016 Broadley H04M 1/0258
 455/569.1
 2016/0286019 A1 * 9/2016 Broadley H04M 1/6058

* cited by examiner

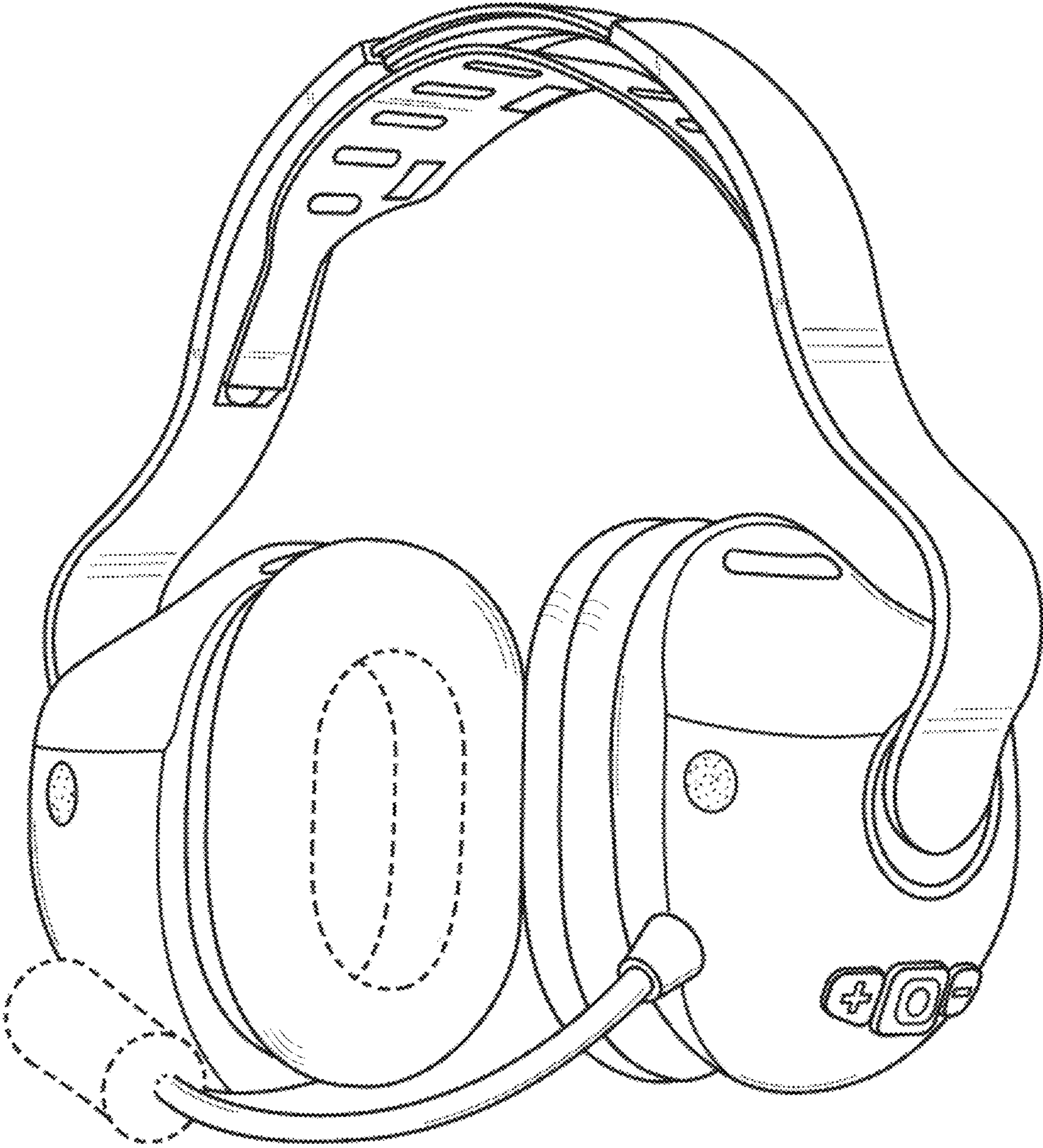


FIG. 1

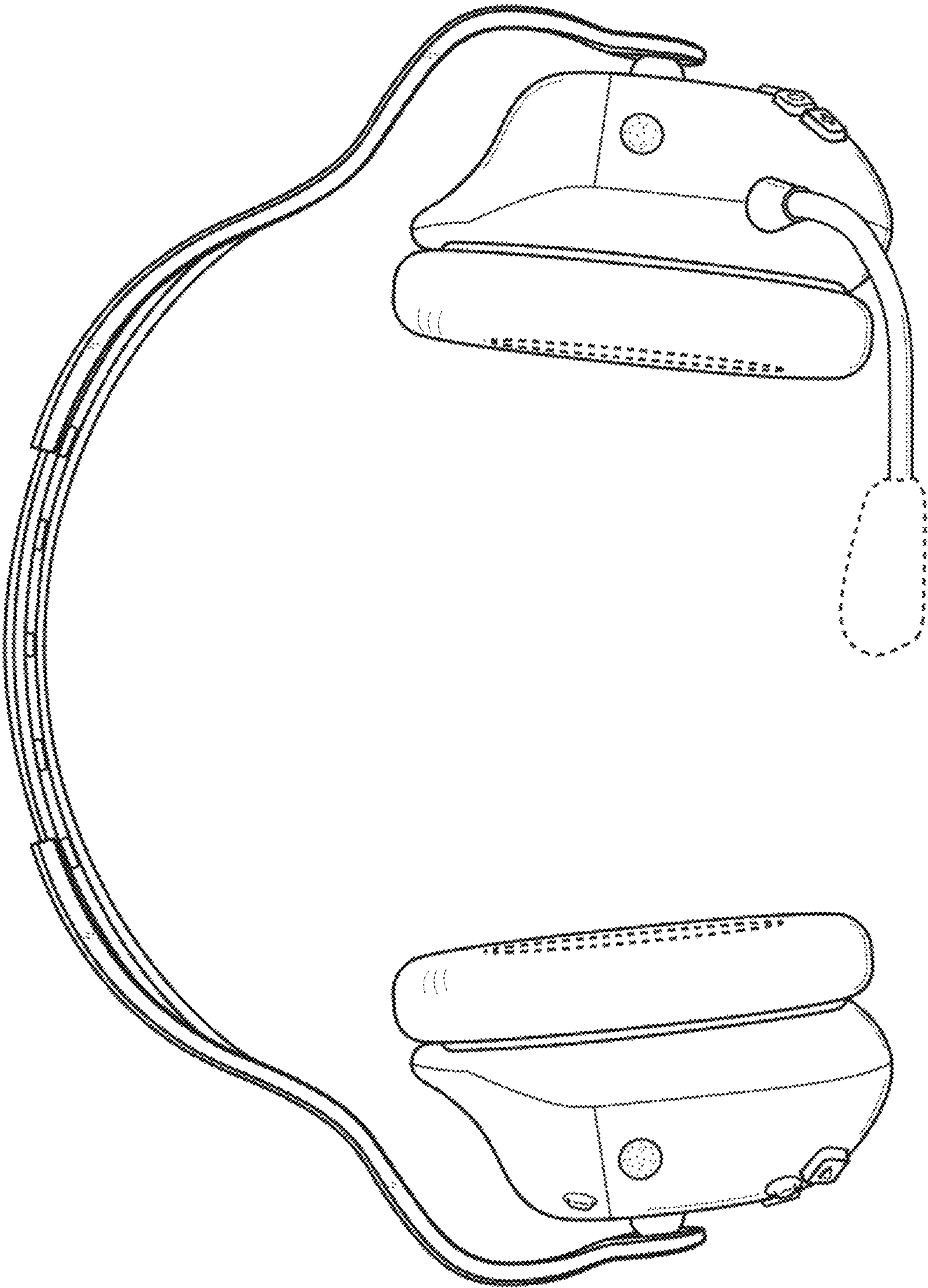


FIG. 2

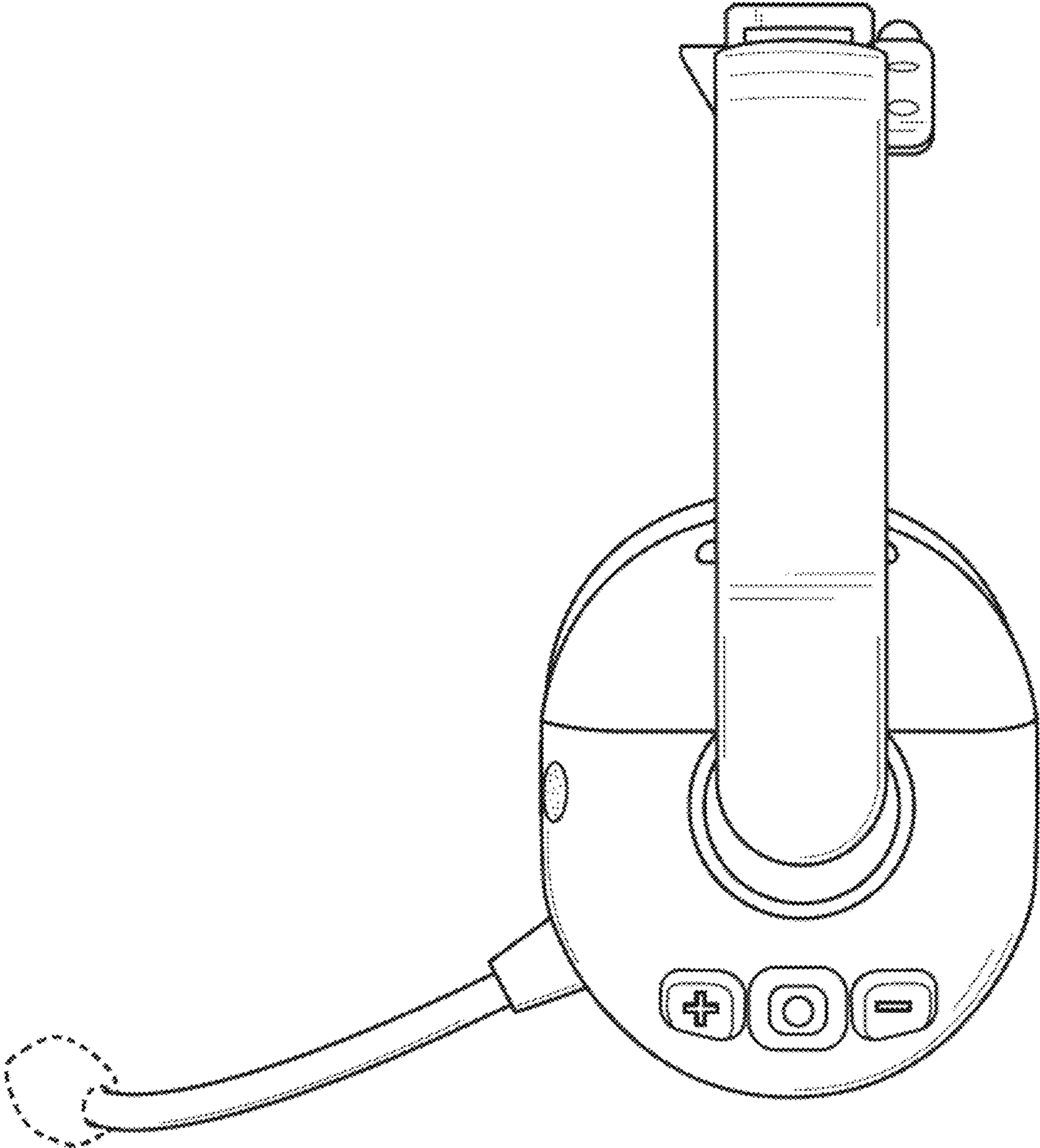


FIG. 3

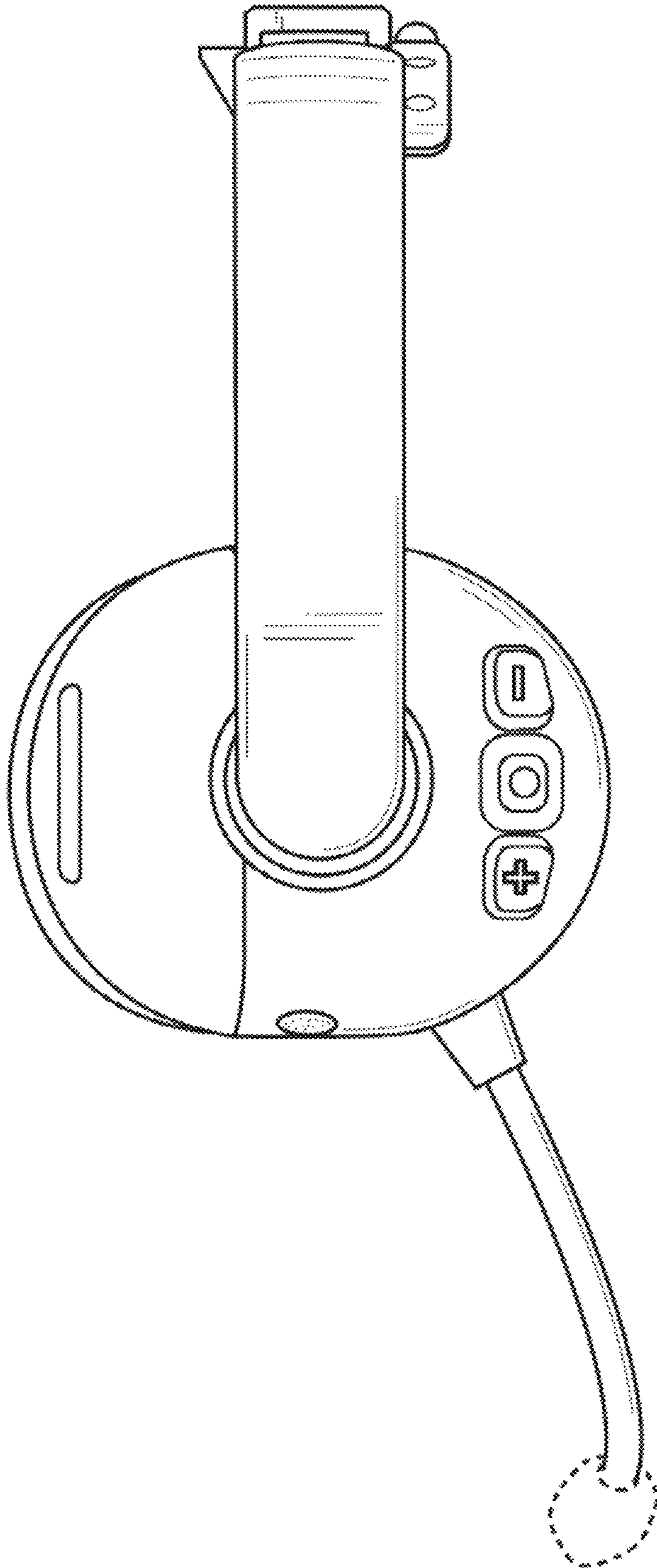


FIG. 4

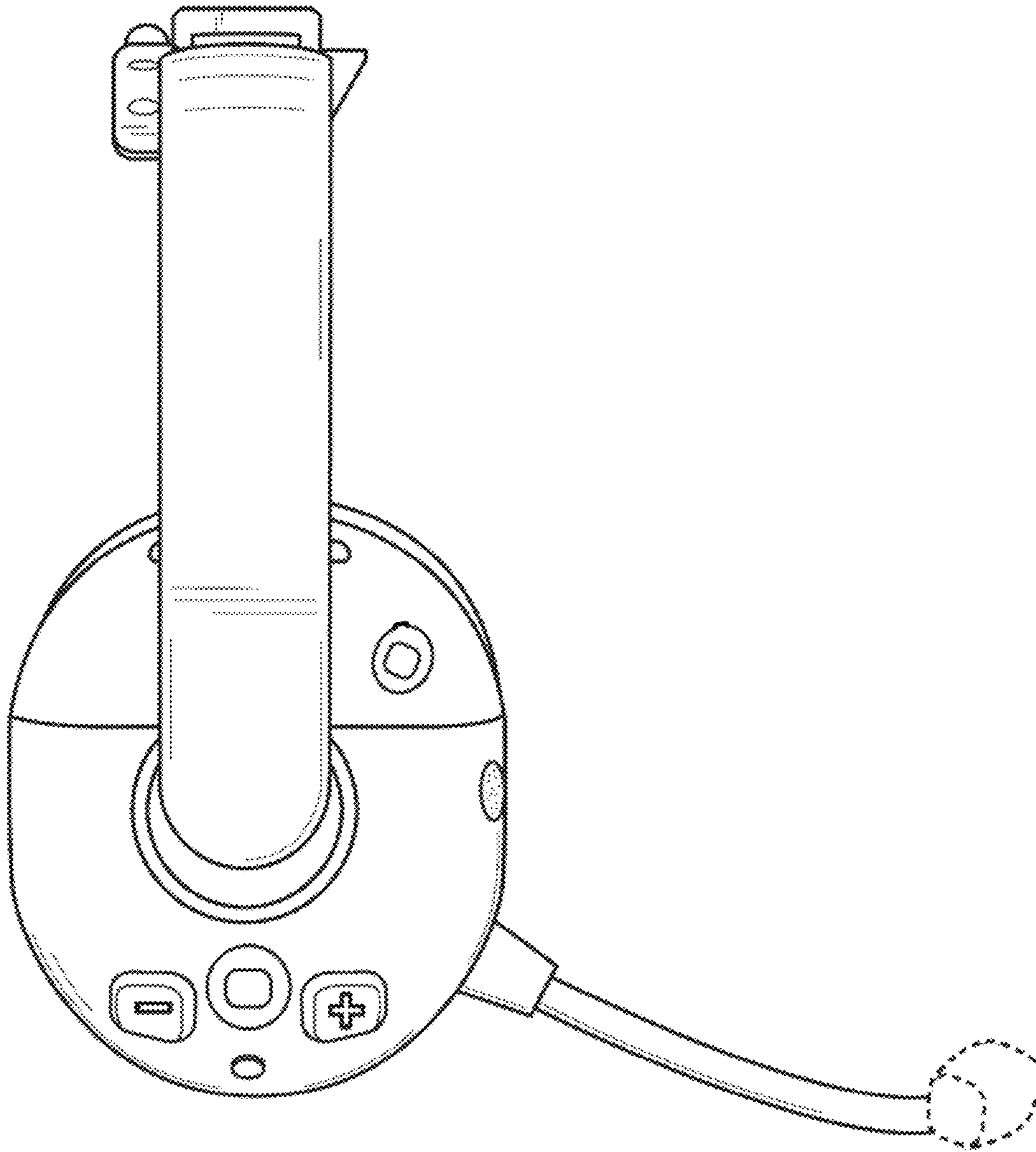


FIG. 5

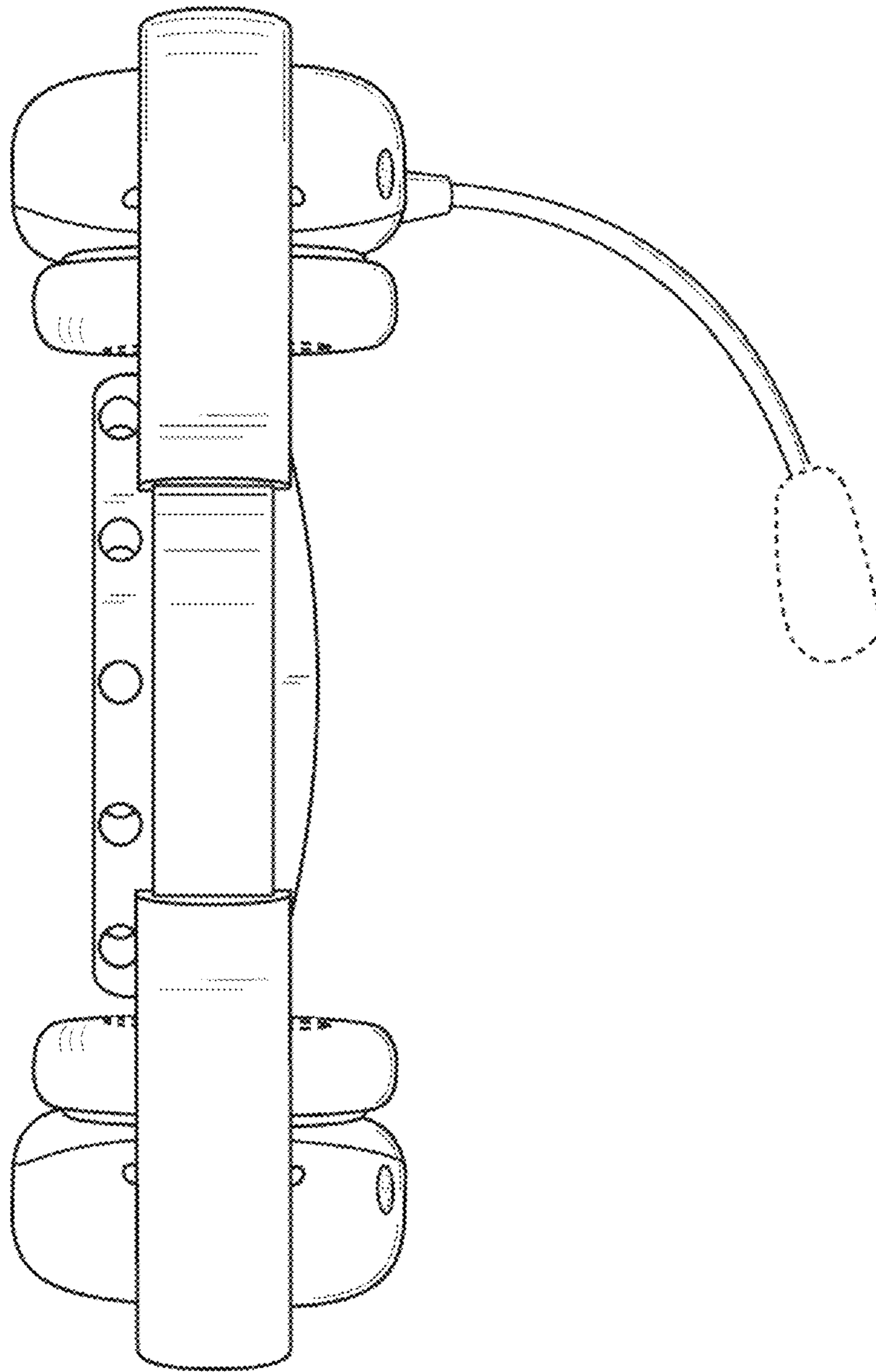


FIG. 6