



US00D790505S

(12) **United States Design Patent**
Vargo et al.

(10) **Patent No.:** **US D790,505 S**
(45) **Date of Patent:** **** Jun. 27, 2017**

- (54) **WIRELESS AUDIO HEADSET**
- (71) Applicant: **Hand Held Products, Inc.**, Fort Mill, SC (US)
- (72) Inventors: **Robert Vargo**, North Huntingdon, PA (US); **Richard Sharbaugh**, New Kensington, PA (US); **Andrew Lyle Walston**, Clinton, WA (US); **Graham Peter Byrne**, Wexford, PA (US); **Bryan DiPiazza**, Belle Vernon, PA (US); **Leslie McKay**, Jeannette, PA (US); **Matthew W. Shope**, Beaver Falls, PA (US)

- 5,787,166 A * 7/1998 Ullman H04M 1/05 379/430
- D430,146 S * 8/2000 Lin D14/223
- D439,890 S * 4/2001 Skulley D14/206
- D443,871 S * 6/2001 Hofstede D14/206
- D460,960 S * 7/2002 Kao D14/223
- D464,943 S * 10/2002 Lai D14/206
- D467,908 S * 12/2002 Bey D14/223
- D476,645 S * 7/2003 Padala D14/223
- D478,574 S * 8/2003 Ming D14/223
- D480,711 S * 10/2003 Kuan D14/223
- D482,348 S * 11/2003 Villaverde D14/223
- D487,078 S * 2/2004 Chen D14/206
- D490,399 S * 5/2004 Kamo D14/206
- D492,667 S * 7/2004 Skulley D14/223
- 6,760,459 B2 * 7/2004 Bae H04R 1/1025 379/430
- D494,569 S * 8/2004 Ma D14/223
- D498,750 S * 11/2004 Ma D14/223

- (73) Assignee: **Hand Held Products, Inc.**, Fort Mill, SC (US)

(**) Term: **15 Years**

(21) Appl. No.: **29/530,600**

(22) Filed: **Jun. 18, 2015**

(51) **LOC (10) Cl.** **14-01**

(52) **U.S. Cl.**
USPC **D14/206**

(58) **Field of Classification Search**
USPC D14/223, 206, 205; 181/129, 130, 135; 379/430, 431; 381/380, 381, 370, 371, 381/374; 455/90.3, 575.1
CPC H04R 1/1016; H04R 25/00; H04R 1/1066; H04R 1/10; H04R 1/105; H04R 1/1091; H04R 1/083; H04M 1/05; H04M 1/03
See application file for complete search history.

(56) **References Cited**

U.S. PATENT DOCUMENTS

- 3,621,156 A * 11/1971 Kliewer H04M 1/05 379/430
- D357,921 S * 5/1995 Ming-Chin D14/223

Primary Examiner — Paula Greene
(74) *Attorney, Agent, or Firm* — Additon, Higgins & Pendleton, P.A.

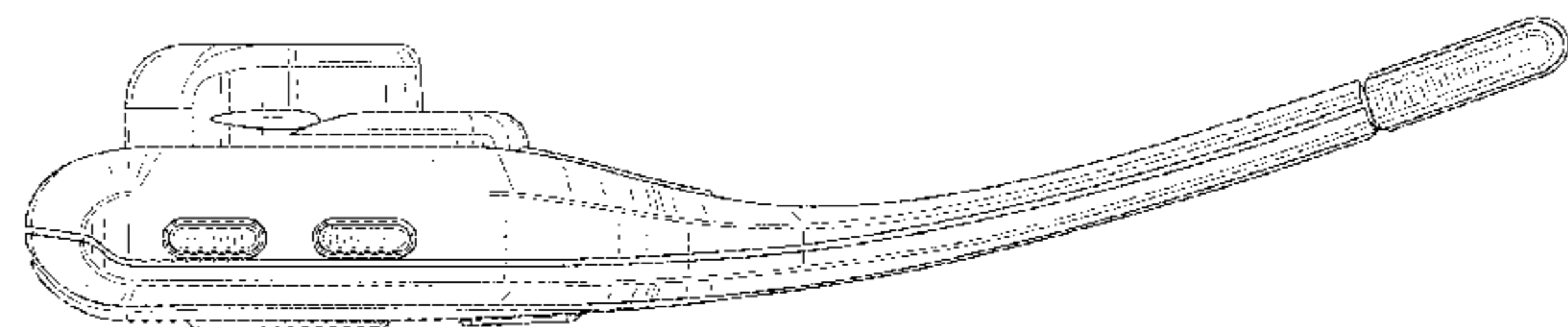
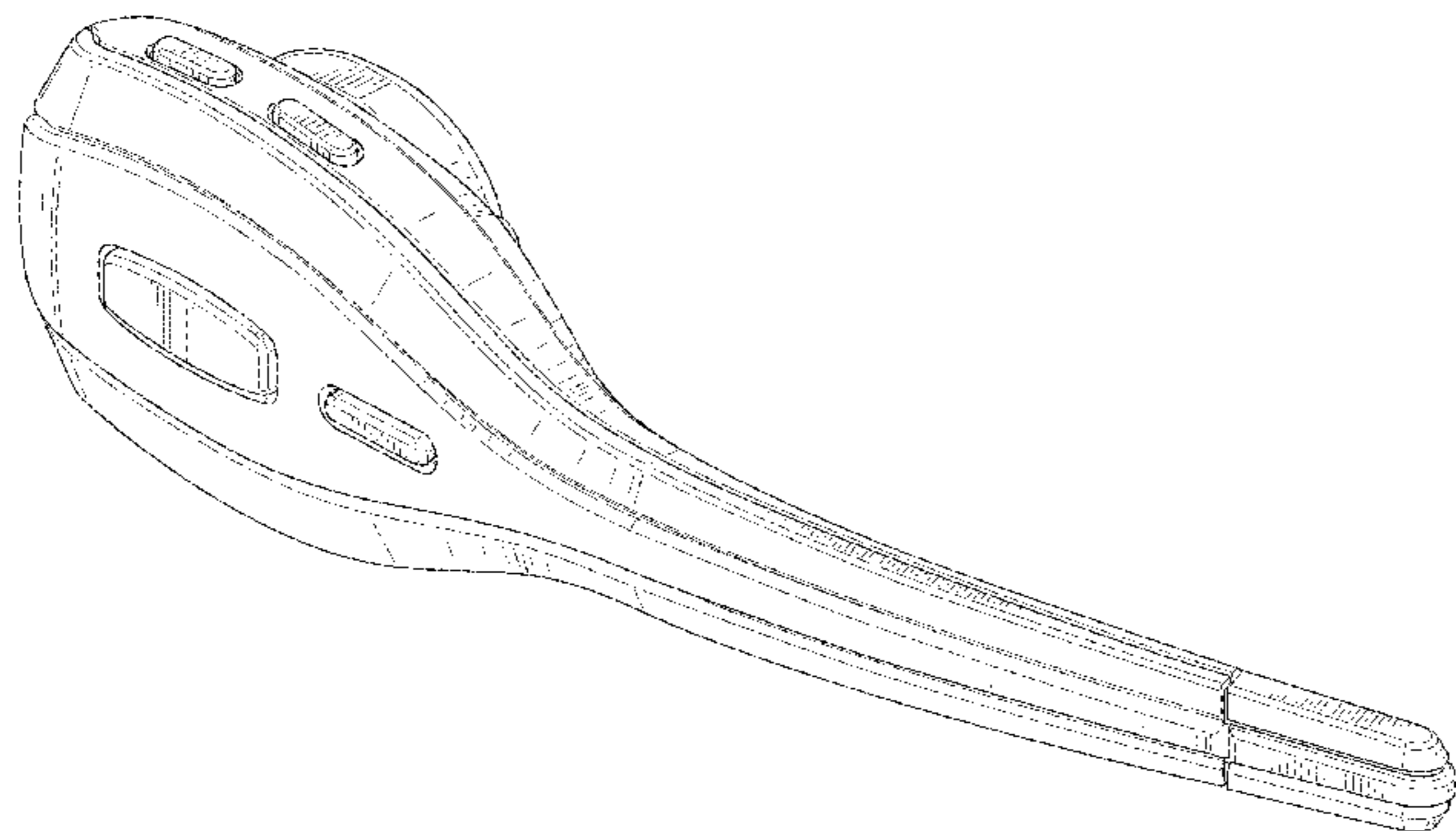
(57) **CLAIM**

The ornamental design for a wireless audio headset, as shown and described.

DESCRIPTION

FIG. 1 is a front perspective view of a wireless audio headset in accordance with the present design; FIG. 2 is a front elevation view thereof; FIG. 3 is a back elevation view thereof; FIG. 4 is a left elevation view thereof; FIG. 5 is a right elevation view thereof; FIG. 6 is a top elevation view thereof; and, FIG. 7 is a bottom elevation view thereof. Broken lines shown in the drawings of the wireless audio headset are for illustrative purposes only and form no part of the claimed design.

1 Claim, 7 Drawing Sheets



(56)

References Cited

U.S. PATENT DOCUMENTS

6,819,762 B2 * 11/2004 Jones H04M 1/05
379/430
6,839,448 B2 * 1/2005 Chen H04R 1/105
381/370
D521,987 S * 5/2006 Ma D14/223
7,106,877 B1 * 9/2006 Linville H04R 1/1066
381/370
7,162,280 B2 * 1/2007 Fukuda H04M 1/03
455/575.1
D537,815 S * 3/2007 Bentley D14/206
D581,900 S * 12/2008 Caddes D14/206
D598,895 S * 8/2009 Bentley D14/206
D604,718 S * 11/2009 Paterson D14/206
D640,232 S * 6/2011 Brandis D14/206
D730,868 S * 6/2015 Birger D14/206
D730,877 S * 6/2015 Harper D14/206
9,264,792 B2 * 2/2016 Mainini H04R 1/105
2002/0131585 A1 * 9/2002 Jones H04M 1/05
379/431
2003/0072466 A1 * 4/2003 Eisenbraun H04R 1/083
381/381
2004/0141628 A1 * 7/2004 Villaverde H04R 1/105
381/381
2004/0190743 A1 * 9/2004 Chen H04R 1/105
381/370
2004/0190745 A1 * 9/2004 Chen H04R 1/1066
381/381
2014/0241560 A1 * 8/2014 Shimizu H04R 1/1091
381/375
2016/0373847 A1 * 12/2016 Vargo H04R 1/10

* cited by examiner

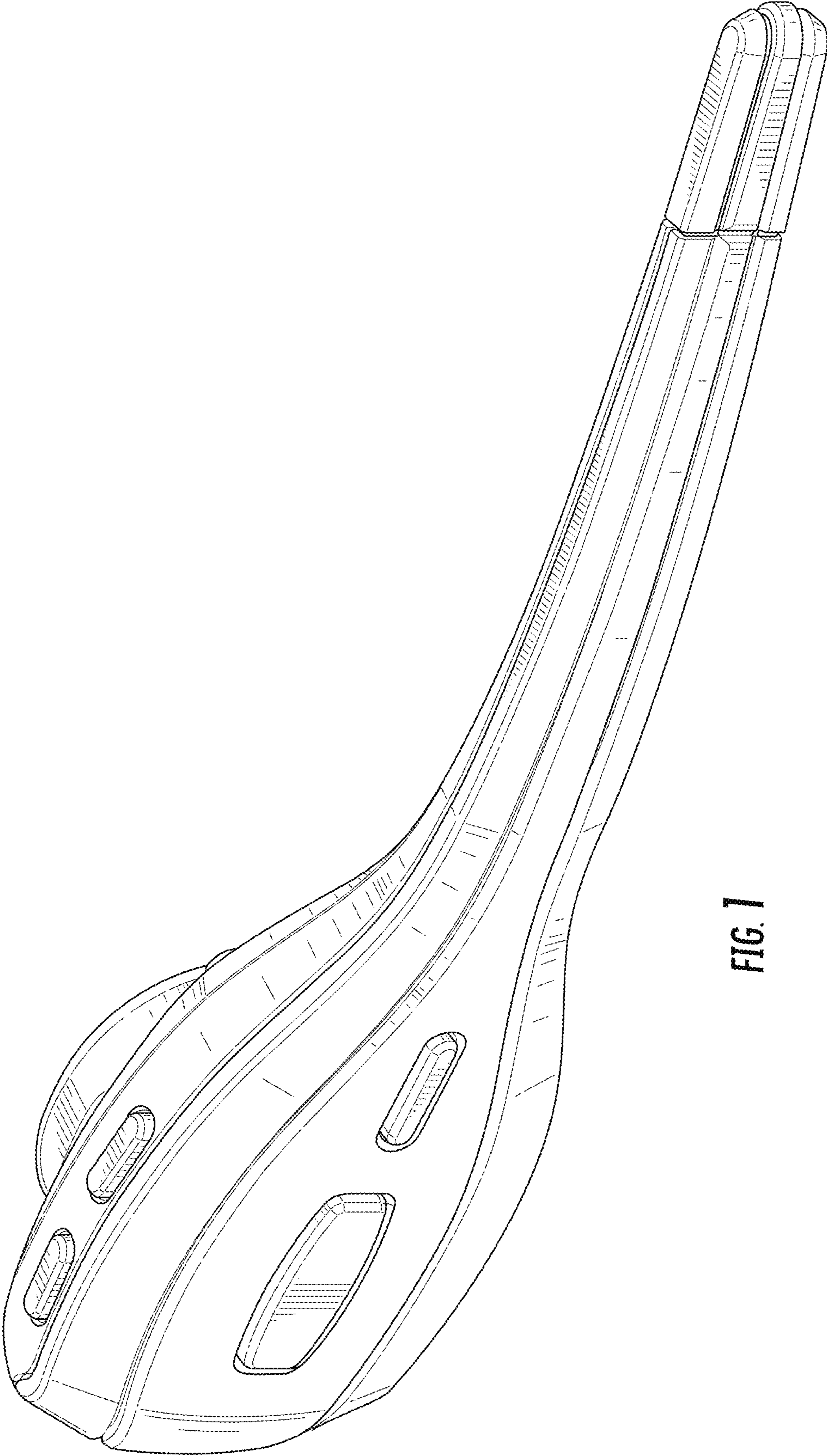


FIG. 1

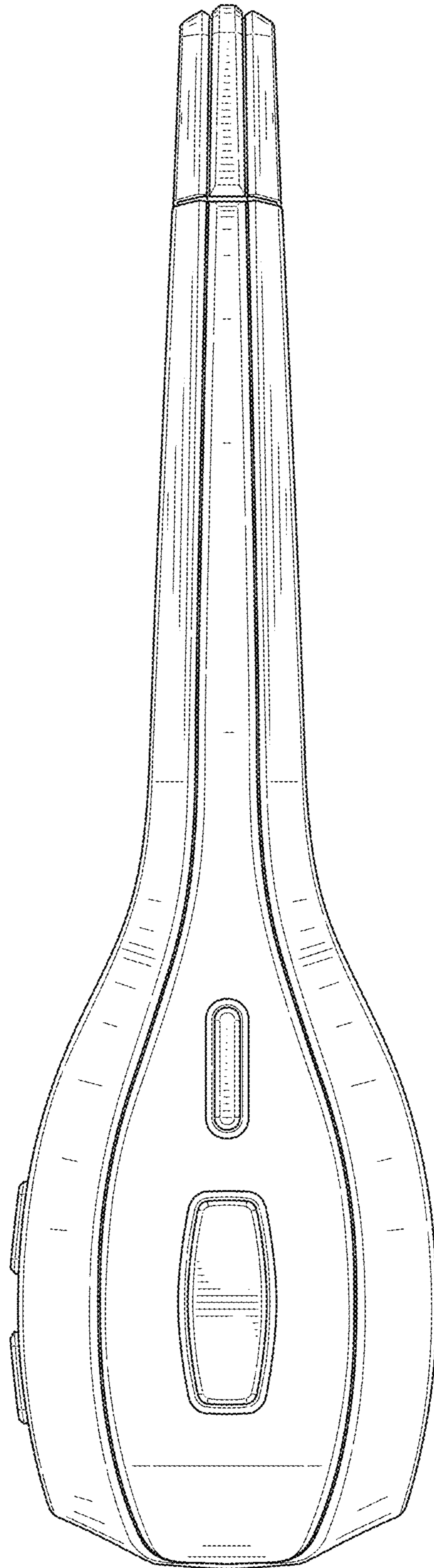


FIG. 2

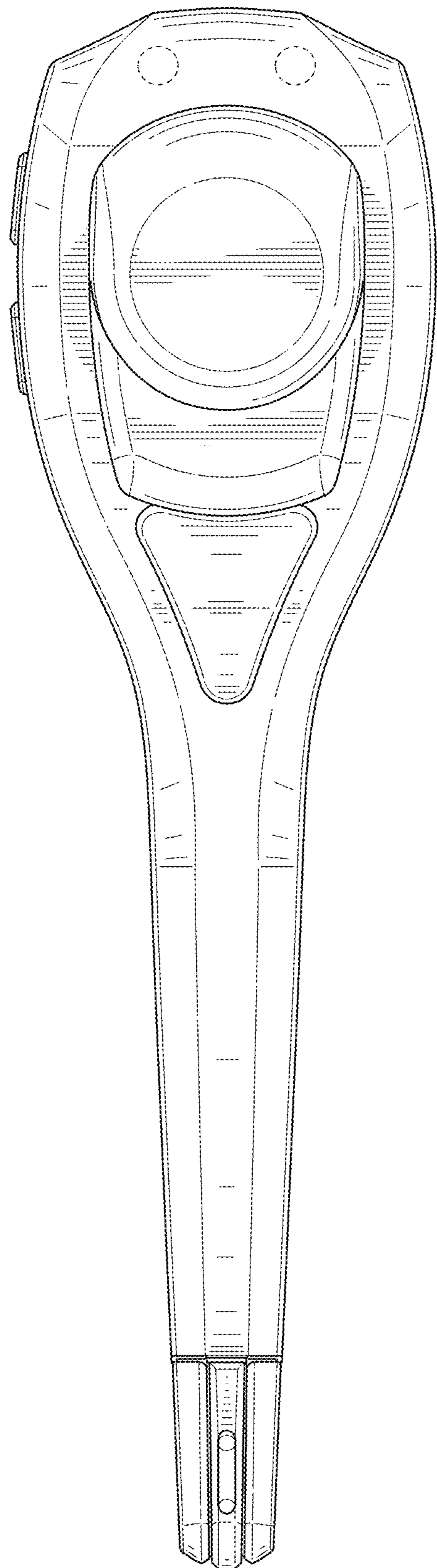


FIG. 3

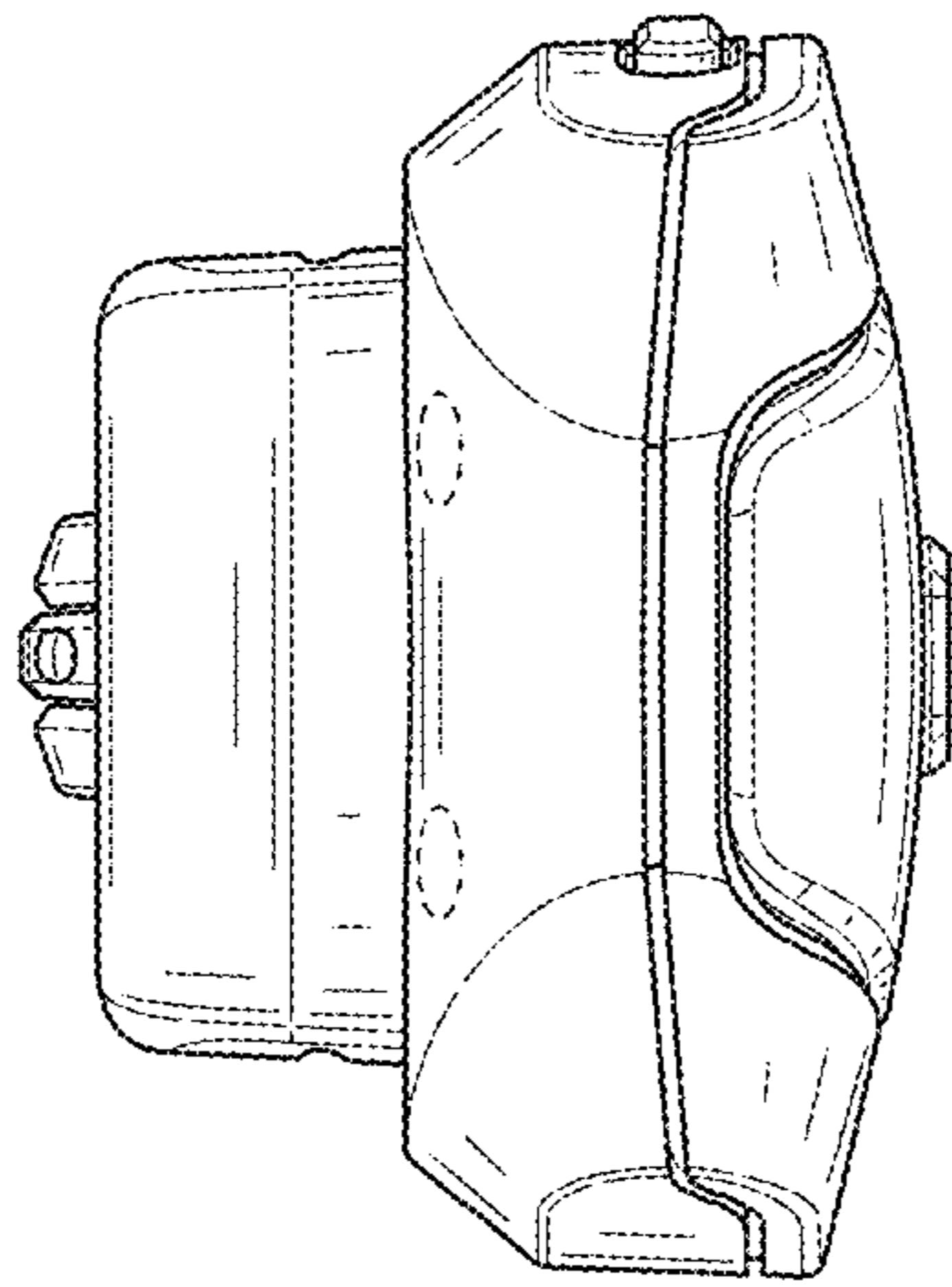


FIG. 4

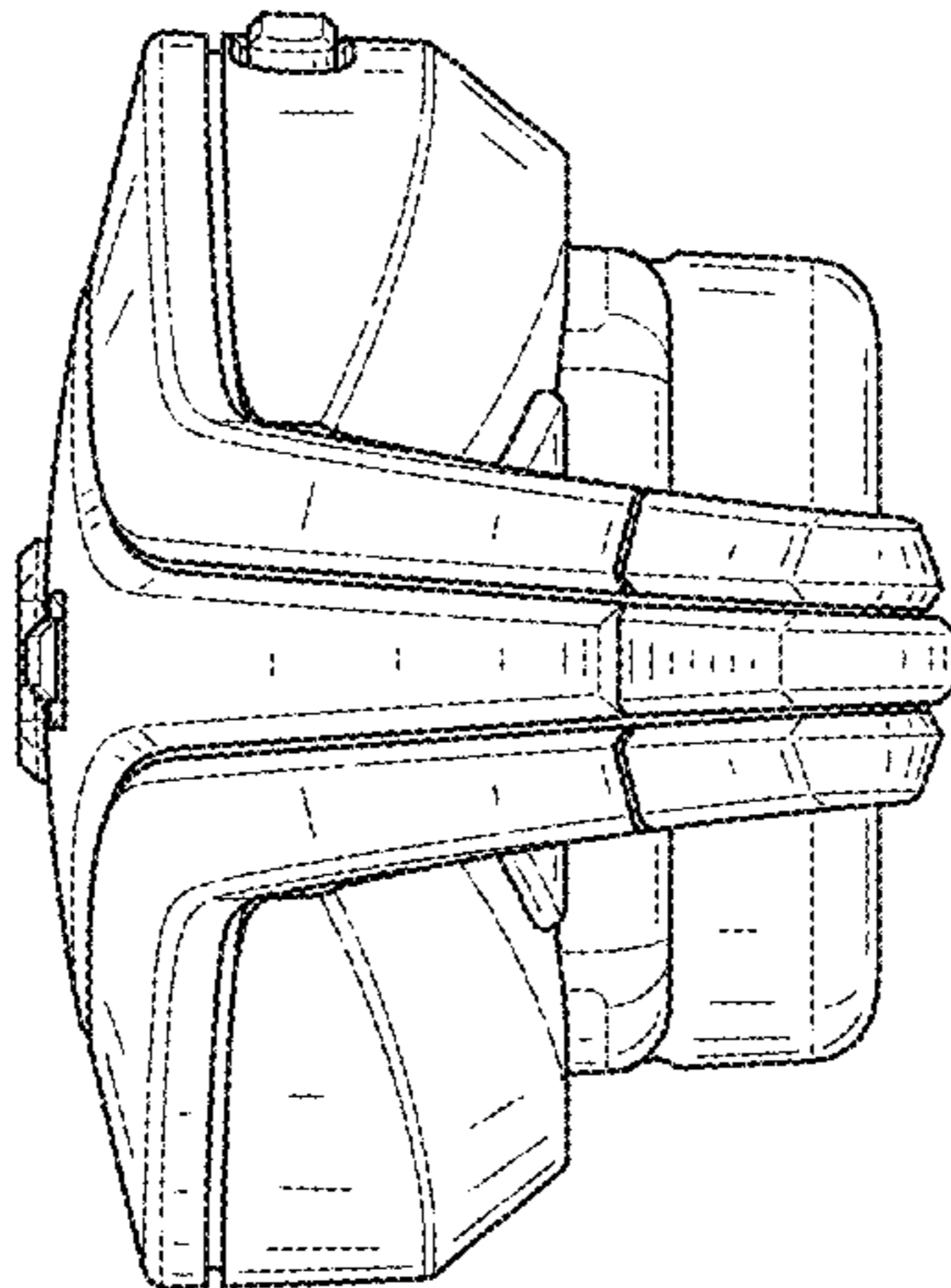


FIG. 5

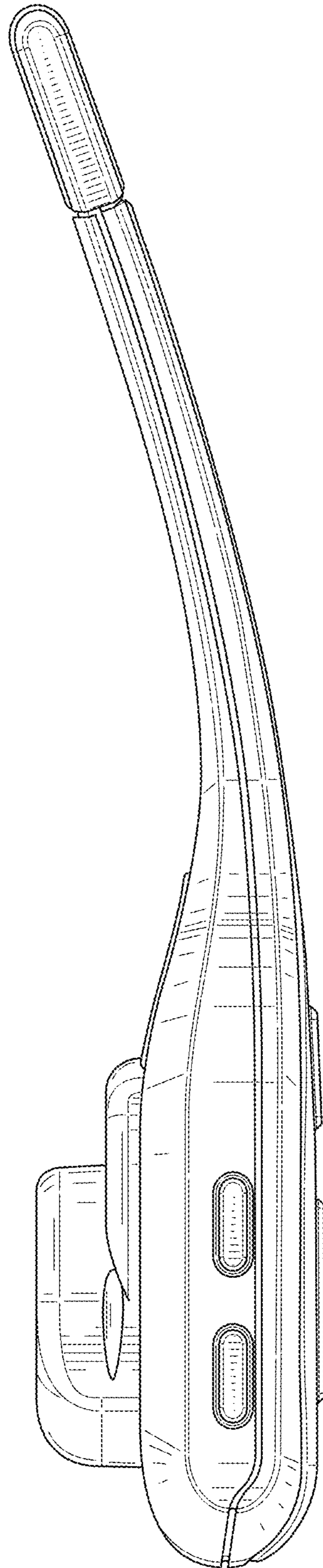


FIG. 6

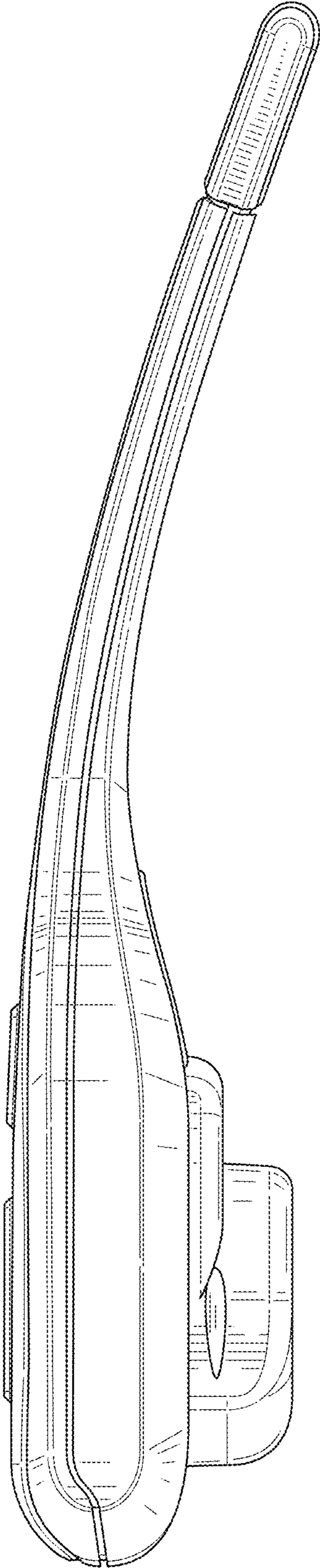


FIG. 7