



US00D790504S

(12) **United States Design Patent**
Tam

(10) **Patent No.:** **US D790,504 S**
(45) **Date of Patent:** **** Jun. 27, 2017**

- (54) **OVER EAR HEADPHONE**
- (71) Applicant: **ARCTIC (HK) Limited**, Hong Kong (HK)
- (72) Inventor: **Hoi Lok Tam**, Kowloon (HK)
- (73) Assignee: **ARCTIC (HK) LIMITED**, Hong Kong (HK)
- (**) Term: **15 Years**
- (21) Appl. No.: **29/552,990**
- (22) Filed: **Jan. 27, 2016**
- (51) **LOC (10) Cl.** **14-01**
- (52) **U.S. Cl.**
USPC **D14/205**
- (58) **Field of Classification Search**
USPC D14/205, 188, 192; D29/112; 2/209;
181/129, 130, 135; 379/430, 431;
381/380, 381, 374
CPC H04R 1/1066; H04R 1/1016; H04R 5/033;
H04R 5/0335; H04R 25/00
See application file for complete search history.

D394,058 S *	5/1998	Fitzgerald	D14/142
D394,436 S *	5/1998	Hall	D14/206
5,794,127 A *	8/1998	Lansang	H04R 1/1041 340/12.5
D429,229 S *	8/2000	Fitzgerald	D14/142
D441,734 S *	5/2001	Fitzgerald	D14/142
D449,290 S *	10/2001	Taylor	D14/206
D456,379 S *	4/2002	Fitzgerald	D14/142
6,449,806 B1 *	9/2002	Engelhard	H04M 1/05 2/209
D497,357 S *	10/2004	Allum	D14/206
D534,155 S *	12/2006	Obata	D14/205
D540,301 S *	4/2007	Obata	D14/205
D552,077 S *	10/2007	Brunner	D14/205
D576,604 S *	9/2008	Suzuki	D14/205
D588,100 S *	3/2009	Densho	D14/205
D593,995 S *	6/2009	Shimizu	D14/205
D604,269 S *	11/2009	Choe	D14/205
D617,769 S *	6/2010	Birger	D14/205

(Continued)

Primary Examiner — Paula Greene

(74) *Attorney, Agent, or Firm* — Adam R. Stephenson, Ltd.

(57) **CLAIM**

The ornamental design for over ear headphone, as shown and described.

DESCRIPTION

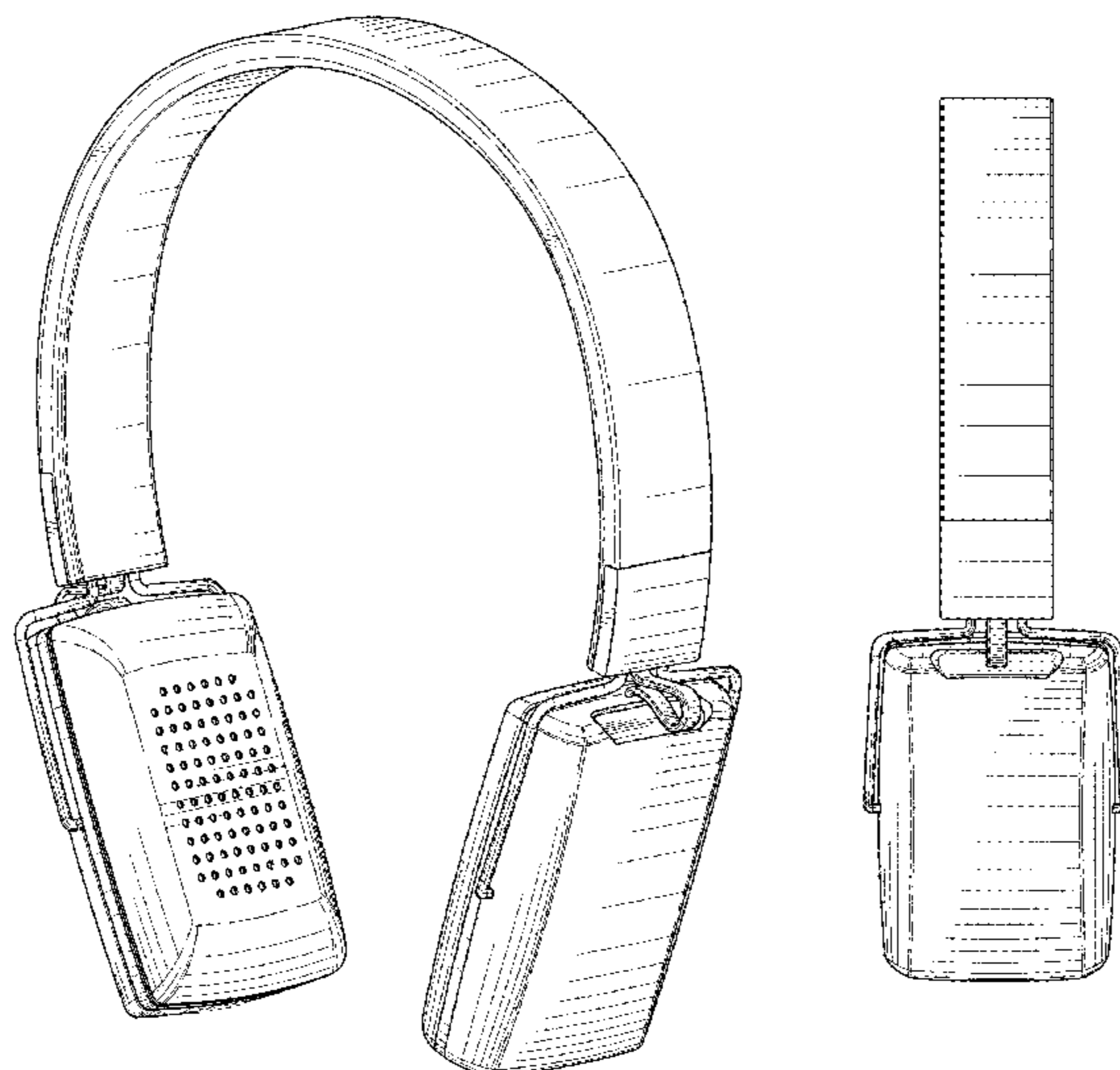
FIG. 1 is front perspective view of an embodiment of over ear headphone;
 FIG. 2 is a front view thereof;
 FIG. 3 is rear view thereof;
 FIG. 4 is a left side view thereof;
 FIG. 5 is a right side view thereof;
 FIG. 6 is a top view thereof; and,
 FIG. 7 is a bottom view thereof.
 All broken lines represent unclaimed features of the article to which the design is applied.

1 Claim, 5 Drawing Sheets

(56) **References Cited**

U.S. PATENT DOCUMENTS

D195,304 S *	5/1963	Little et al.	D14/205
D244,037 S *	4/1977	Warner	D14/205
4,175,217 A *	11/1979	Williams	H04M 1/23 379/430
4,821,318 A *	4/1989	Wu	H04M 1/05 379/430
D301,145 S *	5/1989	Besasio	D14/205
5,003,589 A *	3/1991	Chen	H04M 1/05 379/430
D317,767 S *	6/1991	Banks	D14/205
5,086,464 A *	2/1992	Groppe	H04M 1/05 2/171
5,113,428 A *	5/1992	Fitzgerald	H04B 1/3816 379/430
D364,617 S *	11/1995	Fitzgerald	D14/142



(56)

References Cited

U.S. PATENT DOCUMENTS

D625,705	S	*	10/2010	Ohori	D14/205
D632,668	S	*	2/2011	Brunner	D14/205
D638,397	S	*	5/2011	McManigal	D14/205
D641,725	S	*	7/2011	Chong	D14/205
D652,406	S	*	1/2012	Lee	D14/205
D656,480	S	*	3/2012	McManigal	D14/205
D657,344	S	*	4/2012	Brunner	D14/205
D666,579	S	*	9/2012	Hou	D14/205
D688,648	S	*	8/2013	Li	D14/205
D697,048	S	*	1/2014	Pavitsich	D14/205
D713,374	S	*	9/2014	Farrage	D14/205
D717,276	S	*	11/2014	Zhou	D14/205
D737,821	S	*	9/2015	Cho	D14/205
D739,843	S	*	9/2015	Daniel	D14/205
D742,357	S	*	11/2015	Chung	D14/205
D743,369	S	*	11/2015	Mackiewicz	D14/205
D758,991	S	*	6/2016	Petersen	D14/205
D772,842	S	*	11/2016	Sharp	D14/205
2010/0046781	A1	*	2/2010	Chen	H04R 1/1091 381/371

* cited by examiner

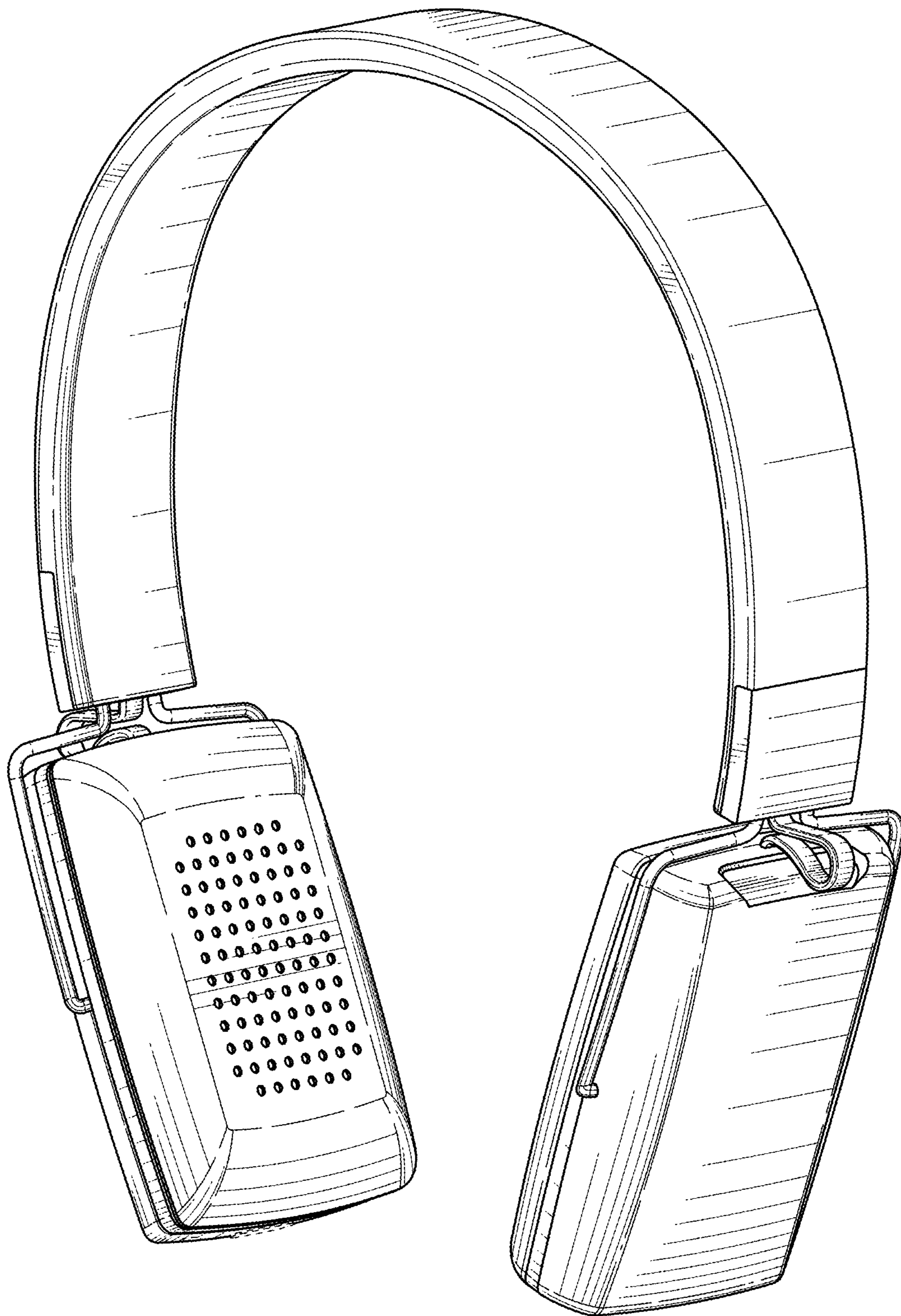


FIG. 1



FIG. 2

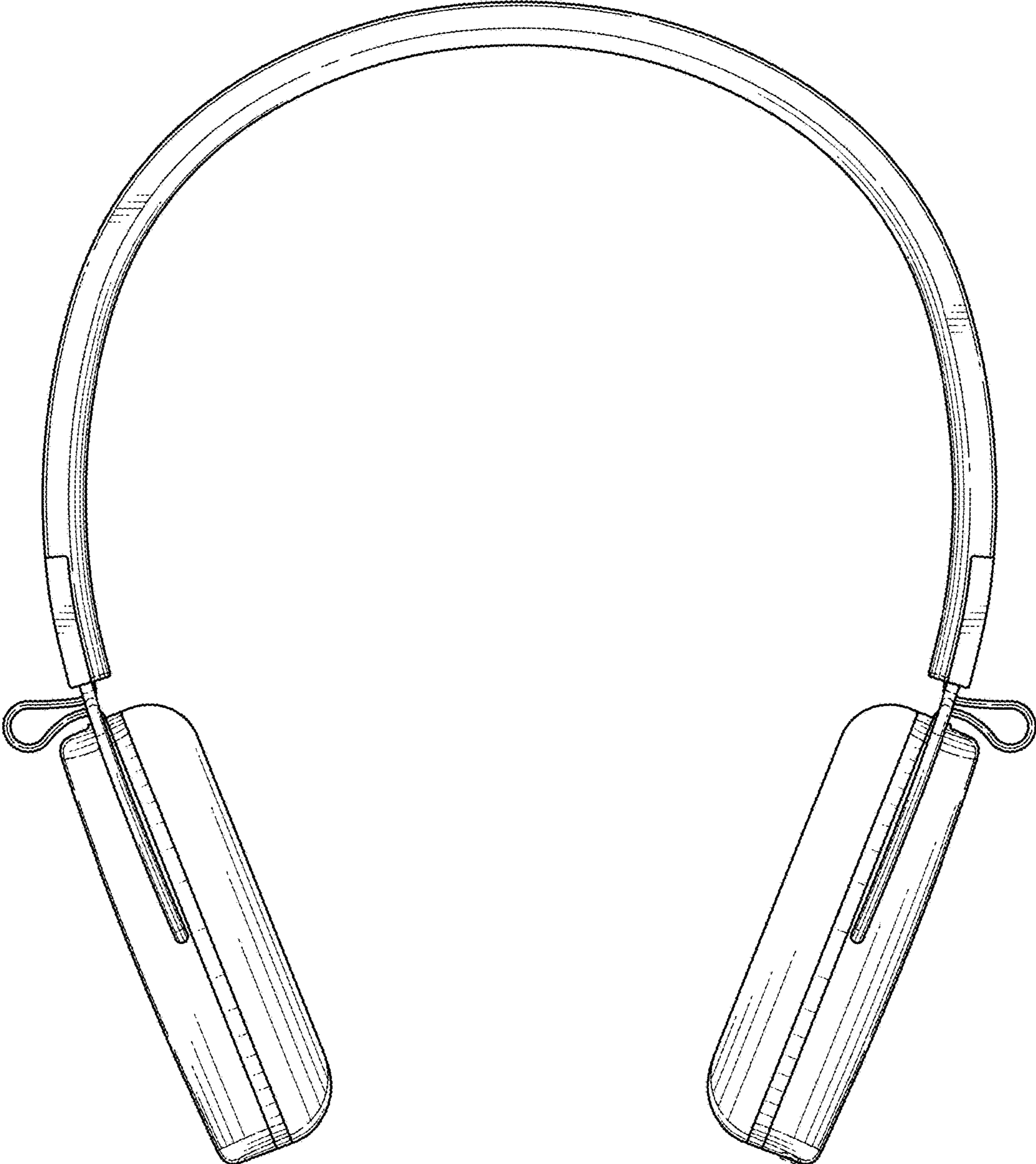


FIG. 3

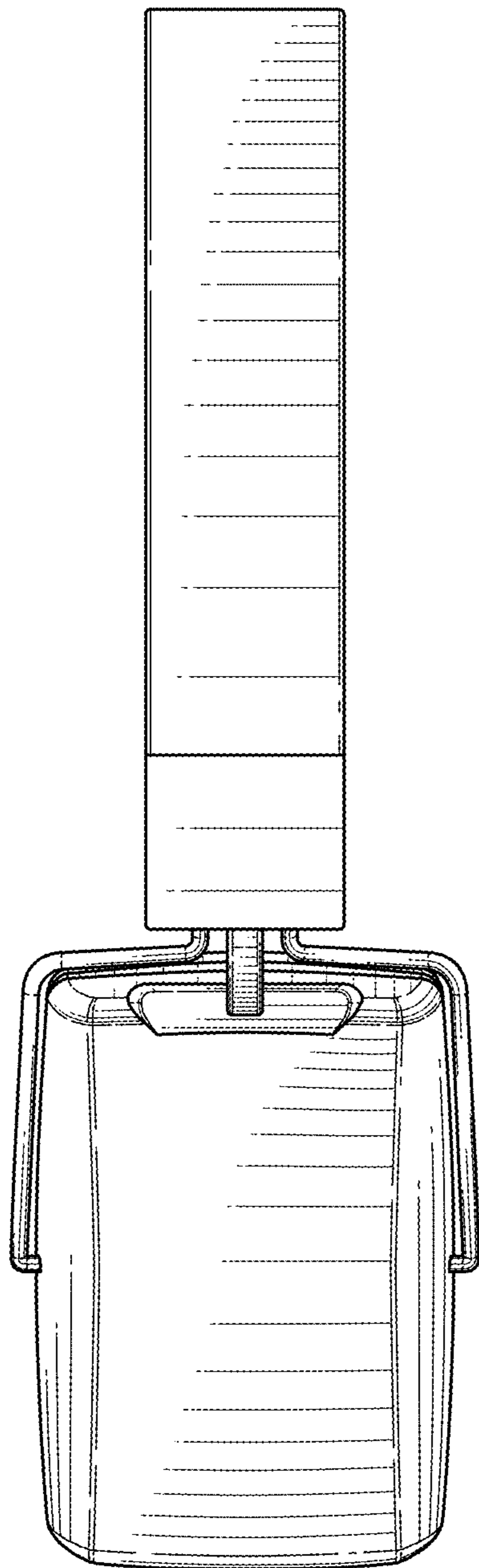


FIG. 4

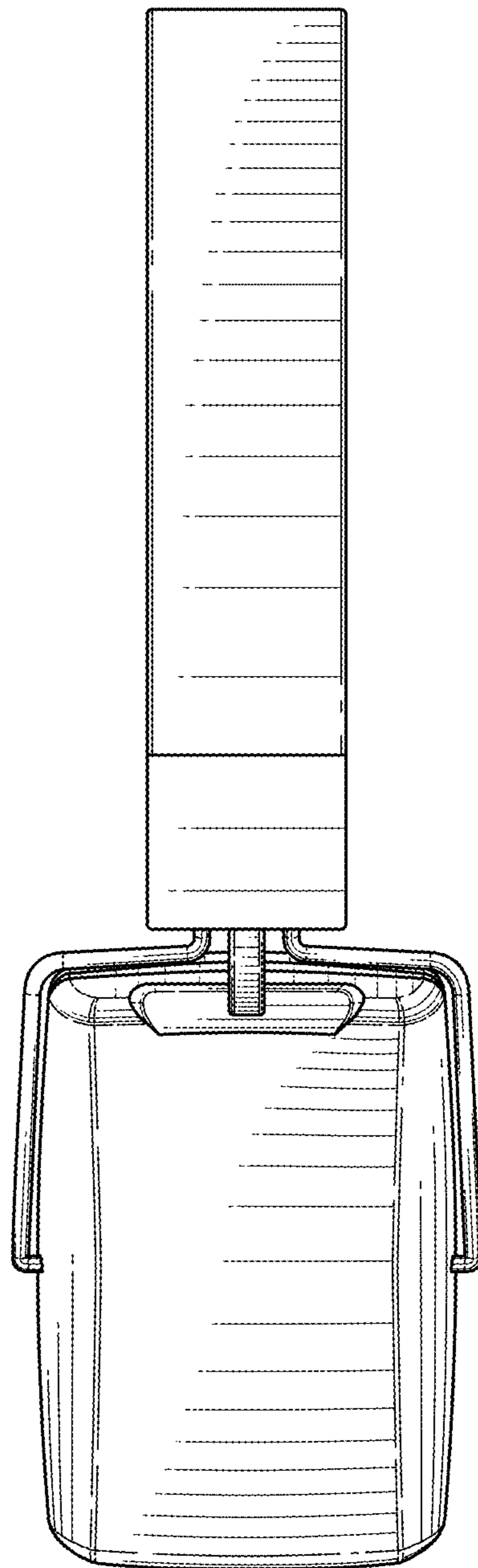


FIG. 5

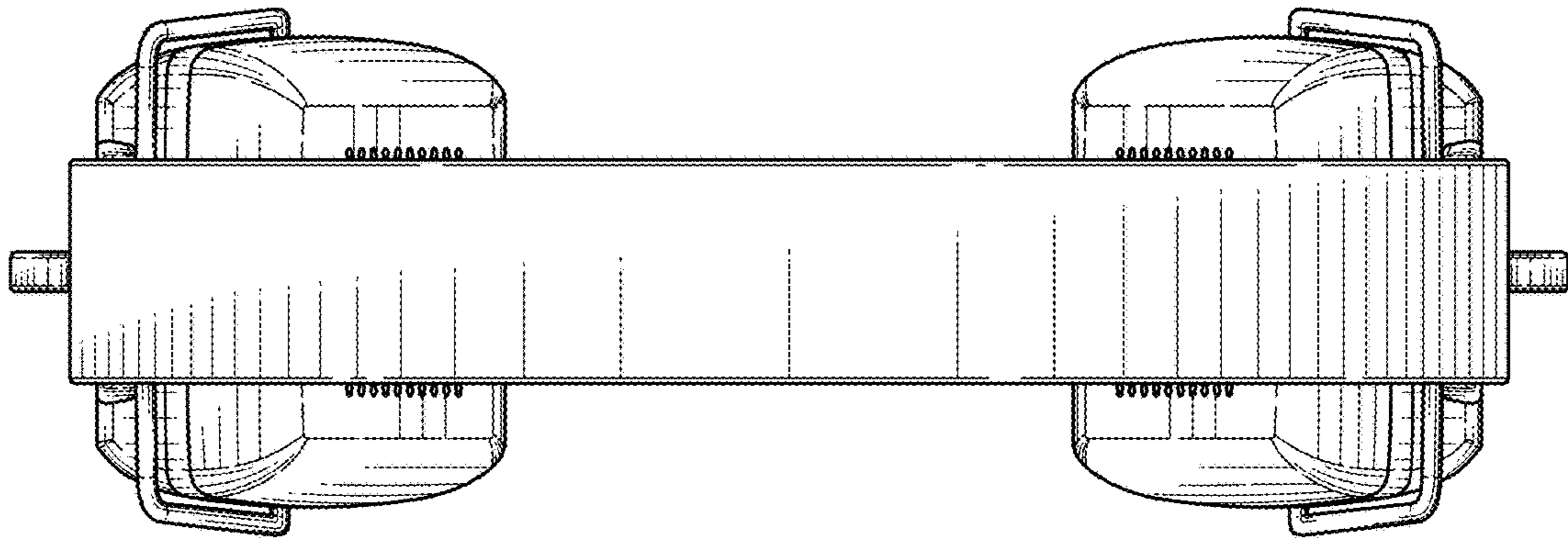


FIG. 6

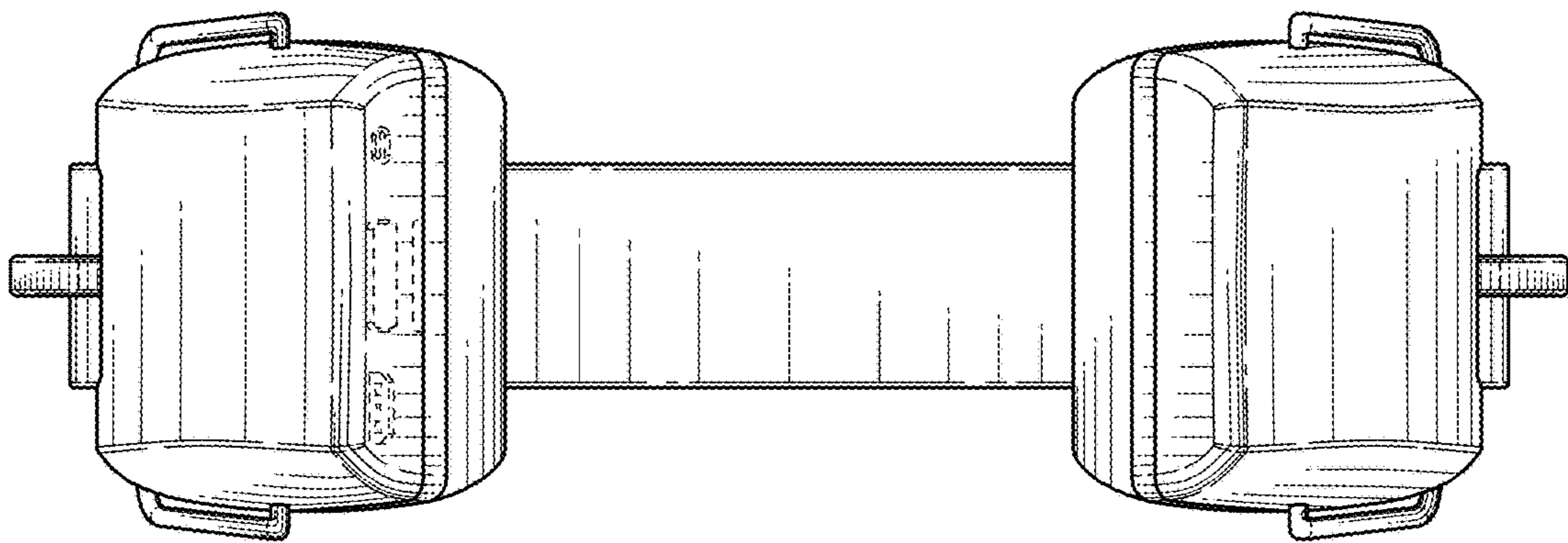


FIG. 7