



US00D790500S

(12) **United States Design Patent**
Morisawa

(10) **Patent No.:** **US D790,500 S**

(45) **Date of Patent:** **** Jun. 27, 2017**

(54) **SPEAKER**

(71) Applicant: **Sony Mobile Communications Inc.,**
Tokyo (JP)

(72) Inventor: **Yujin Morisawa, Tokyo (JP)**

(73) Assignee: **Sony Mobile Communications Inc.,**
Tokyo (JP)

(**) Term: **14 Years**

(21) Appl. No.: **29/524,555**

(22) Filed: **Apr. 21, 2015**

(30) **Foreign Application Priority Data**

Nov. 6, 2014 (EM) 002572305

(51) **LOC (10) Cl.** **14-01**

(52) **U.S. Cl.**
USPC **D14/204**

(58) **Field of Classification Search**
USPC D14/167, 168, 170-172, 188, 203.6, 204,
D14/209.1, 210-216, 219, 224, 509;
181/144, 148, 153, 157, 198, 199;
369/6-12; 381/301-303, 306, 332, 334,
381/336, 345, 361-363, 386-388
CPC G06F 1/1688; H04R 1/02; H04R 1/025;
H04R 1/026; H04R 1/323; H04R 1/403;
H04R 1/2803; H04R 1/2834; H04R 5/02;
H04R 9/06
See application file for complete search history.

(56) **References Cited**

U.S. PATENT DOCUMENTS

D485,251 S * 1/2004 Lee D14/499
D541,260 S * 4/2007 Christianson D14/215

D545,296 S * 6/2007 Yang D14/500
D579,024 S * 10/2008 Sawai D14/496
D606,514 S * 12/2009 Ludlum D14/207
D606,515 S * 12/2009 Ludlum D14/207
D617,312 S * 6/2010 Ludlum D14/207
D676,018 S * 2/2013 Breines D14/189
D696,298 S * 12/2013 Britt, Jr. D14/496

FOREIGN PATENT DOCUMENTS

CN 200830155991.6 10/2008
CN 200930224365.2 11/2009
CN 201230057137.2 3/2012
EM 000806823-0002 10/2007
JP 1382955 7/2009
RU 00070401 10/2007

* cited by examiner

Primary Examiner — Ian Simmons

Assistant Examiner — Janice Lim

(74) *Attorney, Agent, or Firm* — Renner, Otto, Boisselle
& Sklar, LLP

(57) **CLAIM**

The ornamental design for a speaker, as shown and described.

DESCRIPTION

FIG. 1 is a perspective view of a speaker showing my new design.

FIG. 2 is a back view thereof.

FIG. 3 is a bottom plan view thereof.

FIG. 4 is a front view thereof.

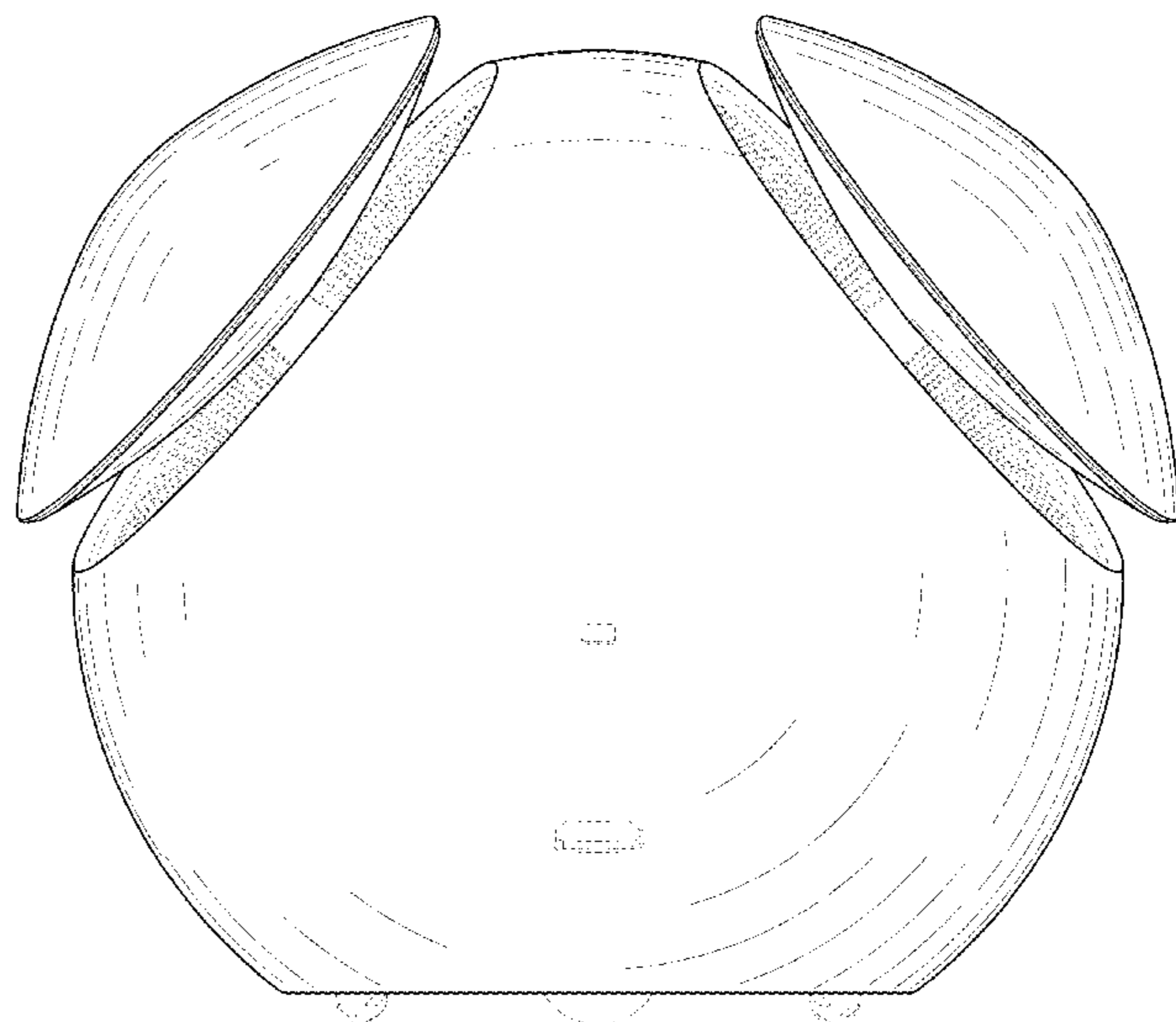
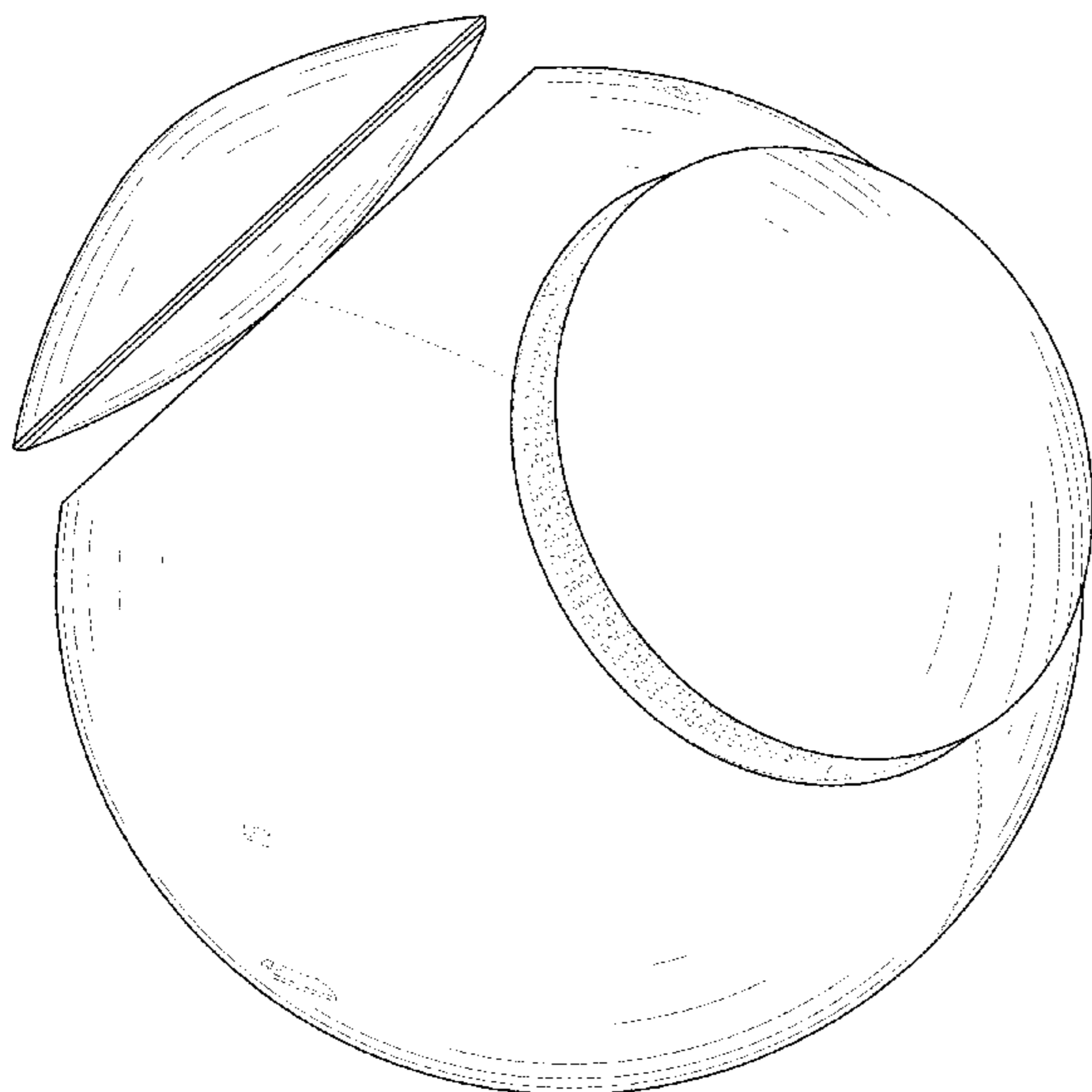
FIG. 5 is a left side view thereof.

FIG. 6 is a right side view thereof; and,

FIG. 7 is a top plan view thereof.

The broken line portions are included to show unclaimed subject matter only and form no part of the claimed design.

1 Claim, 7 Drawing Sheets



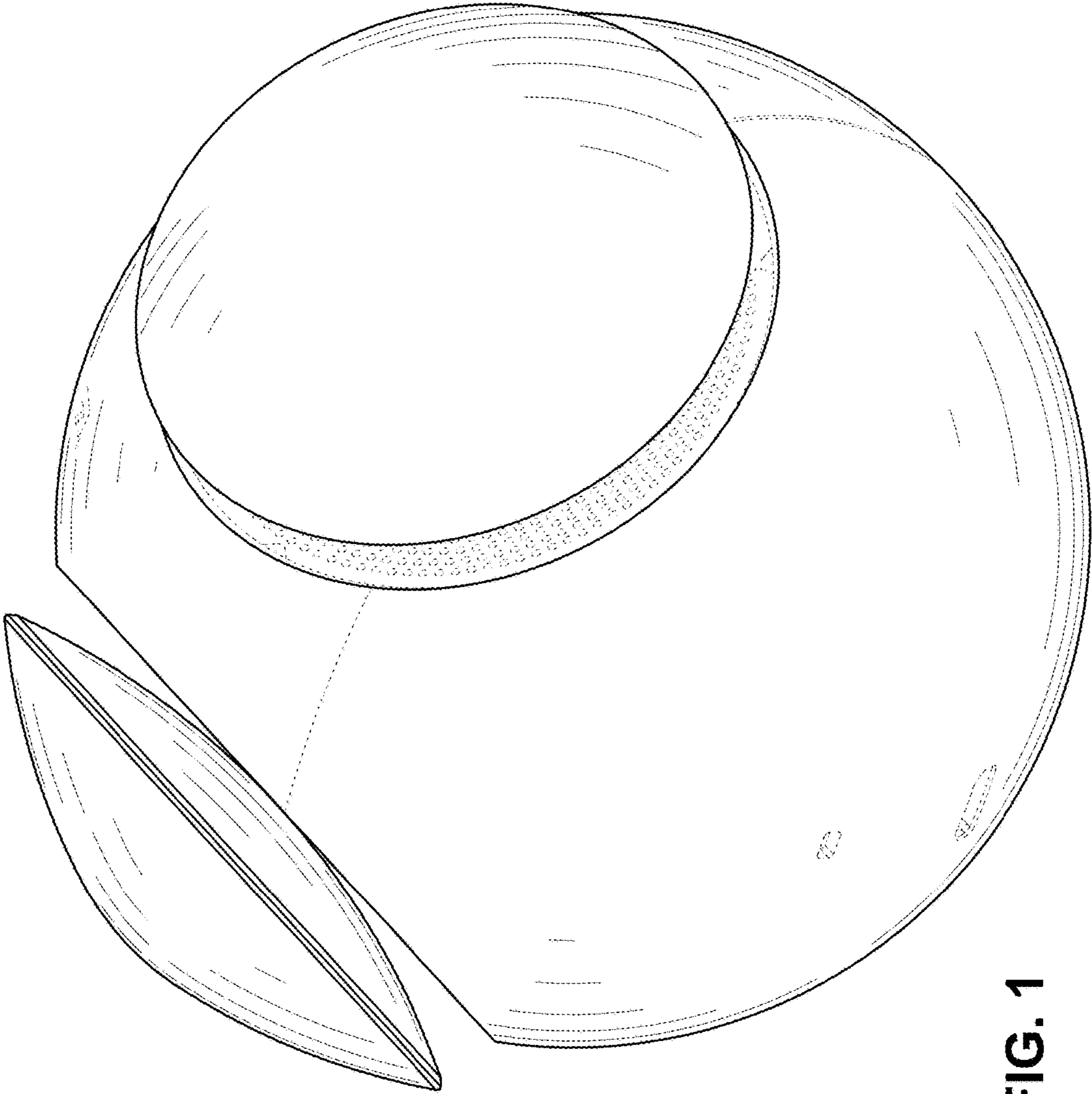


FIG. 1

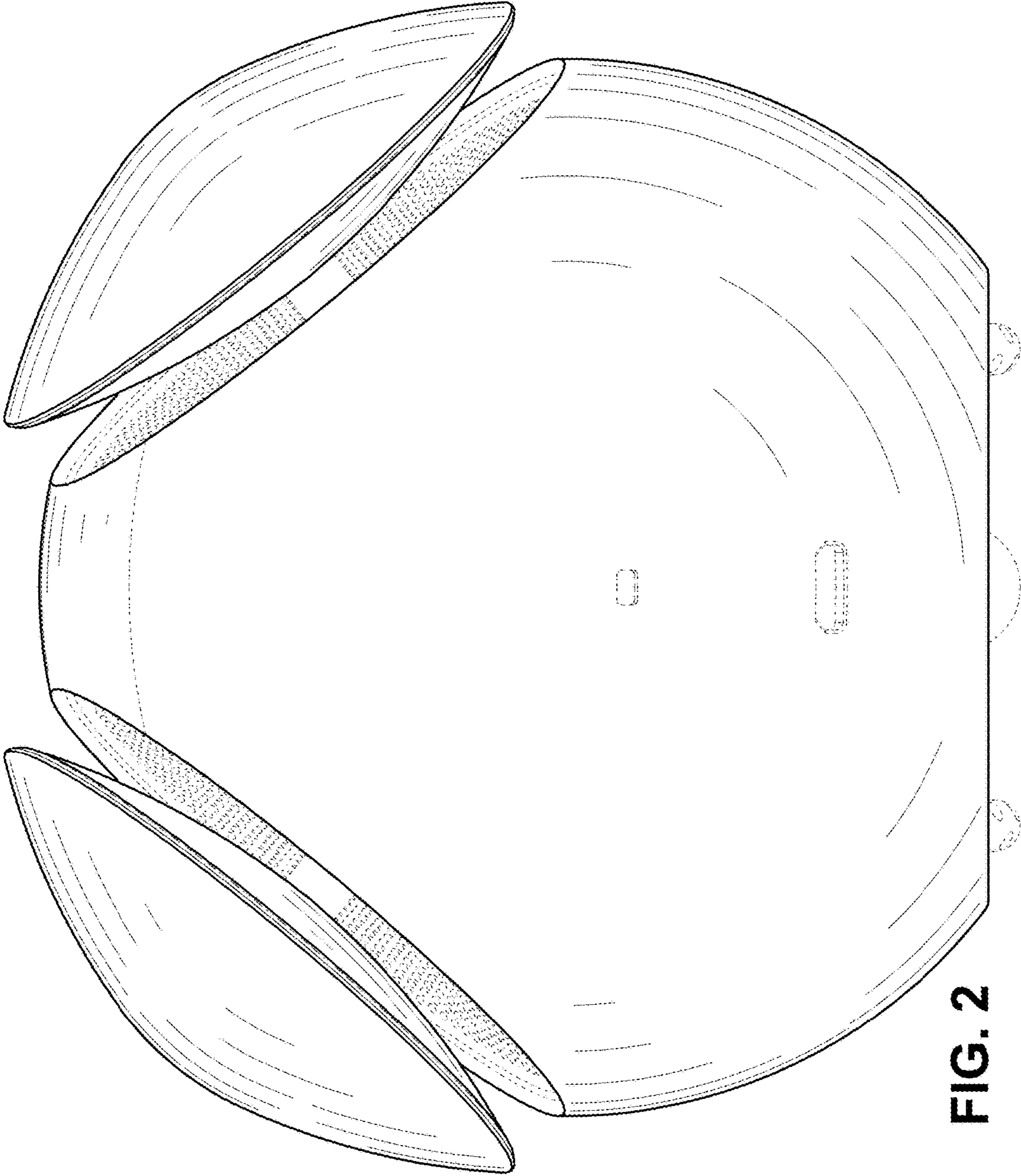
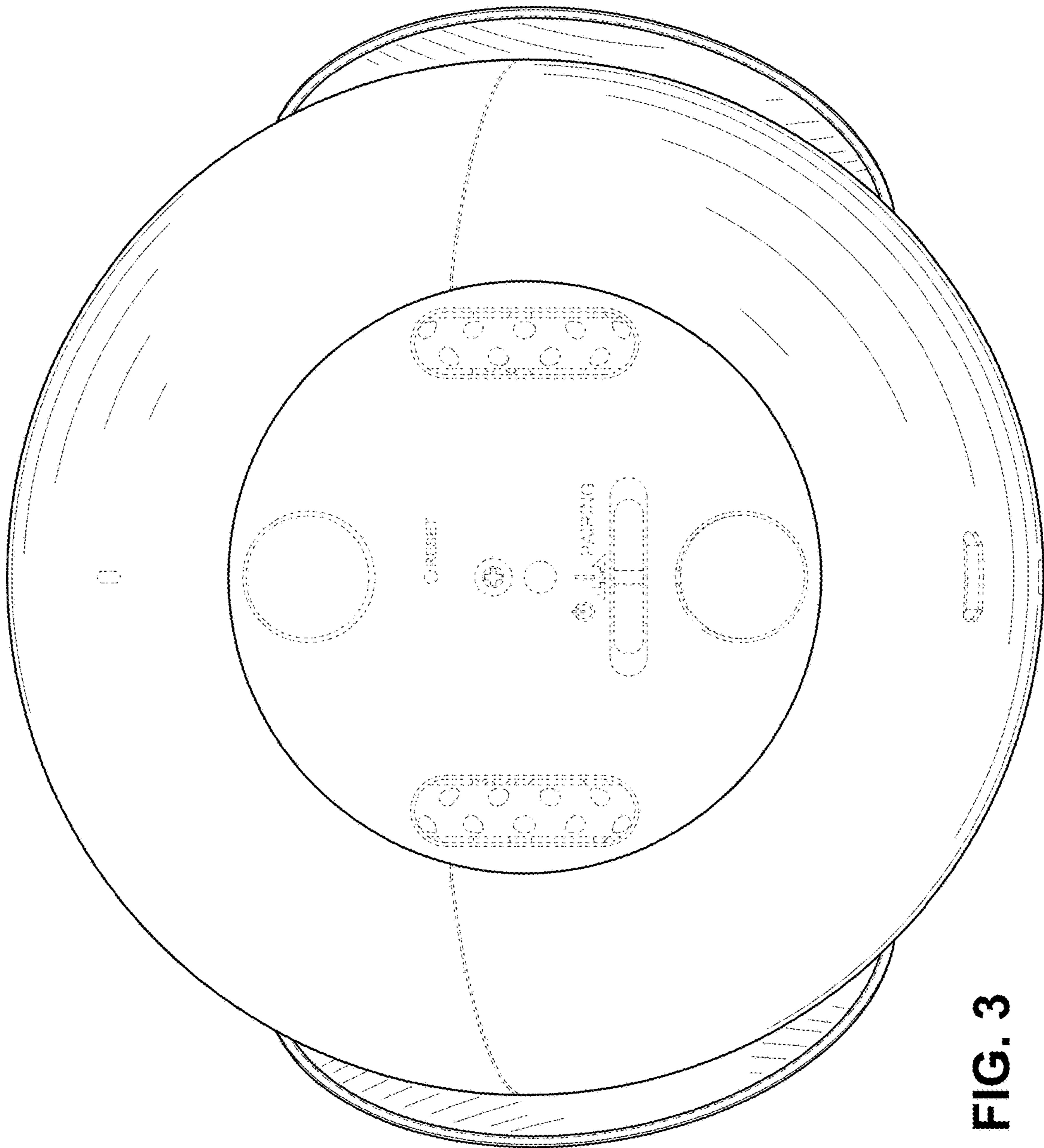


FIG. 2



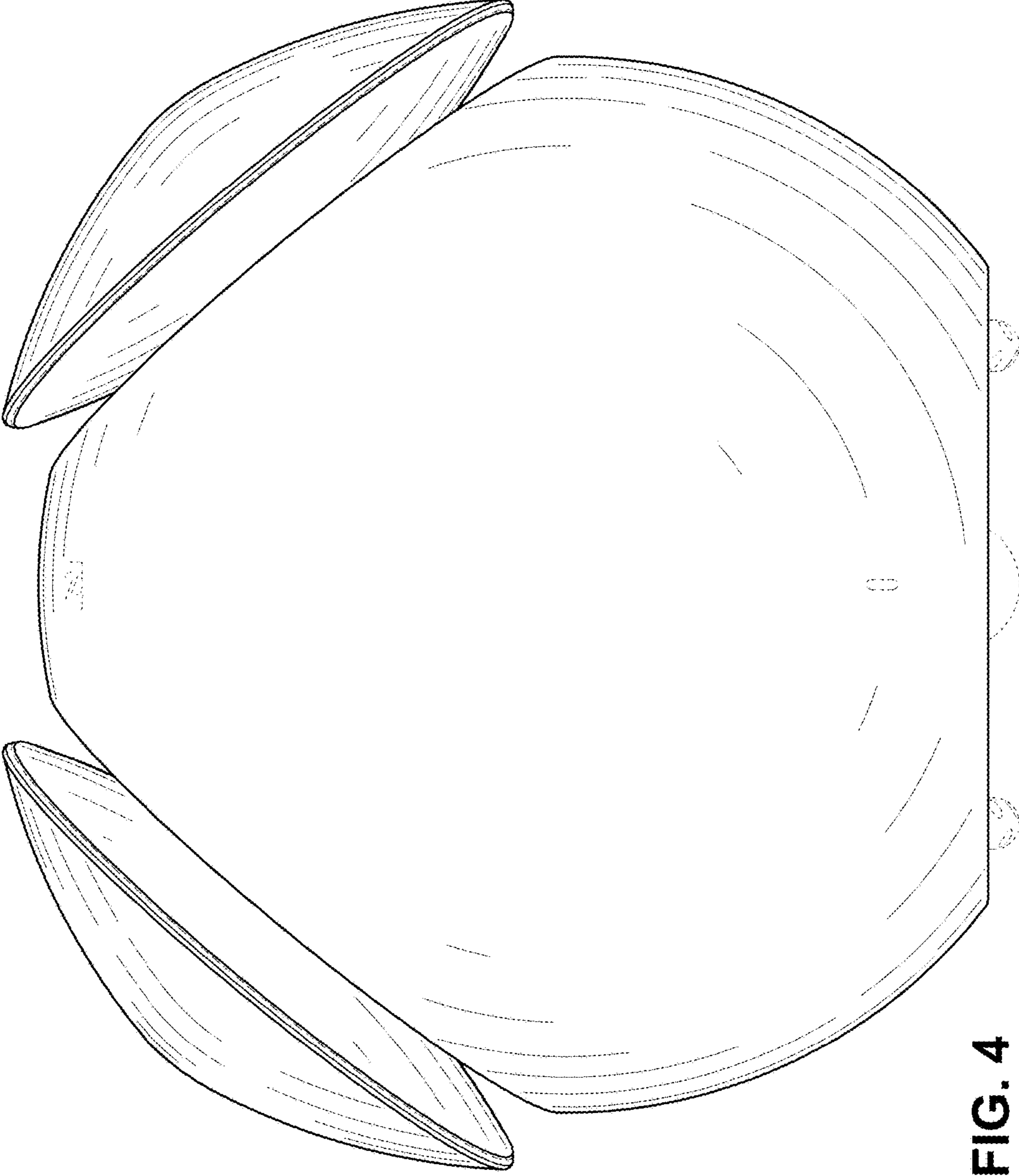


FIG. 4

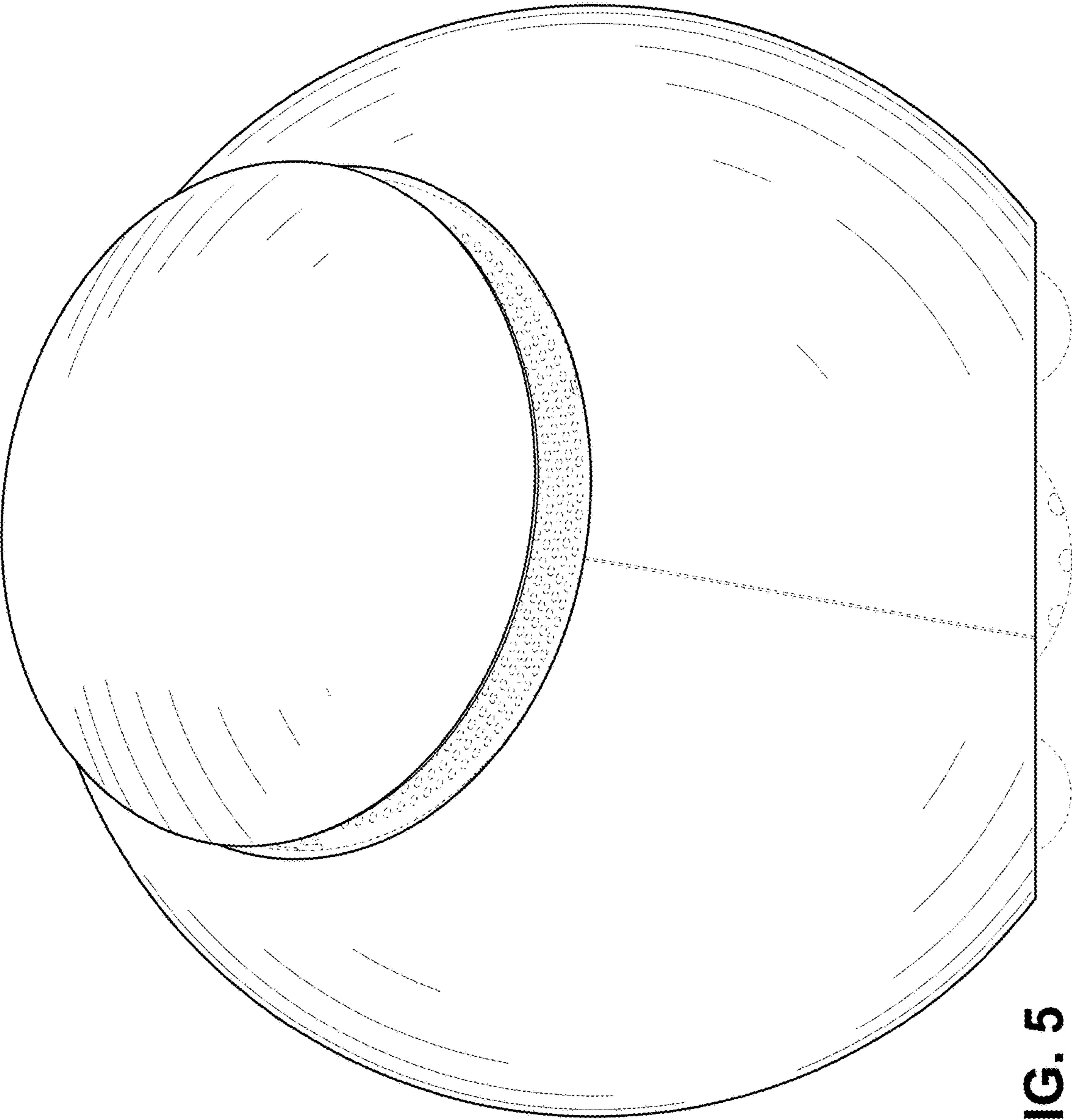


FIG. 5

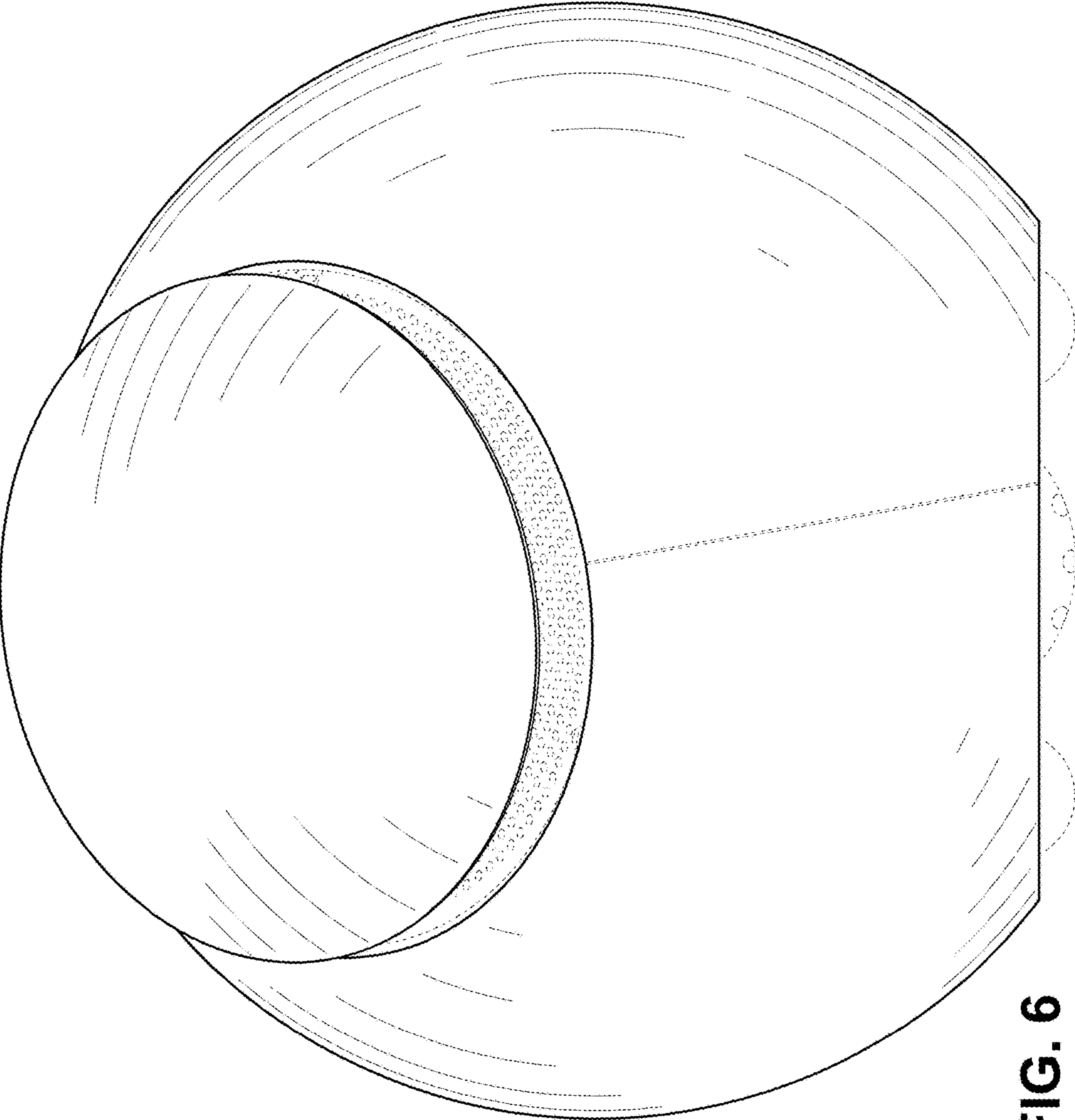


FIG. 6

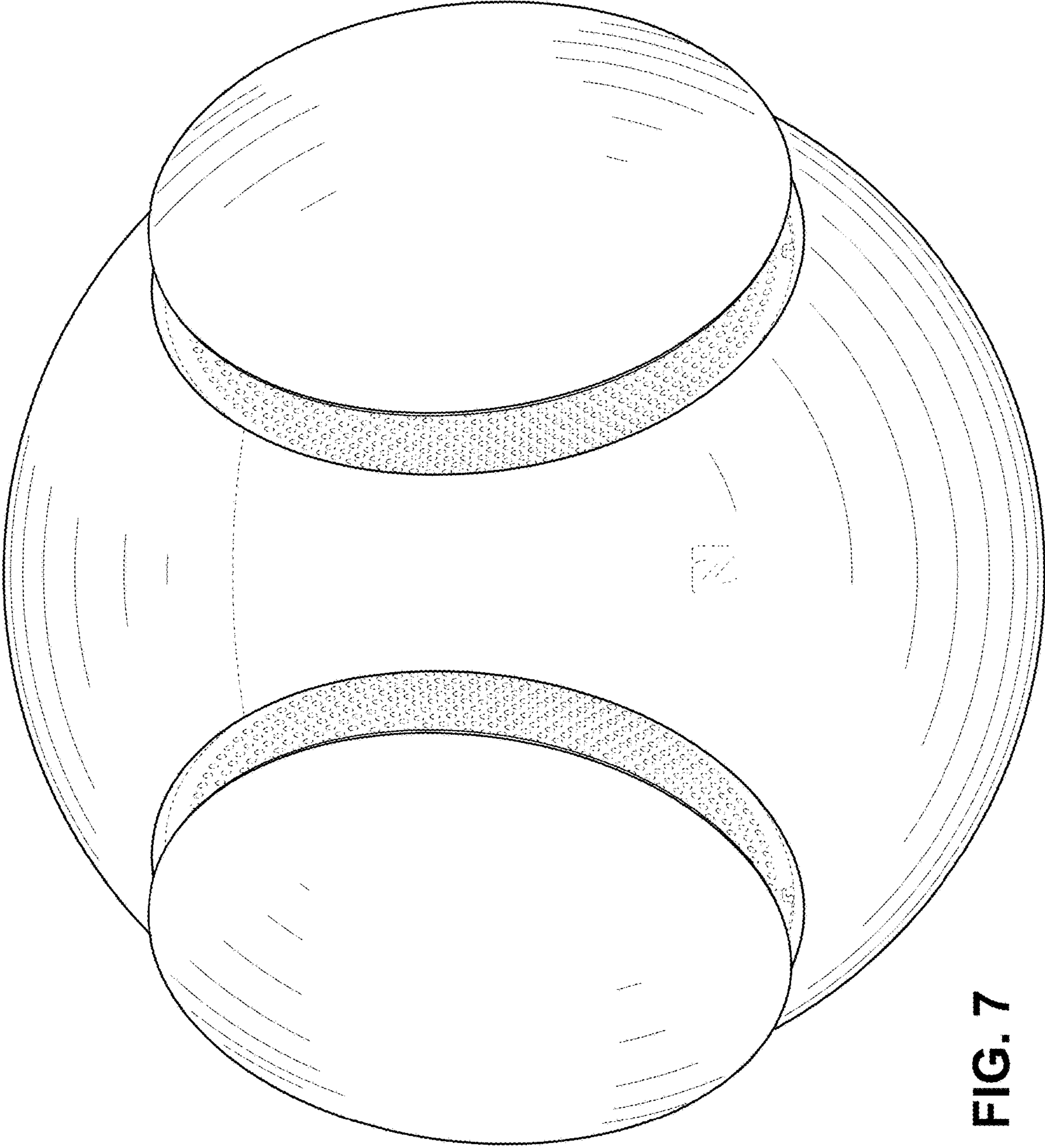


FIG. 7