



US00D790485S

(12) **United States Design Patent**  
**Engler et al.**

(10) **Patent No.:** **US D790,485 S**  
(45) **Date of Patent:** **\*\* Jun. 27, 2017**

- (54) **TIMER BLADE**
- (71) Applicants: **Kevin J. Engler**, St. Charles, IL (US);  
**James E. Pearson**, Downers Grove, IL (US); **Thomas J. Davern**, St. Charles, IL (US)
- (72) Inventors: **Kevin J. Engler**, St. Charles, IL (US);  
**James E. Pearson**, Downers Grove, IL (US); **Thomas J. Davern**, St. Charles, IL (US)

3,308,256 A	3/1967	Carlyle	
3,790,726 A	2/1974	Brown	
RE29,158 E	3/1977	Cartier et al.	
4,531,028 A *	7/1985	Stout	H01H 43/026 200/38 B
4,604,504 A	8/1986	Stout et al.	
4,677,260 A *	6/1987	Nagasaki	H01H 43/026 200/19.13
4,888,457 A	12/1989	Miyakawa	
5,166,481 A *	11/1992	Helft	H01H 1/06 200/38 B
5,834,718 A	11/1998	Amonett	
D761,743 S *	7/2016	Engler	D13/175

(73) Assignee: **Robertshaw Controls Company**, Itasca, IL (US)

\* cited by examiner

(\*\*) Term: **15 Years**

*Primary Examiner* — Selina Sikder

(21) Appl. No.: **29/554,924**

(74) *Attorney, Agent, or Firm* — Reinhart Boerner Van Deuren P.C.

(22) Filed: **Feb. 17, 2016**

(57) **CLAIM**

We claim the ornamental design for the timer blade, as shown and described.

**Related U.S. Application Data**

**DESCRIPTION**

- (62) Division of application No. 29/499,780, filed on Aug. 19, 2014.
- (51) **LOC (10) Cl.** ..... **13-03**
- (52) **U.S. Cl.**  
USPC ..... **D13/175**
- (58) **Field of Classification Search**  
USPC ..... D13/173, 175, 199; 200/38 B, 38 R  
CPC ..... H01H 43/026  
See application file for complete search history.

FIG. 1 is a perspective view of the timer blade;  
 FIG. 2 is another perspective view thereof;  
 FIG. 3 is a top view thereof;  
 FIG. 4 is a bottom view thereof;  
 FIG. 5 is a front view thereof;  
 FIG. 6 is a back view thereof;  
 FIG. 7 is a side view thereof; and,  
 FIG. 8 is a side view thereof showing the side opposite that shown in FIG. 7.

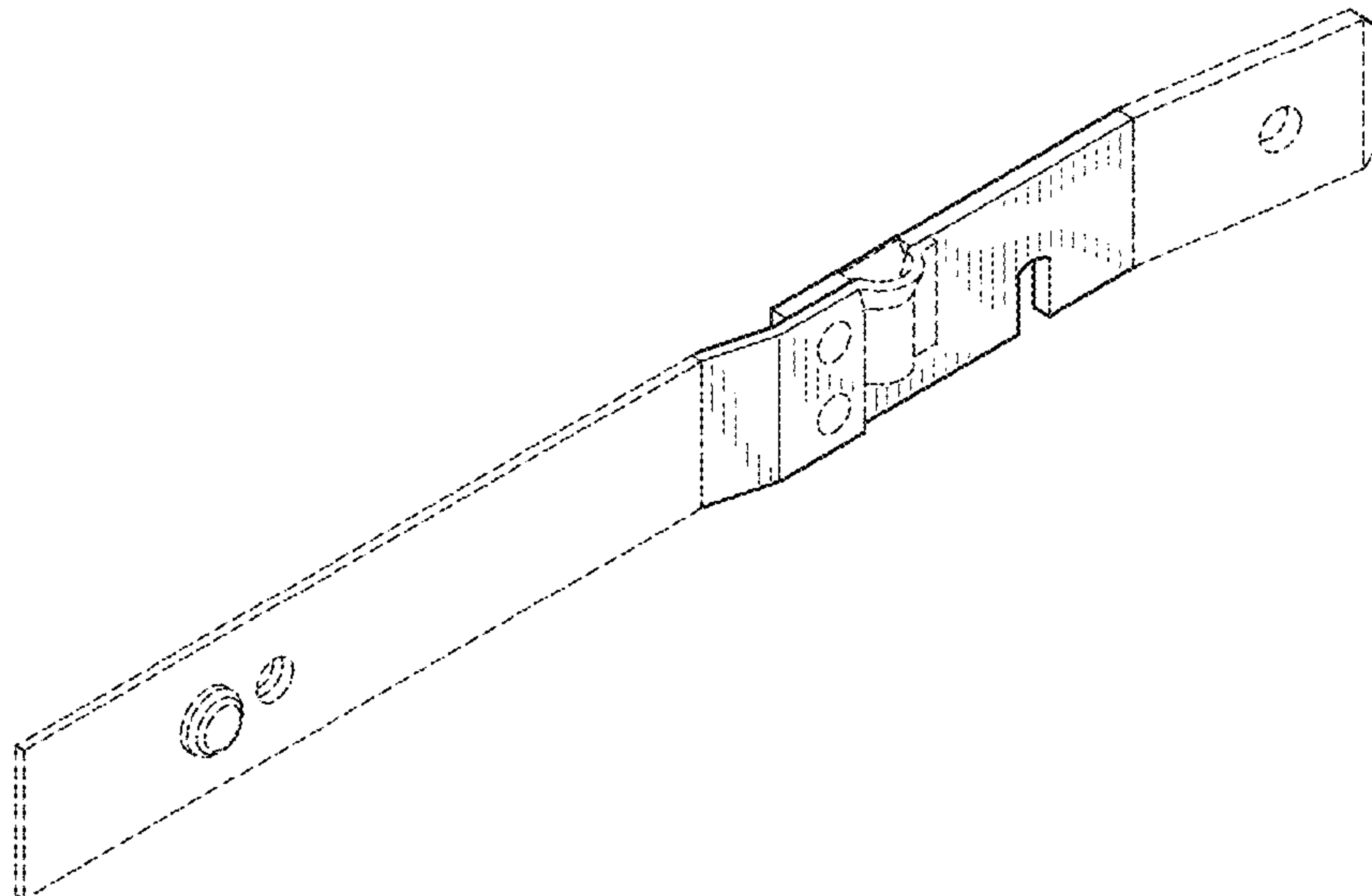
(56) **References Cited**

The broken line showing of portions of the timer blade is for purposes of illustrating unclaimed portions thereof.  
 The broken lines consisting of long and short lines together are boundary lines that represent boundaries of the claimed design and form no part thereof.

**U.S. PATENT DOCUMENTS**

D27,097 S	5/1897	Hill
2,285,210 A	9/1940	Kempton
D138,283 S	7/1944	Ransome
2,758,181 A	8/1956	Crouch

**1 Claim, 3 Drawing Sheets**



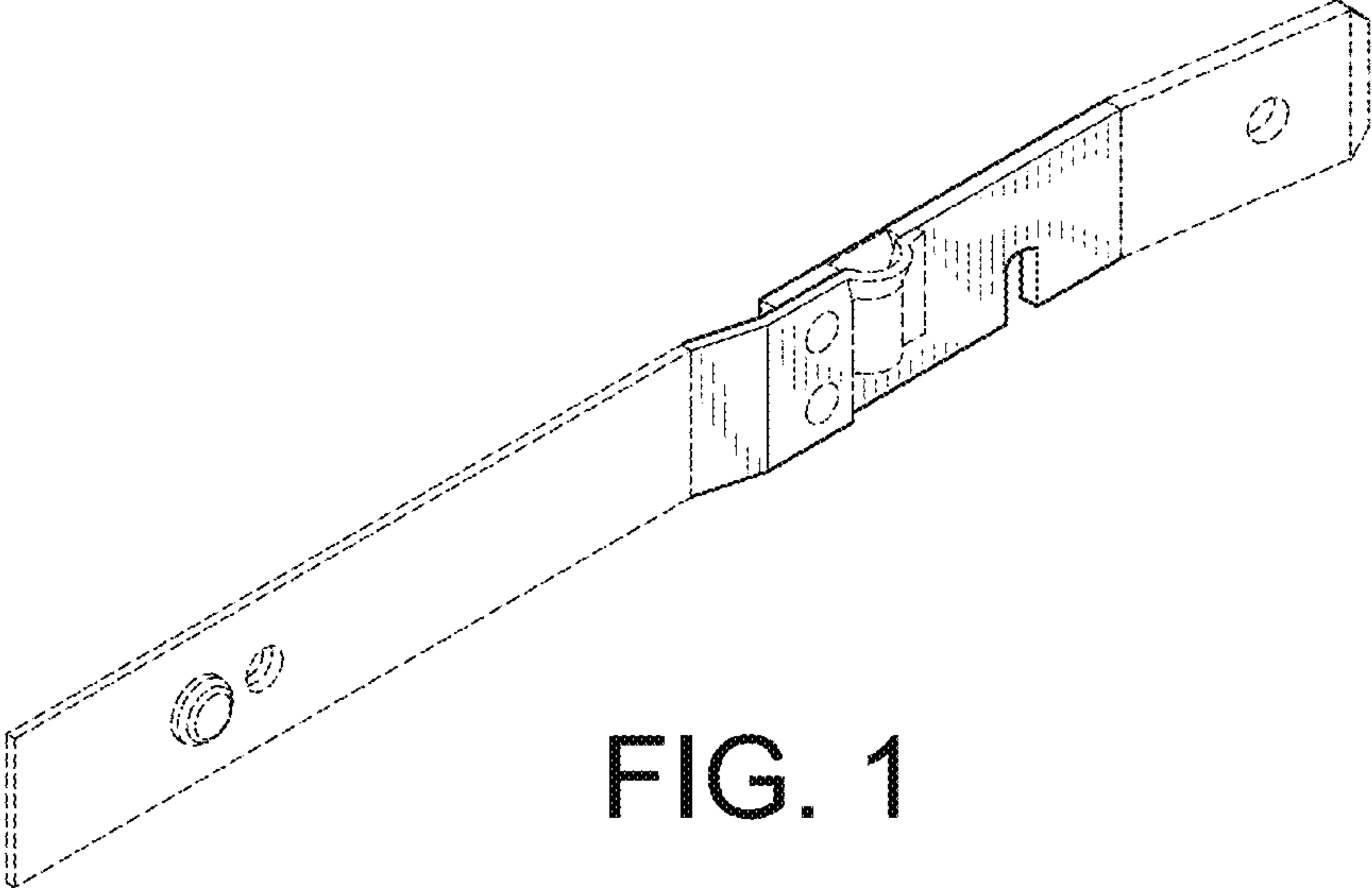


FIG. 1

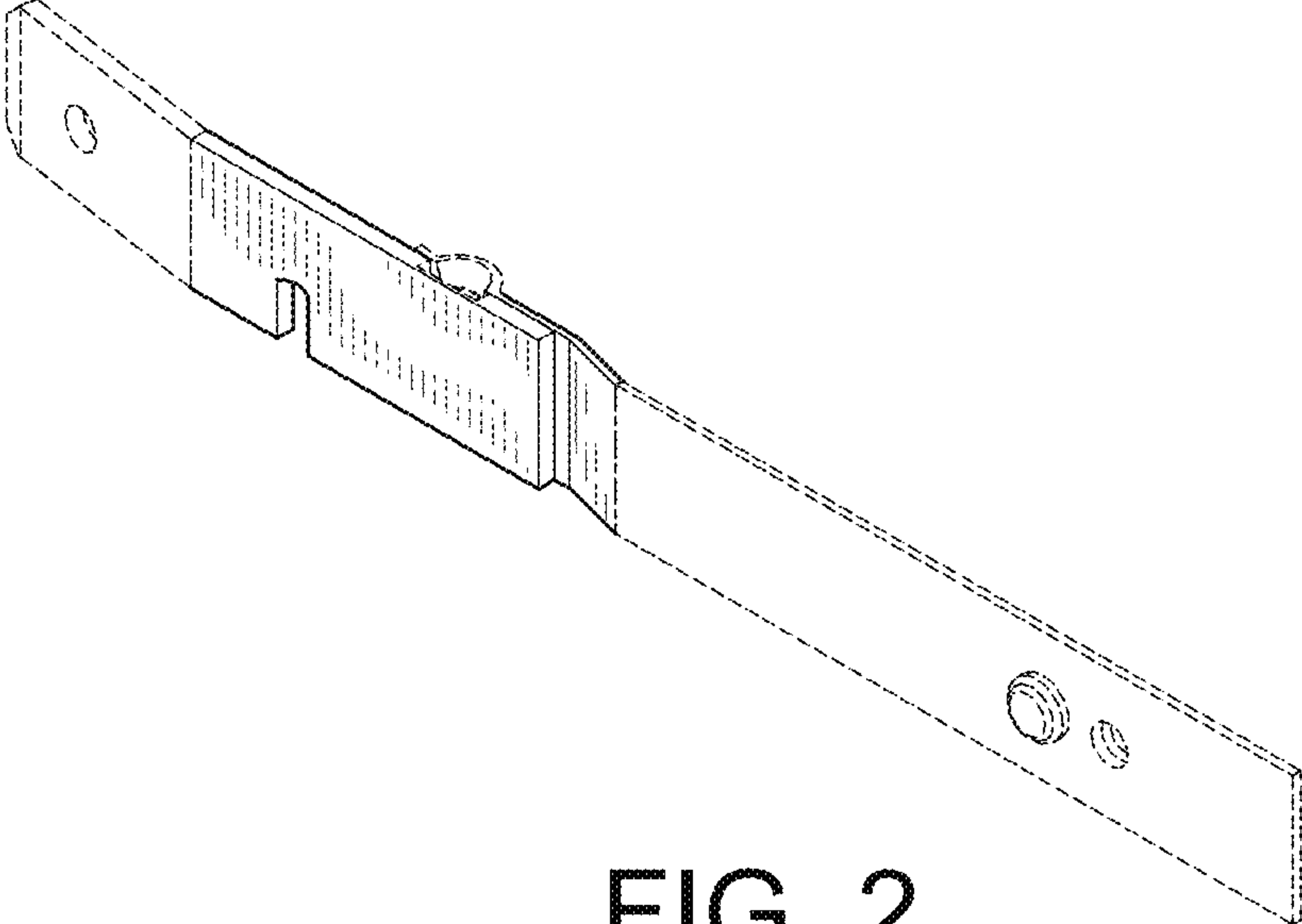


FIG. 2

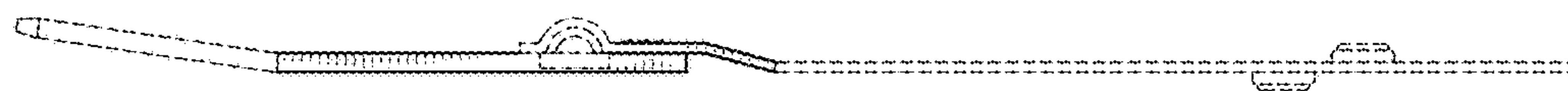


FIG. 3

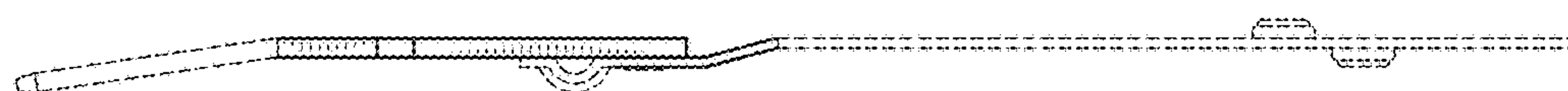


FIG. 4



FIG. 5



FIG. 6



FIG. 7

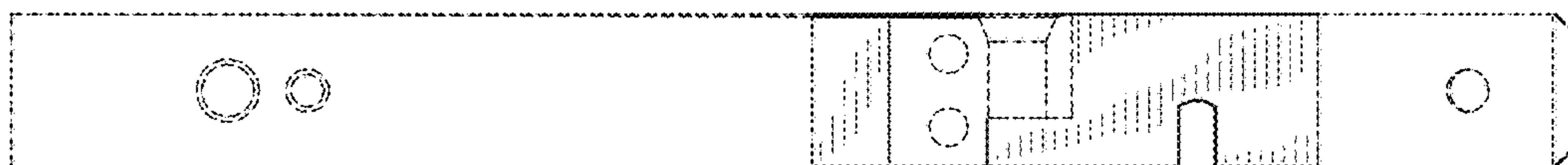


FIG. 8