



US00D790483S

(12) **United States Design Patent**
Yoon

(10) **Patent No.:** **US D790,483 S**
(45) **Date of Patent:** **** Jun. 27, 2017**

(54) **REMOTE CONTROLLER FOR INDUSTRIAL ROBOT**

(71) Applicant: **Life Robotics Inc.**, Tokyo (JP)

(72) Inventor: **Woo-Keun Yoon**, Tokyo (JP)

(73) Assignee: **Life Robotics Inc.**, Tokyo (JP)

(**) Term: **15 Years**

(21) Appl. No.: **29/565,578**

(22) Filed: **May 23, 2016**

(30) **Foreign Application Priority Data**

Nov. 24, 2015 (JP) 2015-026214

(51) **LOC (10) Cl.** **14-03**

(52) **U.S. Cl.**
USPC **D13/168**

(58) **Field of Classification Search**
USPC D13/162, 164, 168; D14/412, 417, 218;
D21/333, 566
CPC H03J 1/0025; H03J 9/00; H03J 9/02; H03J
9/04; H03J 9/06; H01H 9/0235; H04B
1/202; G08C 17/00; G08C 17/02; G08C
23/04; G05B 19/427; G05B 2219/35438;
G05G 9/02047; G06F 3/03549

See application file for complete search history.

(56) **References Cited**

U.S. PATENT DOCUMENTS

4,739,128 A * 4/1988 Grisham A63F 13/06
200/6 A
D307,415 S * 4/1990 Holmer D13/164
D328,463 S * 8/1992 King D14/218
D331,058 S * 11/1992 Morales D14/218
D368,901 S * 4/1996 Currid D14/417
5,512,892 A * 4/1996 Corballis G06F 3/0346
273/148 R

6,518,952 B1 * 2/2003 Leiper G06F 19/3406
345/156
D540,882 S * 4/2007 Crook D14/412
RE40,324 E * 5/2008 Crawford G06F 3/03549
345/156
D570,792 S * 6/2008 Leung D13/168
D587,713 S * 3/2009 Sutton D14/412
D594,066 S * 6/2009 Oikawa D14/412
D594,067 S * 6/2009 Oikawa D14/412
D611,914 S * 3/2010 Chiang D13/164
7,681,340 B2 * 3/2010 Treuthardt E01H 5/00
200/6 A
7,798,278 B2 * 9/2010 Tesinsky E01H 5/066
180/333
8,010,234 B2 * 8/2011 Henne G05B 19/427
200/329
D645,046 S * 9/2011 Hobenshield D14/412
D662,478 S * 6/2012 Rantala D13/168
D667,380 S * 9/2012 Ishikawa D13/168
D691,217 S * 10/2013 Condon D21/566
8,550,915 B2 * 10/2013 Ashida A63F 13/02
345/156

(Continued)

Primary Examiner — Selina Sikder

(74) *Attorney, Agent, or Firm* — Nakanishi IP Associates, LLC

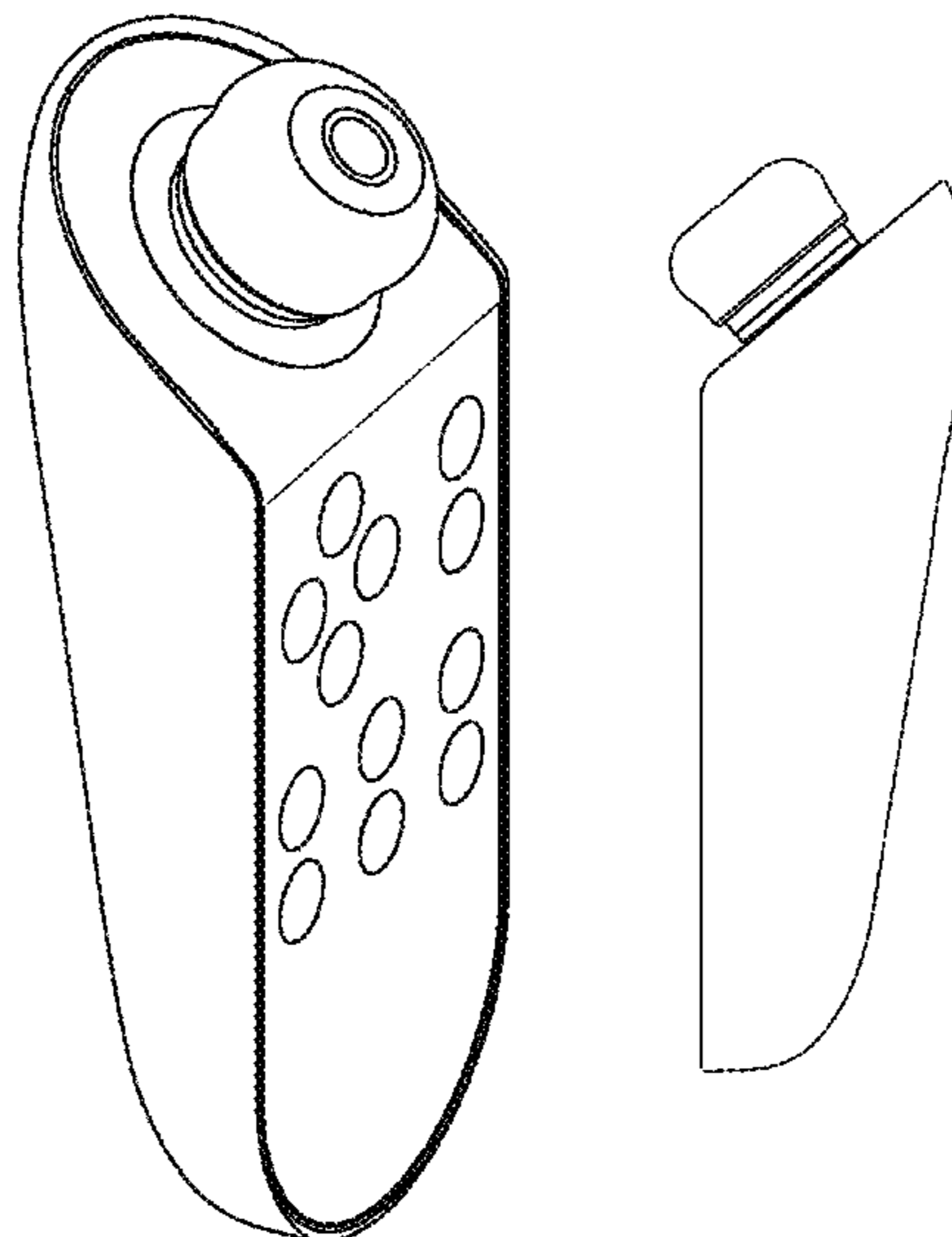
(57) **CLAIM**

The ornamental design for a remote controller for industrial robot, as shown and described.

DESCRIPTION

FIG. 1 is a front, top, and left side perspective view of a remote controller for an industrial robot;
FIG. 2 is a front elevation view thereof;
FIG. 3 is a rear elevation view thereof;
FIG. 4 is a top plan view thereof;
FIG. 5 is a bottom plan view thereof; and,
FIG. 6 is a right side elevation view thereof, the left side elevation view being a mirror image thereto.

1 Claim, 6 Drawing Sheets



(56)

References Cited

U.S. PATENT DOCUMENTS

D698,358 S *	1/2014	Beams	D14/412
D723,008 S *	2/2015	Kim	D14/218
8,978,276 B2 *	3/2015	Moon, Jr.	G08C 17/02 340/12.5
D776,091 S *	1/2017	Spio	D14/218
D779,487 S *	2/2017	Rothfuß	D13/168

* cited by examiner

Fig. 1

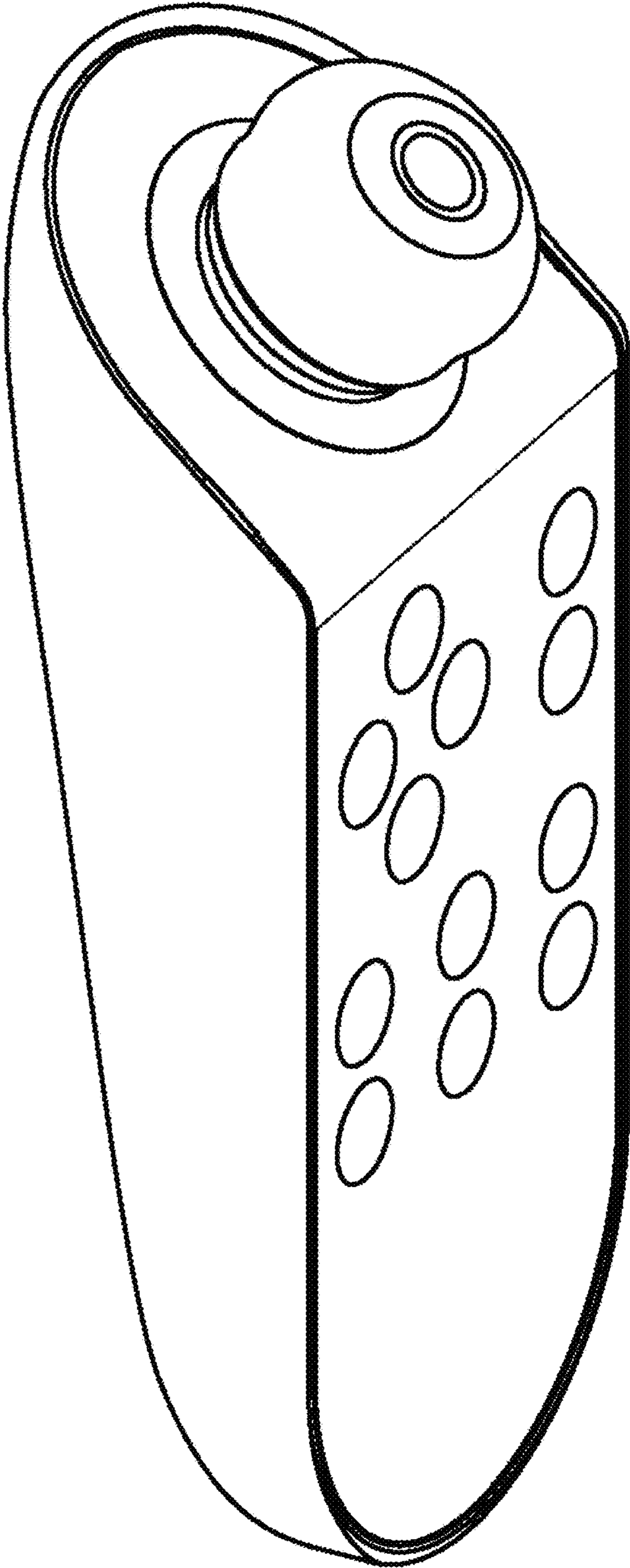


Fig. 2

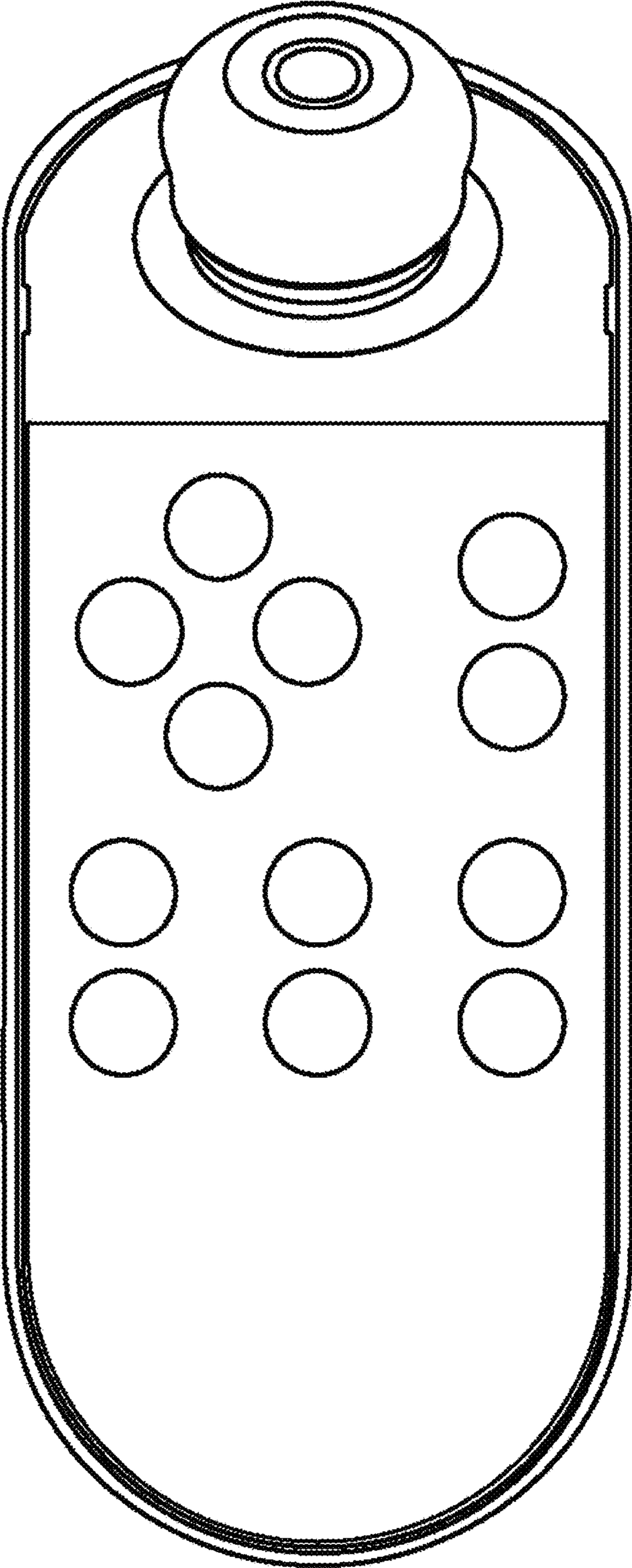


Fig. 3

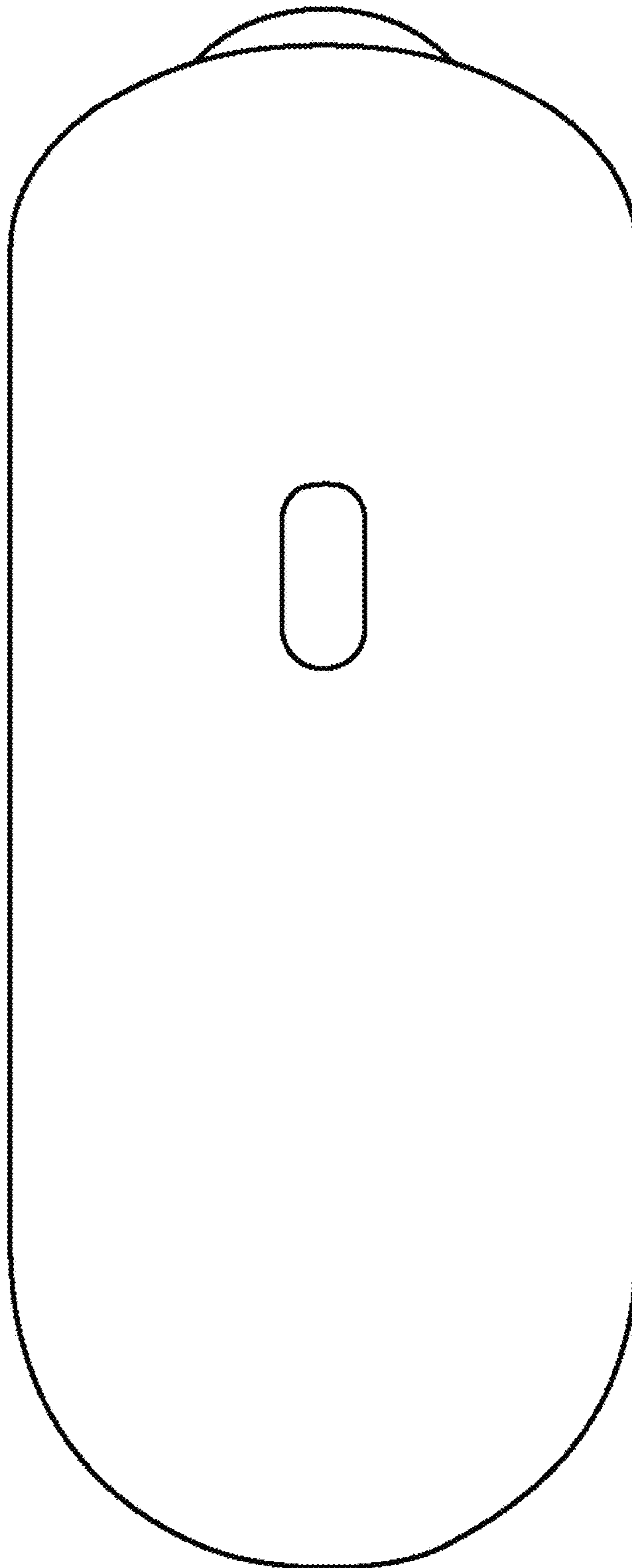


Fig. 4

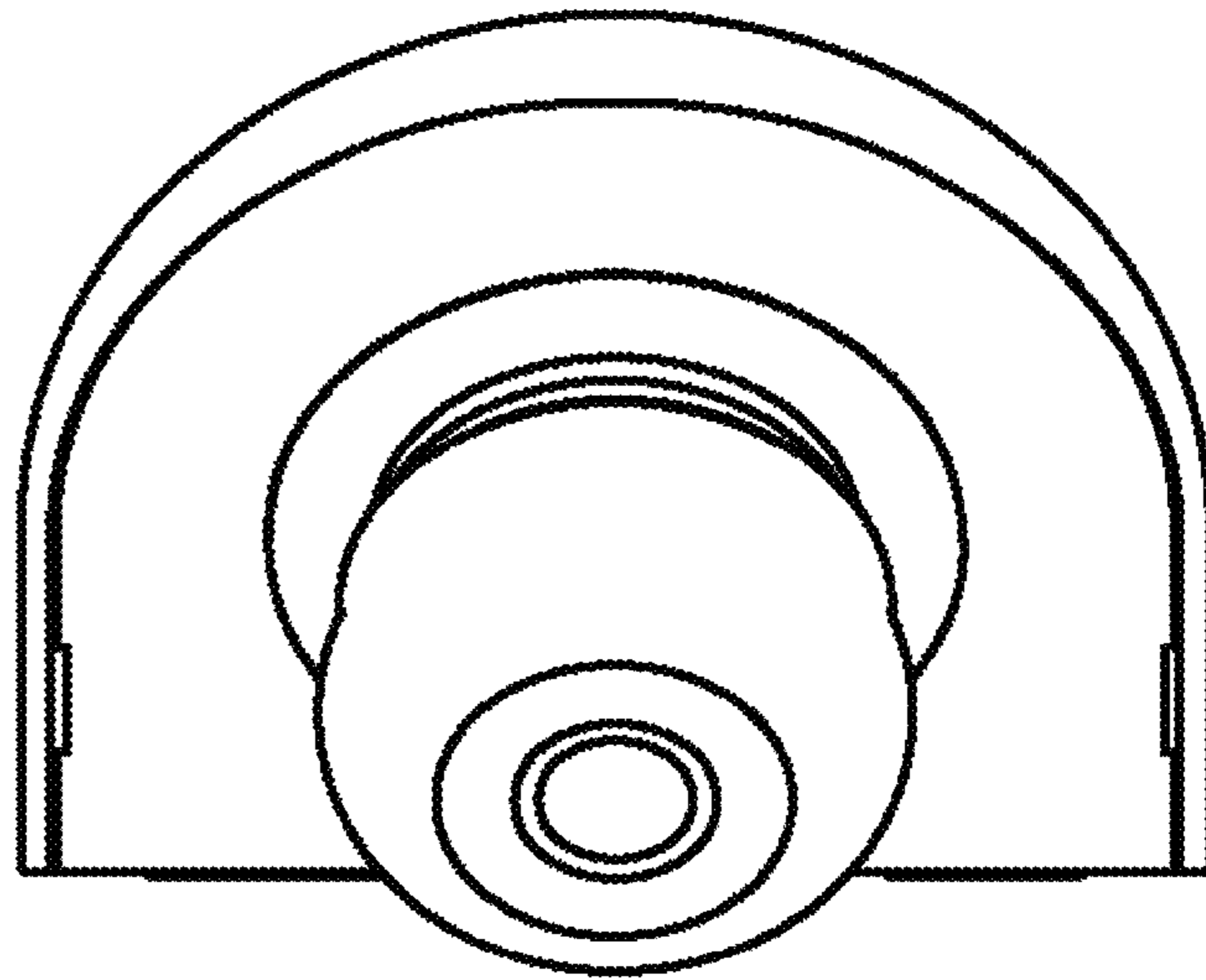


Fig. 5

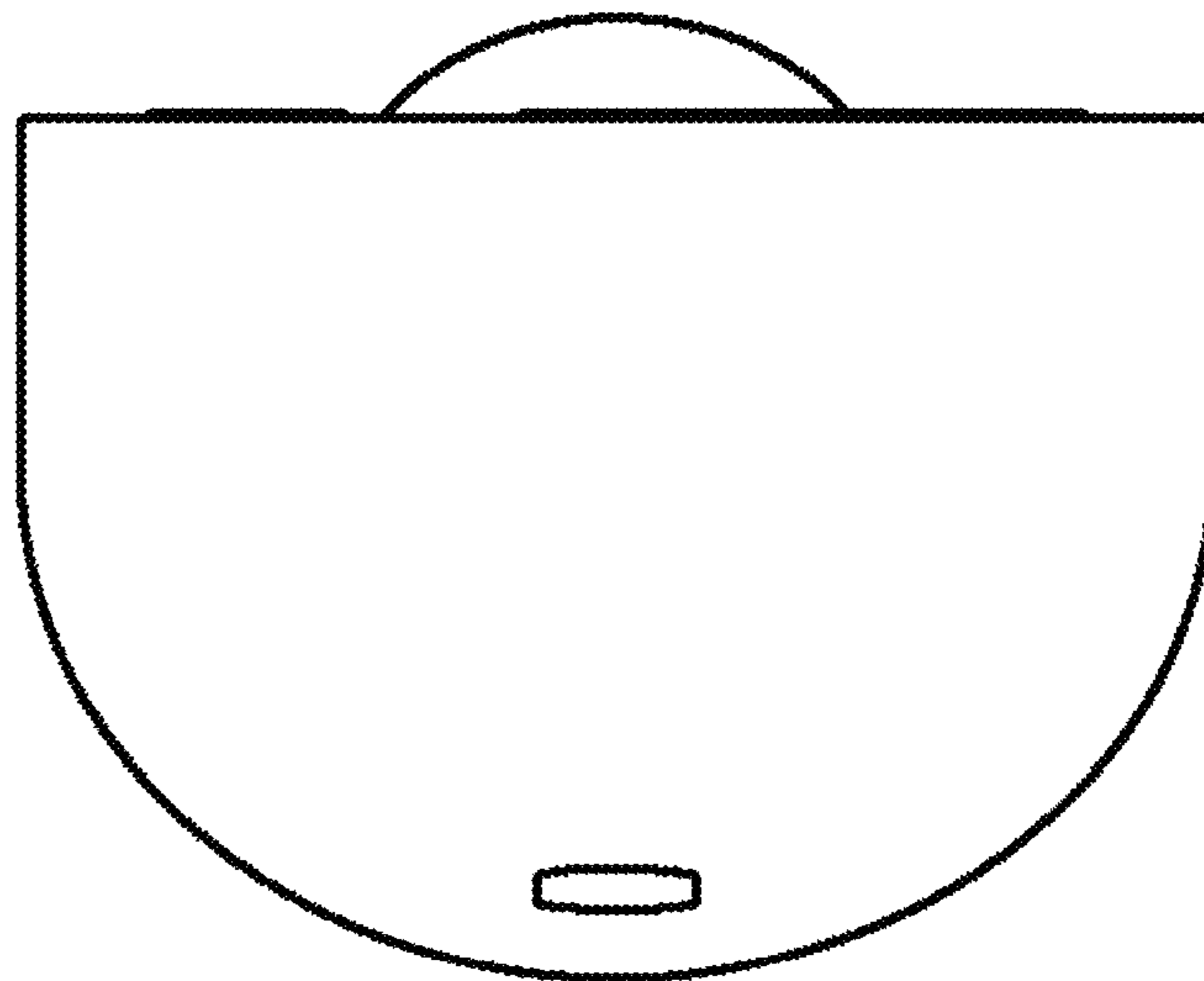


Fig. 6

